



US00D555669S

(12) **United States Design Patent**  
**Preston**

(10) **Patent No.:** **US D555,669 S**

(45) **Date of Patent:** **\*\* Nov. 20, 2007**

(54) **PUMP**

(75) **Inventor:** **Warren John Preston, Turrella (AU)**

(73) **Assignee:** **MacNaught Pty Ltd, New South Wales (AU)**

(\*\*) **Term:** **14 Years**

(21) **Appl. No.:** **29/250,802**

(22) **Filed:** **Dec. 1, 2006**

(30) **Foreign Application Priority Data**

Dec. 4, 2006 (AU) ..... 12481/2006

(51) **LOC (8) Cl.** ..... **15-02**

(52) **U.S. Cl.** ..... **D15/7**

(58) **Field of Classification Search** ..... D15/7-9;  
D23/232, 231; 417/359, 415-416, 410.1,  
417/321, 265, 405

See application file for complete search history.

(56) **References Cited**

**U.S. PATENT DOCUMENTS**

- D221,258 S \* 7/1971 Saddler ..... D15/7
- D271,493 S \* 11/1983 McMullen ..... D15/7
- D273,511 S \* 4/1984 Tanaka ..... D23/232
- D280,991 S \* 10/1985 Maruyama ..... D15/7
- D280,992 S \* 10/1985 Maruyama ..... D15/7
- D295,522 S \* 5/1988 Martin et al. .... D15/7
- D296,103 S \* 6/1988 Harvey ..... D15/7
- D299,720 S \* 2/1989 Yoo ..... D15/7
- D308,385 S \* 6/1990 Russold et al. .... D15/7
- D319,245 S \* 8/1991 Larson ..... D15/7
- D327,275 S \* 6/1992 Sheldon ..... D15/7

- D405,454 S \* 2/1999 Bowen ..... D15/7
- D456,819 S \* 5/2002 Sebion et al. .... D15/7
- D497,915 S \* 11/2004 Bowen ..... D15/7
- D526,664 S \* 8/2006 Bowen ..... D15/7

**OTHER PUBLICATIONS**

MacNaught Pty Ltd, MacNaught Lubrication & Greasing Equipment, catalog, 2004, pp. 16-30, NA180 Issue 3A, Sydney, Australia.  
MacNaught Pty Ltd, MacNaught Lubrication & Greasing Equipment, catalog, Jun. 2006, pp. 18-21, NA180 Issue 4A, Sydney, Australia.

PIUSI S.p.A., Hand Pump, Technical Spec 2007, pp. 1-2, Bulletin C1014, ML Rev. M, Mantova, Italy.

\* cited by examiner

*Primary Examiner*—Ralf Seifert

(74) *Attorney, Agent, or Firm*—King & Schickli, PLLC

(57) **CLAIM**

The ornamental design of a pump, as shown and described.

**DESCRIPTION**

FIG. 1 is a perspective view of a pump of the present invention;

FIG. 2 is a second perspective view thereof;

FIG. 3 is a side elevation view thereof;

FIG. 4 is a second side elevation view thereof;

FIG. 5 is a third side elevation view thereof;

FIG. 6 is a fourth side elevation view thereof;

FIG. 7 is a bottom view thereof; and,

FIG. 8 is a top plan view thereof.

**1 Claim, 2 Drawing Sheets**

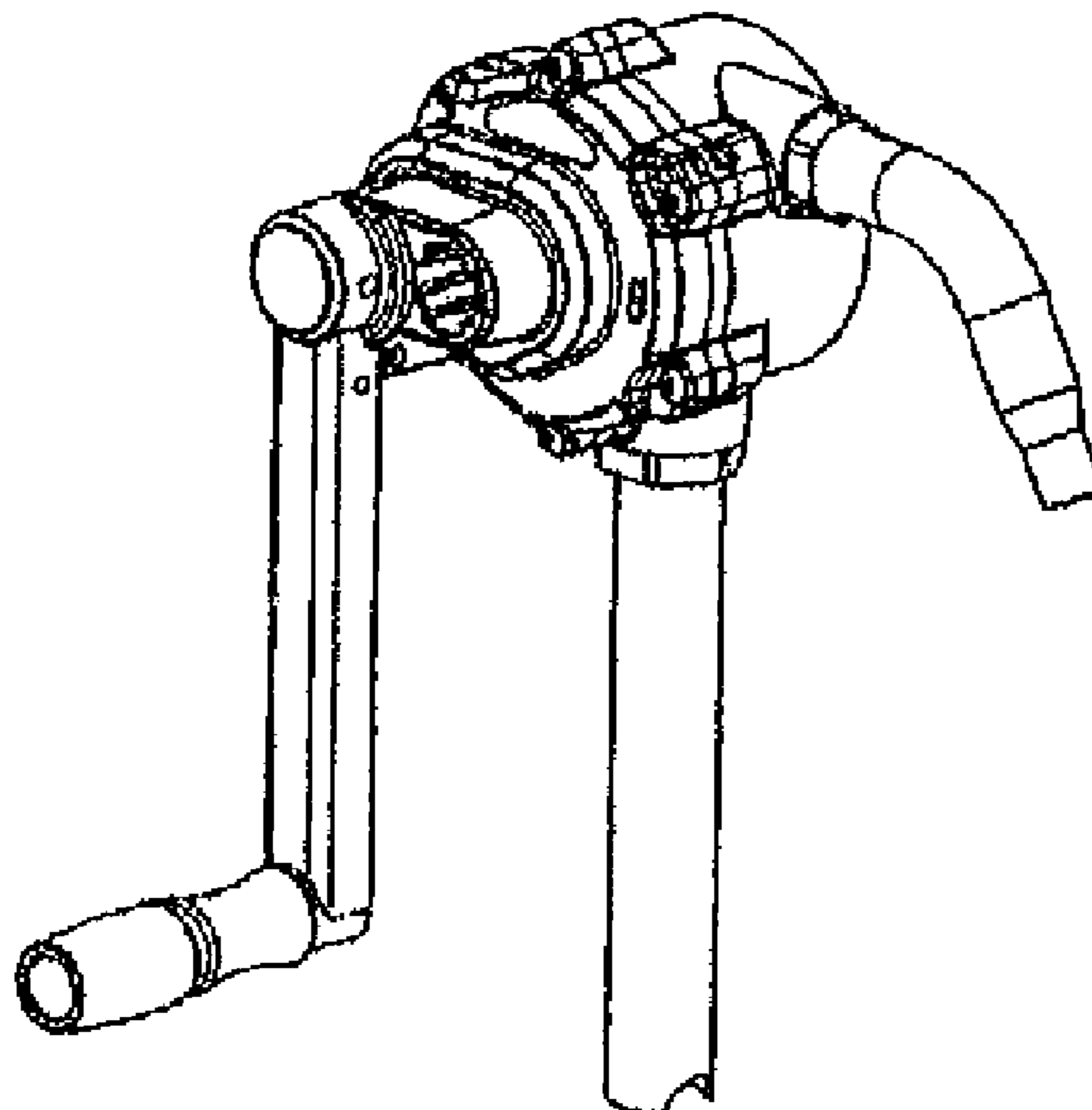


FIG 1

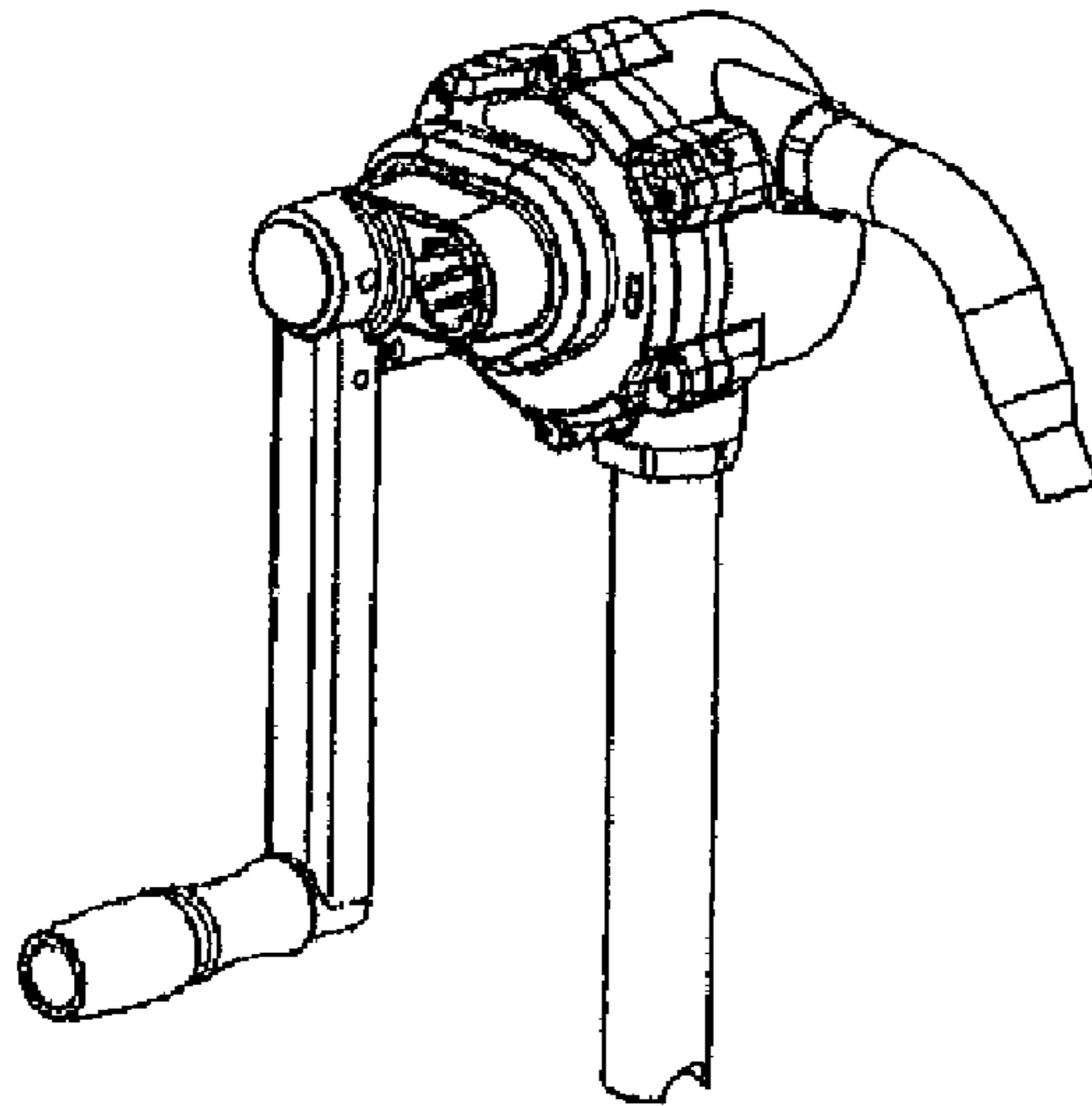


FIG 2

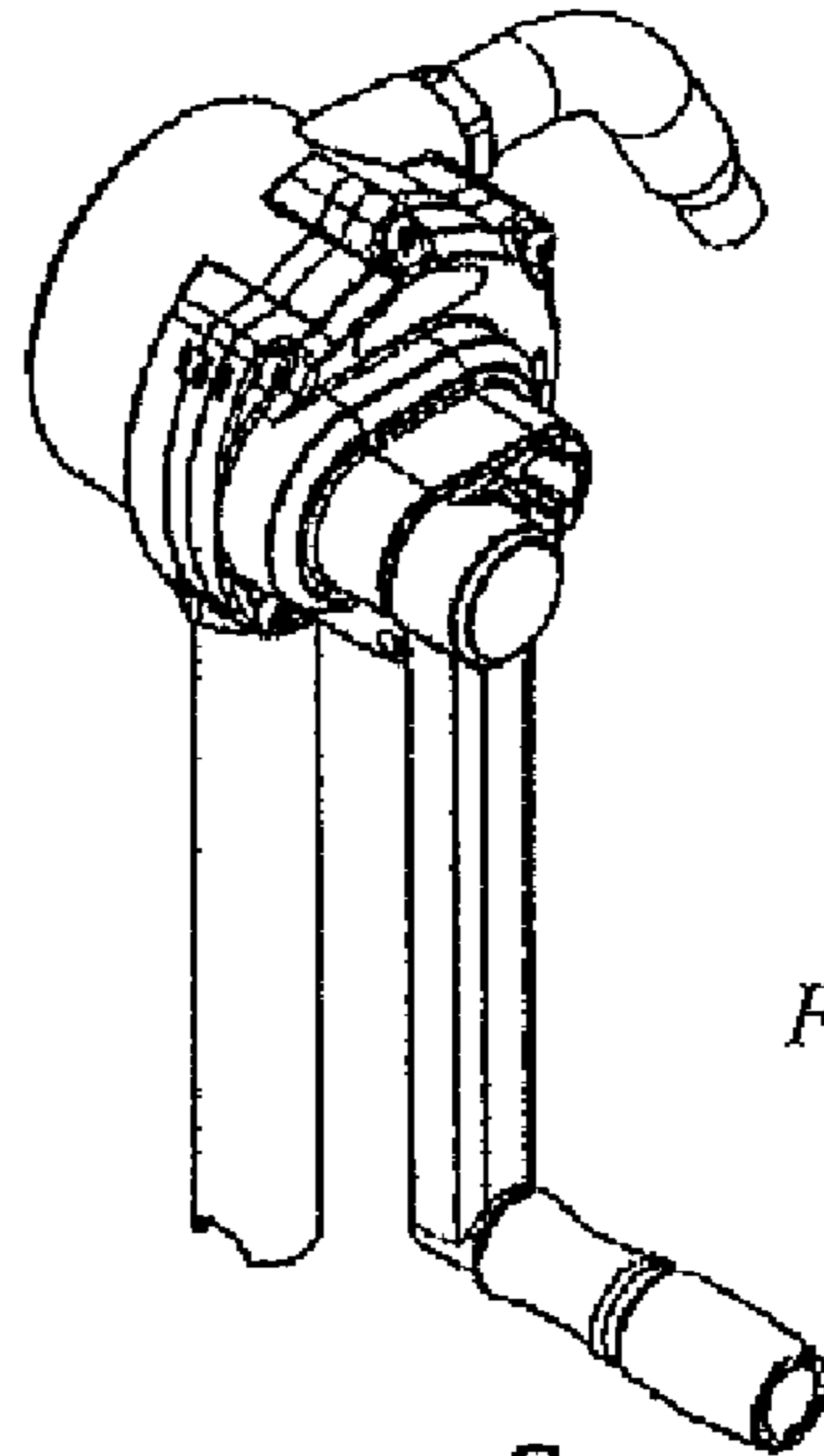


FIG 3

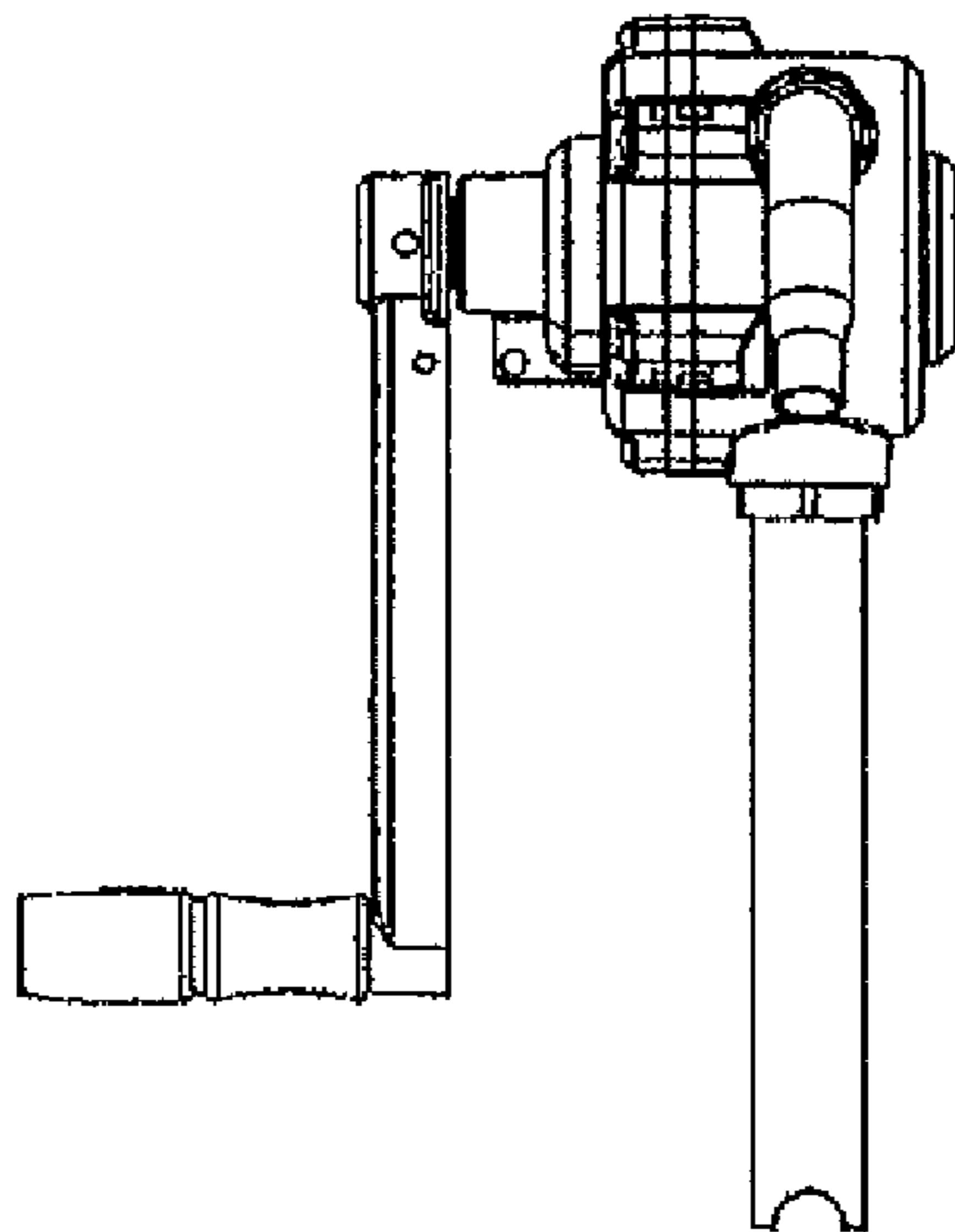
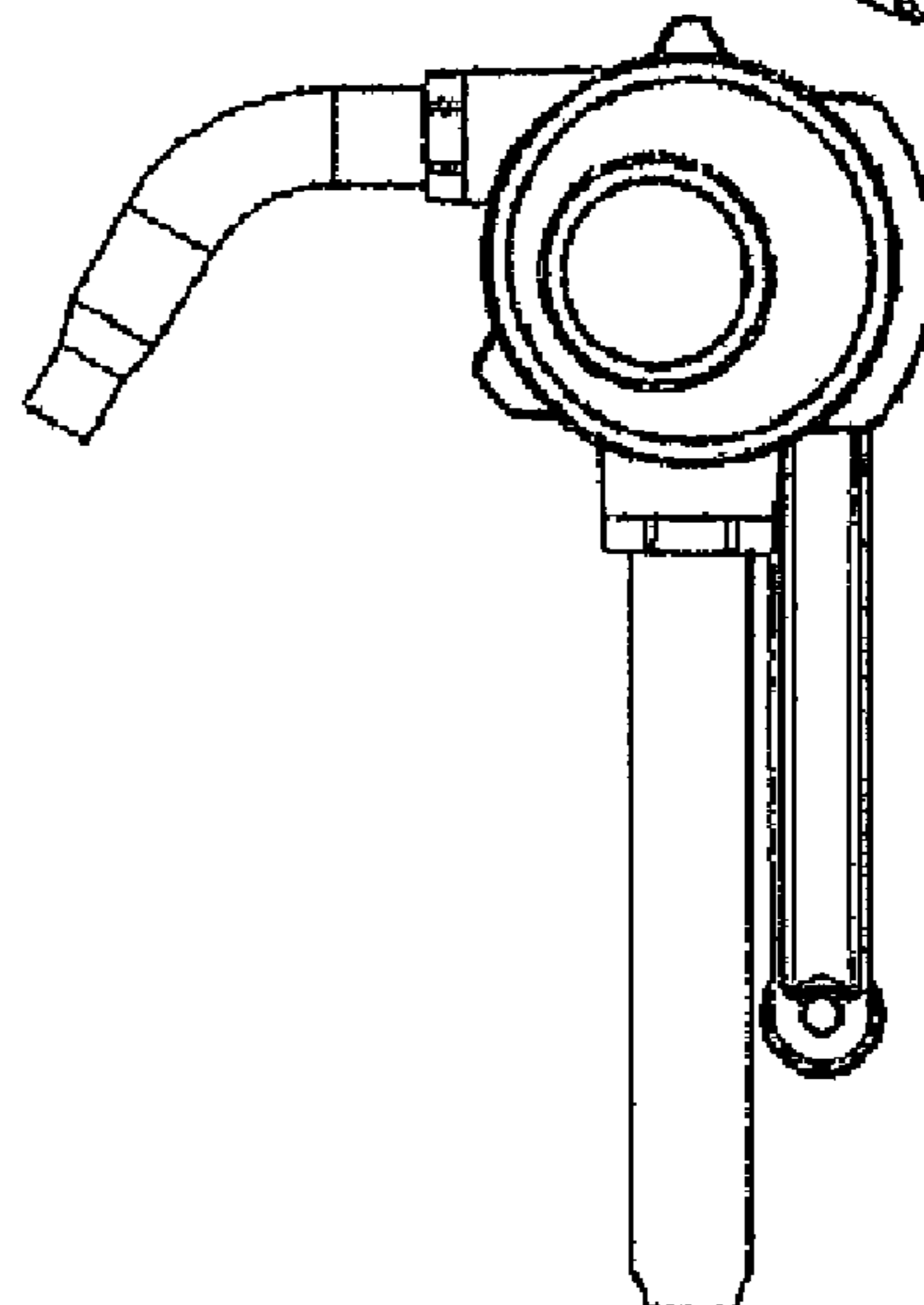


FIG 4



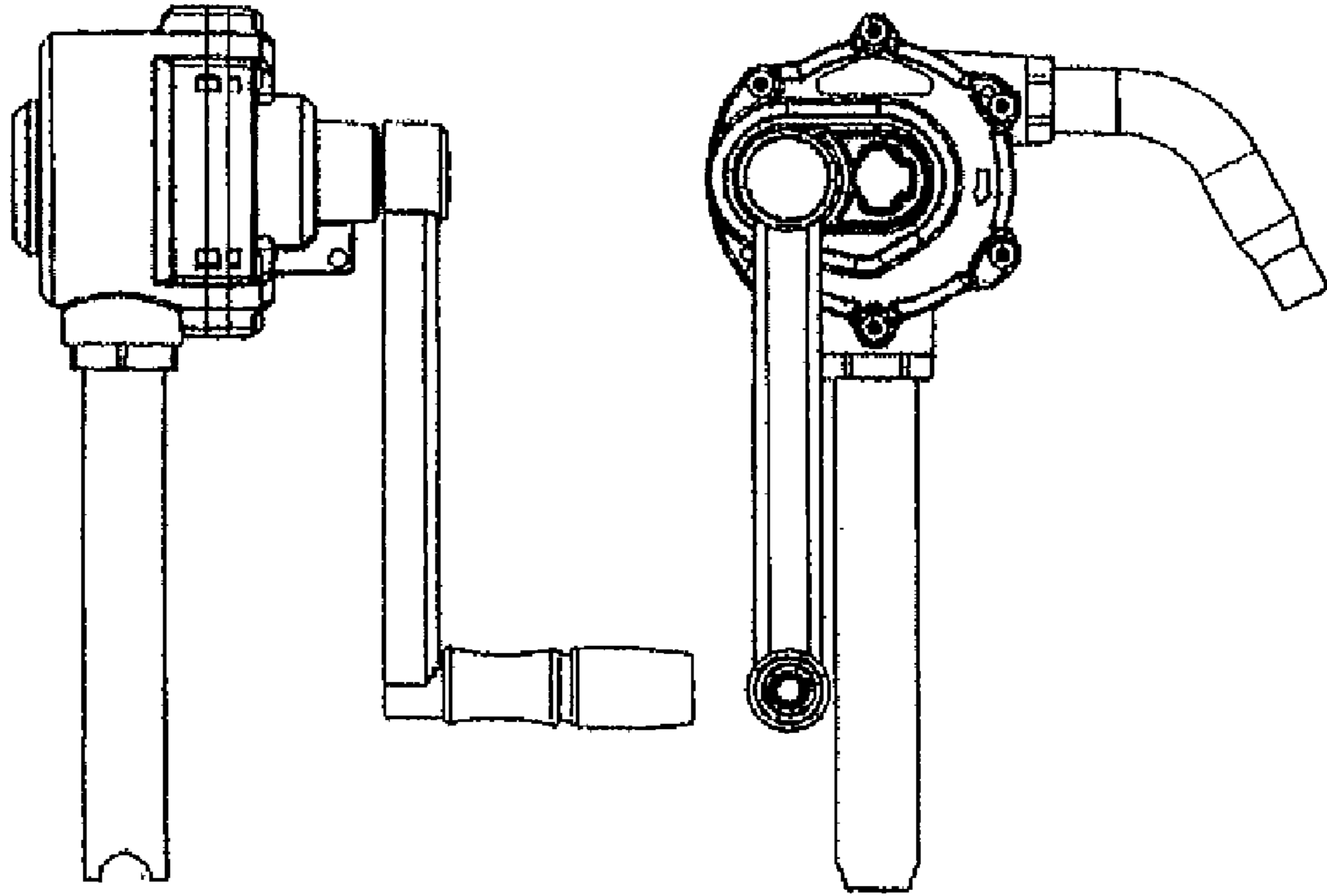


FIG 5

FIG 6

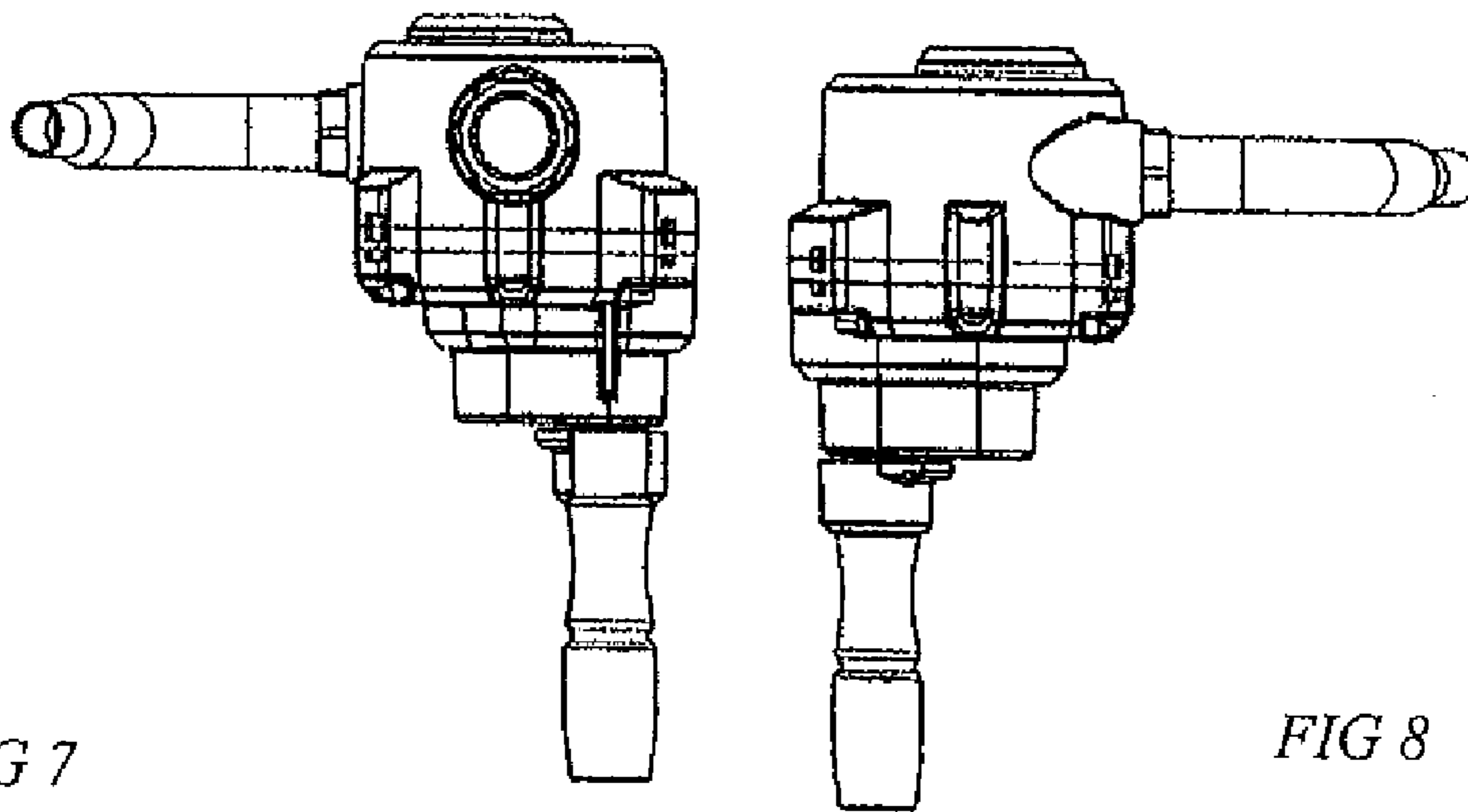


FIG 7

FIG 8