



US00D555668S

(12) **United States Design Patent**  
**Benoit**

(10) **Patent No.:** **US D555,668 S**

(45) **Date of Patent:** **\*\* Nov. 20, 2007**

(54) **CARBURETOR MAIN BODY**

(75) **Inventor:** **Marvin Benoit**, Bowling Green, KY  
(US)

(73) **Assignee:** **Quick Fuel Technology**, Bowling  
Green, KY (US)

(\*\*) **Term:** **14 Years**

(21) **Appl. No.:** **29/262,425**

(22) **Filed:** **Jun. 29, 2006**

(51) **LOC (8) Cl.** ..... **15-01**

(52) **U.S. Cl.** ..... **D15/6**

(58) **Field of Classification Search** ..... D15/6,  
D15/51; 123/474, 478; 261/18.3, 23.2,  
261/45.1, 78.1, DIG. 56, DIG. 39, DIG. 12  
See application file for complete search history.

(56) **References Cited**

**U.S. PATENT DOCUMENTS**

3,202,173 A \* 8/1965 Szwargulski ..... 137/426  
5,863,470 A \* 1/1999 Grant ..... 261/23.2

D447,147 S \* 8/2001 Grant ..... D15/6  
D457,170 S \* 5/2002 Braswell ..... D15/6  
D457,896 S 5/2002 Braswell  
6,554,258 B2 4/2003 Braswell  
D508,496 S \* 8/2005 Grant ..... D15/6

\* cited by examiner

*Primary Examiner*—Jeffrey Asch

*Assistant Examiner*—Maurice Stevens

(74) *Attorney, Agent, or Firm*—Garth Janke

(57) **CLAIM**

The ornamental design for a carburetor main body, substantially as shown and described.

**DESCRIPTION**

FIG. 1 is a right side perspective view of a carburetor main body showing our new design.

FIG. 2 is a left side perspective view thereof.

FIG. 3 is a right side elevation thereof; and,

FIG. 4 is a left side elevation thereof.

**1 Claim, 2 Drawing Sheets**

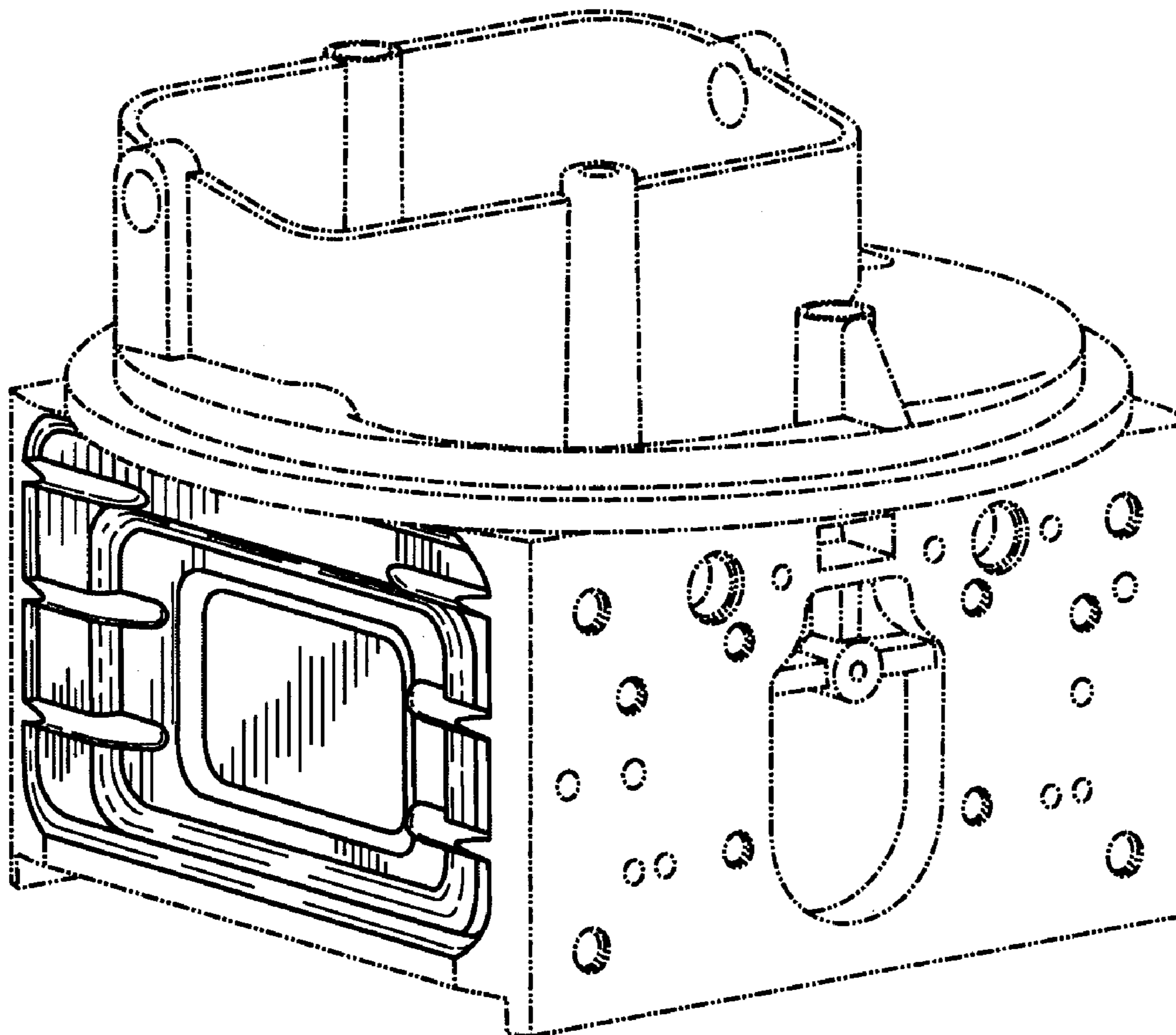


Fig. 1

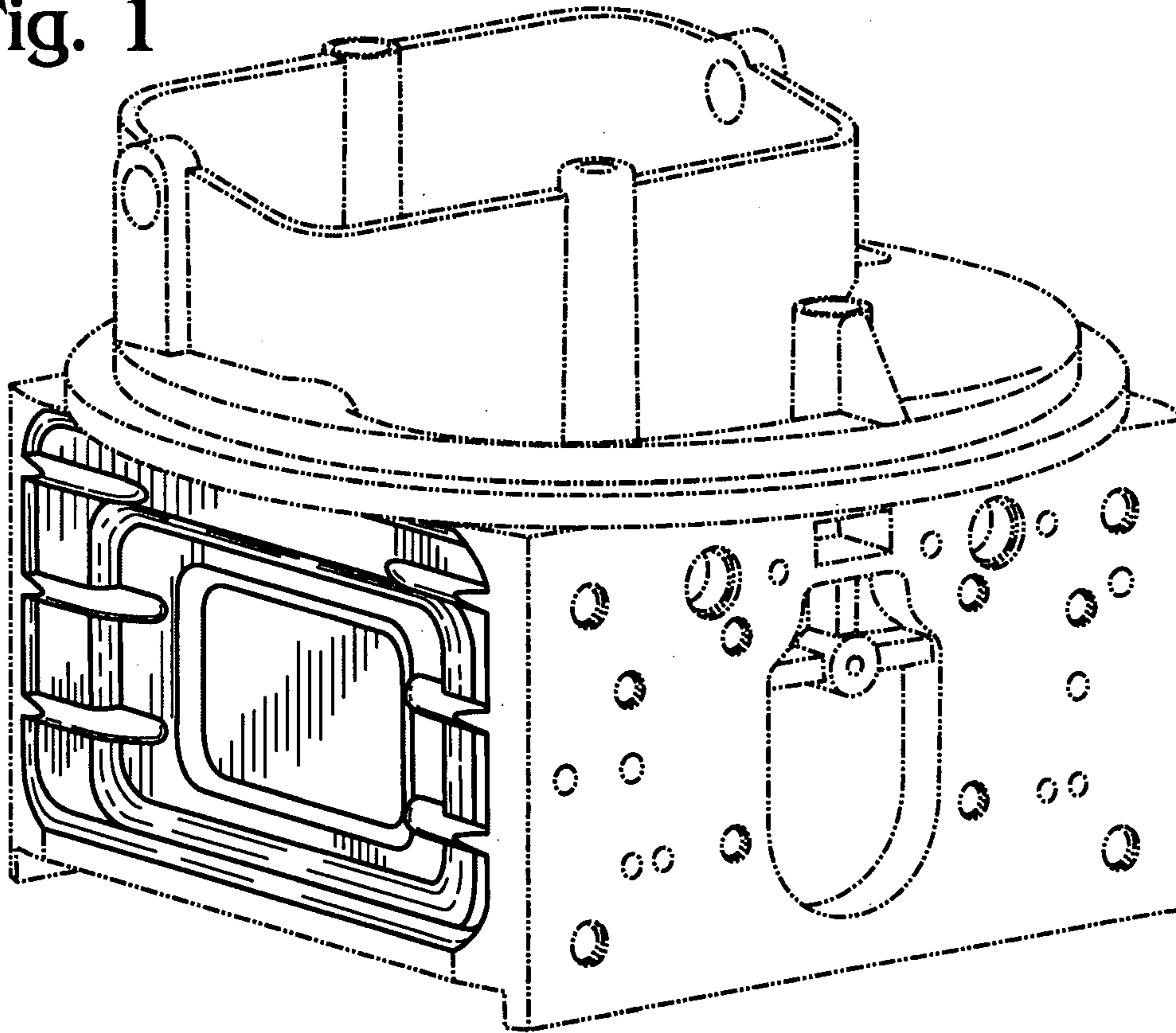


Fig. 2

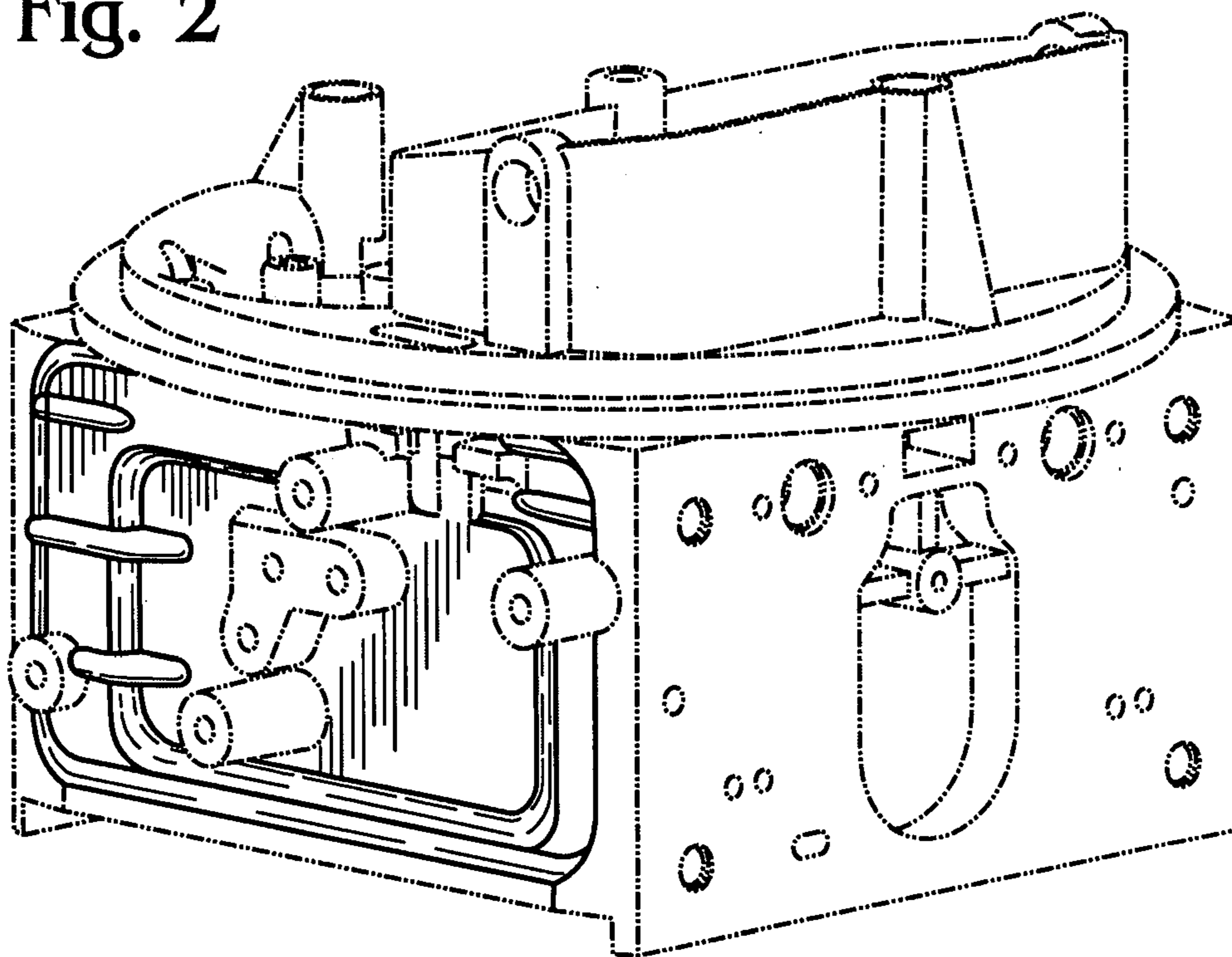


Fig. 3

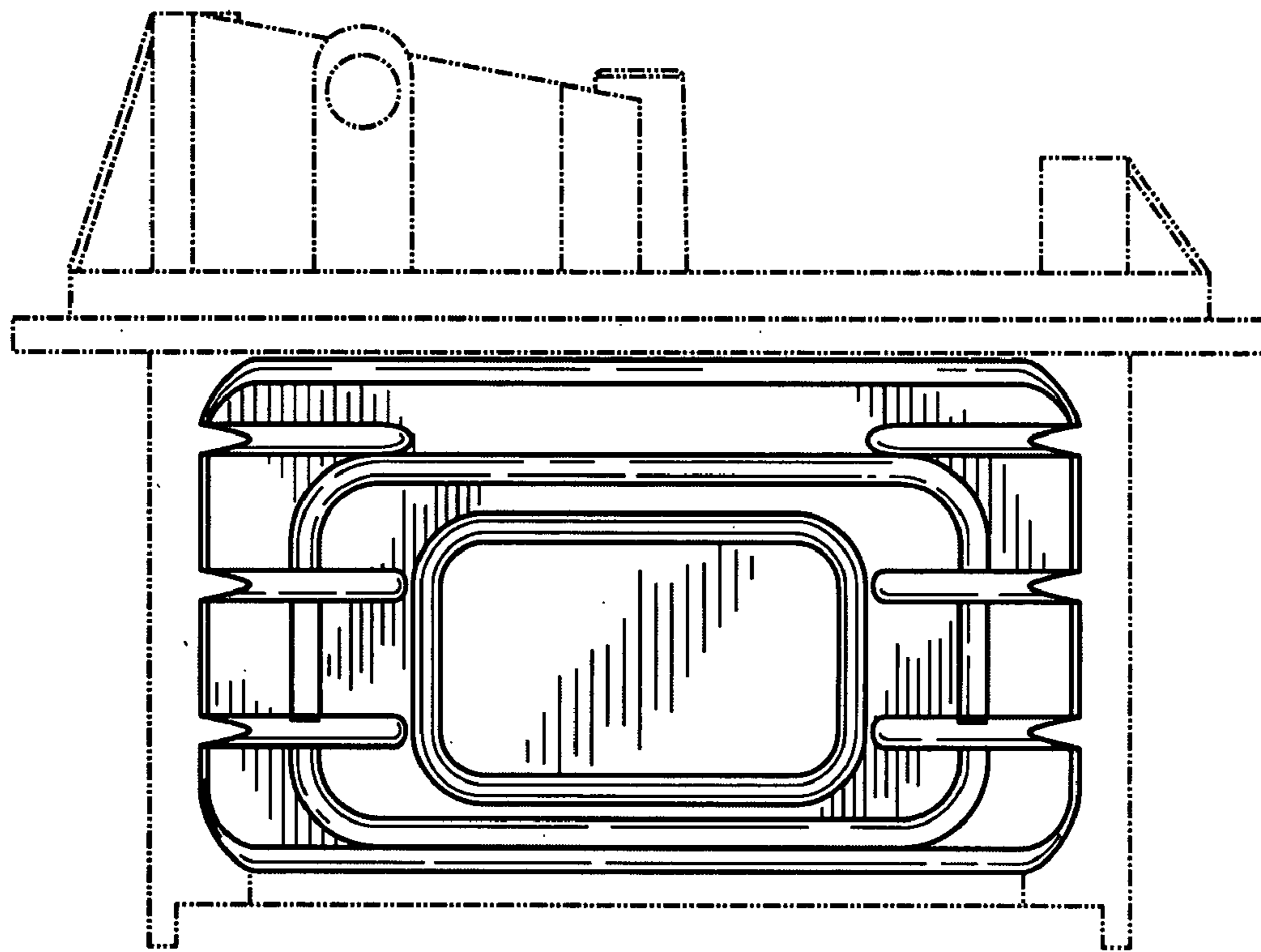


Fig. 4

