



US00D555667S

(12) **United States Design Patent**  
**Hussaini et al.**

(10) **Patent No.:** **US D555,667 S**  
(45) **Date of Patent:** **\*\* Nov. 20, 2007**

(54) **AUDIO AND VIDEO ACCESSORY FOR AN ELECTRONIC DEVICE**

(75) Inventors: **Saied Hussaini**, Miami, FL (US); **Marc Iacovelli**, Miami, FL (US)

(73) Assignee: **Intec, Inc.**, Miami Gardens, FL (US)

(\*\*) Term: **14 Years**

(21) Appl. No.: **29/287,081**

(22) Filed: **Jun. 25, 2007**

(51) **LOC (8) Cl.** ..... **14-03**

(52) **U.S. Cl.** ..... **D14/496**; D14/129; D21/330; D21/333

(58) **Field of Classification Search** ..... D14/496, D14/432, 125-129, 315, 327, 371-375, 483, D14/168, 451, 217; D21/324, 329, 330, D21/333; 345/156, 903, 905, 728; 463/43-47, 463/1; 273/148 B; 720/600, 655; 369/6-12; 455/344-347

See application file for complete search history.

(56) **References Cited**

**U.S. PATENT DOCUMENTS**

4,521,021 A	6/1985	Dixon et al.	
D288,321 S	2/1987	Ohtsu	
4,646,158 A	2/1987	Ohno et al.	
D297,536 S	9/1988	Ohtsu	
D333,493 S *	2/1993	Sato	D21/330
D335,123 S	4/1993	Smiley	
D366,251 S	1/1996	Rak et al.	
5,519,572 A	5/1996	Luo	
D378,677 S	4/1997	Matsumoto et al.	
5,825,614 A	10/1998	Kim	
5,847,698 A *	12/1998	Reavey et al.	345/173
5,988,902 A *	11/1999	Holehan	400/479.1
6,078,495 A	6/2000	Cipolla et al.	
6,081,420 A	6/2000	Kim et al.	
6,085,204 A *	7/2000	Chijiwa et al.	715/529
D433,021 S	10/2000	Shibata	

6,144,746 A	11/2000	Azima et al.
D435,527 S	12/2000	Iino et al.
D437,837 S	2/2001	Harrison et al.
D441,352 S	5/2001	Kuo
6,249,427 B1	6/2001	Carroll
6,254,477 B1	7/2001	Sasaki et al.
6,262,785 B1	7/2001	Kim
6,307,535 B1	10/2001	Kim et al.
D454,122 S	3/2002	Hori et al.
6,400,351 B1	6/2002	Ishizawa et al.
D462,723 S	9/2002	Ashida
D464,947 S	10/2002	Hussaini et al.
6,466,436 B2	10/2002	Faranda et al.

(Continued)

*Primary Examiner*—Prabhakar Deshmukh

(74) *Attorney, Agent, or Firm*—Berenato, White & Stavish

(57) **CLAIM**

The ornamental design for an audio and video accessory for an electronic device, as shown and described.

**DESCRIPTION**

FIG. 1 is a perspective view of an audio and video accessory for an electronic device showing our new design;

FIG. 2 is a front elevational view thereof;

FIG. 3 is a rear elevational view thereof;

FIG. 4 is a right side elevational view thereof;

FIG. 5 is a left side elevational view thereof;

FIG. 6 is a top plan view thereof;

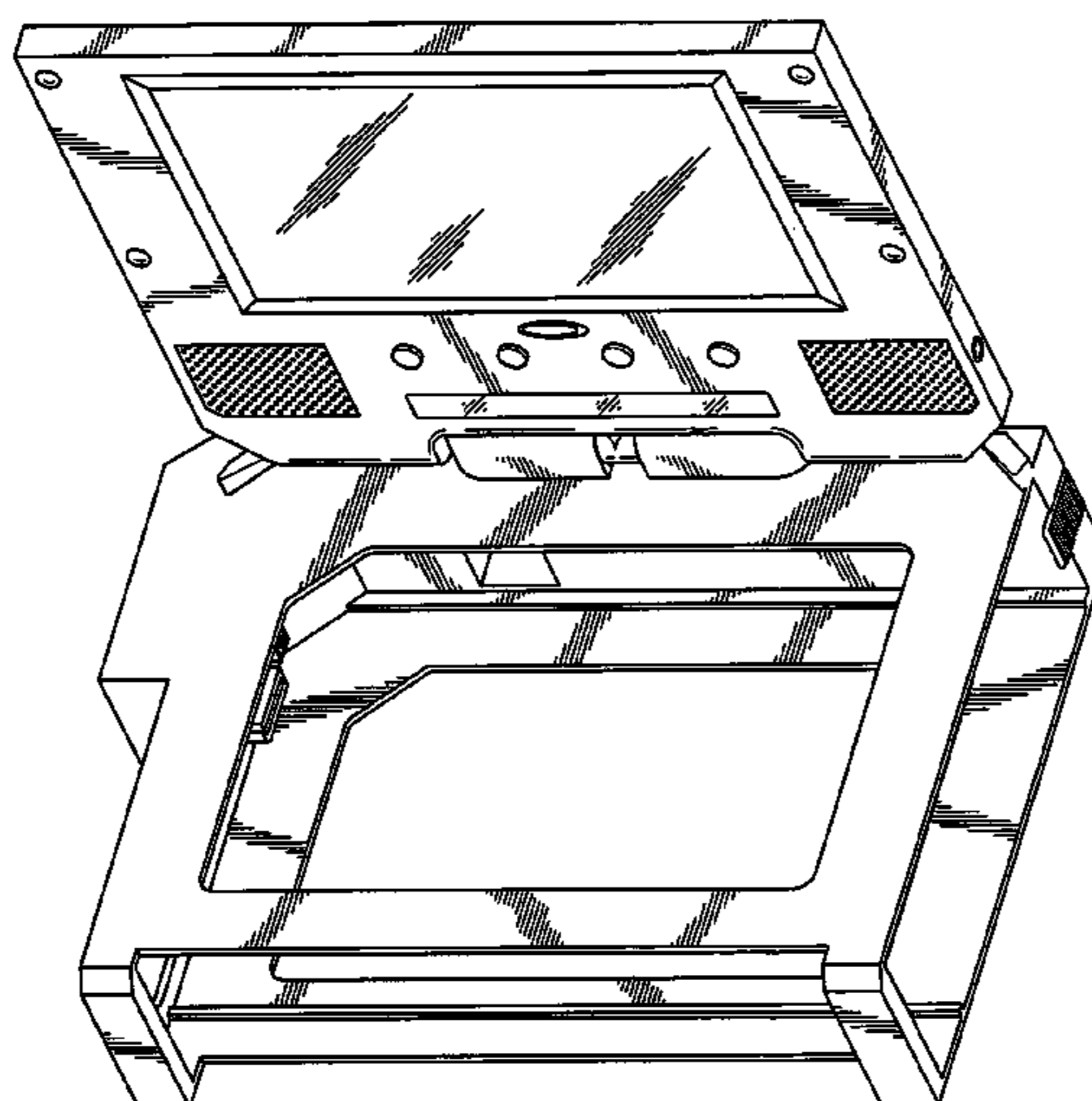
FIG. 7 is a bottom plan view thereof;

FIG. 8 is a perspective view thereof, with cover in closed position;

FIG. 9 is a perspective view thereof, with cover in close position and in an alternate position; and,

FIG. 10 is a top plan view thereof, with cover shown in an alternate rotating position.

**1 Claim, 9 Drawing Sheets**



# US D555,667 S

Page 2

---

## U.S. PATENT DOCUMENTS

D467,887 S	12/2002	Azima et al.	6,749,507 B2	6/2004	Kutaragi et al.	
6,507,338 B1	1/2003	Liao et al.	D493,154 S	7/2004	Hussaini et al.	
D473,227 S	4/2003	Hussaini et al.	D497,886 S *	11/2004	Hussaini et al.	..... D14/126
D473,228 S	4/2003	Hussaini et al.	D513,010 S	12/2005	Hussaini et al.	
D475,697 S	6/2003	Hussaini et al.	2004/0048672 A1	3/2004	Hussaini et al.	
D477,850 S	7/2003	Hussaini et al.	2004/0048674 A1	3/2004	Hussaini et al.	
D479,210 S	9/2003	Hussaini et al.	2004/0217992 A1	11/2004	Oskulak et al.	
D485,280 S *	1/2004	Hussaini et al.	2005/0202879 A1	9/2005	Hussaini et al.	

\* cited by examiner

Fig. 1

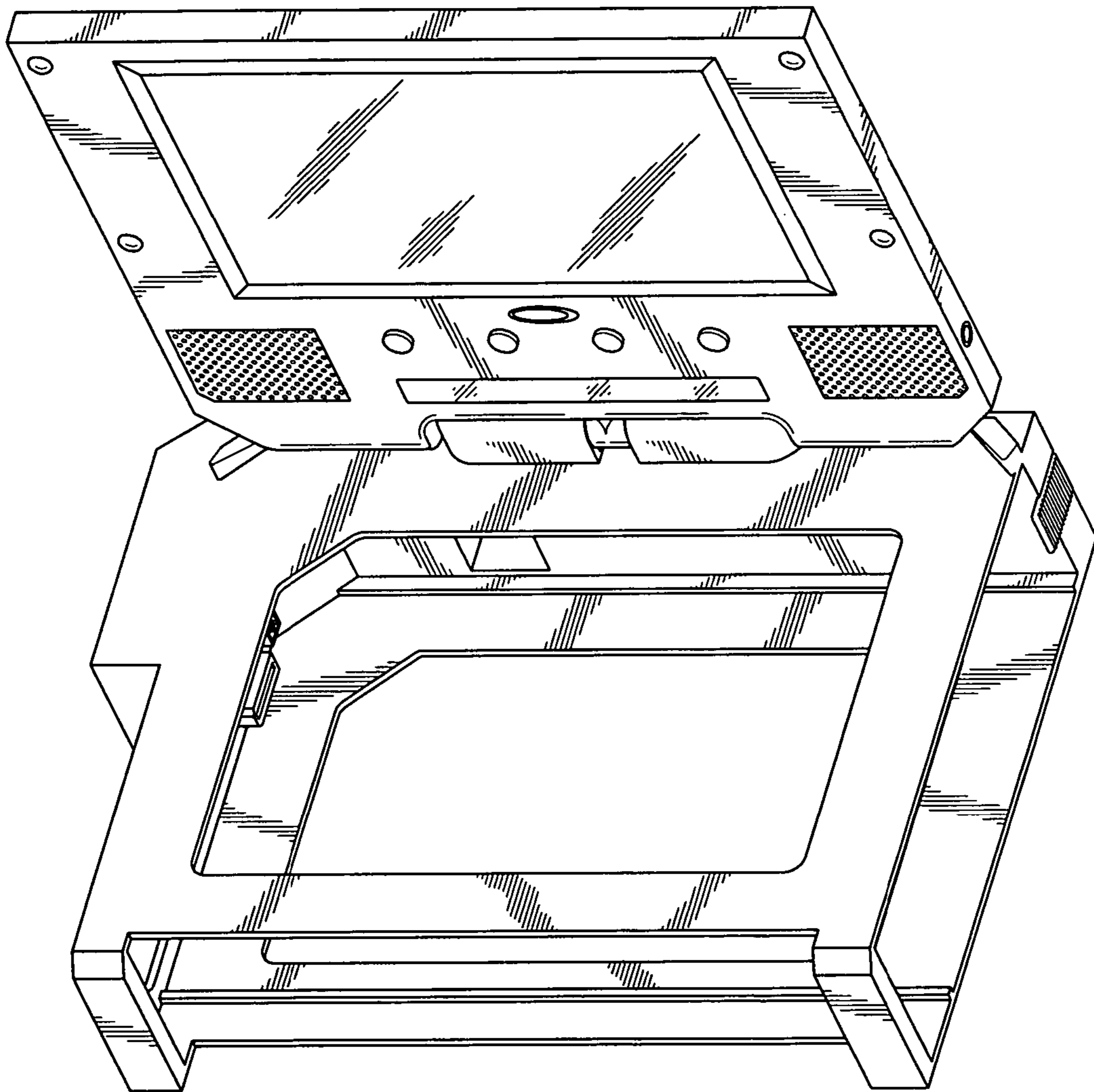


Fig. 2

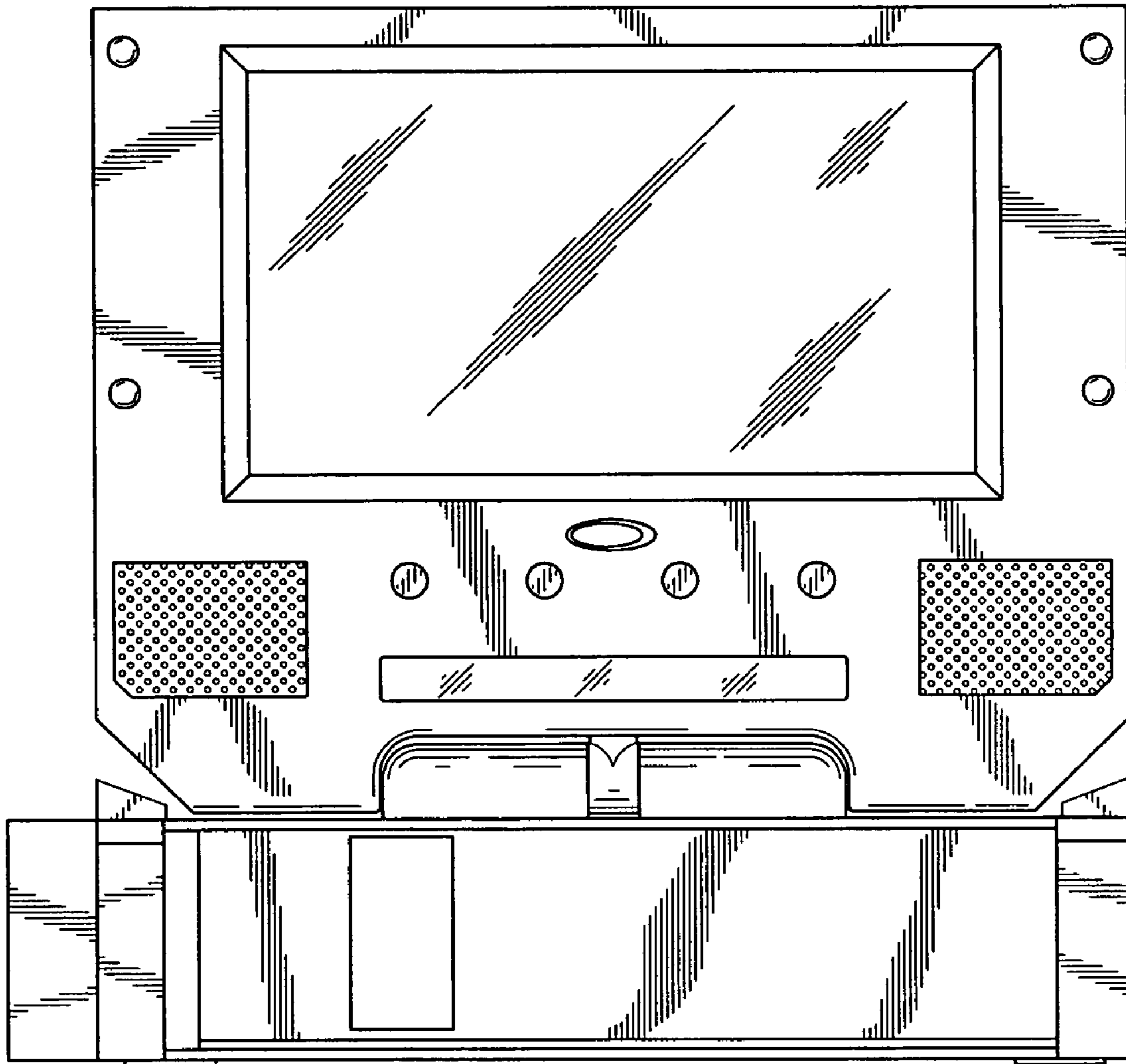


Fig. 3

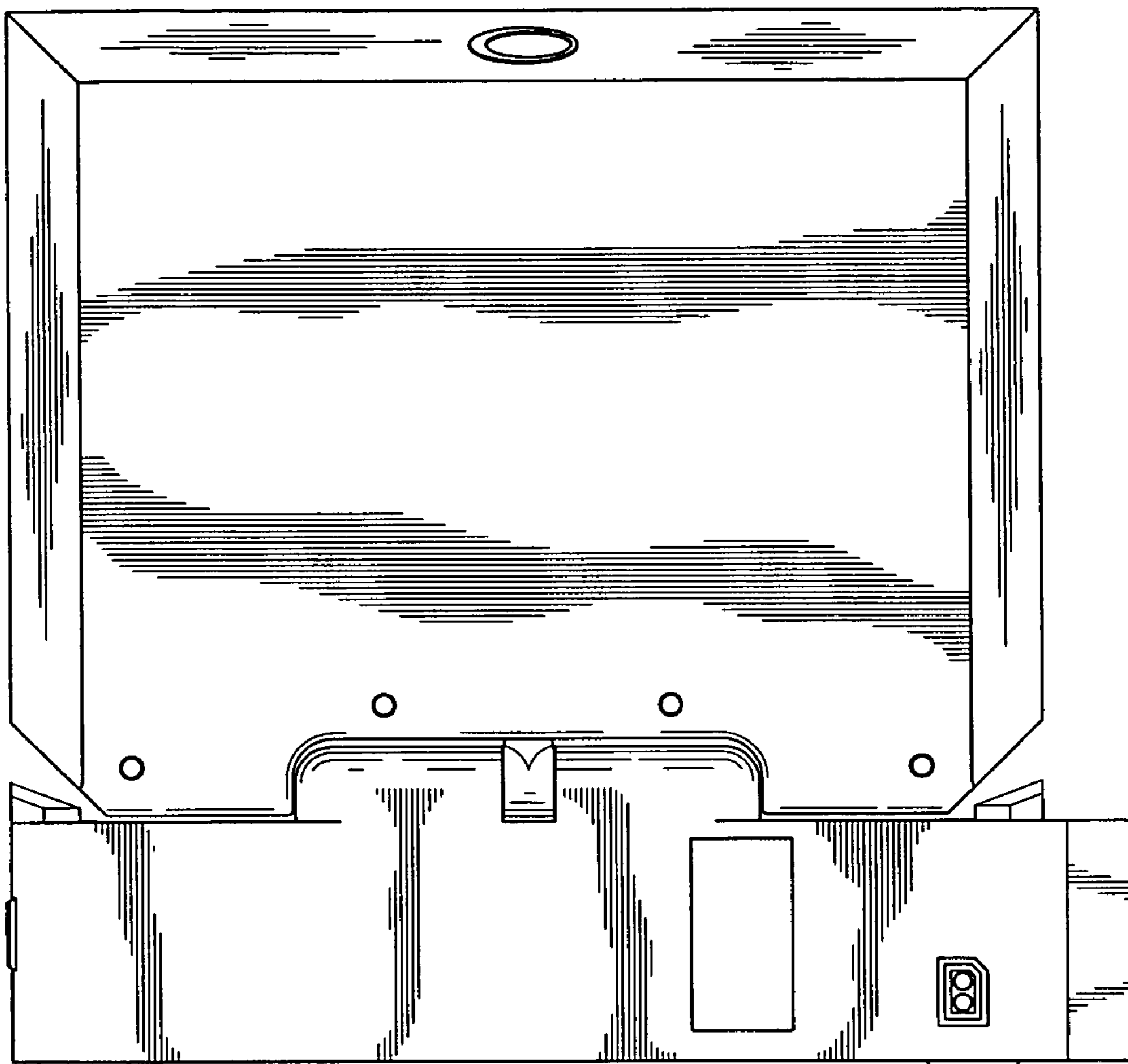


Fig. 4

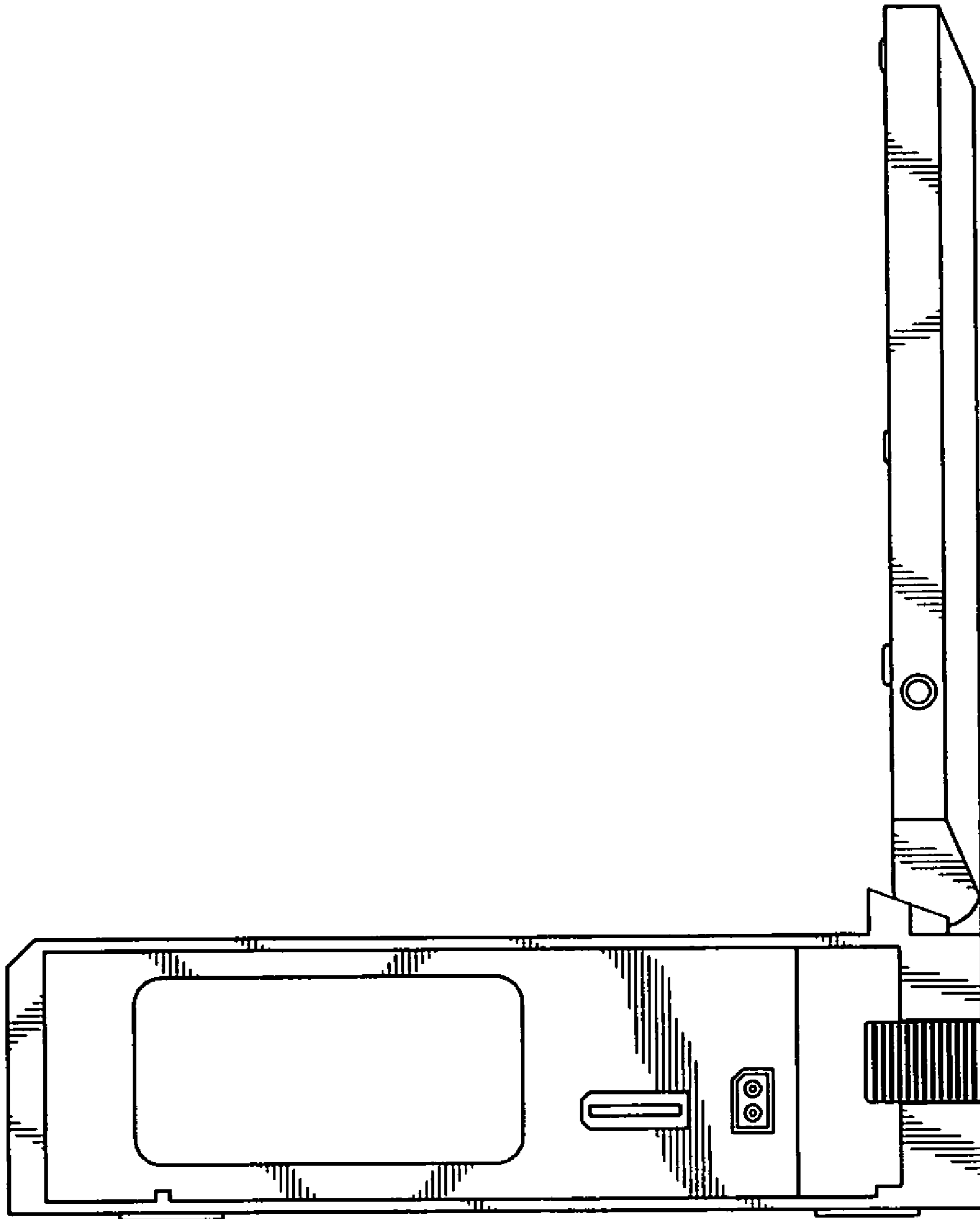




Fig. 5

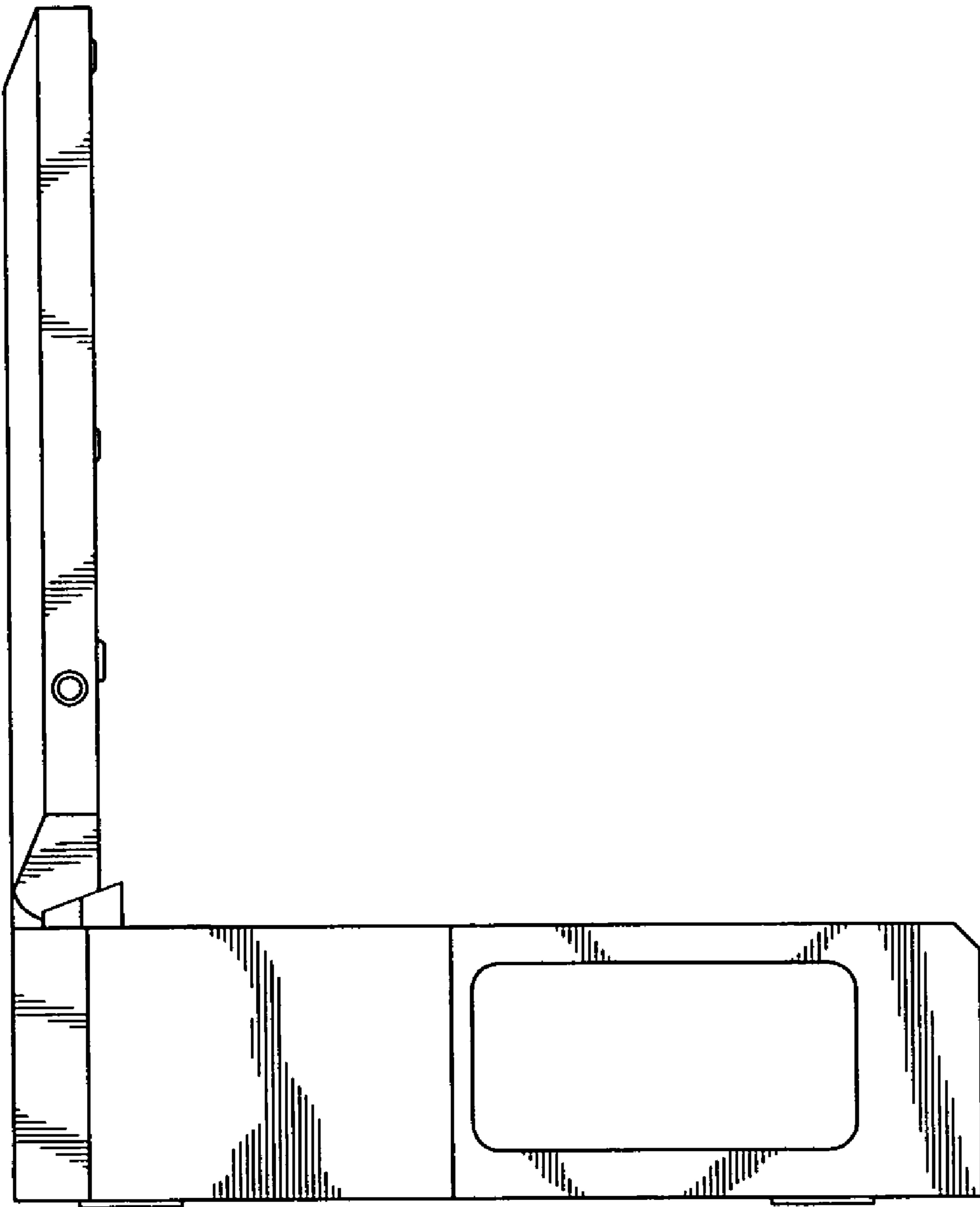


Fig. 6

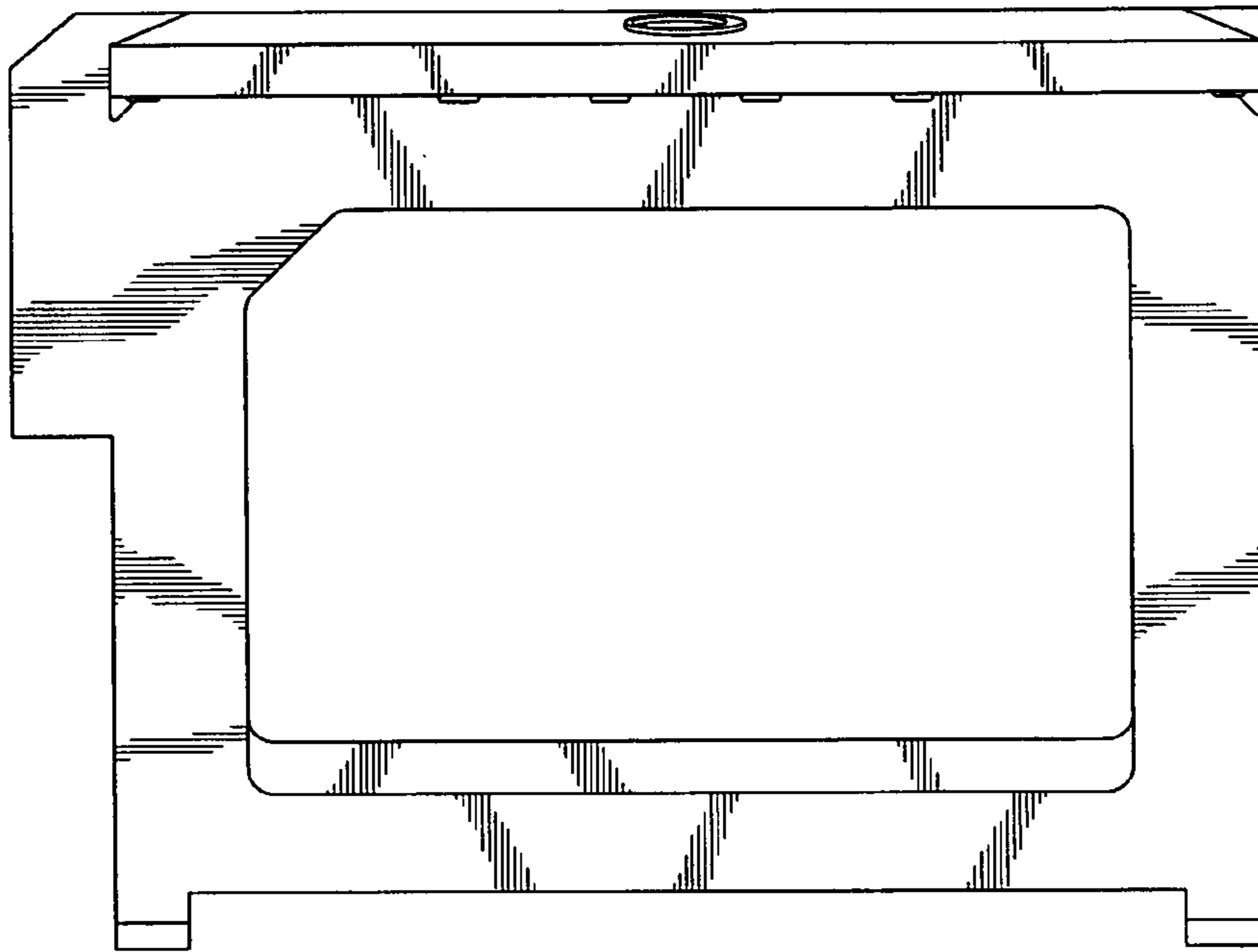


Fig. 7

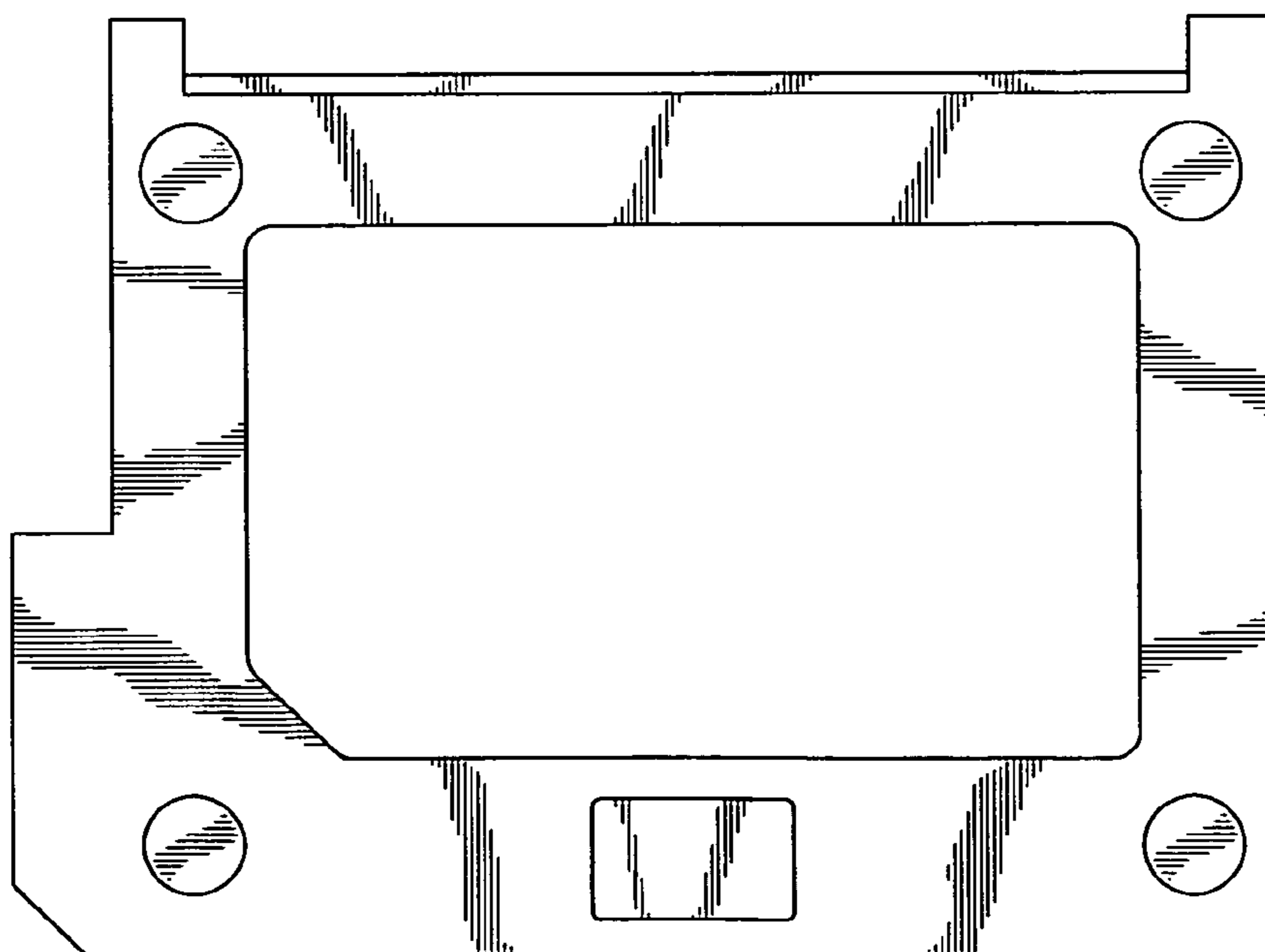




Fig. 8

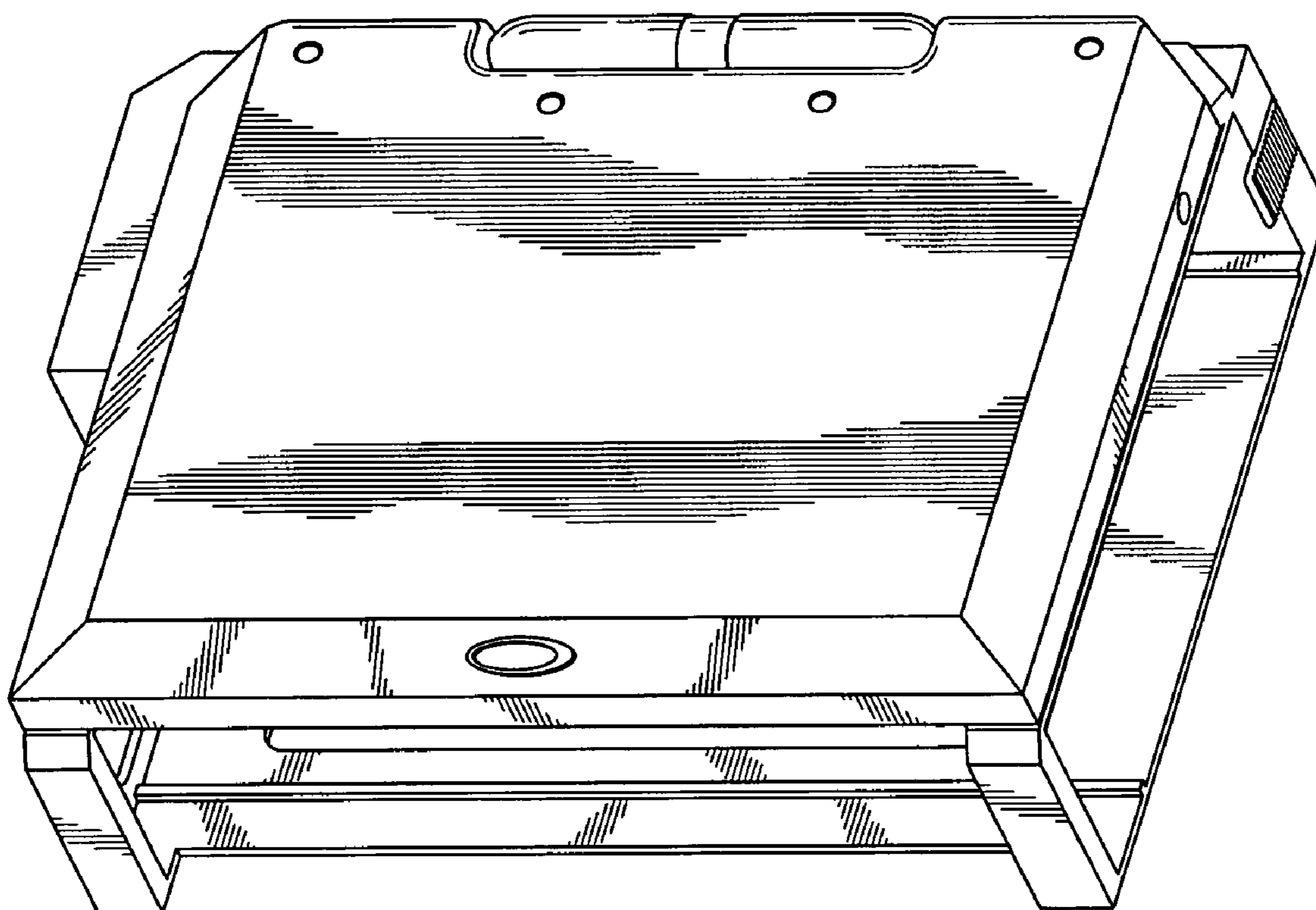


Fig. 9

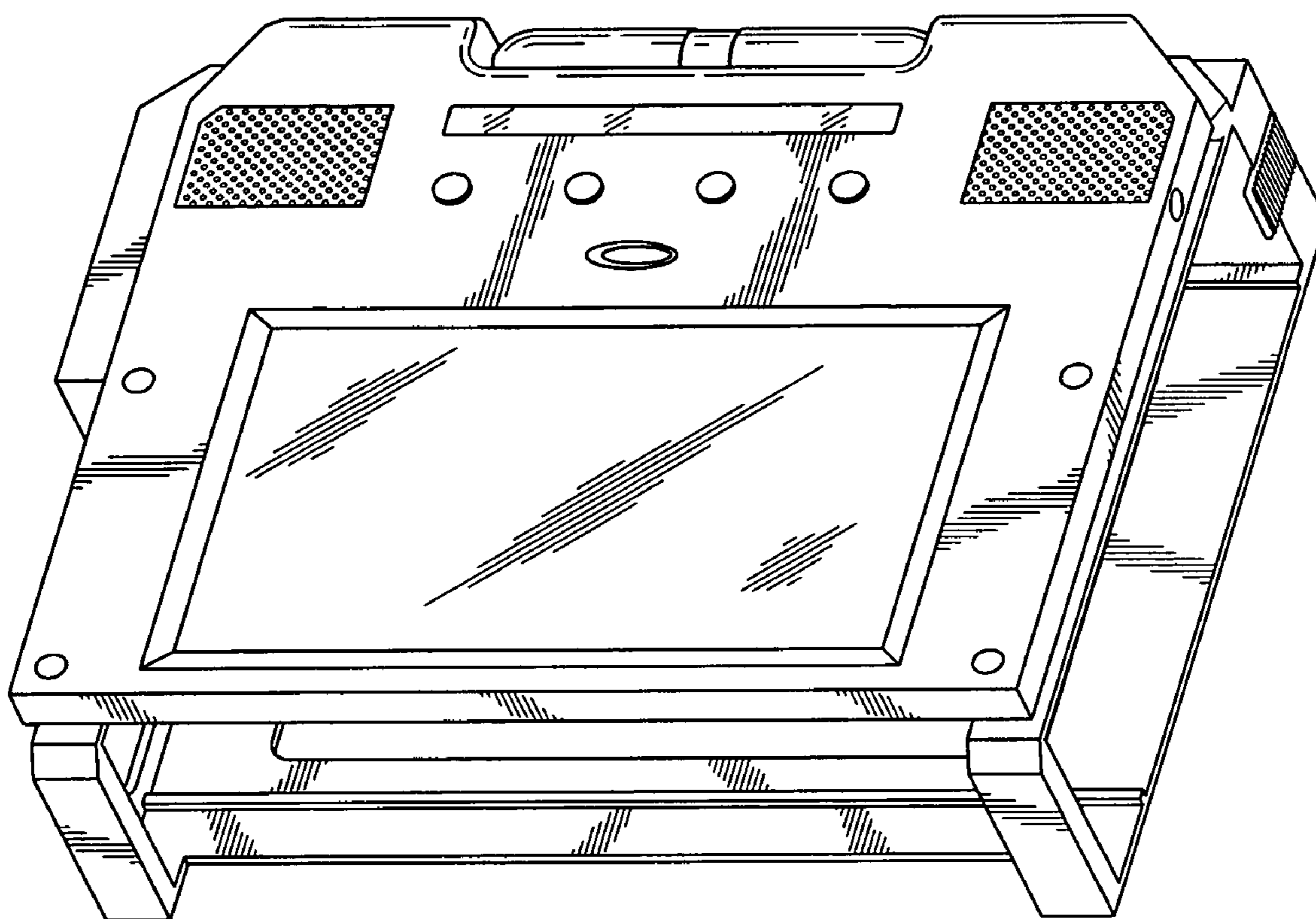


Fig. 10

