



US00D555666S

(12) **United States Design Patent** (10) **Patent No.:** **US D555,666 S**
Hussaini et al. (45) **Date of Patent:** **** Nov. 20, 2007**

(54) **AUDIO AND VIDEO ACCESSORY FOR AN ELECTRONIC DEVICE**

(75) Inventors: **Saied Hussaini**, Miami, FL (US); **Marc Iacovelli**, Miami, FL (US)

(73) Assignee: **Intec, Inc.**, Miami Gardens, FL (US)

(**) Term: **14 Years**

(21) Appl. No.: **29/271,593**

(22) Filed: **Jan. 23, 2007**

(51) **LOC (8) Cl.** **14-03**

(52) **U.S. Cl.** **D14/496; D21/333; D14/129**

(58) **Field of Classification Search** D14/496, D14/432, 125-129, 315, 327, 371-375, 483, D14/168, 451, 217; D21/324, 329, 330, D21/333; 345/156, 903, 905, 728; 463/43-47, 463/1; 273/148 B; 720/600, 655; 369/6-12; 455/344-347

See application file for complete search history.

(56) **References Cited**

U.S. PATENT DOCUMENTS

6,262,785	B1 *	7/2001	Kim	349/58
6,400,351	B1 *	6/2002	Ishizawa et al.	345/156
D460,967	S *	7/2002	Peng et al.	D14/375
6,507,338	B1 *	1/2003	Liao et al.	345/173
D477,850	S *	7/2003	Hussaini et al.	D21/333

D478,128	S *	8/2003	Hussaini et al.	D21/333
D481,397	S *	10/2003	Ashida et al.	D14/496
D485,280	S *	1/2004	Hussaini et al.	D14/496
D497,886	S *	11/2004	Hussaini et al.	D14/126
D537,049	S *	2/2007	Peng	D14/126
2004/0048672	A1 *	3/2004	Hussaini et al.	463/46

* cited by examiner

Primary Examiner—Prabhakar Deshmukh

(74) *Attorney, Agent, or Firm*—Berenato, White & Stavish

(57) **CLAIM**

The ornamental design for an audio and video accessory for an electronic device, as shown and described.

DESCRIPTION

FIG. 1 is a perspective view of an audio and video accessory for an electronic device showing our new design;

FIG. 2 is a front elevational view thereof;

FIG. 3 is a rear elevational view thereof;

FIG. 4 is a right side elevational view thereof;

FIG. 5 is a left side elevational view thereof;

FIG. 6 is a top plan view thereof; and,

FIG. 7 is a bottom plan view thereof.

The broken lines are for illustrative purpose only and form no part of the claimed design.

1 Claim, 5 Drawing Sheets

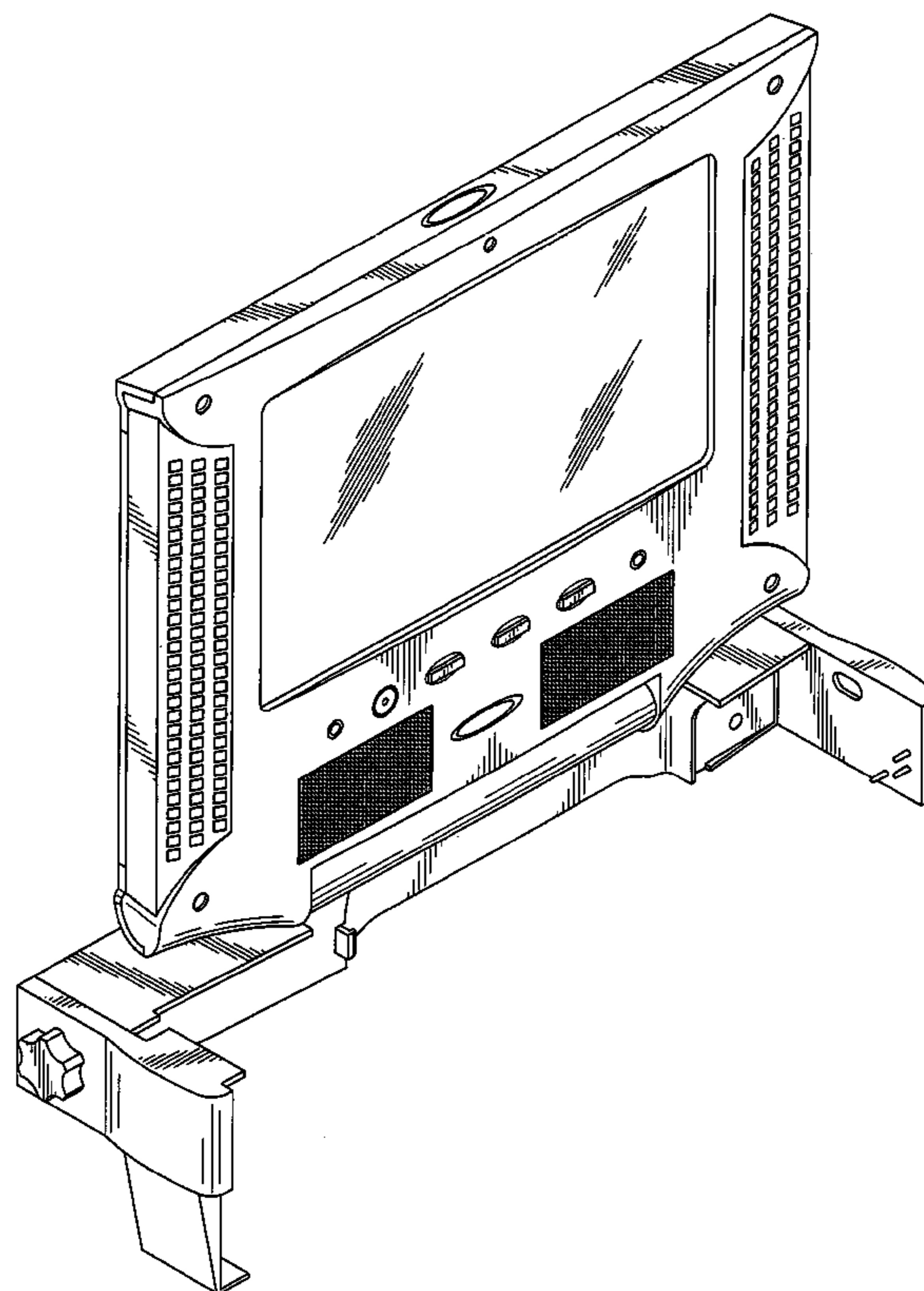


Fig. 1

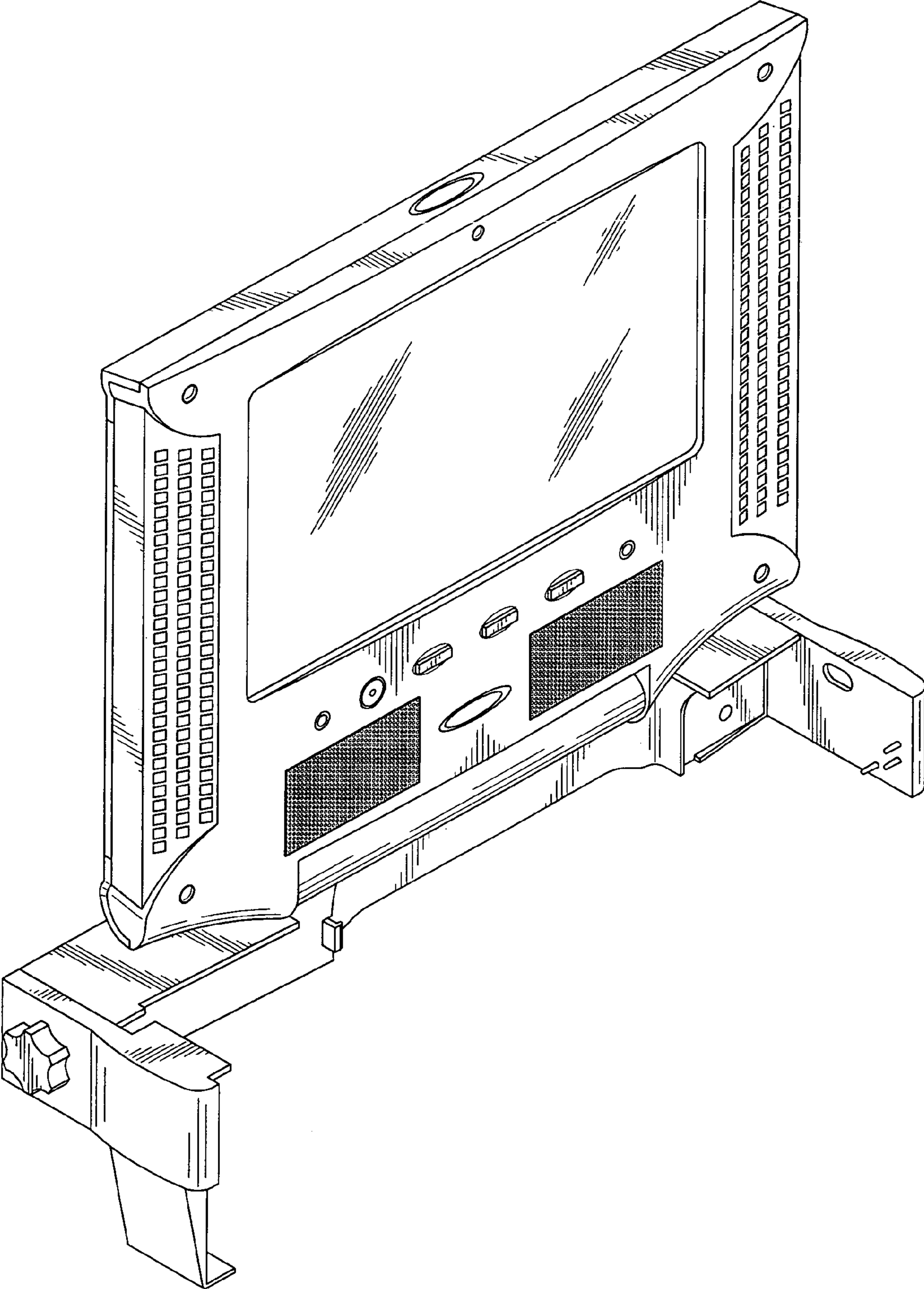


Fig. 2

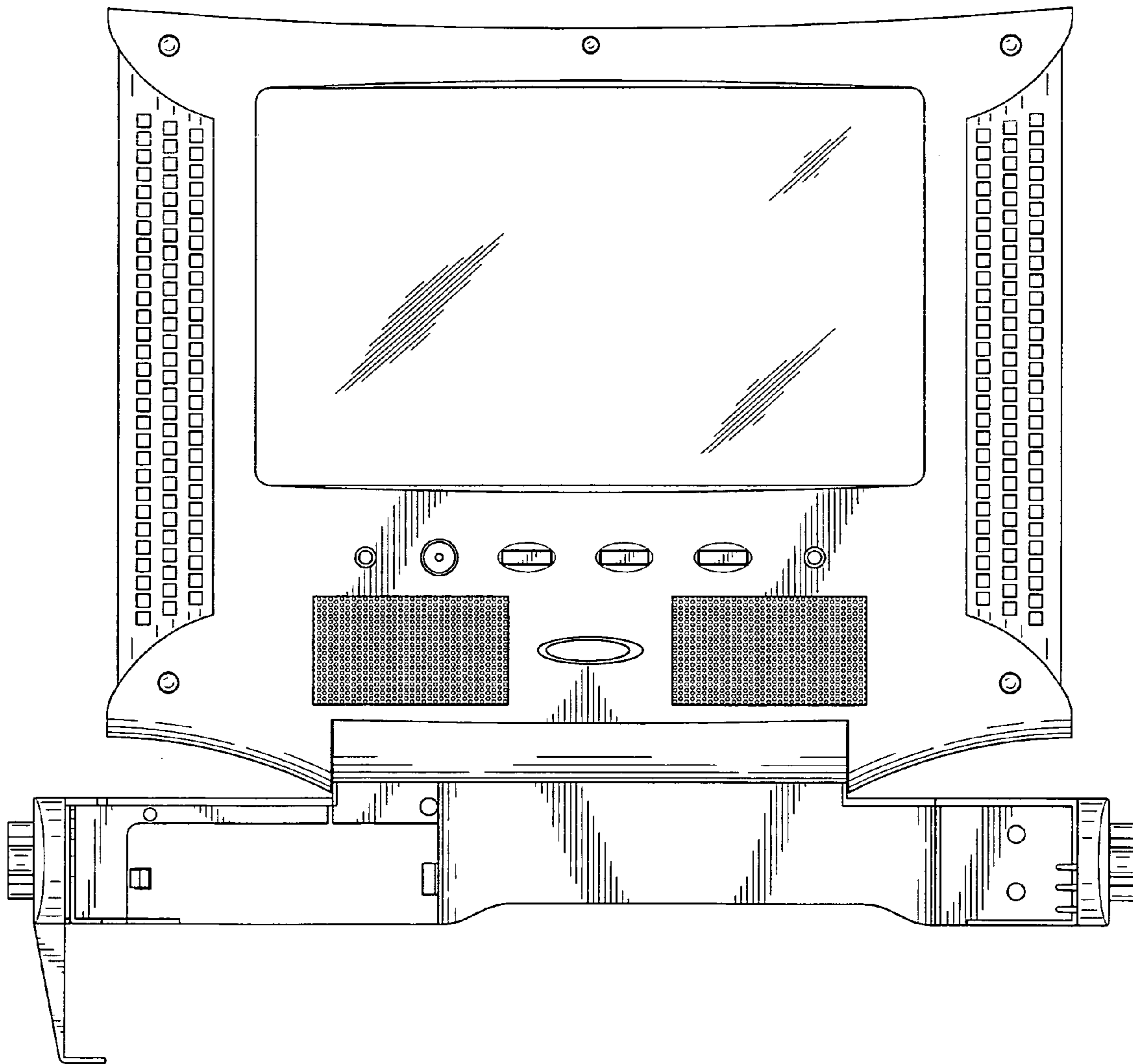


Fig. 3

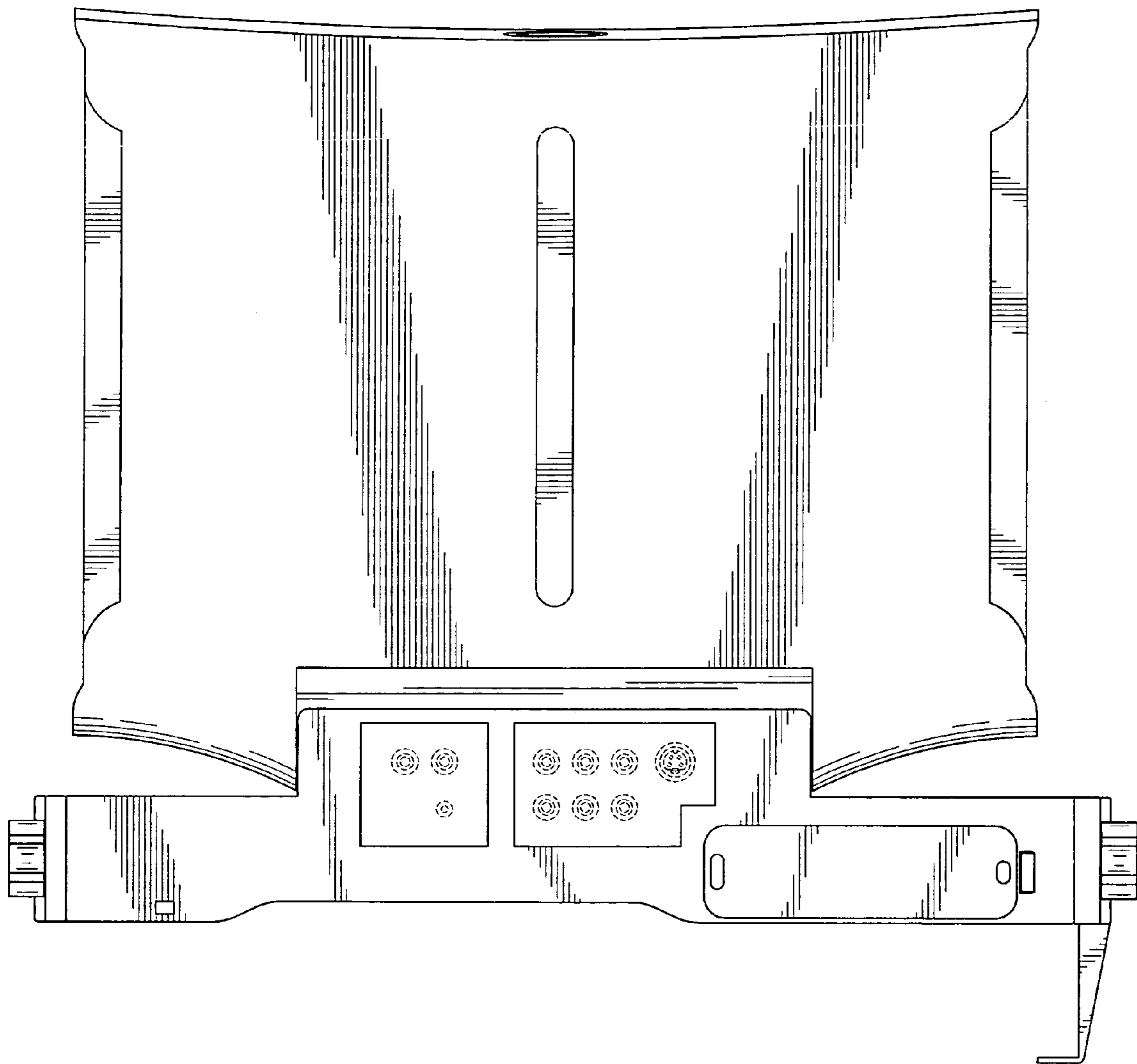


Fig. 4

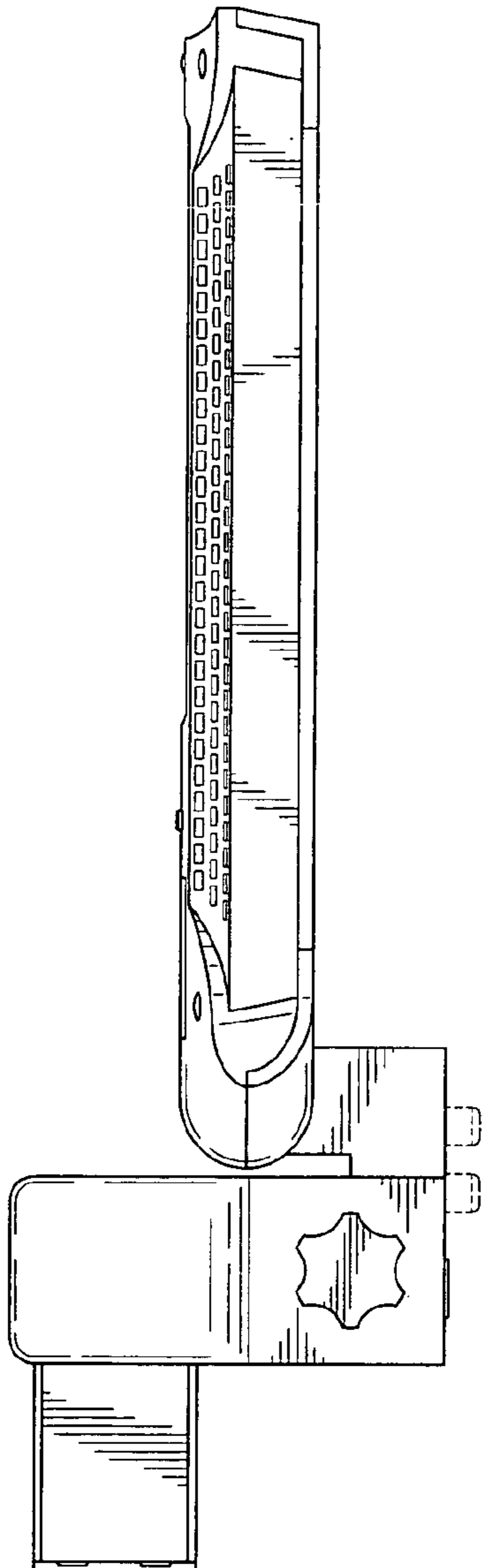


Fig. 5

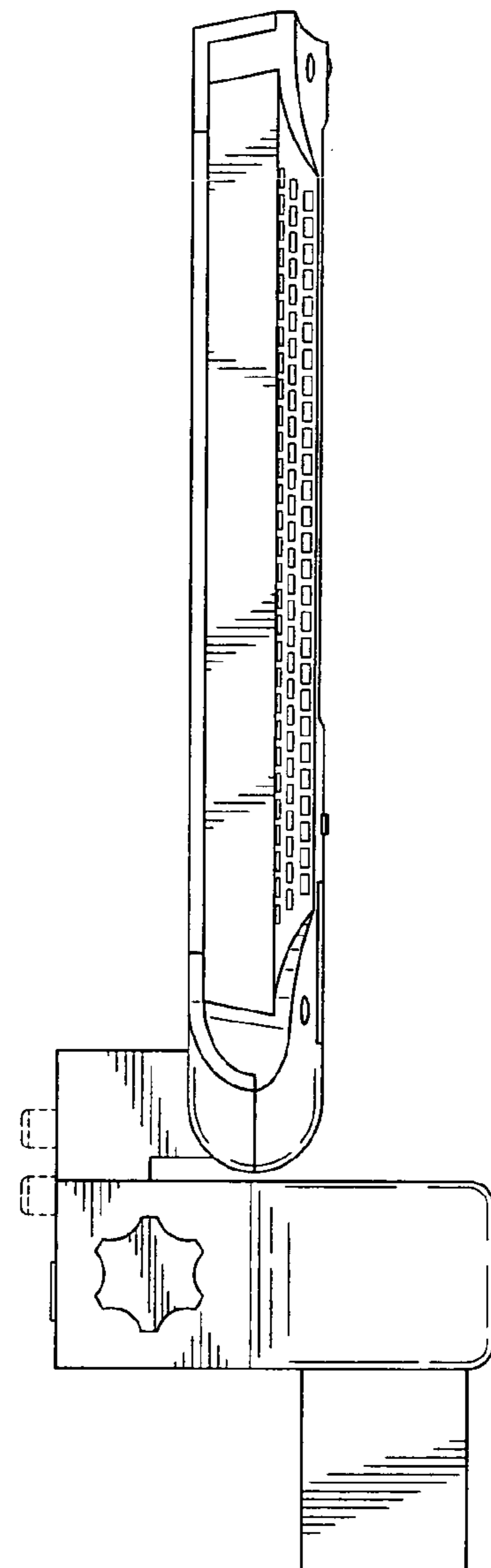


Fig. 6

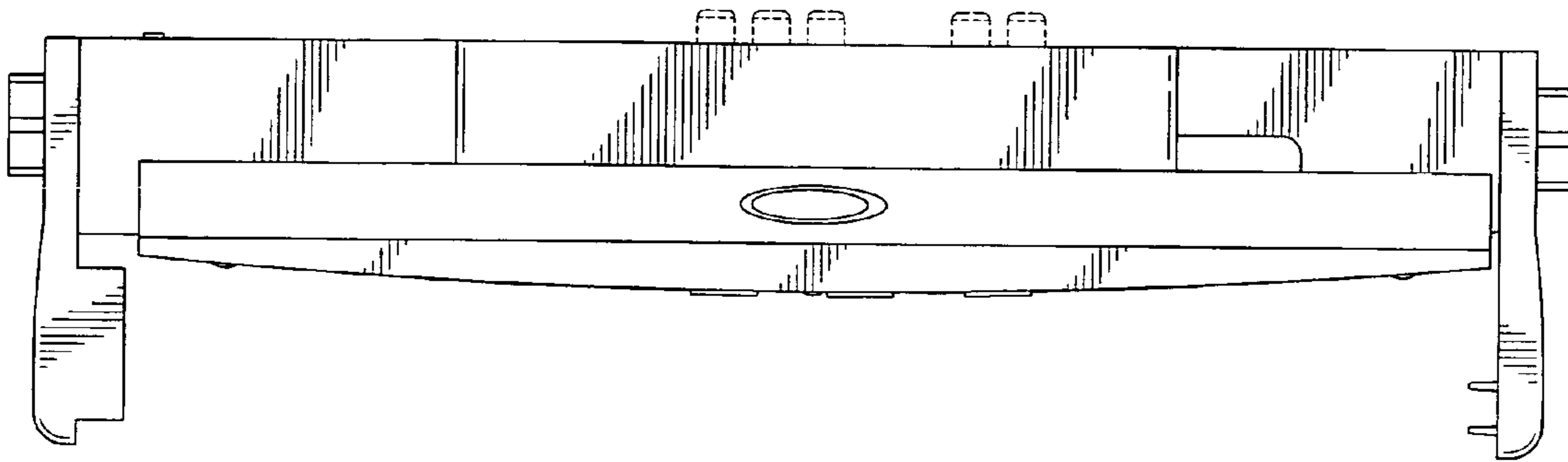


Fig. 7

