



US00D555657S

(12) **United States Design Patent** (10) **Patent No.:** **US D555,657 S**
Loyd (45) **Date of Patent:** **** Nov. 20, 2007**

(54) **MONITOR SUPPORT ARM**

2004/0251388 A1* 12/2004 Williams 248/274.1

(76) Inventor: **Casey Loyd**, 1462 E. 9th St., Pomona, CA (US) 91766

OTHER PUBLICATIONS

Two pages of online datalogue of L.A. Spas, referring to the "Ultimate Entertainment Package" and the "Ultimage Wireless Remote Control," author unknown, dated 2006.

(**) Term: **14 Years**

* cited by examiner

(21) Appl. No.: **29/252,984**

(22) Filed: **Jan. 30, 2006**

Primary Examiner—Cathron C. Brooks

Assistant Examiner—Angela Lee

(51) **LOC (8) Cl.** **14-02**

(52) **U.S. Cl.** **D14/452**

(58) **Field of Classification Search** D14/224, D14/239, 251, 253, 316, 375, 376, 432, 439, D14/447, 448, 451, 452, 457; D6/444, 513; D8/349, 355, 363, 373, 380; 248/121, 124.1, 248/127, 176.1, 177.1, 201, 205.1, 274.1, 248/276.1, 291.1, 309.1, 313, 346.01, 346.03, 248/371, 415, 917-24; 312/223.3; 348/825, 348/836; 379/446, 454

(74) *Attorney, Agent, or Firm*—Denton L. Anderson; Sheldon Mak Rose & Anderson PC

See application file for complete search history.

(57) **CLAIM**

The ornamental design for a monitor support arm, as shown and described.

(56) **References Cited**

U.S. PATENT DOCUMENTS

4,783,036	A *	11/1988	Vossoughi	248/281.11
D311,829	S *	11/1990	Vossoughi	D6/418
5,379,205	A *	1/1995	Peng	362/430
D390,450	S *	2/1998	Rosen	D8/380
D391,148	S *	2/1998	Rosen	D8/380
D391,937	S *	3/1998	Rosen	D14/452
6,070,843	A *	6/2000	Rosen	248/278.1
D435,852	S *	1/2001	Oddsens, Jr.	D14/452
D488,163	S *	4/2004	Hunt	D14/452
D494,183	S *	8/2004	Wills et al.	D14/452
D494,599	S *	8/2004	Lauzon et al.	D14/457
D507,477	S *	7/2005	Pfister	D8/363
6,935,883	B2 *	8/2005	Oddsens, Jr.	439/374
D537,323	S *	2/2007	Saez	D8/363

DESCRIPTION

FIG. 1 is a first perspective view of the monitor support arm of the invention;

FIG. 2 is a second perspective view of the monitor support arm illustrated in FIG. 1;

FIG. 3 is a top plan view of the monitor support arm illustrated in FIG. 1;

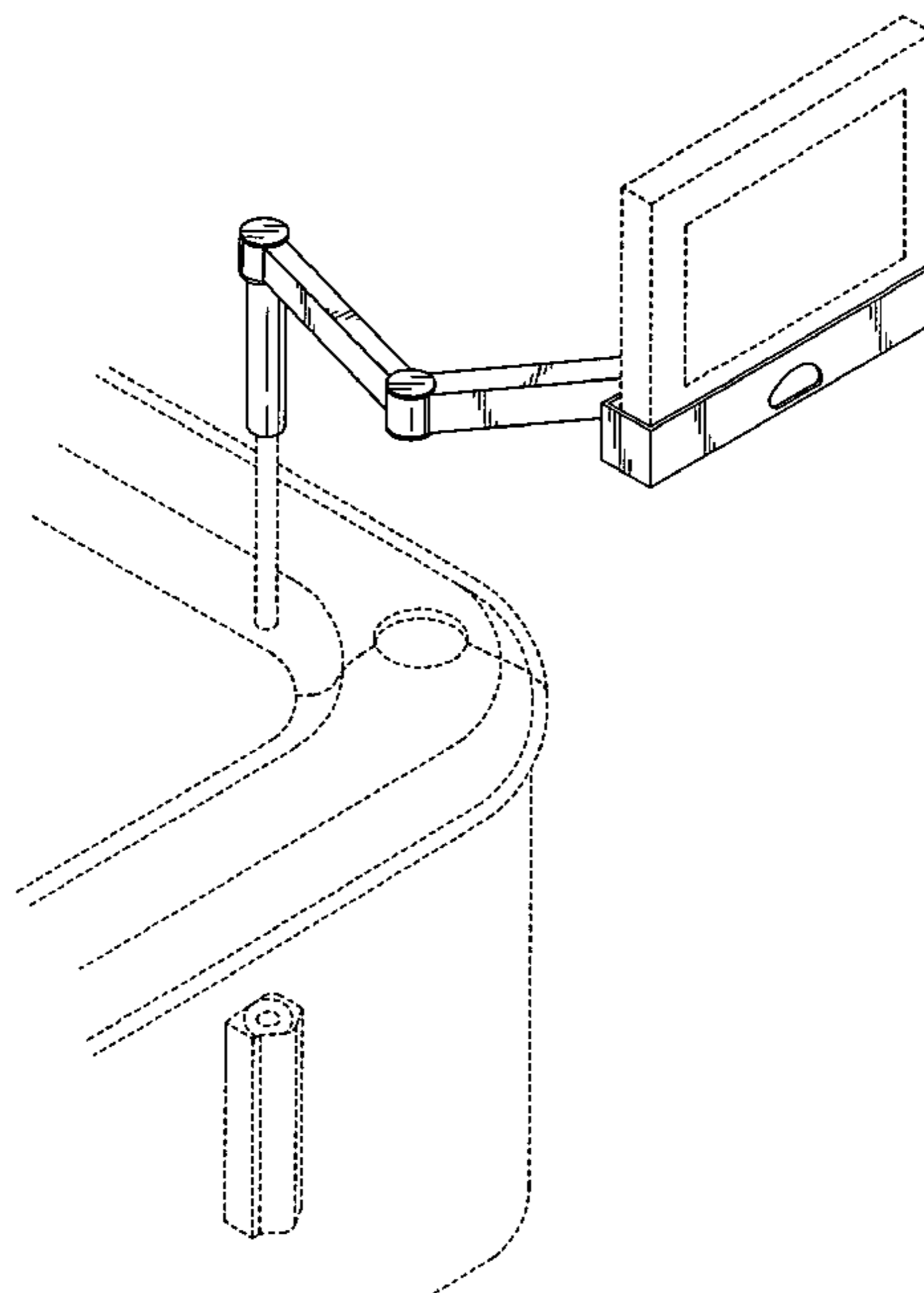
FIG. 4 is a bottom view of the monitor support arm illustrated in FIG. 1;

FIG. 5 is a first side view of the monitor support arm illustrated in FIG. 1; and,

FIG. 6 is a reverse side view of the monitor support arm illustrated in FIG. 1.

The broken line showing of a monitor and support structure is included for the purpose of illustrating environment and forms no part of the claimed design.

1 Claim, 2 Drawing Sheets



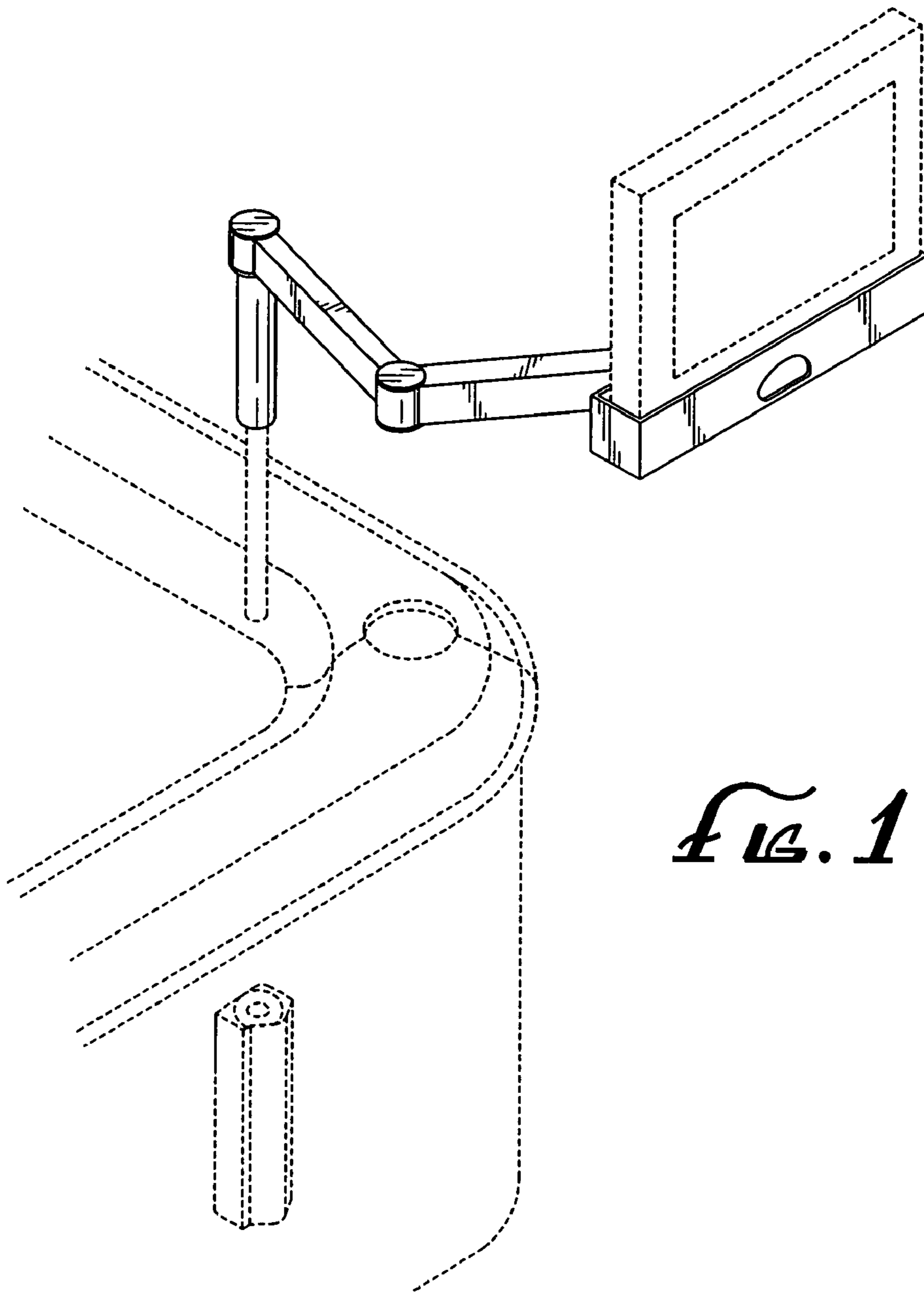


FIG. 1

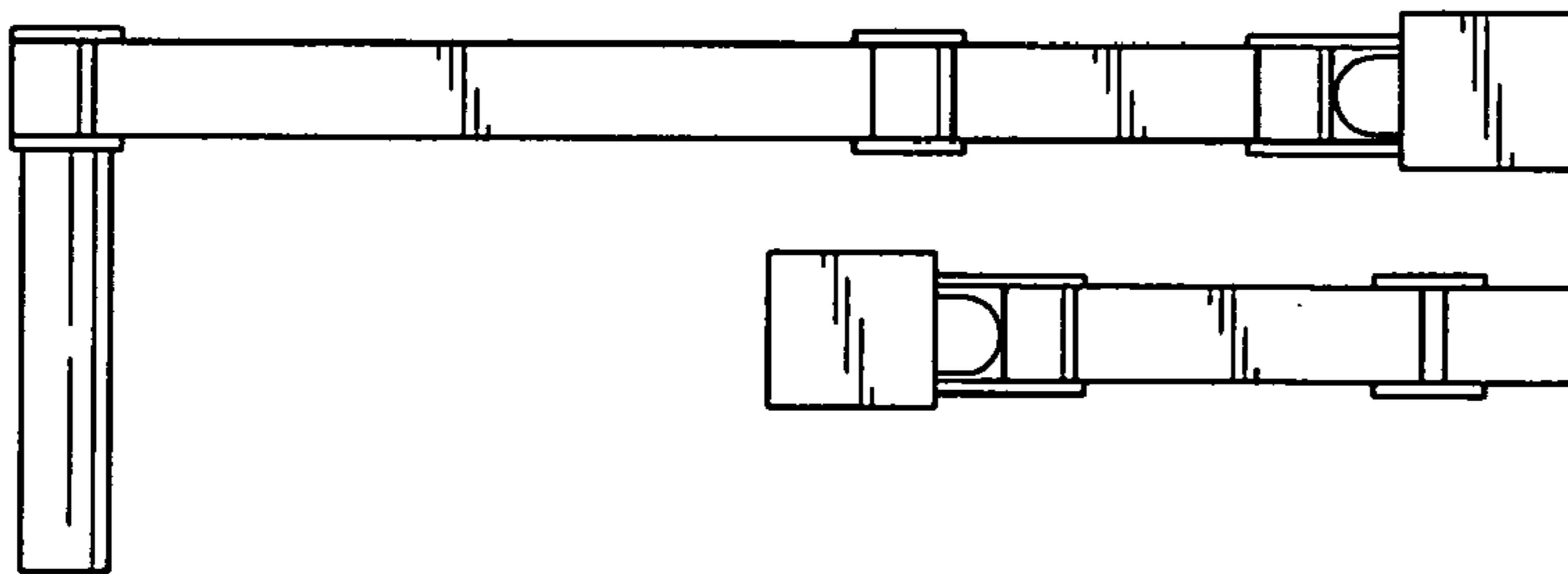


FIG. 5

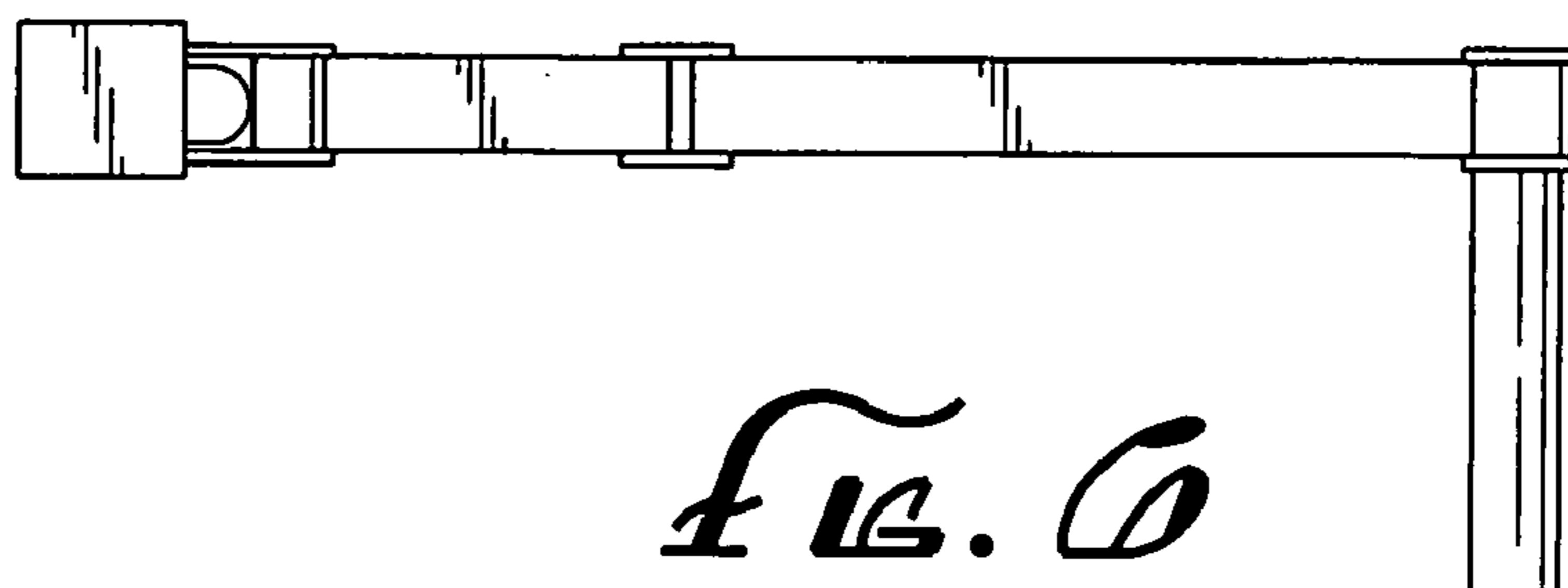


FIG. 6

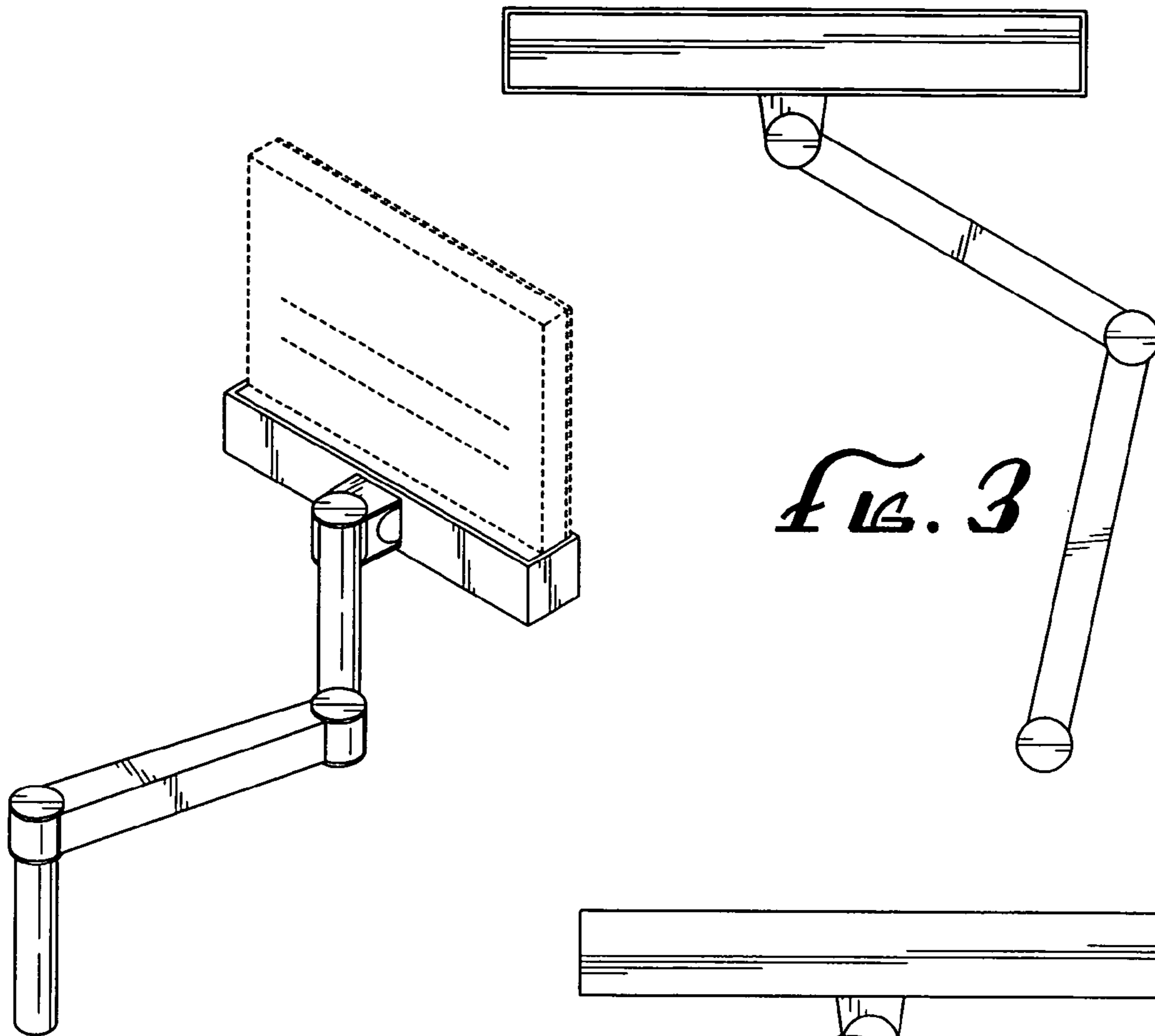


FIG. 2

FIG. 3

FIG. 4