



US00D555656S

(12) **United States Design Patent** (10) **Patent No.:** **US D555,656 S**
Bishop et al. (45) **Date of Patent:** **** Nov. 20, 2007**

(54) **COMBINATION SCREEN COVER, SUPPORT STAND, AND HANDLE FOR A PORTABLE DISPLAY DEVICE**

(75) Inventors: **Will Bishop**, Noblesville, IN (US);
William Bose, Indianapolis, IN (US);
Michel Cadio, Carmel, IN (US); **Mark Galambus**, Carmel, IN (US)

(73) Assignee: **TTE Technology, Inc.**, Indianapolis, IN (US)

(**) Term: **14 Years**

(21) Appl. No.: **29/249,545**

(22) Filed: **Oct. 11, 2006**

(51) **LOC (8) Cl.** **14-02**

(52) **U.S. Cl.** **D14/448**

(58) **Field of Classification Search** D14/126,
D14/132, 134, 217, 239, 328, 336, 371, 374,
D14/375, 432, 439, 440, 448, 449, 450, 451;
345/905; 348/786, 787, 788, 789, 794, 818,
348/823, 834, 835, 836, 842; 349/58; 359/599,
359/601, 608, 609; 361/681, 724, 727
See application file for complete search history.

(56) **References Cited**

U.S. PATENT DOCUMENTS

D311,739	S	*	10/1990	De Lucchi	D14/450
5,119,239	A	*	6/1992	Iaquinto et al.	359/811
D350,342	S	*	9/1994	Sack	D14/450
D360,199	S	*	7/1995	Shu-Ying	D14/450
D366,280	S	*	1/1996	Henderson	D19/52
D366,884	S	*	2/1996	Sloan	D16/135
5,543,863	A	*	8/1996	Lin	348/835
D381,973	S	*	8/1997	Adams	D14/450
5,668,612	A	*	9/1997	Hung	348/818
D390,547	S	*	2/1998	Chen	D14/450
5,871,094	A	*	2/1999	Leibowitz		
5,909,315	A	*	6/1999	Keehn	359/609

6,693,367	B1	2/2004	Schmeisser et al.	
6,930,881	B2	8/2005	Karidis	
6,967,635	B2 *	11/2005	Hung 345/32
2002/0015095	A1	2/2002	Schilowitz	
2005/0149955	A1	7/2005	Peng	
2006/0034045	A1	2/2006	Wang	
2006/0082957	A1 *	4/2006	Chen 361/681

FOREIGN PATENT DOCUMENTS

WO 9111769 A1 8/1991

* cited by examiner

Primary Examiner—Cathron Brooks

Assistant Examiner—Angela J Lee

(74) *Attorney, Agent, or Firm*—Shimokaji & Associates, P.C.

(57) **CLAIM**

The ornamental design for a combination screen cover, support stand, and handle for a portable display device, as shown and described.

DESCRIPTION

FIG. 1 is a perspective view of a combination screen cover, support stand, and handle for a portable display device showing our design in a first position;

FIG. 2 is a front plan view thereof;

FIG. 3 is a rear plan view thereof;

FIG. 4 is a top plan view thereof;

FIG. 5 is a bottom plan view thereof;

FIG. 6 is a left side view thereof;

FIG. 7 is a right side view thereof;

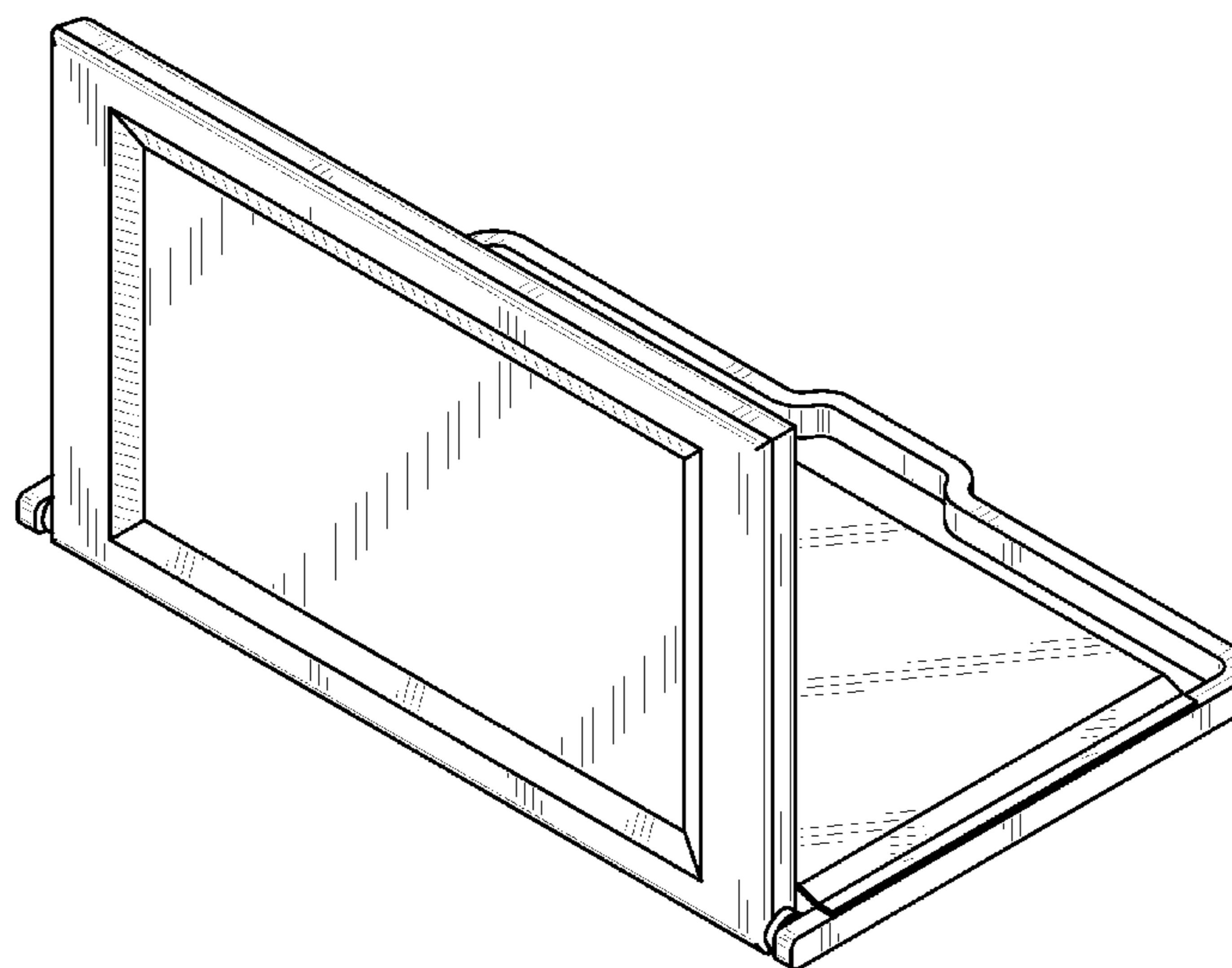
FIG. 8 is a left side view thereof in a second position;

FIG. 9 is a left side view thereof in a third position;

FIG. 10 is a left side view thereof in a fourth position; and,

FIG. 11 is a perspective view thereof in the fourth position.

1 Claim, 7 Drawing Sheets



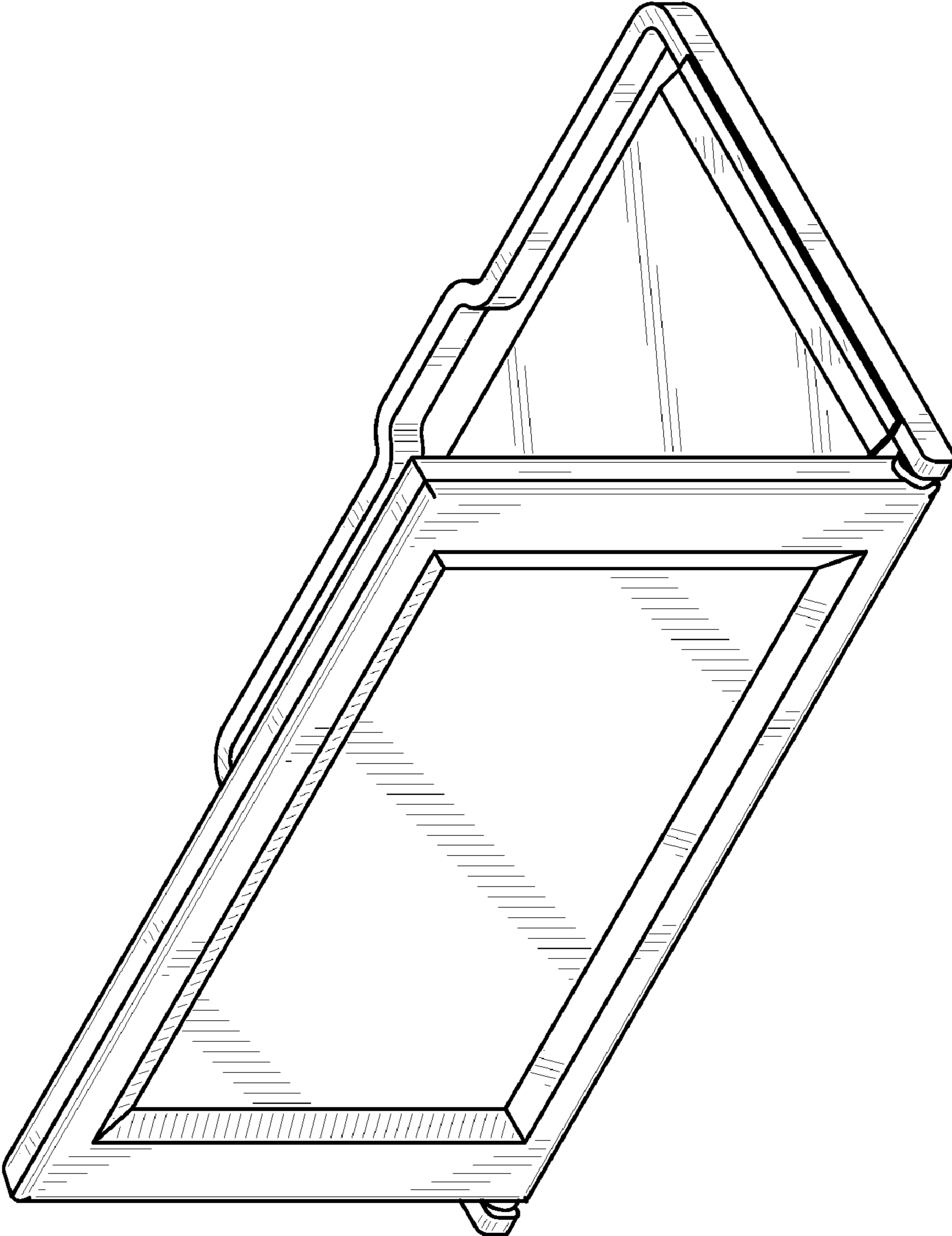


FIG. 1

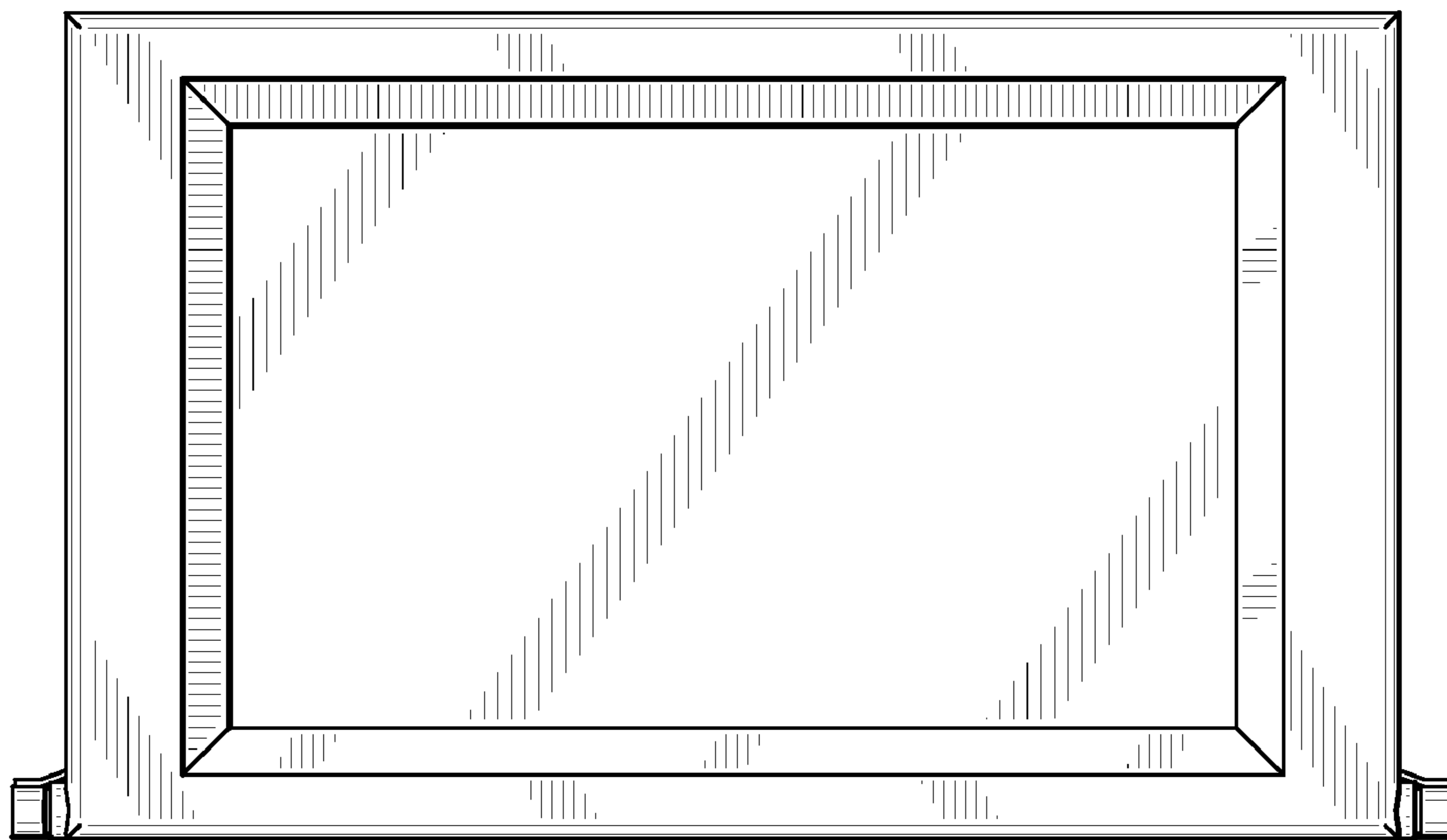


FIG. 2

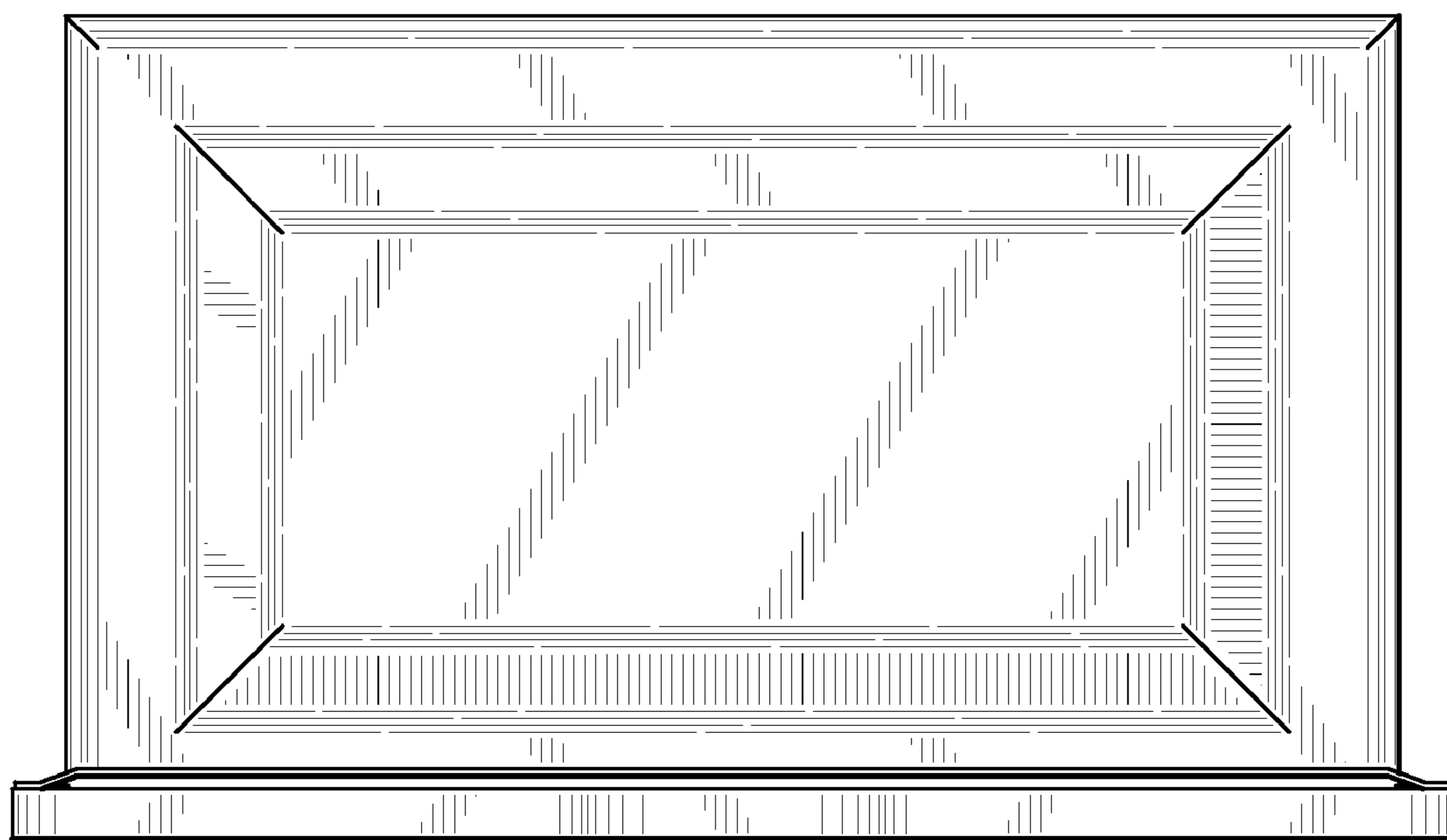


FIG. 3

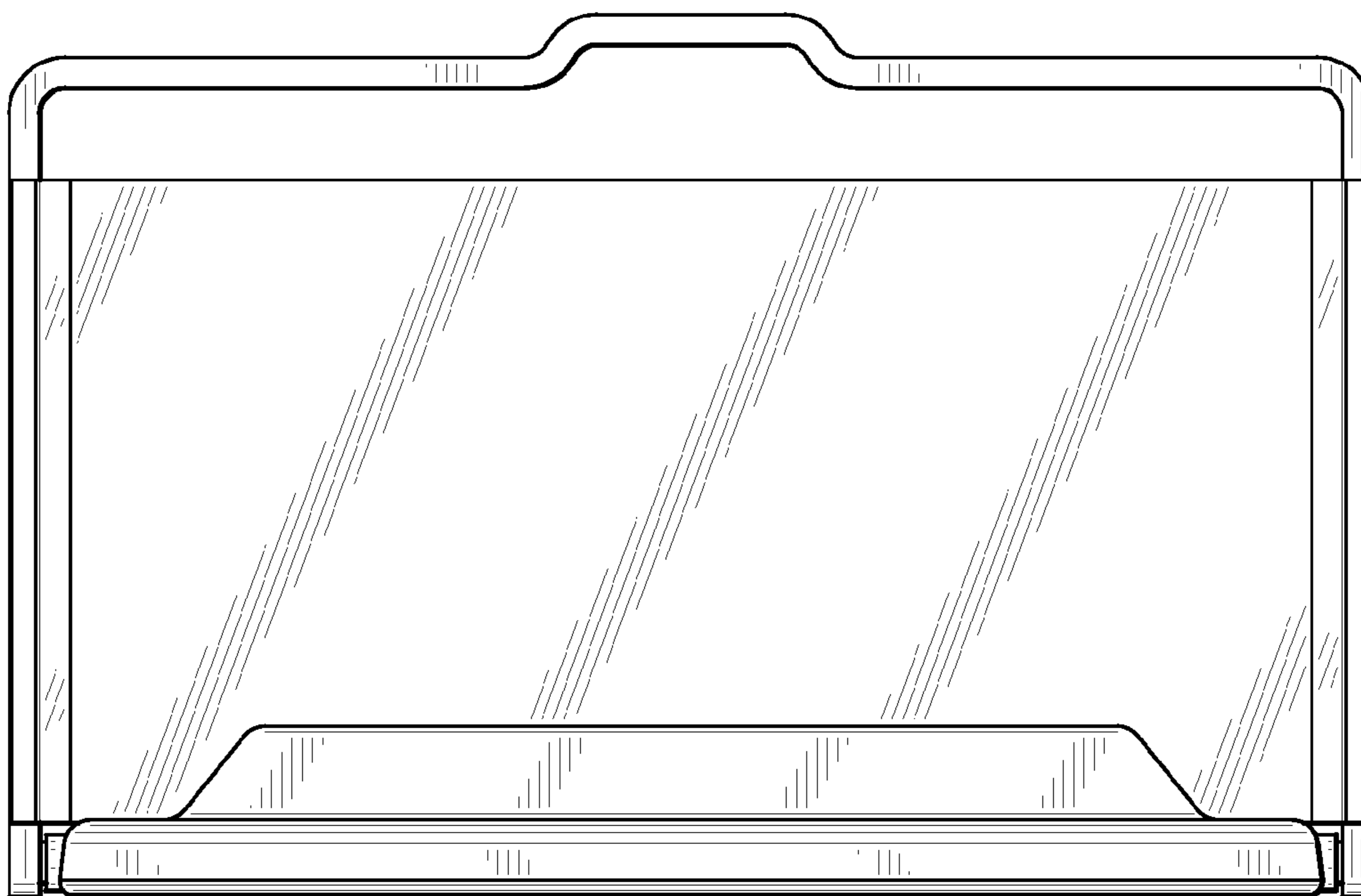


FIG. 4

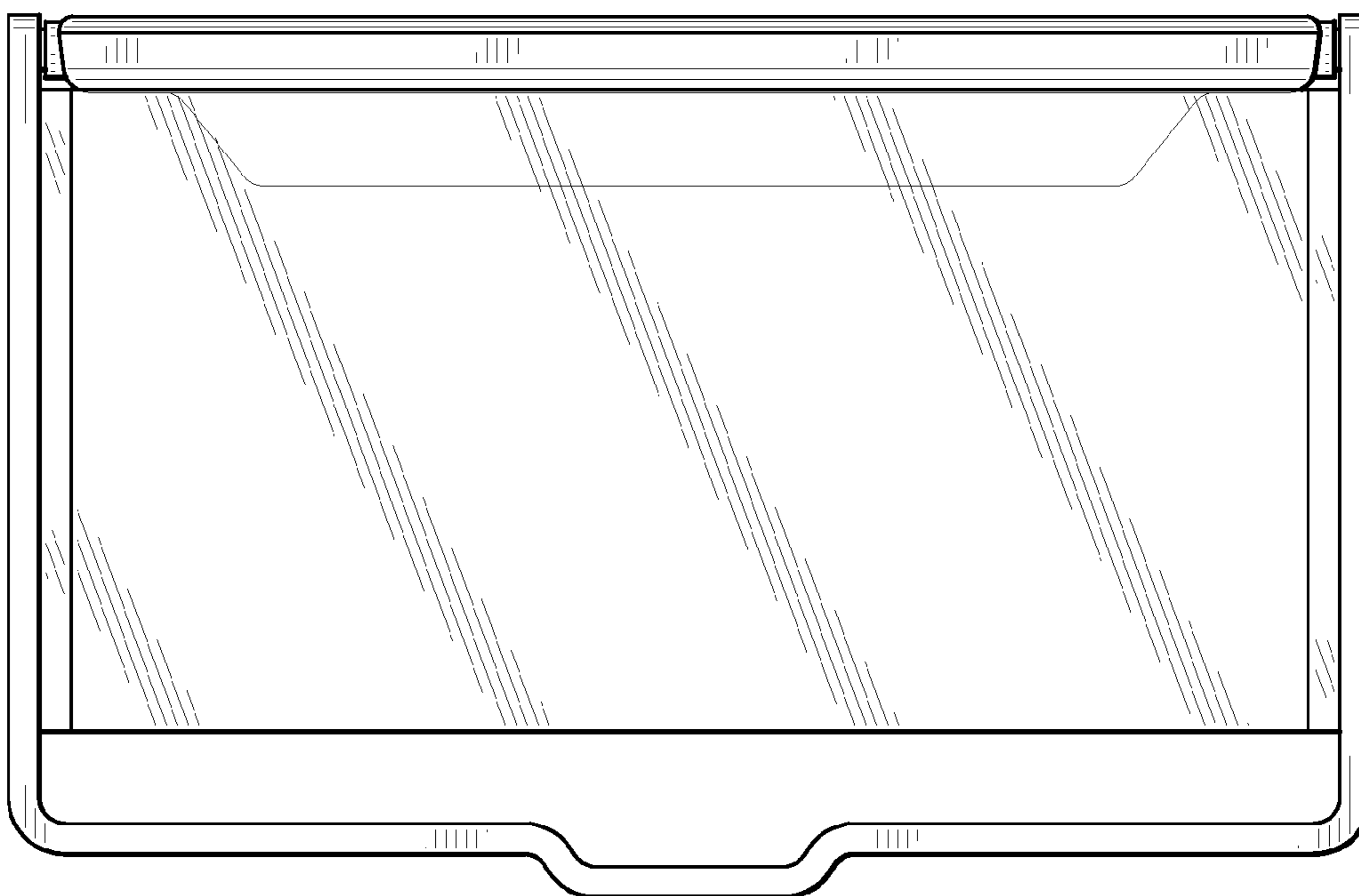


FIG. 5

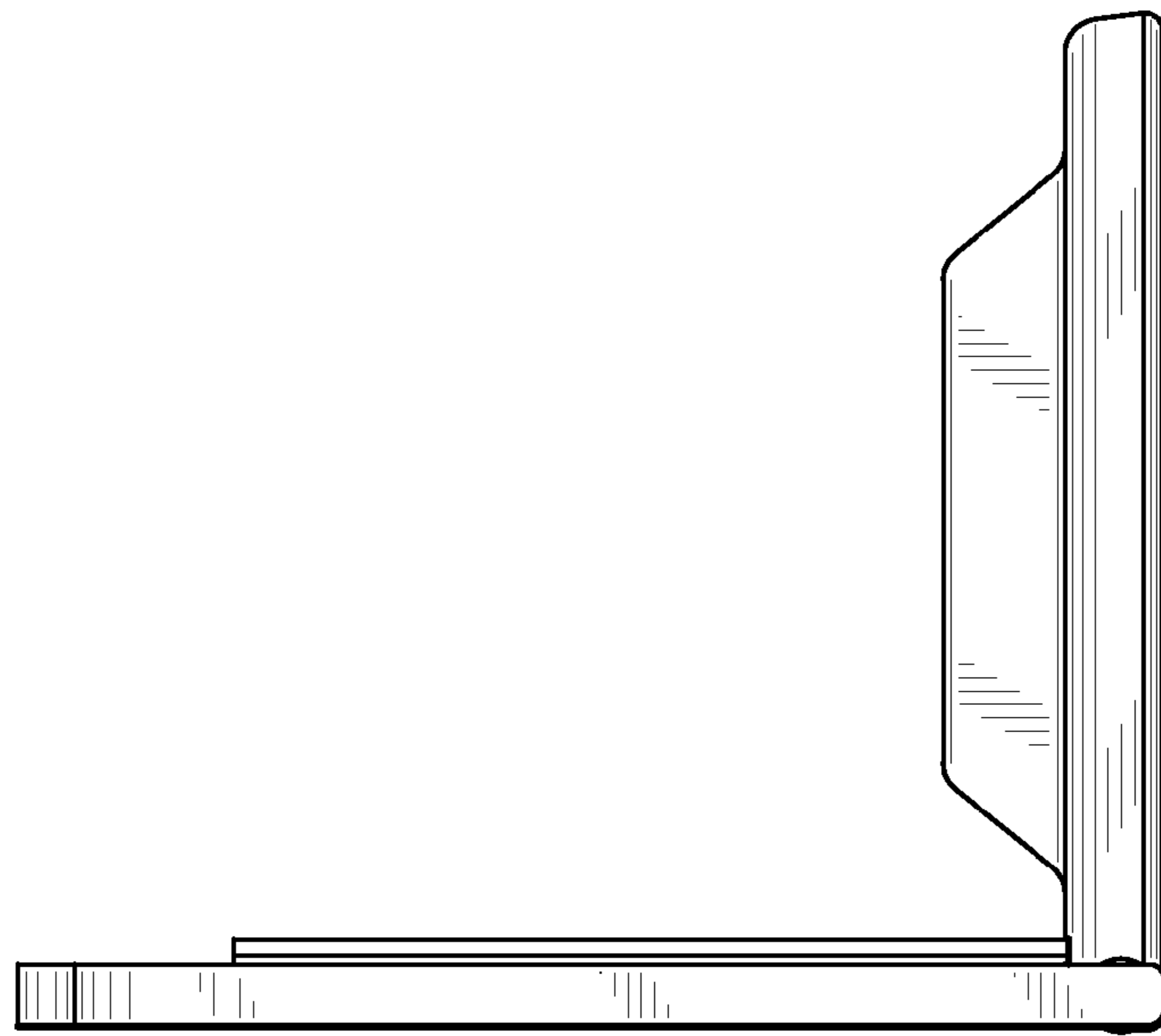


FIG. 6

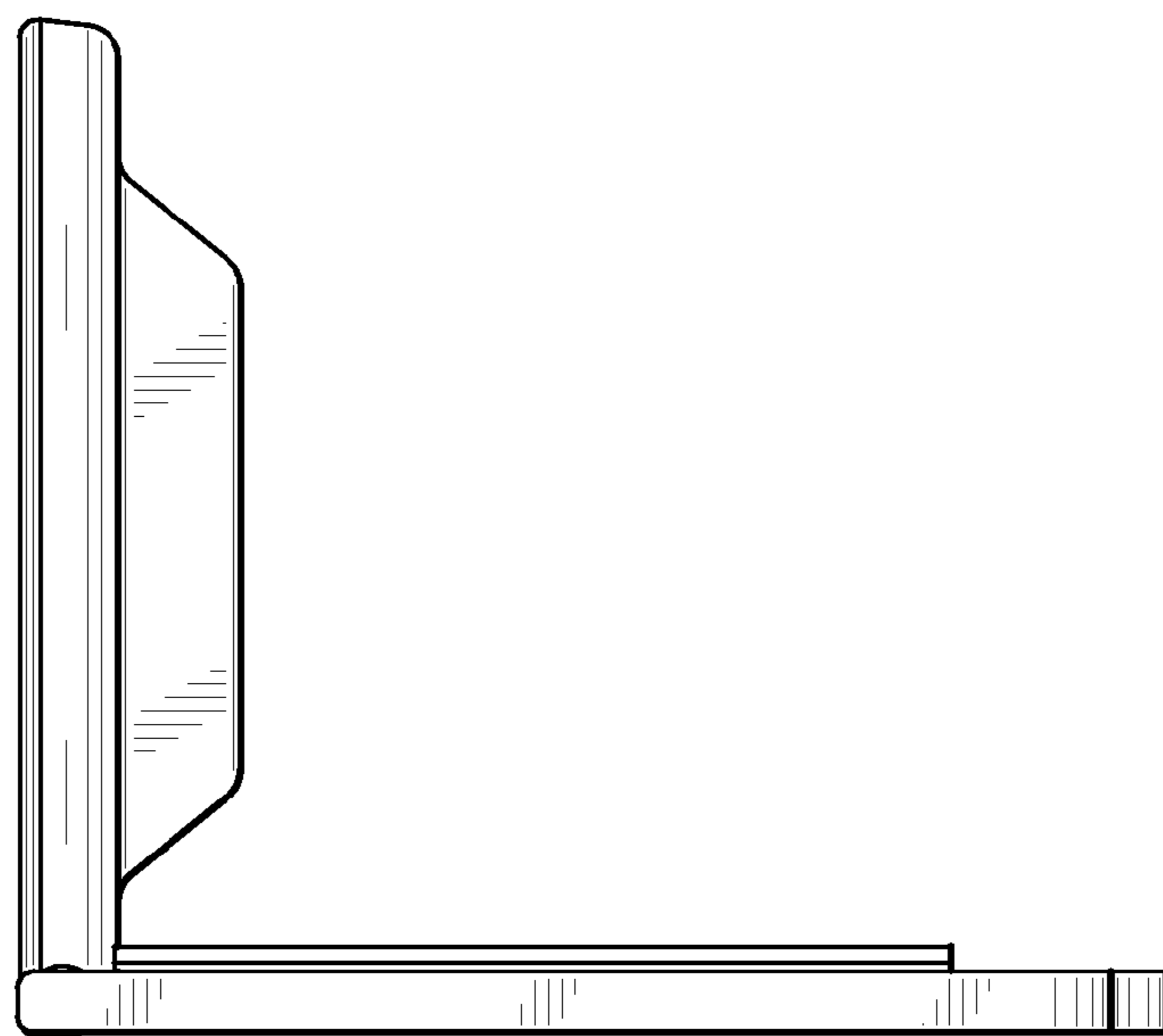


FIG. 7

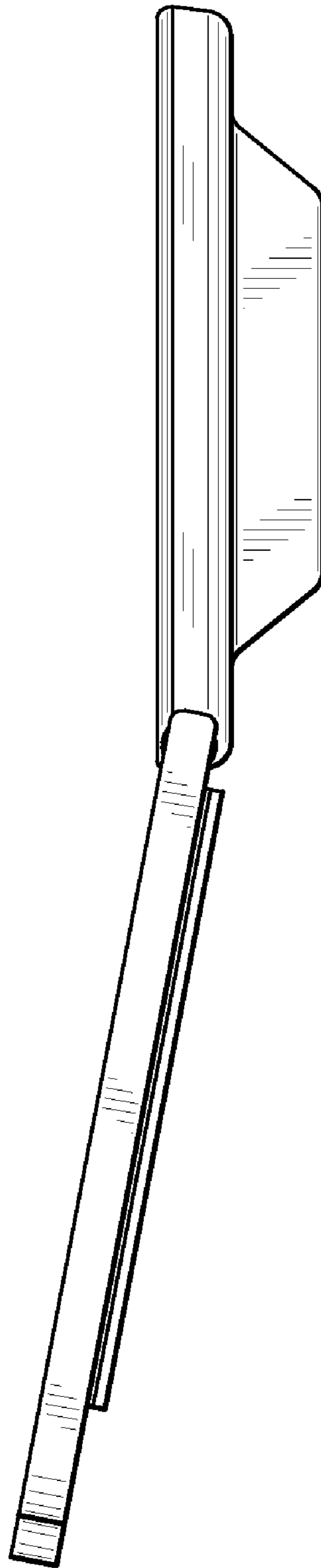


FIG. 8

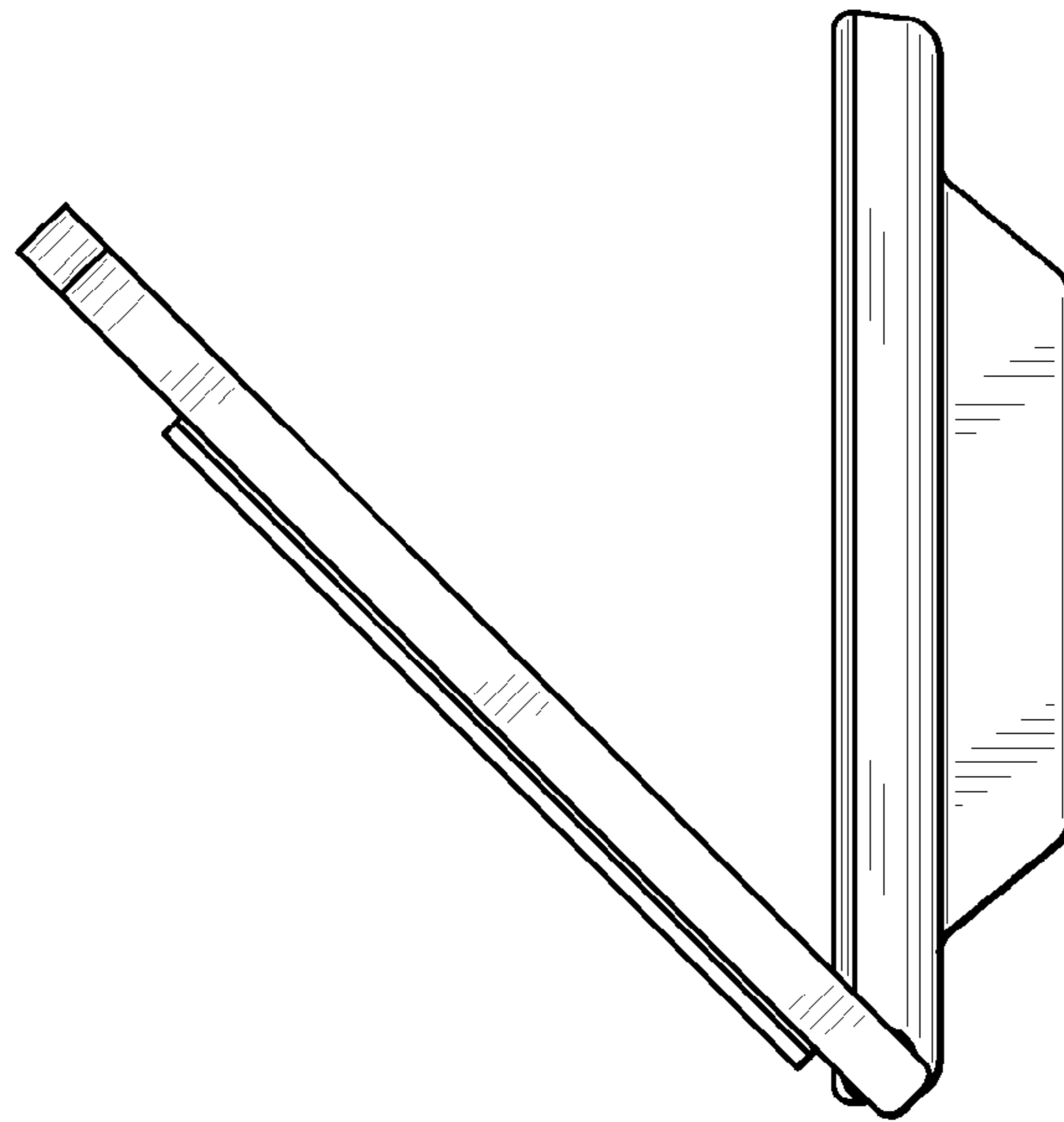


FIG. 9

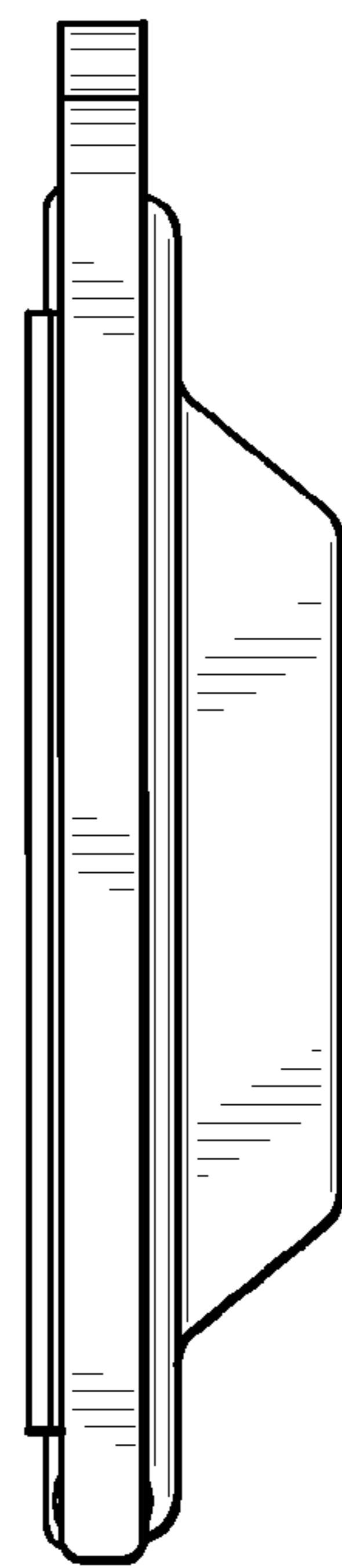


FIG. 10

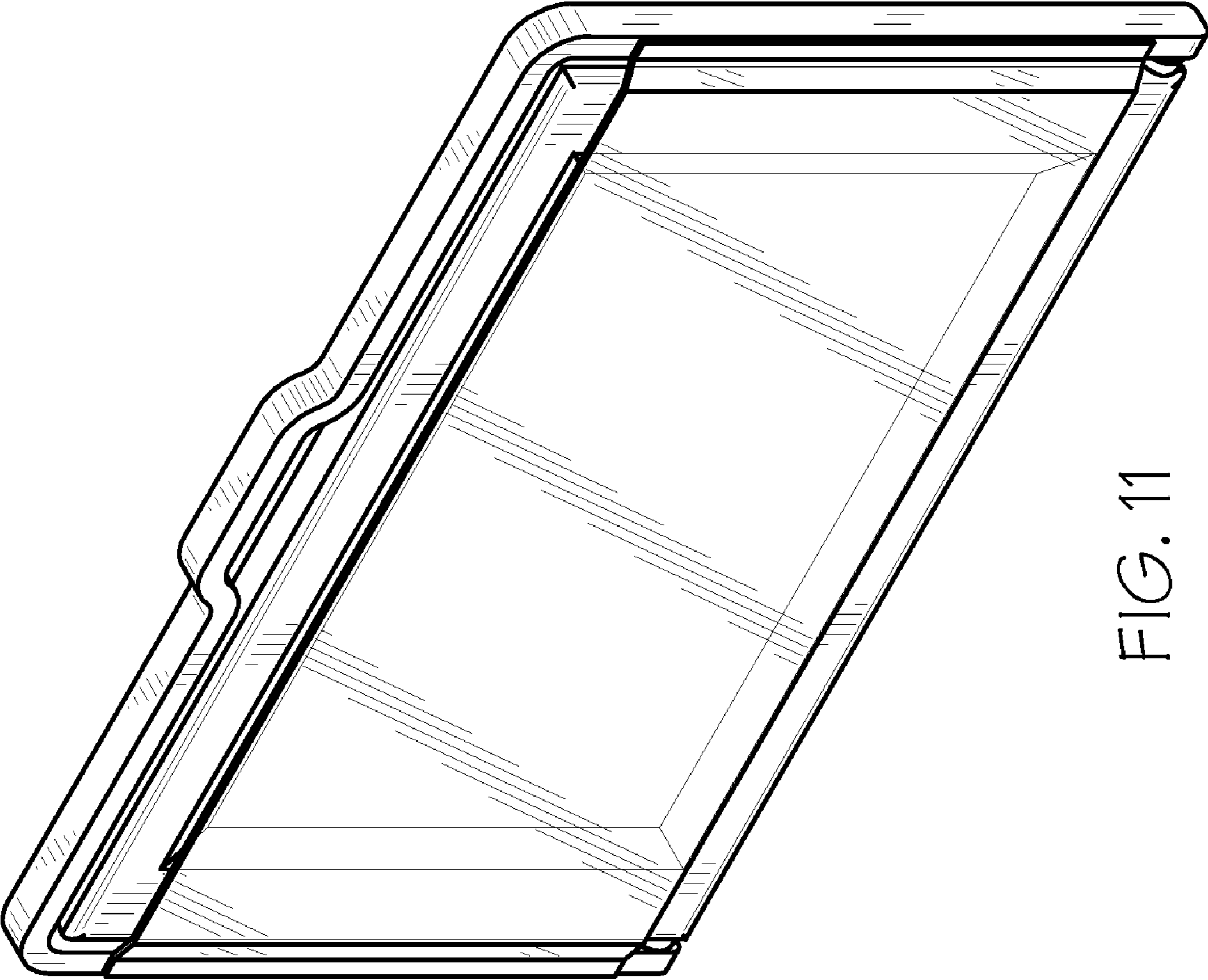


FIG. 11