

US00D555653S

(12) **United States Design Patent**
Tseng

(10) **Patent No.:** **US D555,653 S**

(45) **Date of Patent:** **** Nov. 20, 2007**

(54) **SECURE DIGITAL INPUT/OUTPUT CARD**

(75) Inventor: **Chien-Lung Tseng**, Taipei (TW)

(73) Assignee: **Avermedia Technologies, Inc.**, Taipei
Hsien (TW)

(**) Term: **14 Years**

(21) Appl. No.: **29/244,953**

(22) Filed: **Dec. 15, 2005**

(51) **LOC (8) Cl.** **14-02**

(52) **U.S. Cl.** **D14/435**

(58) **Field of Classification Search** D14/432-38,
D14/478, 242, 356; D13/184, 123, 110;
361/725-27, 796-97, 801, 735, 737, 752,
361/679-86; 439/76.1, 131, 136, 630-31,
439/607-10, 518, 638-640, 945-46, 327,
439/329, 147, 55, 74-5, 139-141, 135, 377,
439/144; 710/300-4, 2, 8, 52; 235/380,
235/492, 486; 382/127, 124, 115; 356/71;
340/5.53; 283/99; 455/90; 348/E7.061,
348/207.1, E7.056; 713/185-86; 365/185.33,
365/51, 63, 131

See application file for complete search history.

(56) **References Cited**

U.S. PATENT DOCUMENTS

D321,691 S * 11/1991 Brenda et al. D14/191
D411,202 S * 6/1999 Flanagan et al. D14/459
D413,879 S * 9/1999 Wu D14/436
D432,540 S * 10/2000 Laity et al. D14/436
D458,935 S * 6/2002 Hiroki D14/436

D478,087 S * 8/2003 Aldridge D14/433
D493,170 S * 7/2004 Ryu D14/365
D498,759 S * 11/2004 Lewis et al. D14/436
2002/0177362 A1* 11/2002 Chang 439/638
2004/0038592 A1* 2/2004 Yang 439/638
2004/0173678 A1* 9/2004 Wu 235/441

FOREIGN PATENT DOCUMENTS

KR 3020050000109 10/2005

OTHER PUBLICATIONS

Drawing cited in an Office Action dated Sep. 1, 2006 from the
Taiwanese Intellectual Property Office.

* cited by examiner

Primary Examiner—M. H. Tung
Assistant Examiner—Susan Moon Lee

(57) **CLAIM**

I claim the ornamental design for a secure digital input/
output card, as shown and described.

DESCRIPTION

FIG. 1 is a perspective view of a secure digital input/output
card showing my new design;

FIG. 2 is a right side view of FIG. 1;

FIG. 3 is a top view of FIG. 1;

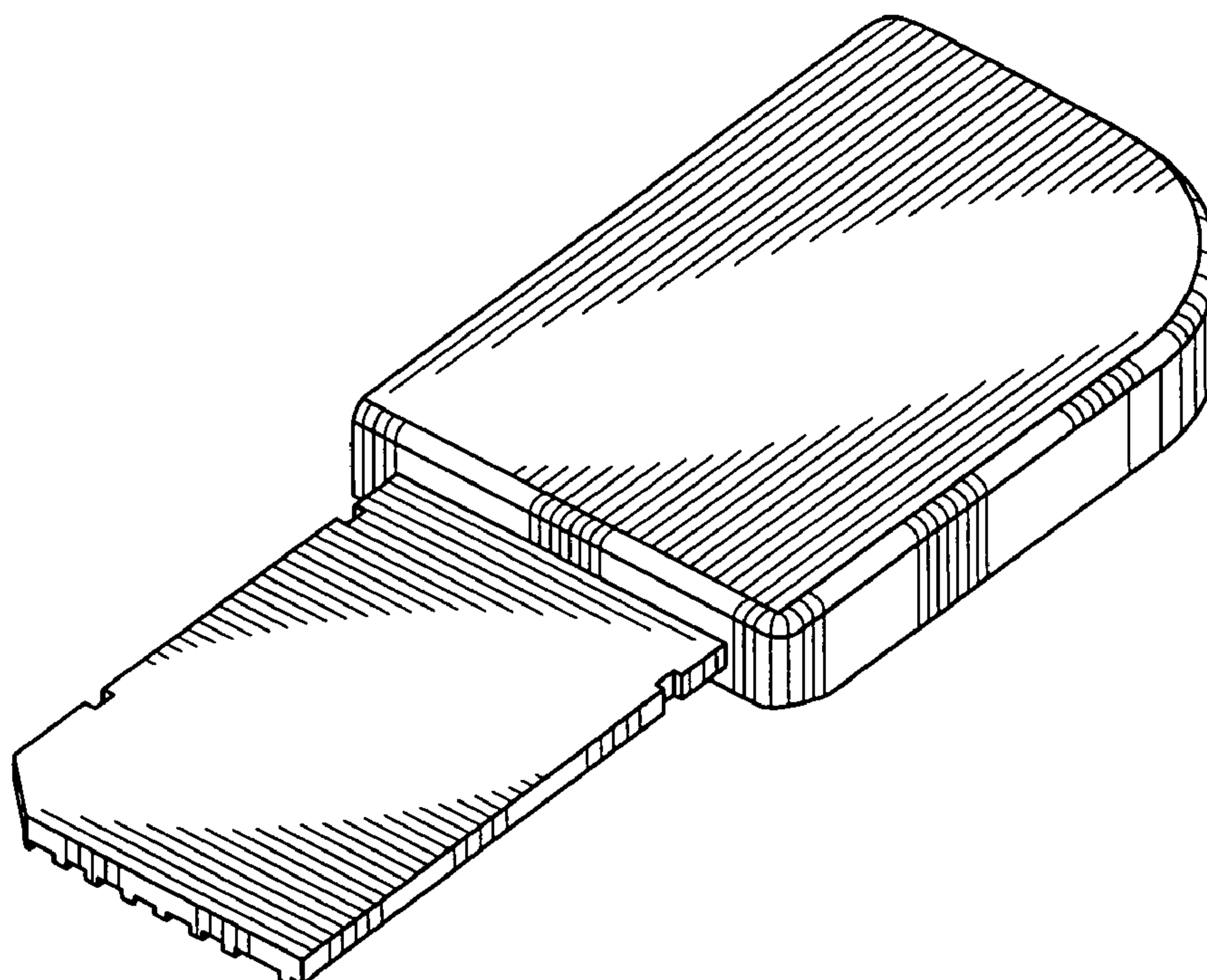
FIG. 4 is a front side view of FIG. 1;

FIG. 5 is a bottom view of FIG. 1;

FIG. 6 is a left side view of FIG. 1; and,

FIG. 7 is a rear side view of FIG. 1.

1 Claim, 7 Drawing Sheets



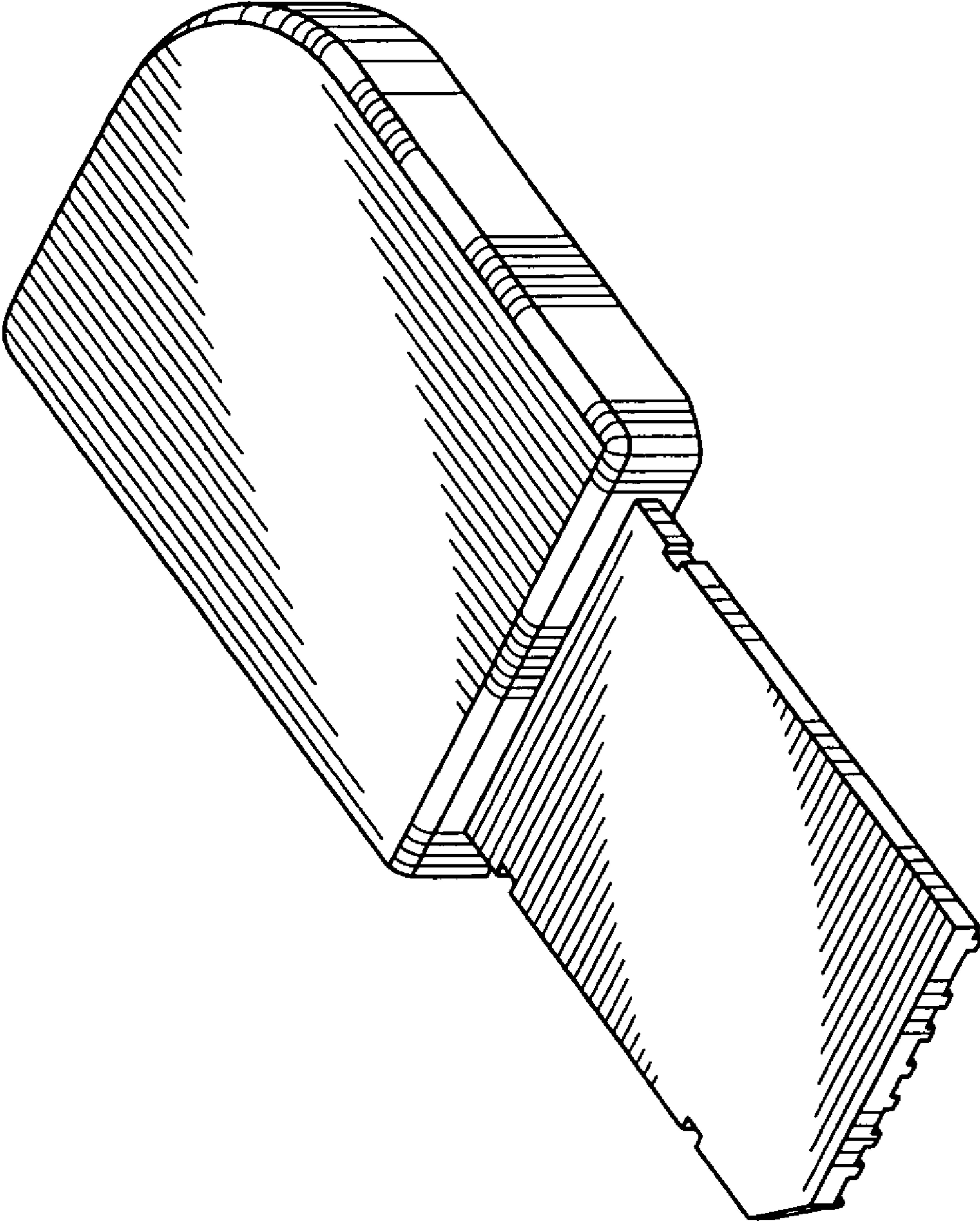


Fig. 1

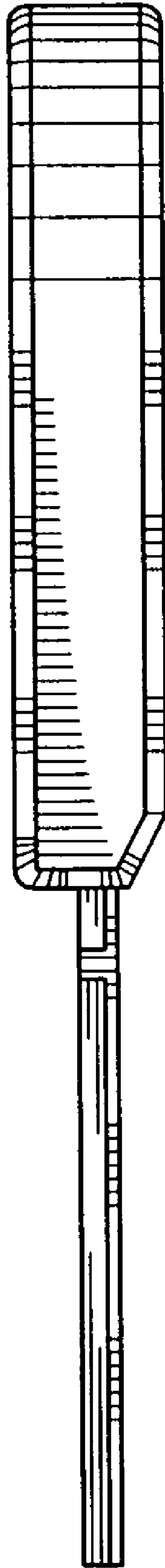


Fig. 2

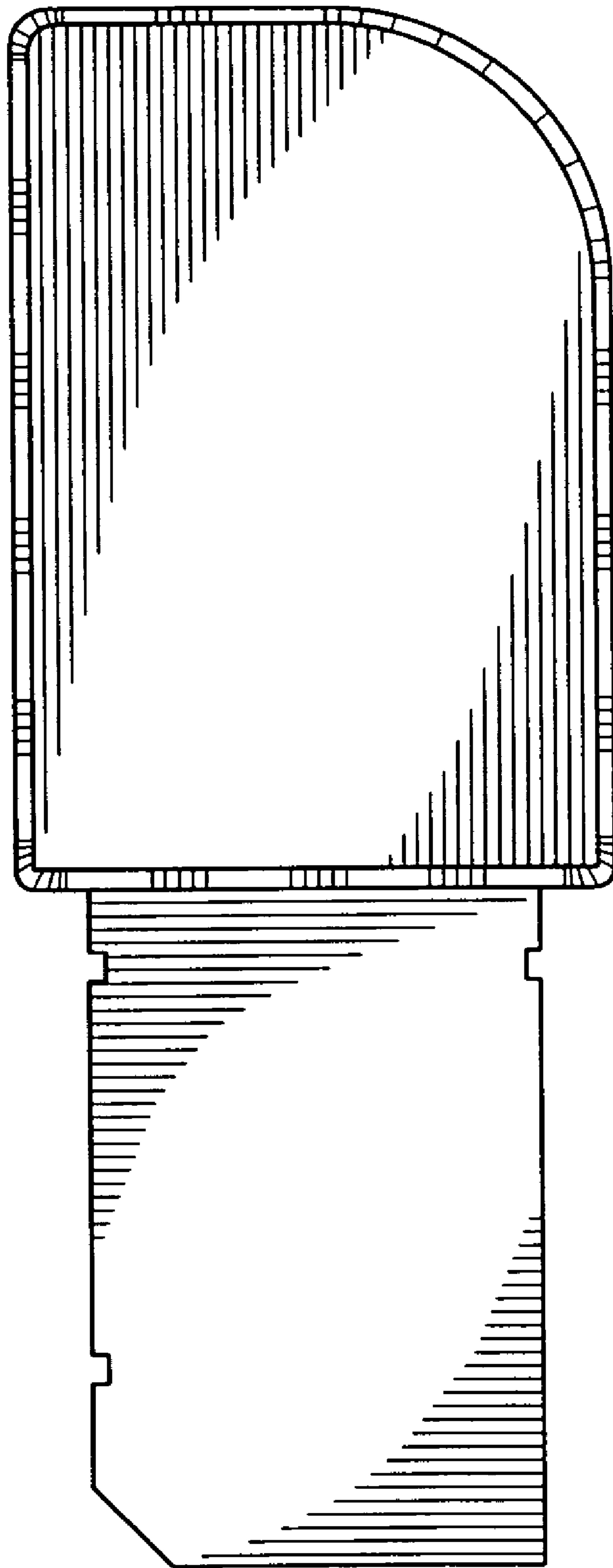


Fig.3



Fig. 4

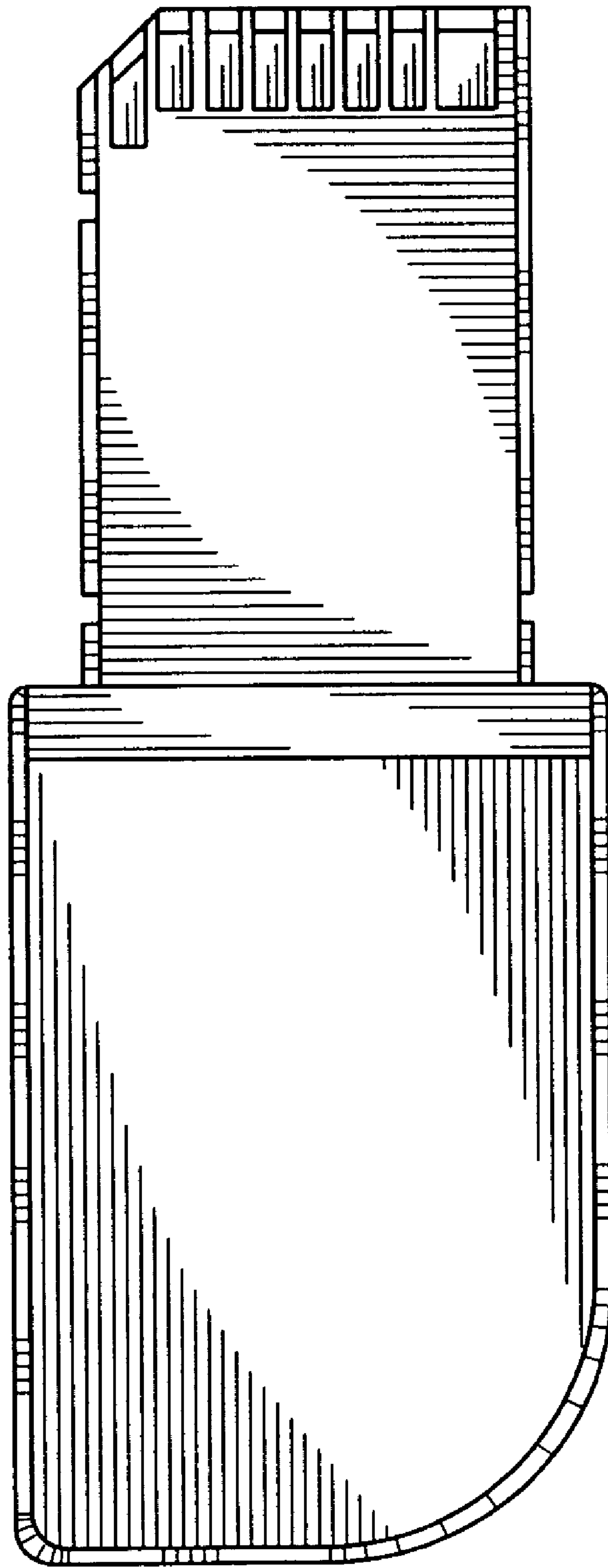


Fig.5

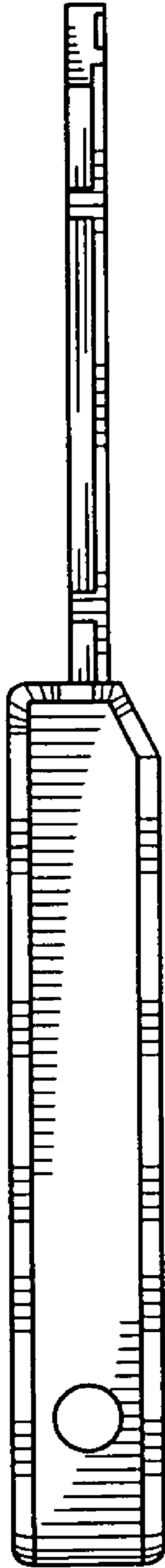


Fig. 6

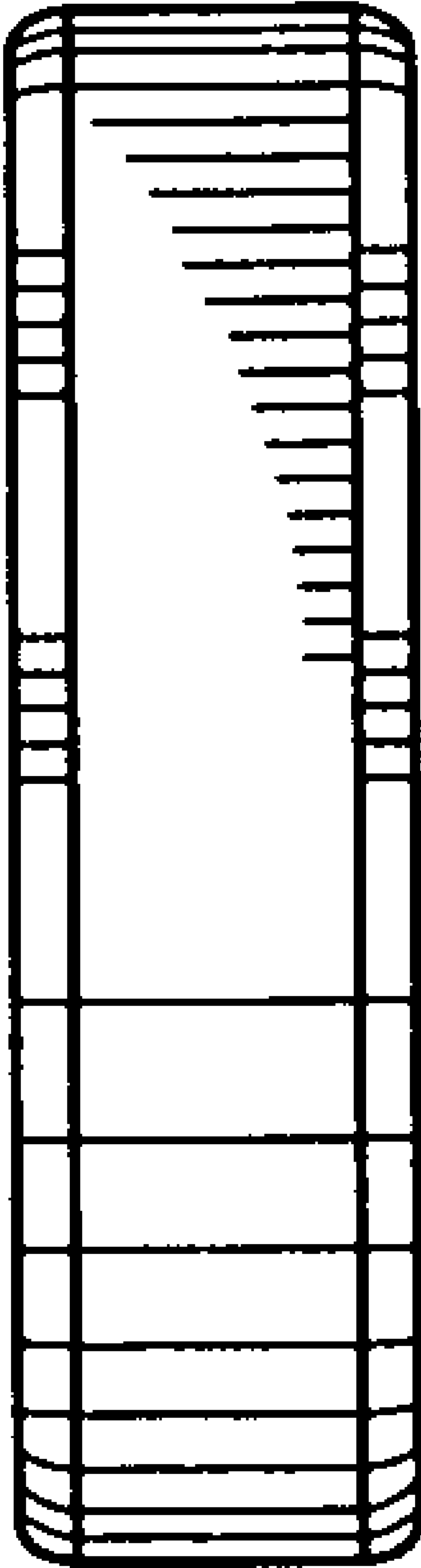


Fig. 7