



US00D555651S

(12) **United States Design Patent**
Pascucci

(10) **Patent No.:** **US D555,651 S**

(45) **Date of Patent:** **** Nov. 20, 2007**

(54) **NAVIGATION AND INPUT DEVICE FOR A
COMPUTER WORKSTATION**

(75) Inventor: **Antonio Pascucci**, Seefeld (DE)

(73) Assignee: **3DConnexion GmbH**, Seefeld (DE)

(**) Term: **14 Years**

(21) Appl. No.: **29/191,423**

(22) Filed: **Oct. 7, 2003**

(30) **Foreign Application Priority Data**

Apr. 16, 2003 (DE) 4 03 03 118

(51) **LOC (8) Cl.** **14-02**

(52) **U.S. Cl.** **D14/408**

(58) **Field of Classification Search** D14/402,
D14/408, 432-433, 439, 417; D13/110,
D13/103, 118, 146; 235/472.01, 156-167;
365/49; 463/36-38; 200/5 A, 5 R, 6 A,
200/6 R; 273/148 B

See application file for complete search history.

(56) **References Cited**

U.S. PATENT DOCUMENTS

D381,013 S *	7/1997	Allana et al.	D14/408
D433,994 S *	11/2000	Jobs et al.	D13/110
D434,038 S *	11/2000	Ho	D14/408
D464,052 S *	10/2002	Fletcher	D14/408
D477,603 S *	7/2003	Chen	D14/433
D479,823 S *	9/2003	Andre et al.	D13/110

OTHER PUBLICATIONS

Griffin Technology, *PowerMate, USB Multimedia Controller & Input Device* (Aluminum), at <http://www.griffintechology.com/products/powermate/index.html> (2002).
Griffin Technology, *PowerMate, USB Multimedia Controller & Input Device* (Black), at <http://www.griffintechology.com/products/powermate/index.html> (2002).

Griffin Technology, *PowerMate Features* (Aluminum), at <http://www.griffintechology.com/products/powermate/features.html> (2002).

Griffin Technology, *PowerMate Features* (Black), at <http://www.griffintechology.com/products/powermate/features.html> (2002).

Griffin Technology, *PowerMate Technical Specifications*, at <http://www.griffintechology.com/products/powermate/techspecs.html> (2002).

Griffin Technology, *PowerMate Tips & Tricks* (Aluminum), at <http://www.griffintechology.com/products/powermate/tips.html> (2002).

Griffin Technology, *PowerMate Tips & Tricks* (Black), at <http://www.griffintechology.com/products/powermate/tips.html> (2002).

Griffin Technology, *PowerMate, USB Multimedia Controller & Input Device* (Black), at <http://www.griffintechology.com/products/powermate/blackpm.html> (2002).

(Continued)

Primary Examiner—Pamela J. Burgess

(74) *Attorney, Agent, or Firm*—Wood, Herron & Evans, LLP

(57) **CLAIM**

The ornamental design for a navigation and input device for a computer workstation, as shown and described.

DESCRIPTION

FIG. 1 is a perspective view of a navigation and input device for a computer workstation showing my new design;

FIG. 2 is a side elevational view thereof;

FIG. 3 is a top plan view thereof;

FIG. 4 is a second side elevational view thereof;

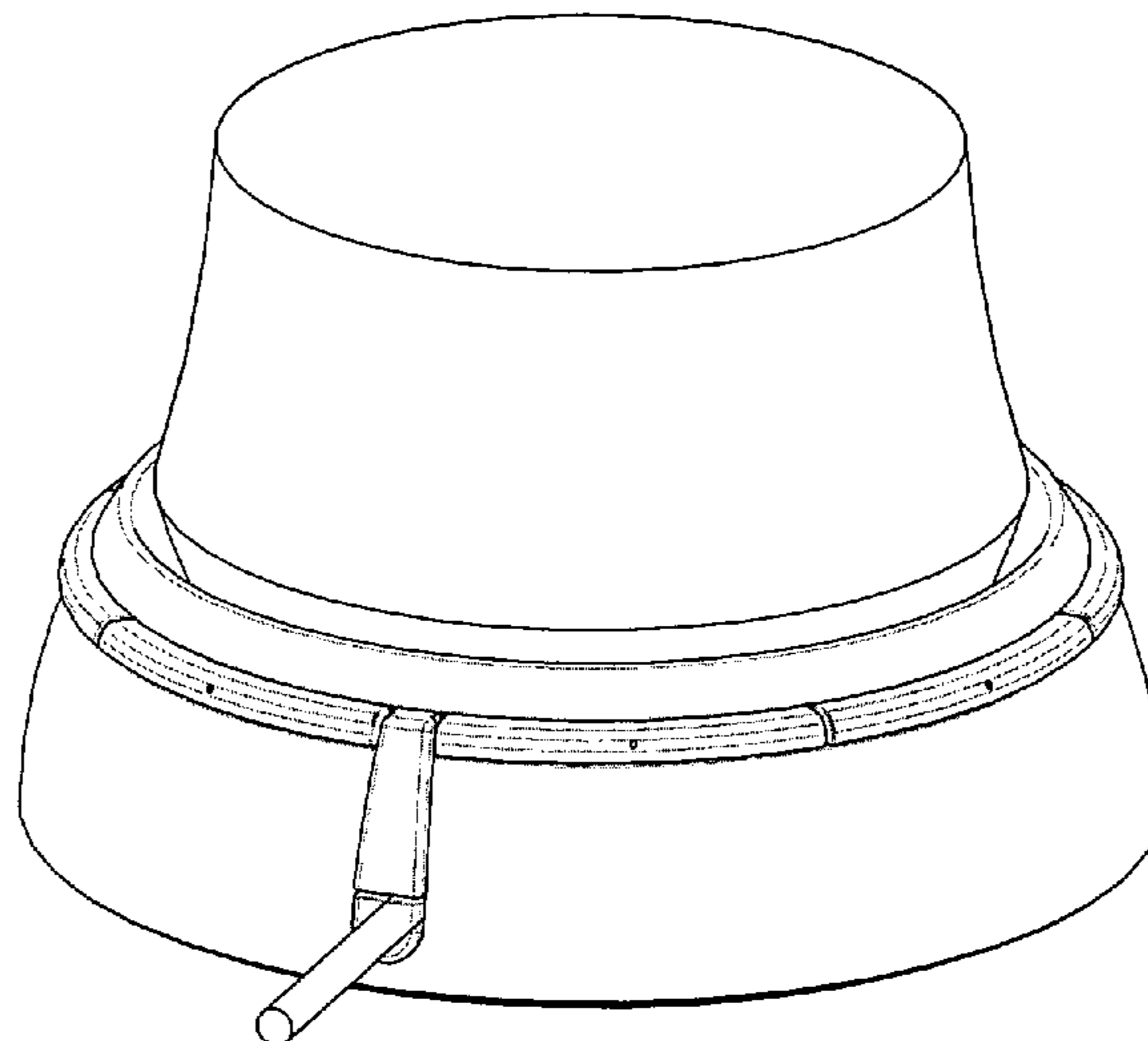
FIG. 5 is a rear elevational view thereof;

FIG. 6 is a perspective view thereof, shown without the connecting cable for clarity of disclosure;

FIG. 7 is a front elevational view thereof, shown without the connecting cable for clarity of disclosure; and,

FIG. 8 is a bottom plan view thereof.

1 Claim, 8 Drawing Sheets



OTHER PUBLICATIONS

Grant McKenzie, *No monkeying around with digi-sound*, Business Edge: Alberta's Guide to the New Economy, at http://www.members.shaw.ca/mcink/edge_041102_ShinyGadgets.html (Apr. 11, 2002).

Kenny Hemphill, *Griffin PowerMate*, at <http://www.macuser.co.uk/andrewbg/printreview.php3?id=35916> (Jun. 13, 2002).

Jim Cheeseman, *Review: Griffin Technology PowerMate*, Right on Mac, at <http://www.rightonmac.com/articles/02/02/26-powermate.html> (Feb. 26, 2002).

Peter Kim, *Review: PowerMate USB Controller*, Tekserve, at <http://www.go2mac.com/story.lasso?newsID=8809> (Jan. 4, 2002).

* cited by examiner

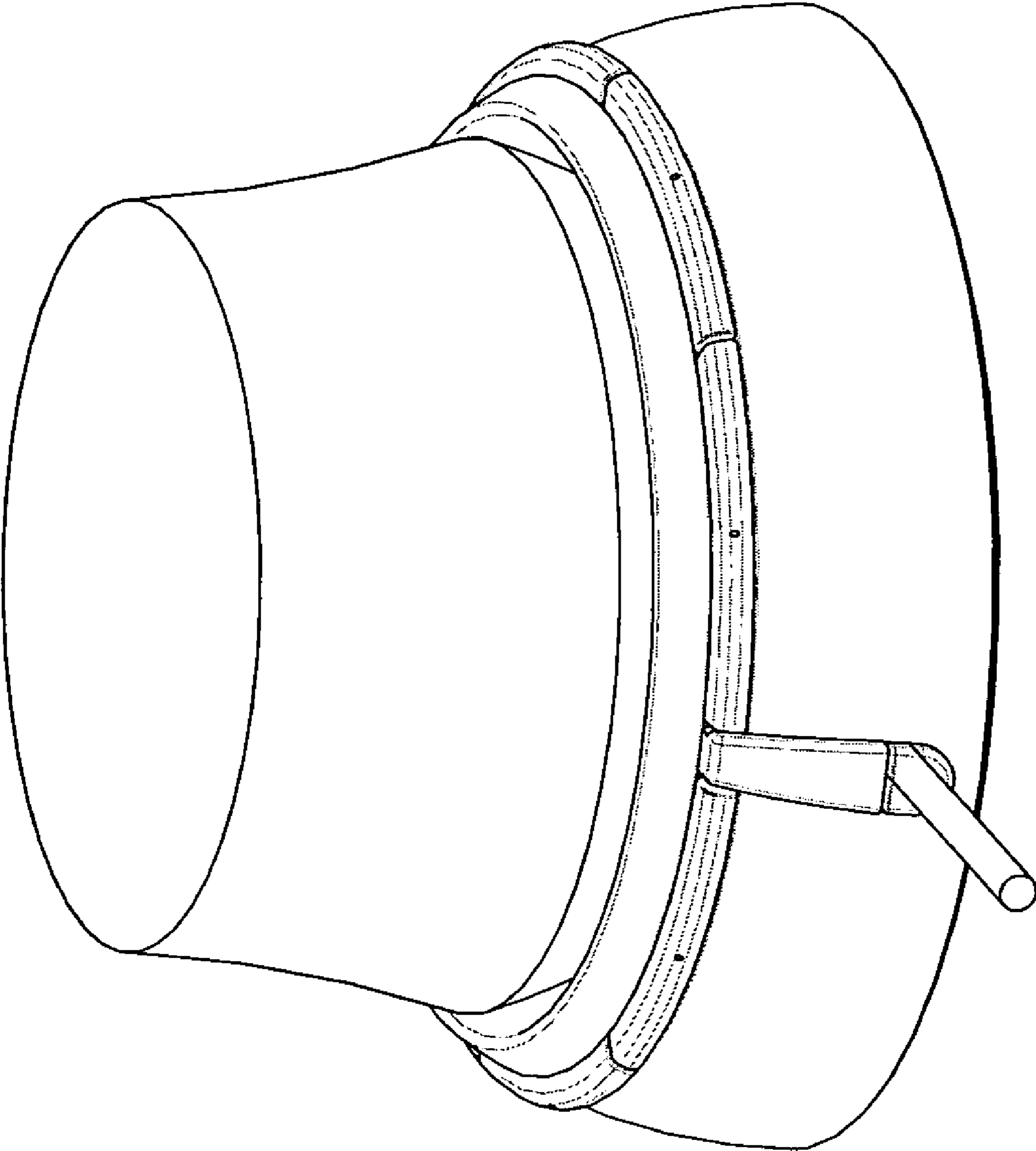


Fig. 1

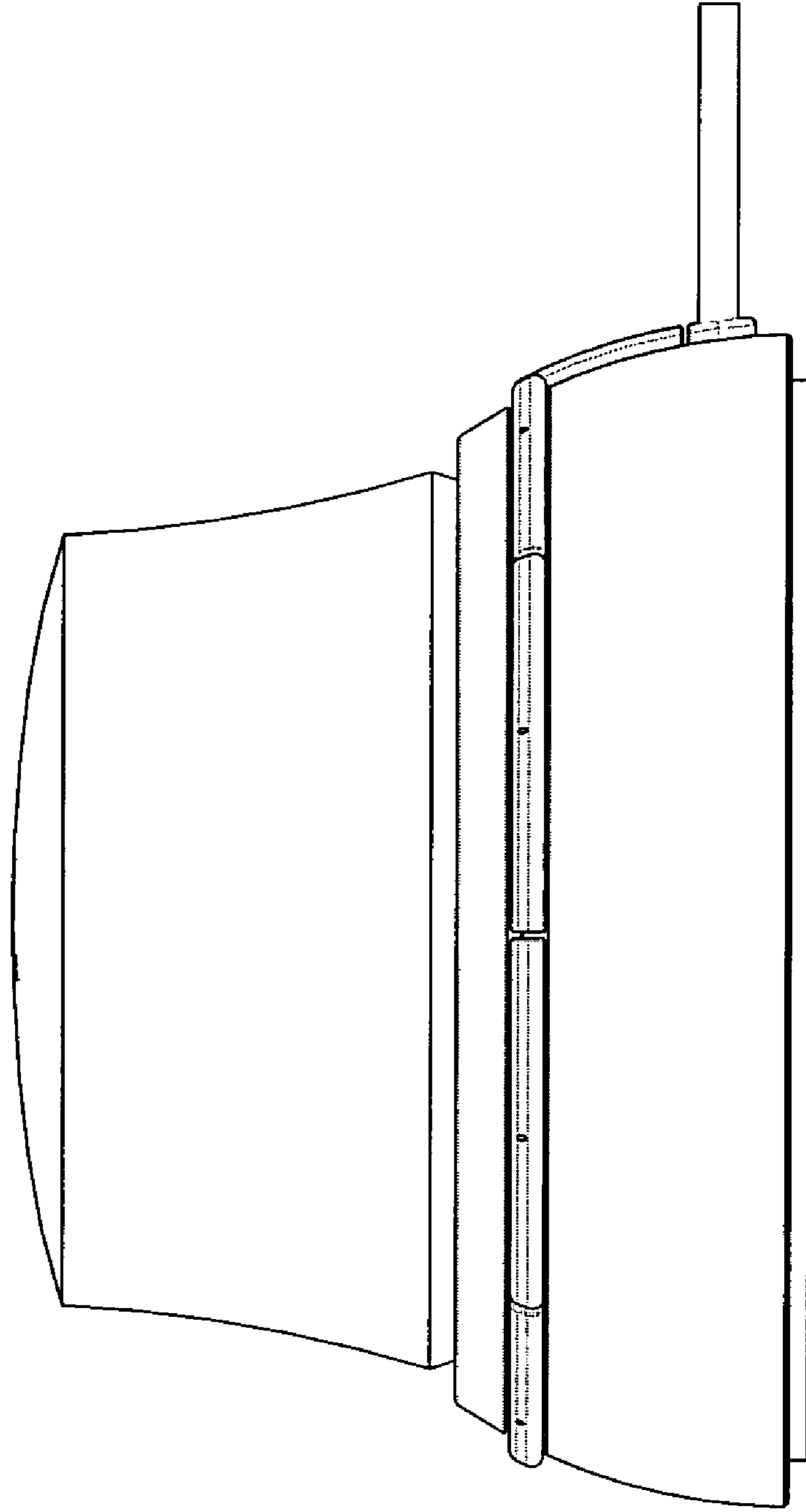


Fig. 2

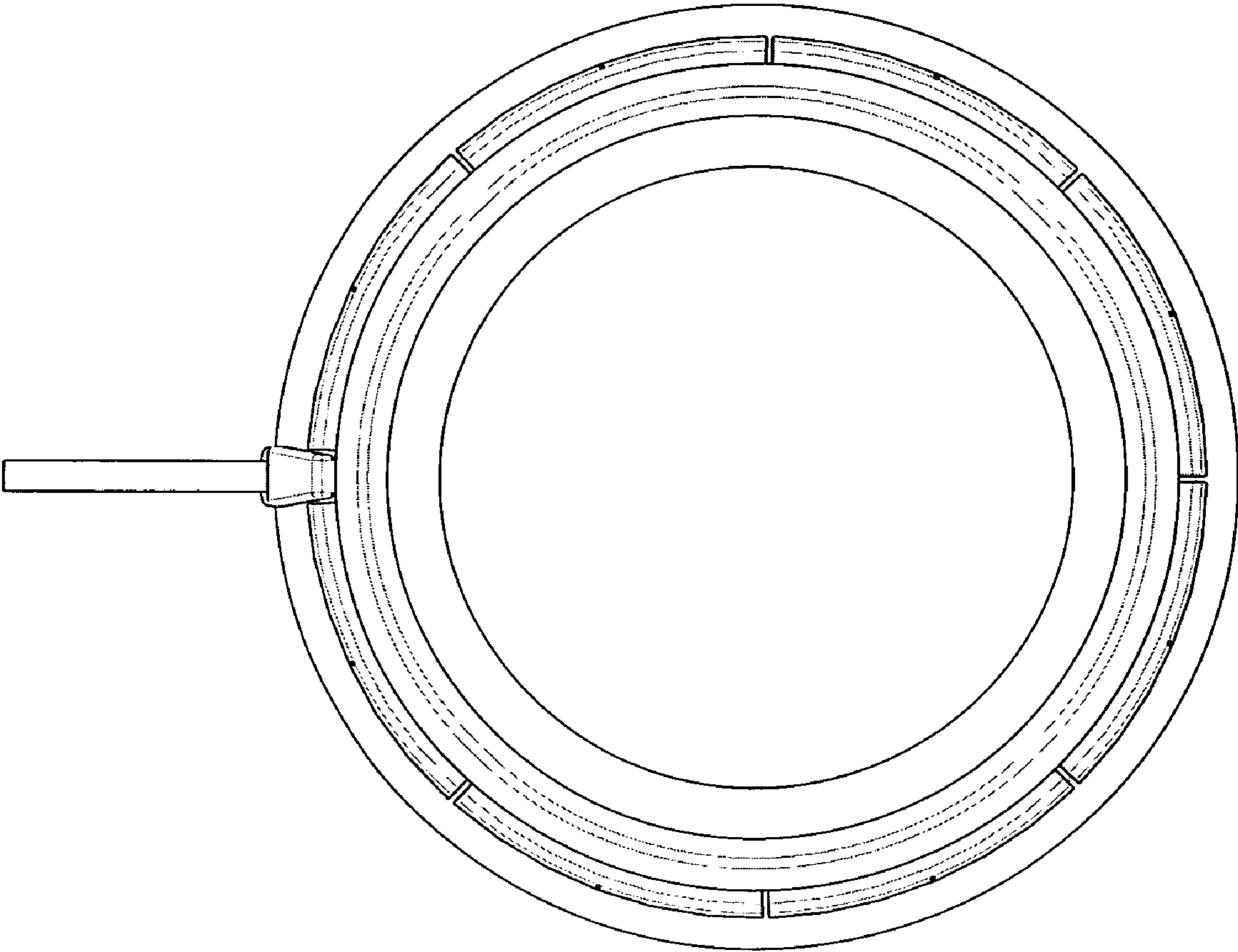


Fig. 3

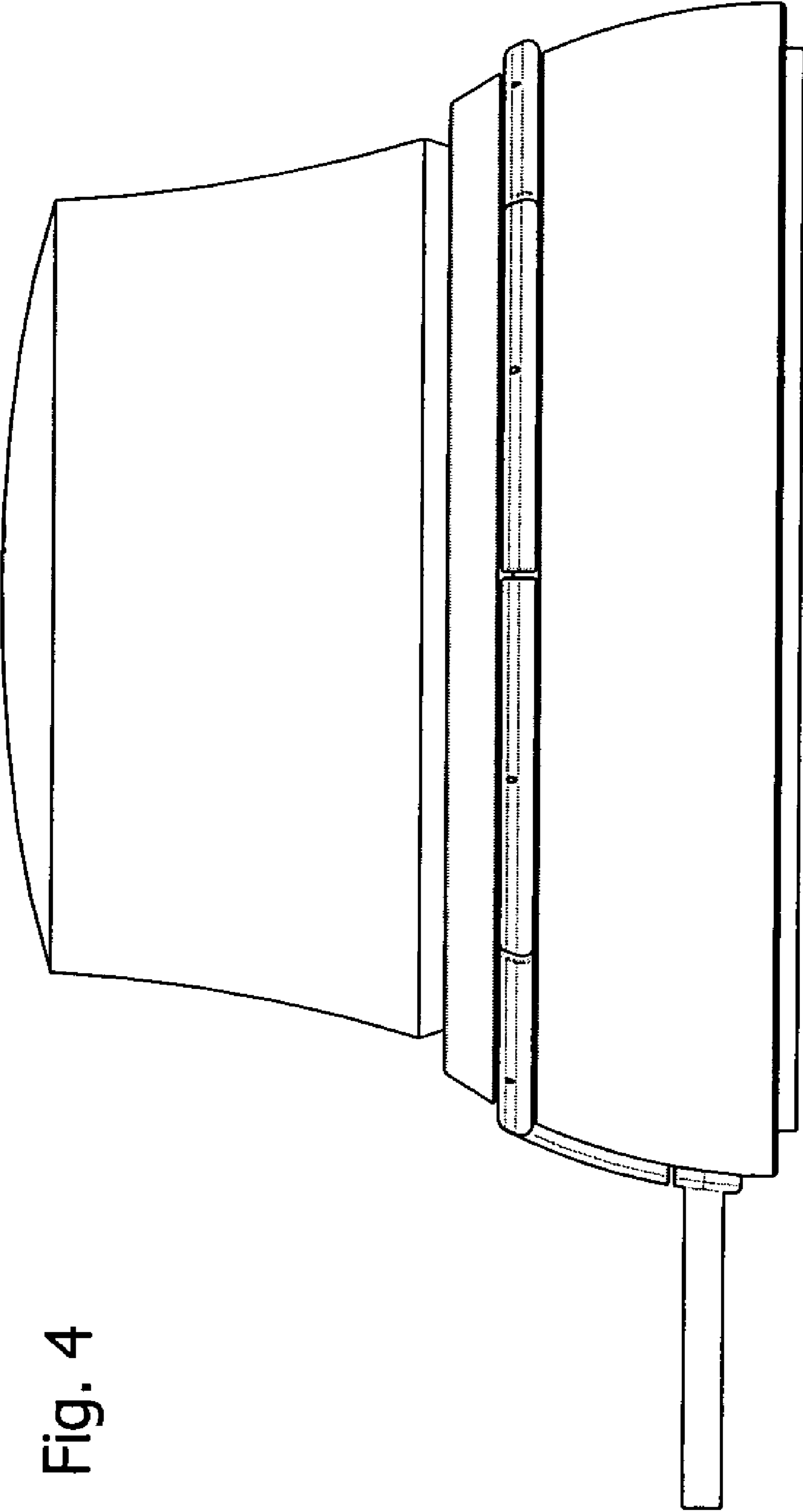


Fig. 4

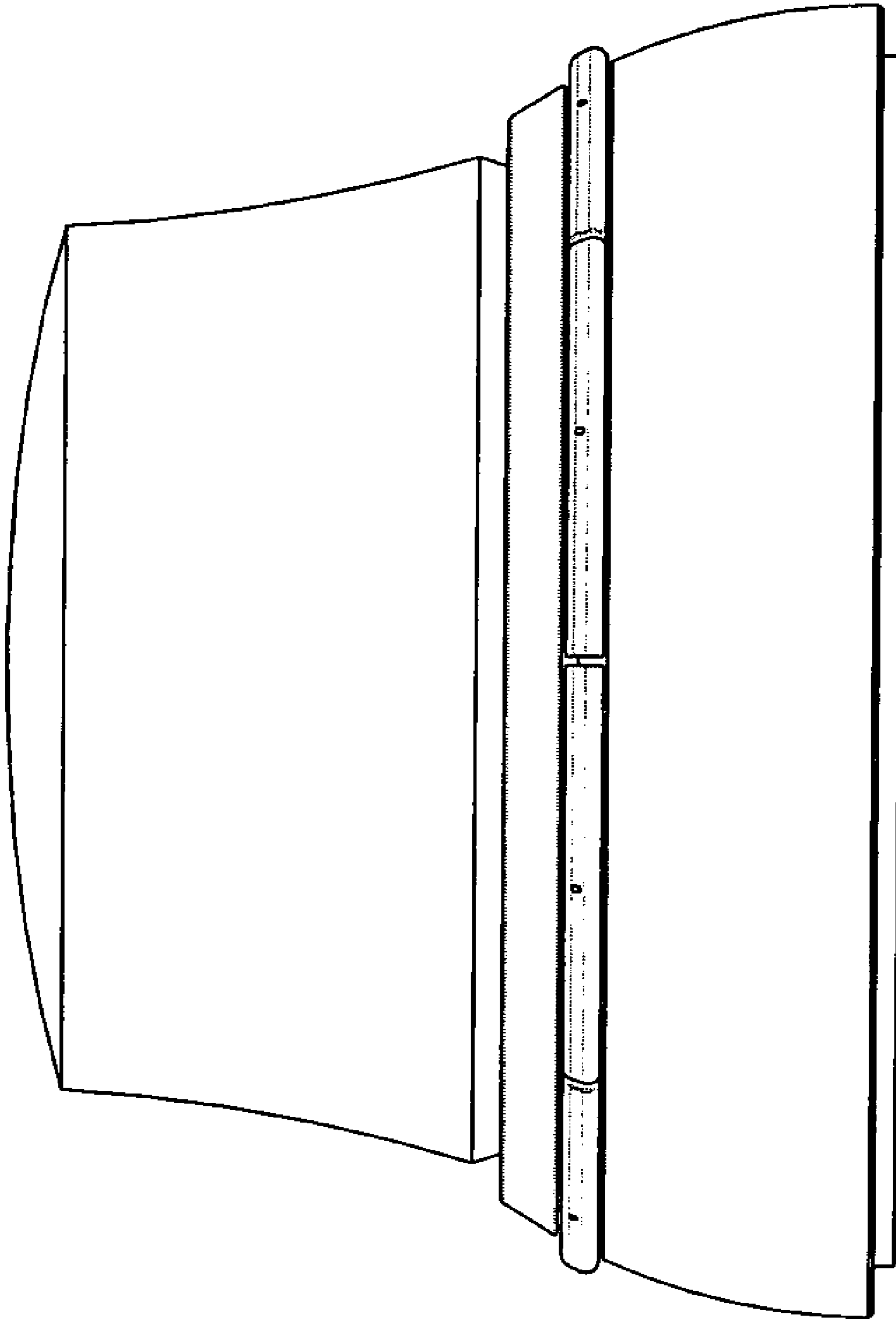


Fig. 5

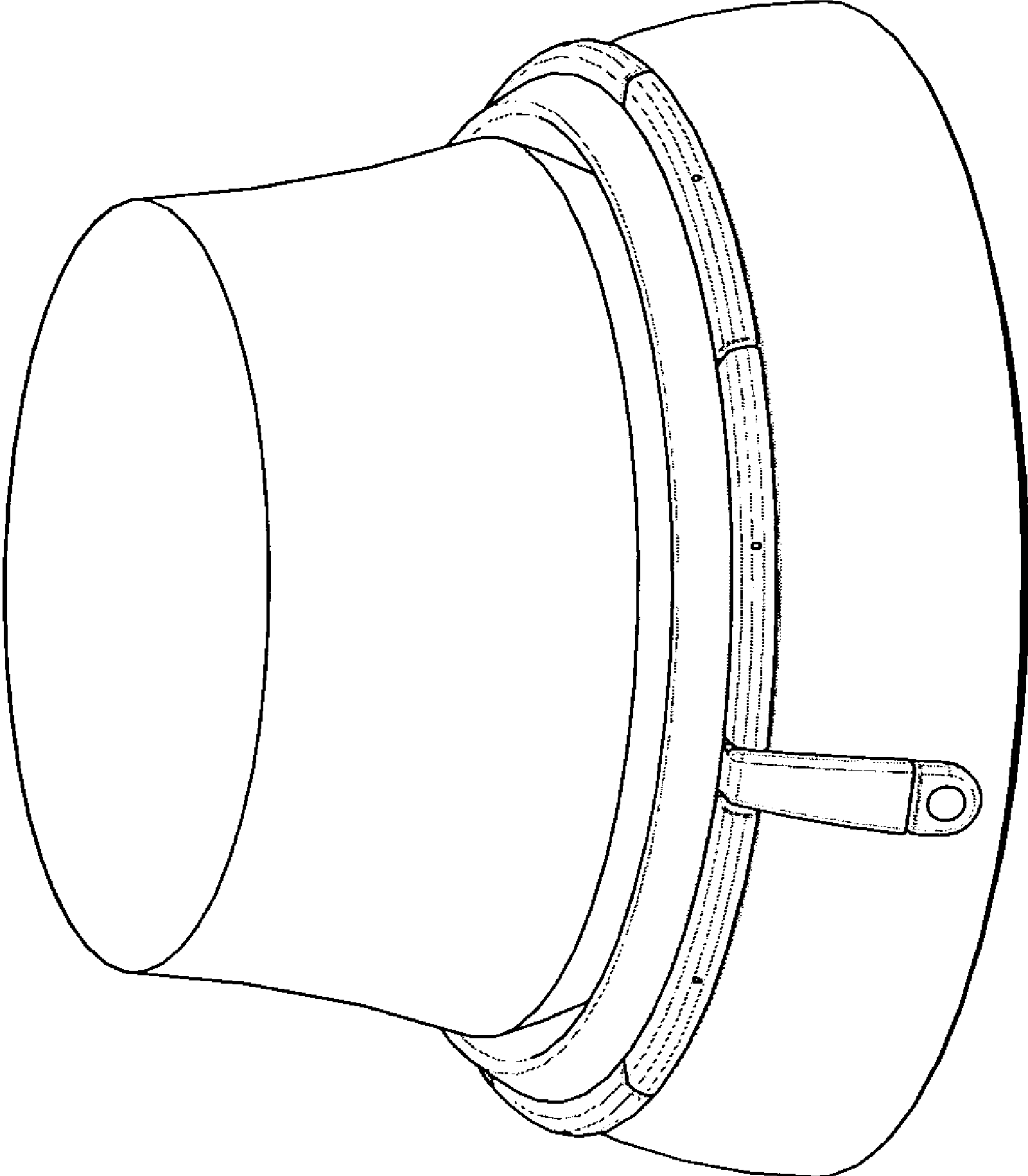


Fig. 6

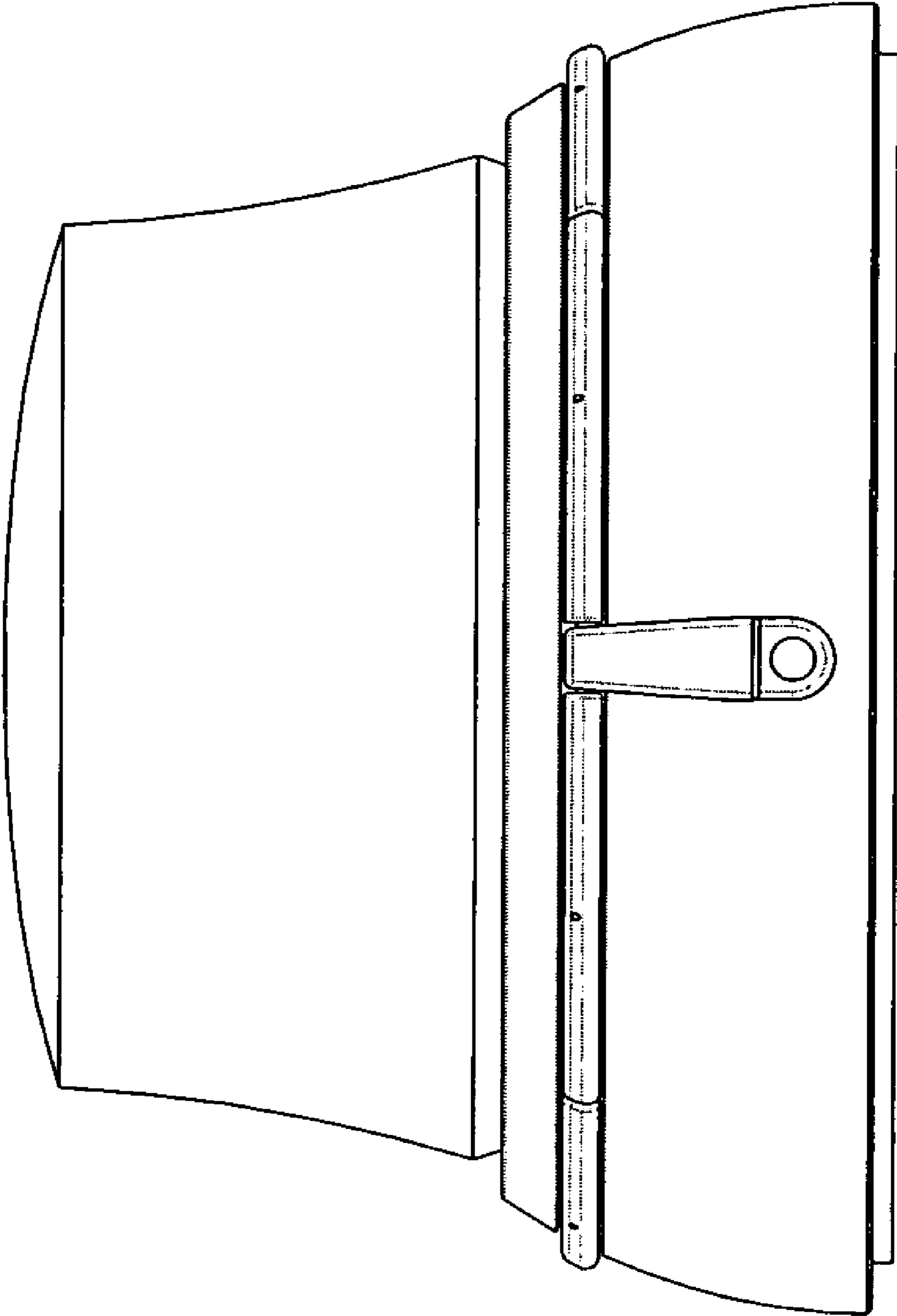


Fig. 7

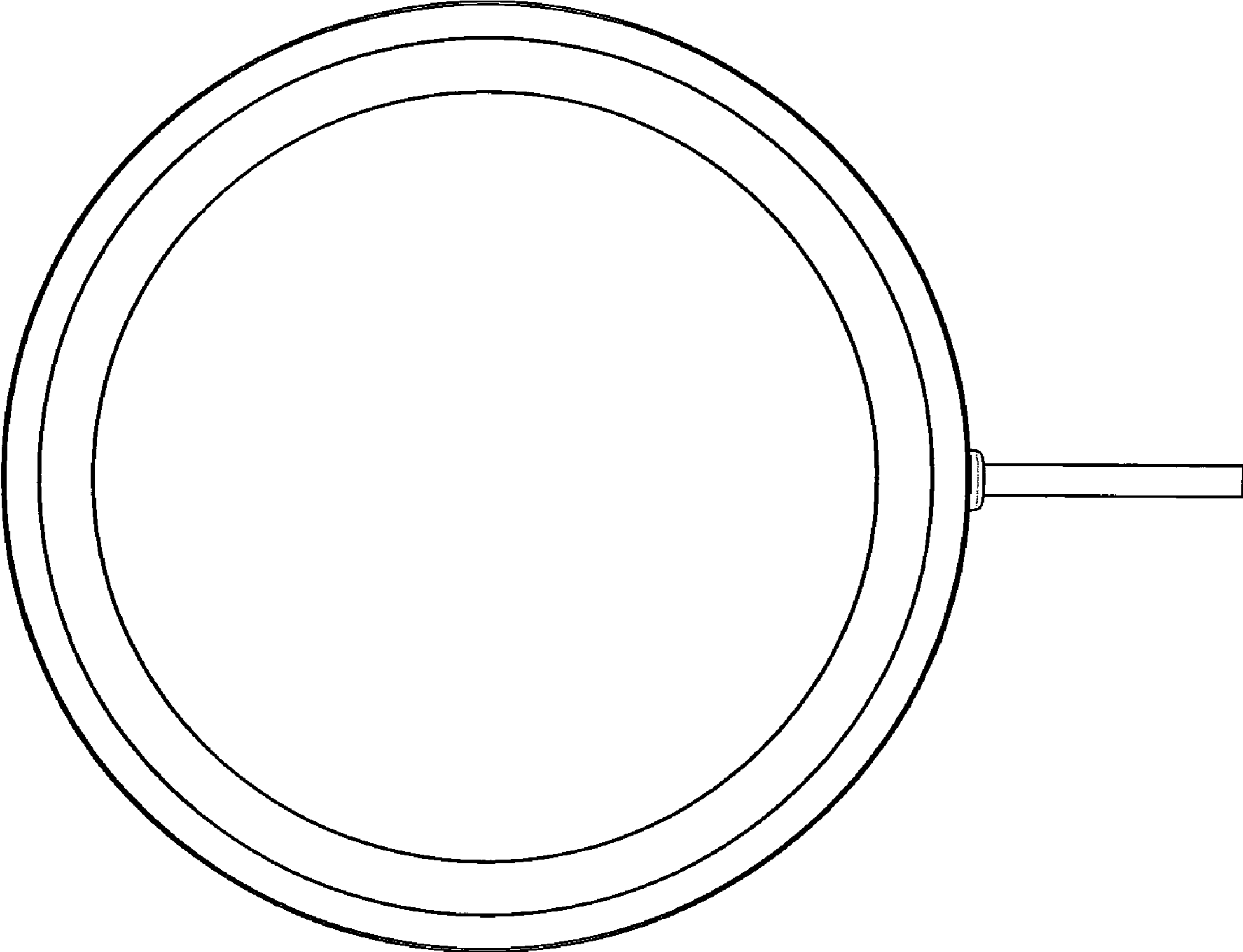


Fig. 8