

US00D555650S

(12) **United States Design Patent**
Hippenstiel et al.

(10) **Patent No.:** **US D555,650 S**

(45) **Date of Patent:** **** Nov. 20, 2007**

(54) **COMPUTER KEYBOARD WITH OVERSIZED KEYS AND MULTIPLE ADJUSTABLE LEGS**

(76) Inventors: **Brad Hippenstiel**, 4709 46th St., NW., Washington, DC (US) 20016; **Gerard Boller**, 128 S. Wise St., Arlington, VA (US) 22204

(**) Term: **14 Years**

(21) Appl. No.: **29/260,140**

(22) Filed: **May 19, 2006**

(51) **LOC (8) Cl.** **14-02**

(52) **U.S. Cl.** **D14/396**

(58) **Field of Classification Search** D14/391-396, D14/455; D18/1, 2, 7, 11, 12.2; 178/17 A, 178/17 C; 200/5 A, 5 R, 6 A, 6 R; 235/145 A, 235/145 R; 345/160, 168, 169; 341/22, 341/23; 400/484-489, 492; 361/680-686
See application file for complete search history.

(56) **References Cited**

U.S. PATENT DOCUMENTS

D270,729 S *	9/1983	Lahey et al.	D14/392
D295,761 S *	5/1988	Nishibori et al.	D18/12.2
D426,834 S *	6/2000	Der	D14/396
D439,903 S *	4/2001	Kaneko et al.	D14/396
D442,177 S *	5/2001	Chang et al.	D14/392
D458,930 S *	6/2002	Swansey et al.	D14/396

* cited by examiner

Primary Examiner—Freda S. Nunn

(74) *Attorney, Agent, or Firm*—White-Welker & Welker, LLC

(57) **CLAIM**

The ornamental design for a computer keyboard with oversized keys and multiple adjustable legs, as shown and described.

DESCRIPTION

FIG. 1 is a top plan view of the computer keyboard with oversized keys;

FIG. 2 is a front view of the computer keyboard of the present invention with its front legs extended;

FIG. 3 is a side view of the computer keyboard of the present invention with its front and back legs extended, the front of the keyboard is on the left and the back of the keyboard is on the right, illustrating one of the multiple angles at which the keyboard may be set by the adjustable legs;

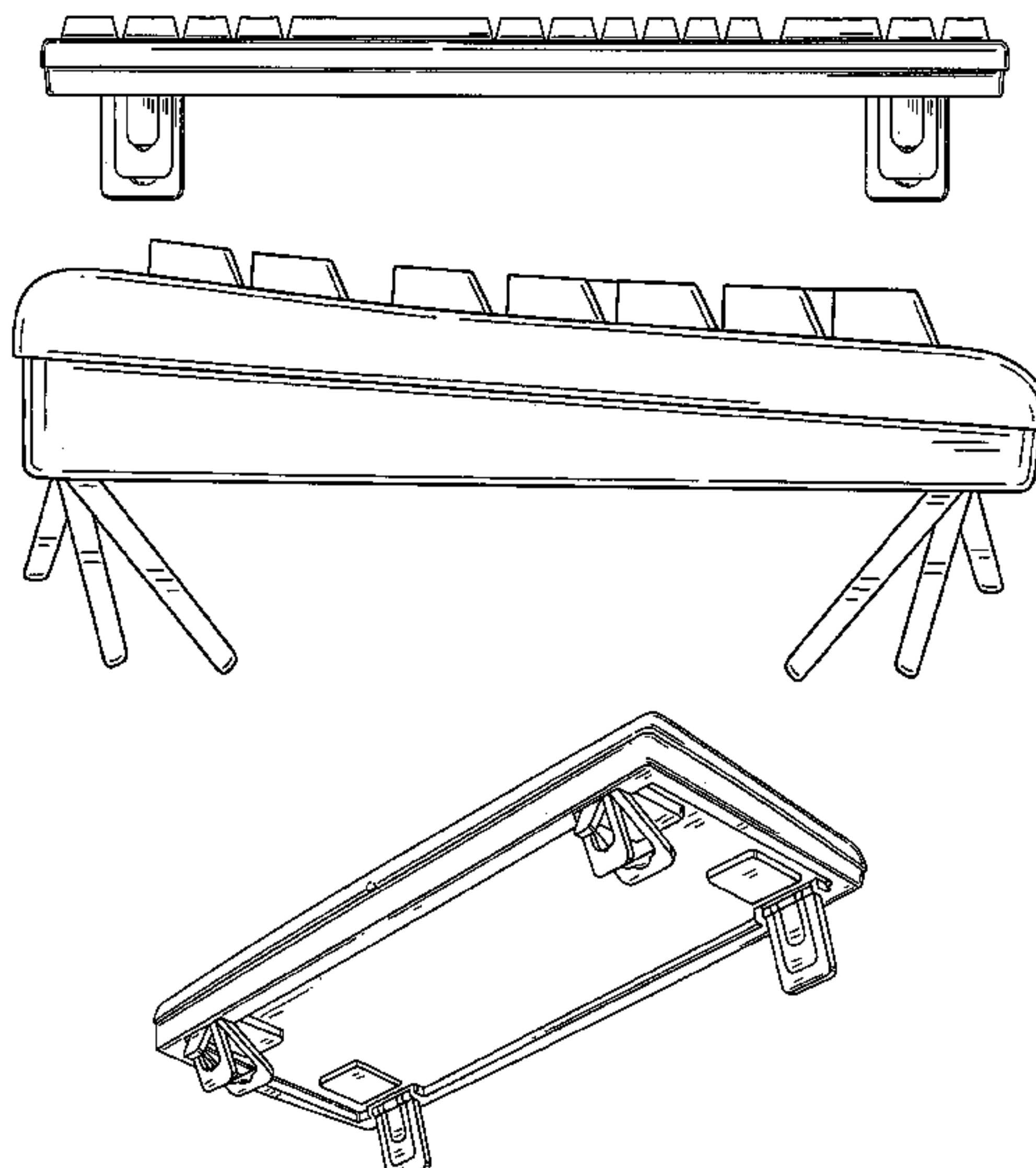
FIG. 4 is a side view of the computer keyboard of the present invention with its front and back legs extended, the front of the keyboard is on the left and the back of the keyboard is on the right, illustrating one of the multiple angles at which the keyboard may be set by the adjustable legs;

FIG. 5 is an opposite side view of the computer keyboard of the present invention with its front and back adjustable legs extended, illustrating the multi-leg stand design of each individual leg that enables multiple leg heights and keyboard angles; and,

FIG. 6 is a perspective view of the bottom of the computer keyboard of the present invention with its adjustable legs extended illustrating the multi-leg stand design of each individual leg that enables multiple leg heights and keyboard angles and their extended and retracted positions as well as the range of motion.

The present design is directed to a computer keyboard with oversized keys and multiple adjustable legs. The adjustable legs consist of multiple leg stands of varying length and width that may be extended or retracted to produce a plurality of keyboard angles.

1 Claim, 5 Drawing Sheets



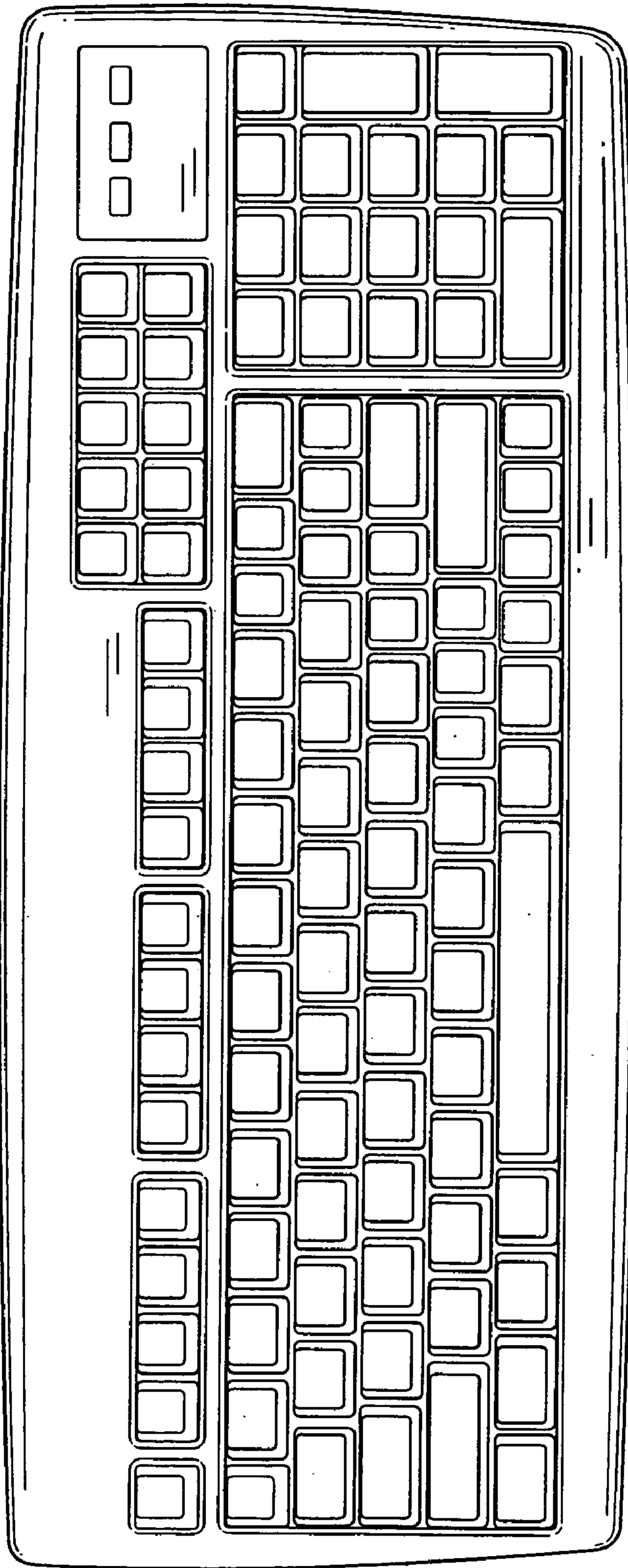


Fig. 1

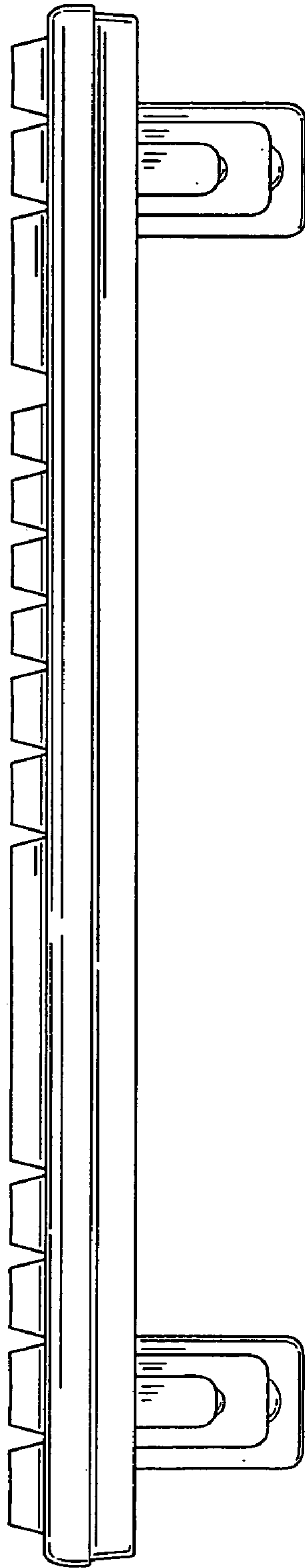


Fig. 2

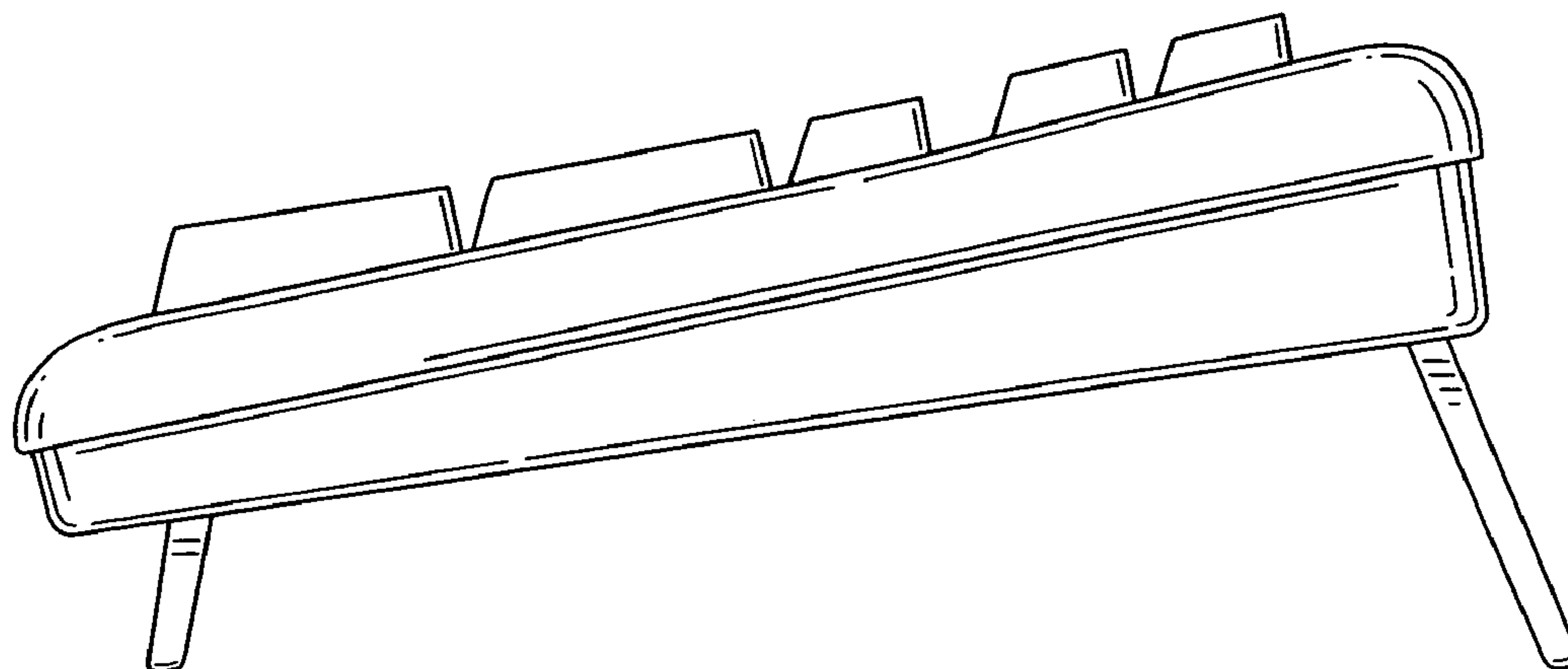


Fig. 3

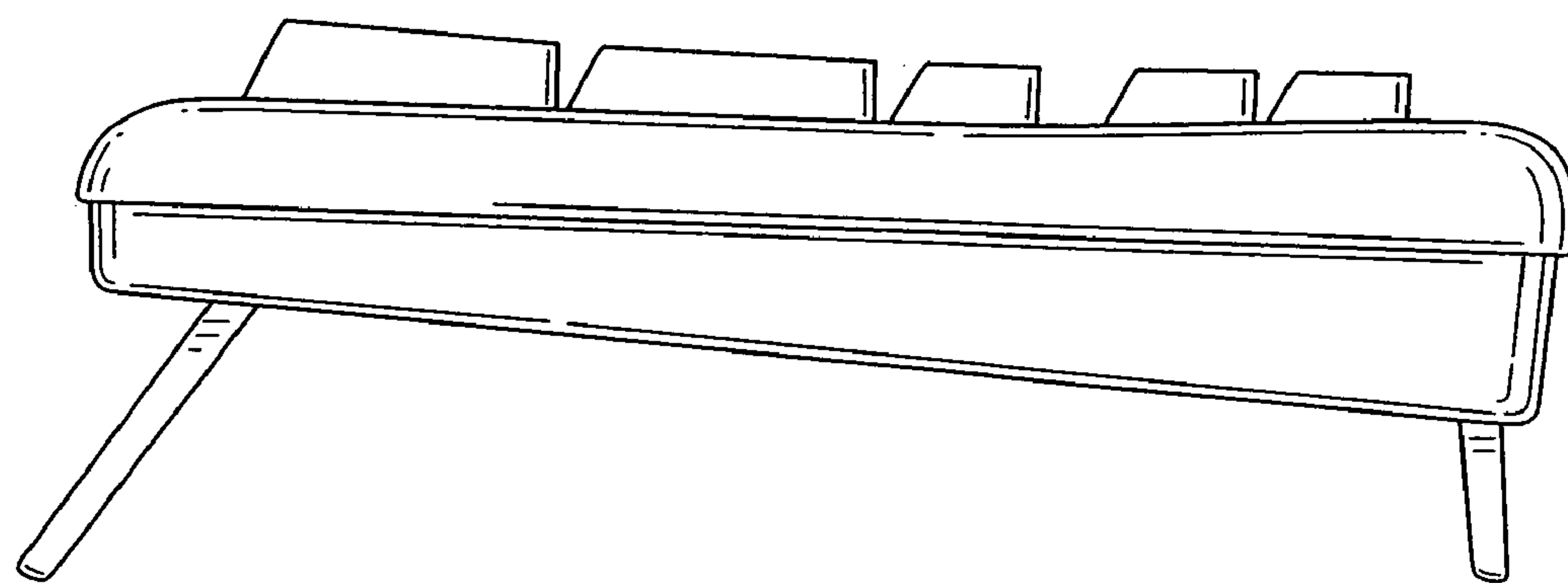


Fig. 4

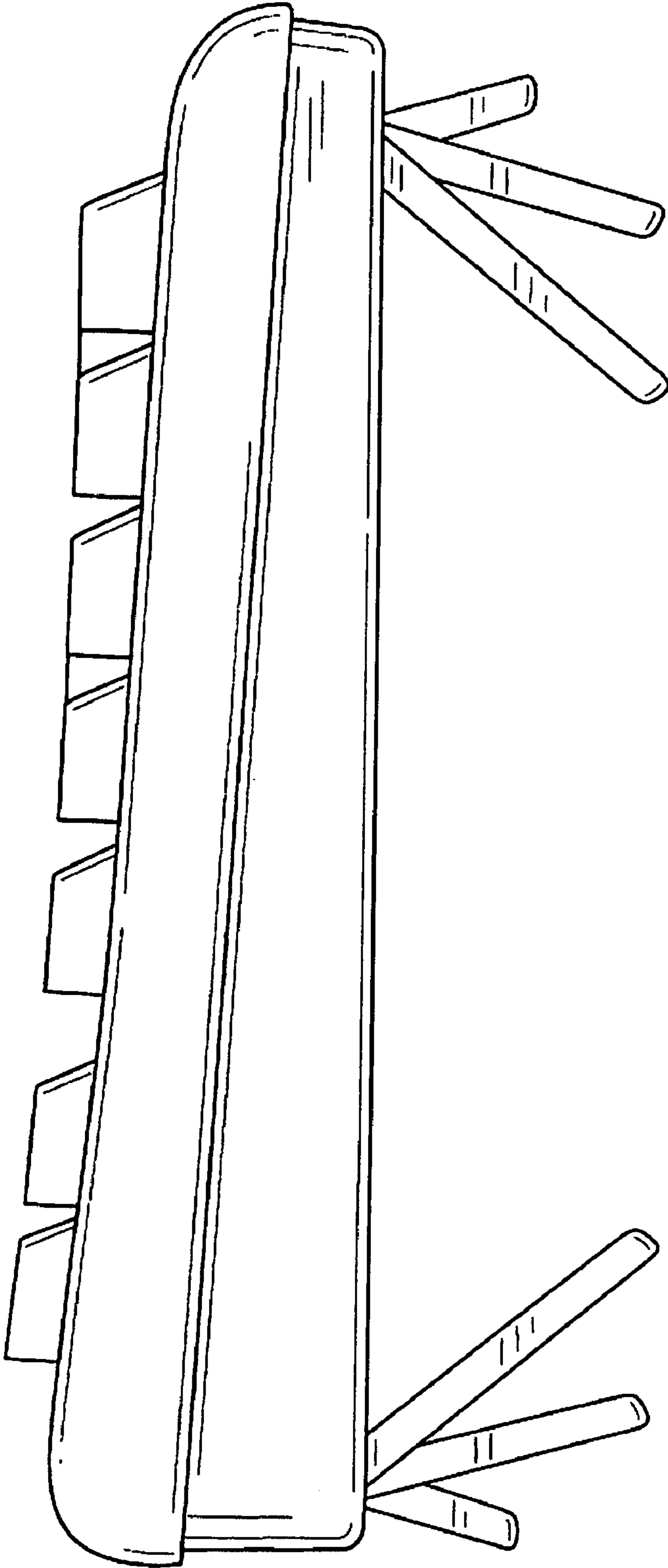


Fig. 5

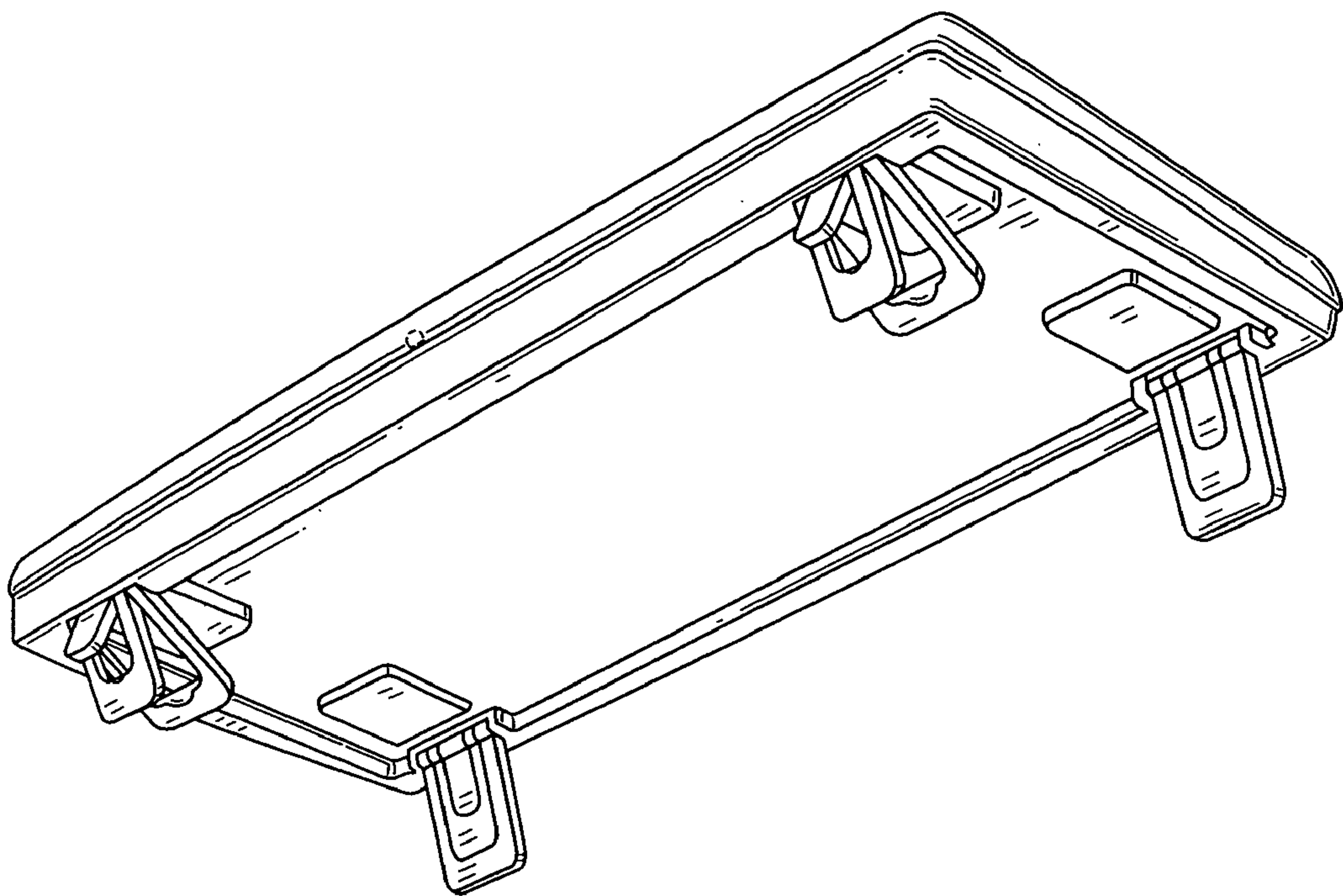


Fig. 6