



US00D555647S

(12) **United States Design Patent**
Quilling, II

(10) **Patent No.:** **US D555,647 S**

(45) **Date of Patent:** **** Nov. 20, 2007**

(54) **DOUBLE DIN AUTO STEREO MOUNTING DEVICE**

D501,852 S * 2/2005 Quilling, II D14/258
D519,995 S * 5/2006 Quilling, II D14/258
D540,785 S * 4/2007 Quilling, II D14/224

(75) Inventor: **R. Spencer Quilling, II**, DeLand, FL (US)

* cited by examiner

(73) Assignee: **Metra Electronics Corp.**, Holly Hills, FL (US)

Primary Examiner—Robert M. Spear

Assistant Examiner—Katrina A Kile

(74) *Attorney, Agent, or Firm*—John Wiley Horton

(**) Term: **14 Years**

(57) **CLAIM**

(21) Appl. No.: **29/286,105**

The ornamental design for a “double DIN auto stereo mounting device”, as shown and described.

(22) Filed: **Apr. 24, 2007**

DESCRIPTION

(51) **LOC (8) Cl.** **14-01**

(52) **U.S. Cl.** **D14/258; D14/224**

(58) **Field of Classification Search** D14/258,
D14/257, 224, 217, 198, 197, 193, 192, 188,
D14/168, 167, 165, 164, 163, 162, 161, 160,
D14/157, 156, 154, 136, 135; 720/691, 658,
720/270; 455/344, 575.1; 396/434, 93;
386/1; 369/93, 75.1; 360/47, 4; 359/550,
359/258; 349/460, 159, 10

FIG. 1 is a perspective view of a double DIN auto stereo mounting device, showing my design;

FIG. 2 is a front elevation view of FIG. 1;

FIG. 3 is a rear elevation view of FIG. 1;

FIG. 4 is a right side elevation view of FIG. 1;

FIG. 5 is a left side elevation view of FIG. 1;

FIG. 6 is a top plan view of FIG. 1; and,

FIG. 7 is a bottom plan view of FIG. 1.

See application file for complete search history.

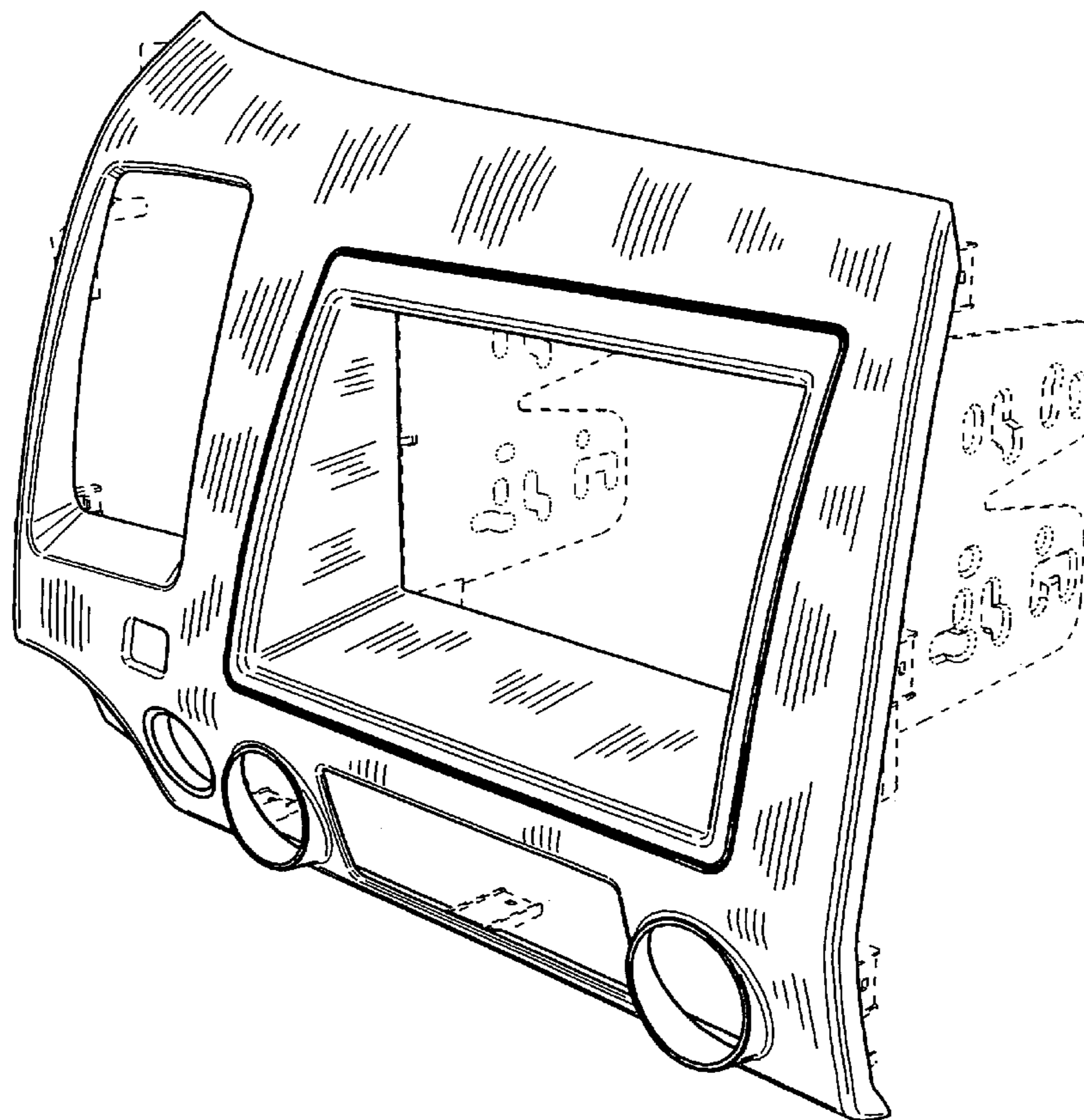
The broken lines shown in all views illustrate mounting features which form no part of the claimed design.

(56) **References Cited**

U.S. PATENT DOCUMENTS

D481,707 S * 11/2003 Quilling et al. D14/224

1 Claim, 7 Drawing Sheets



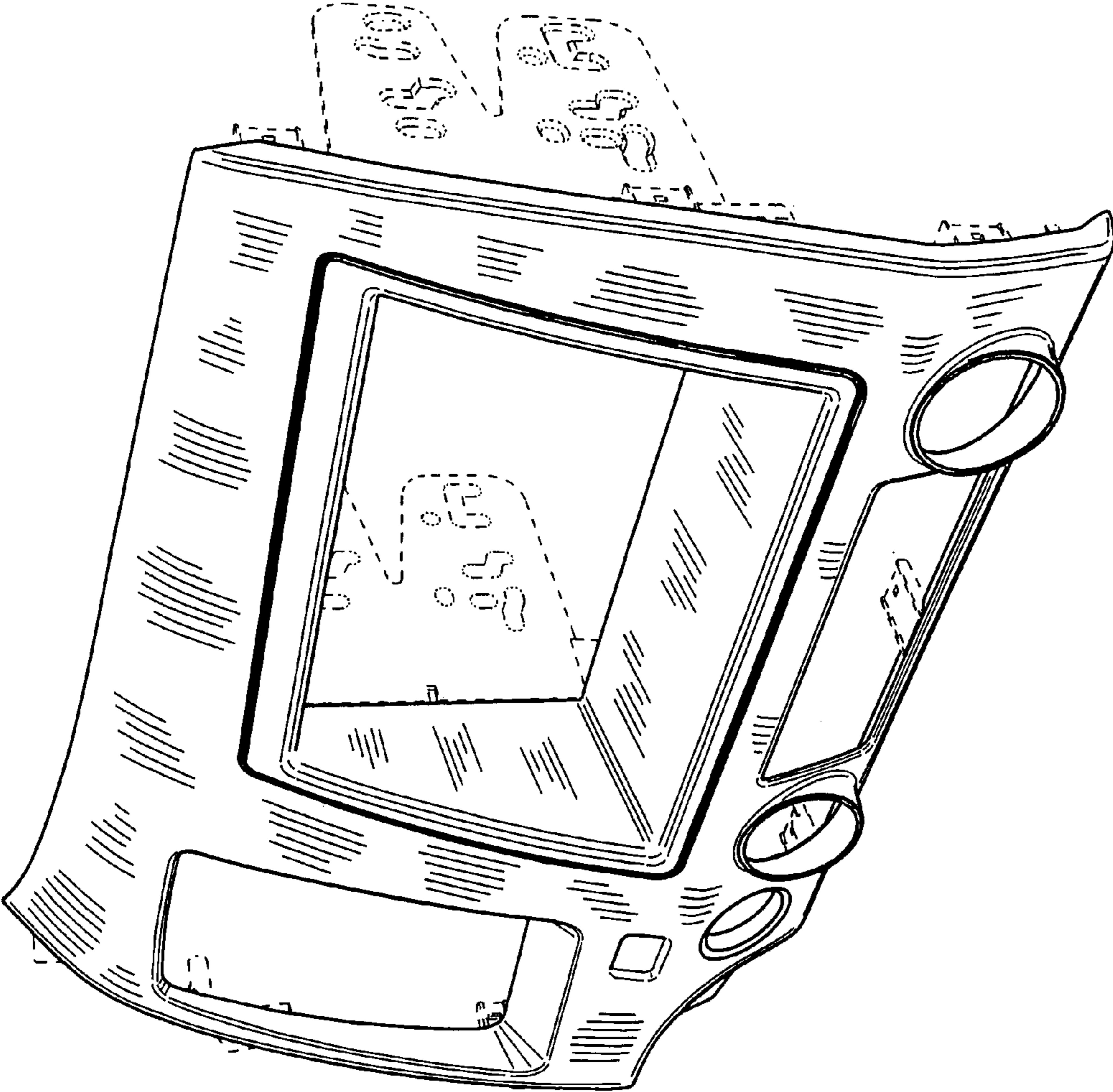


FIG. 1

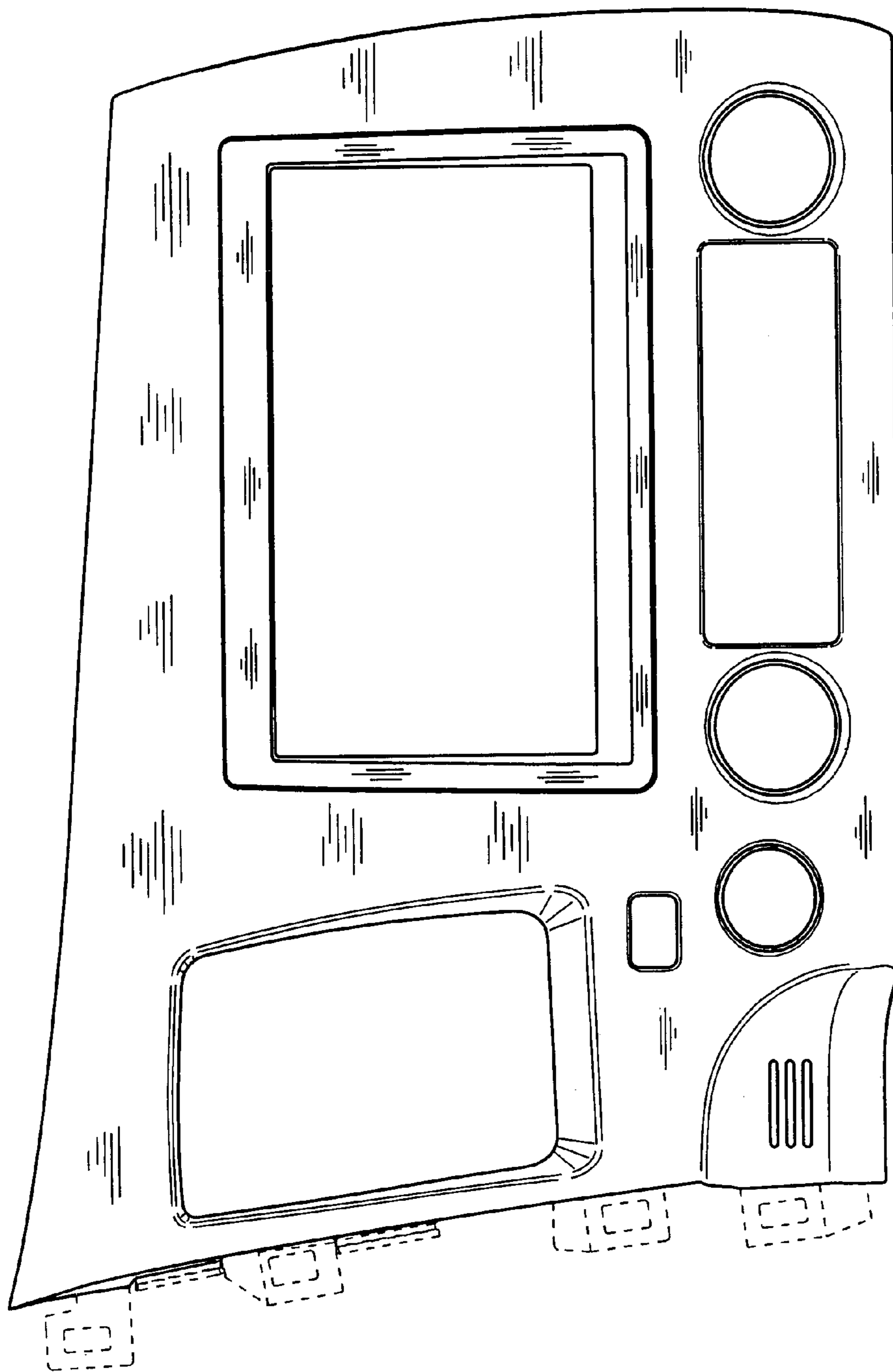


FIG. 2

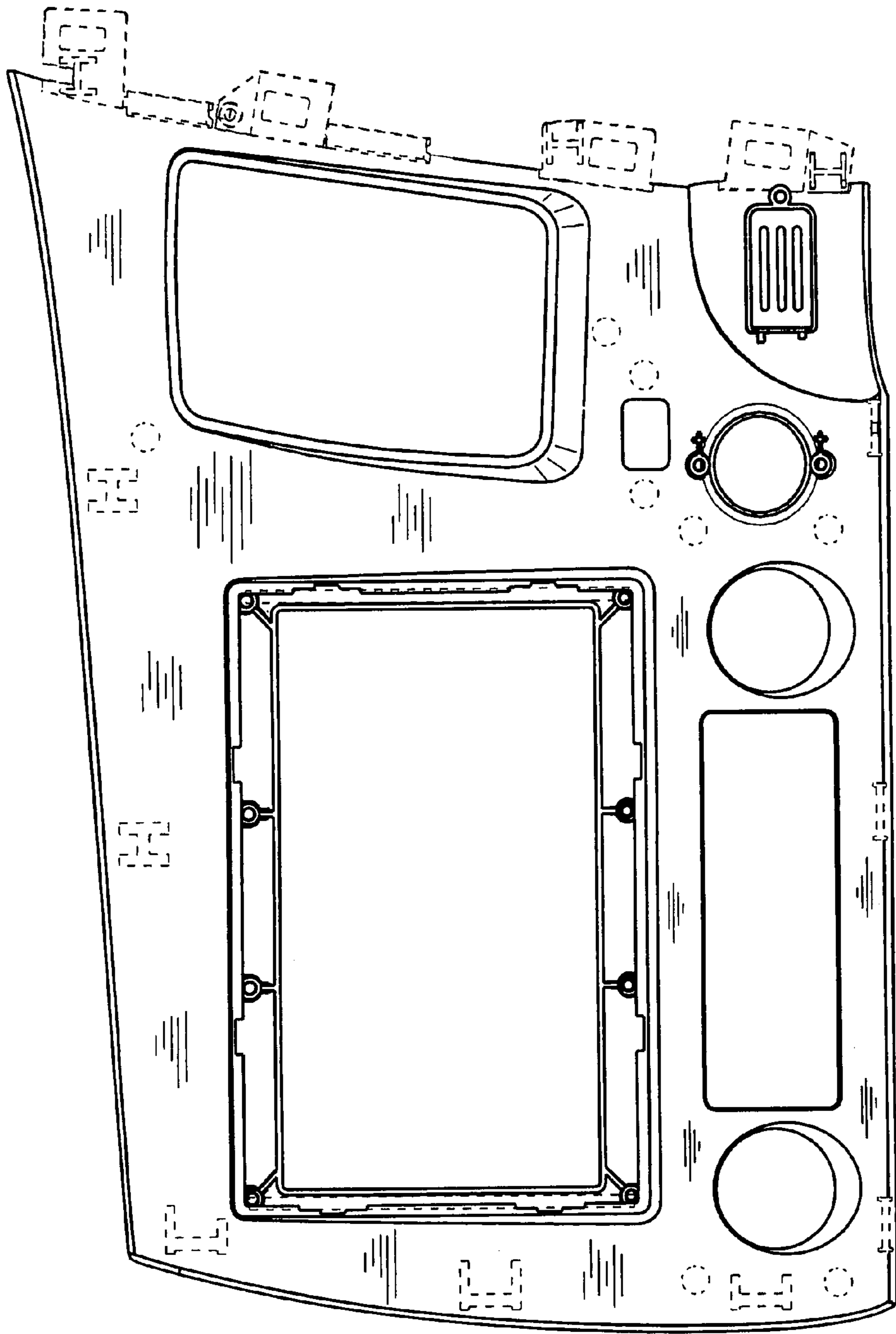


FIG. 3

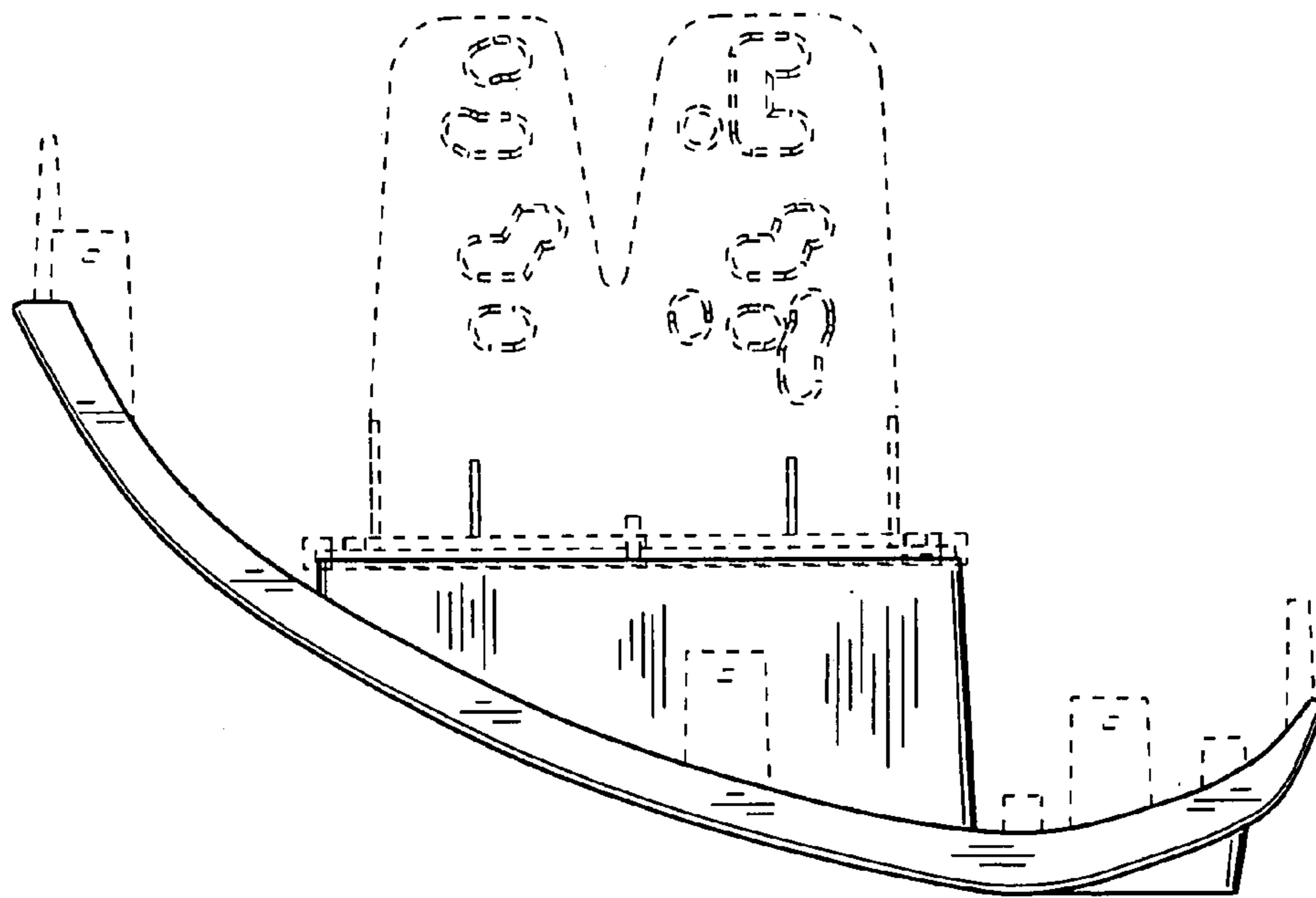


FIG. 4

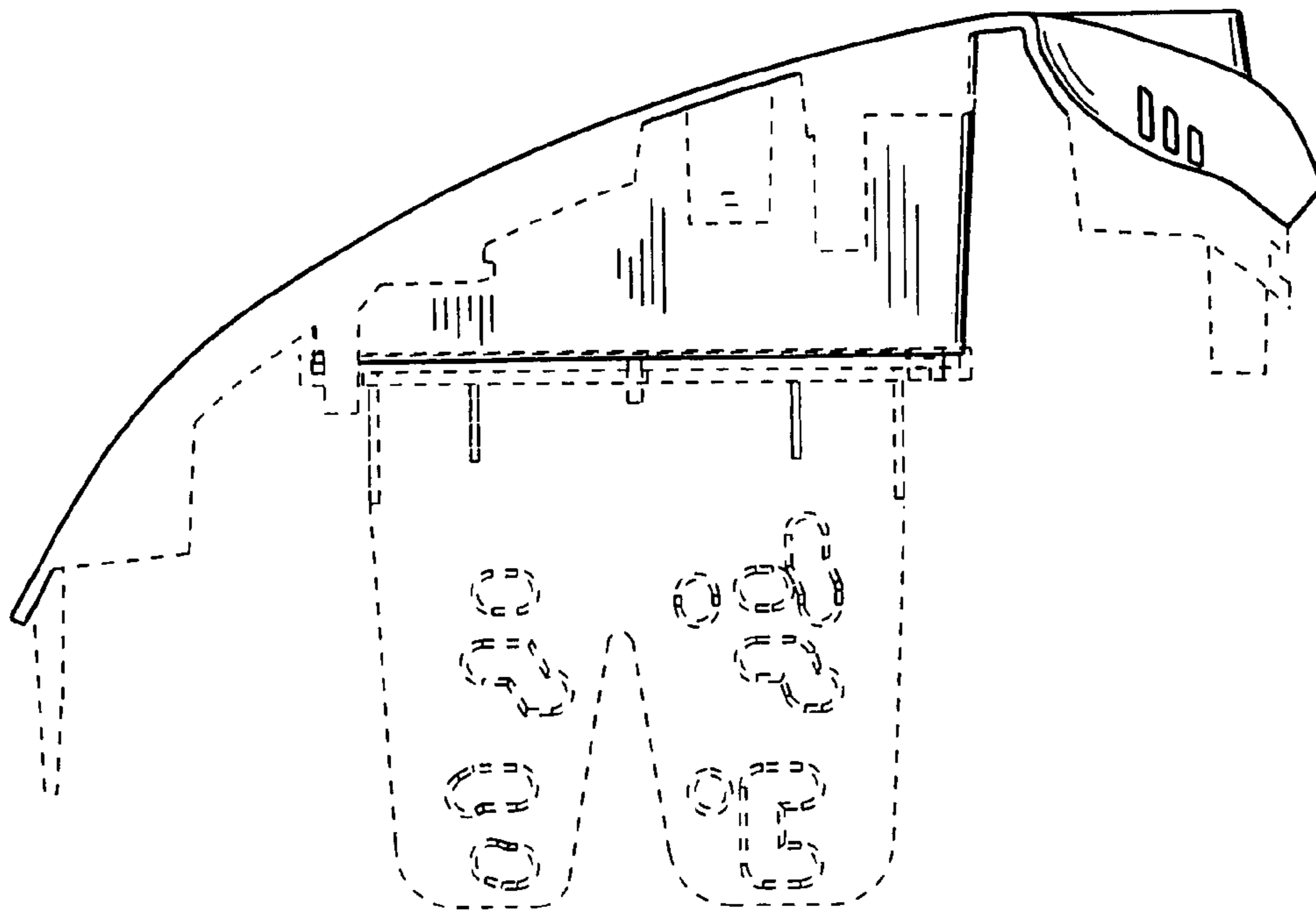


FIG. 5

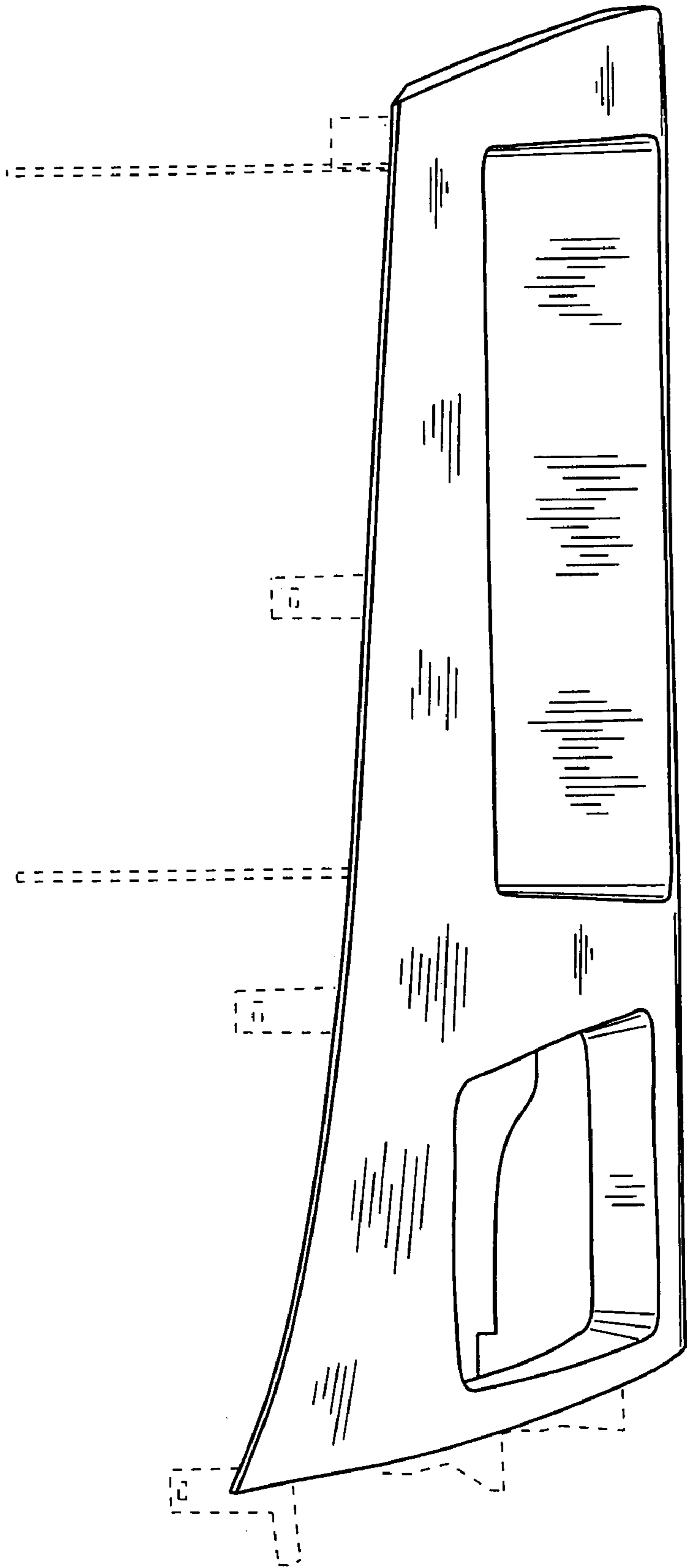


FIG. 6

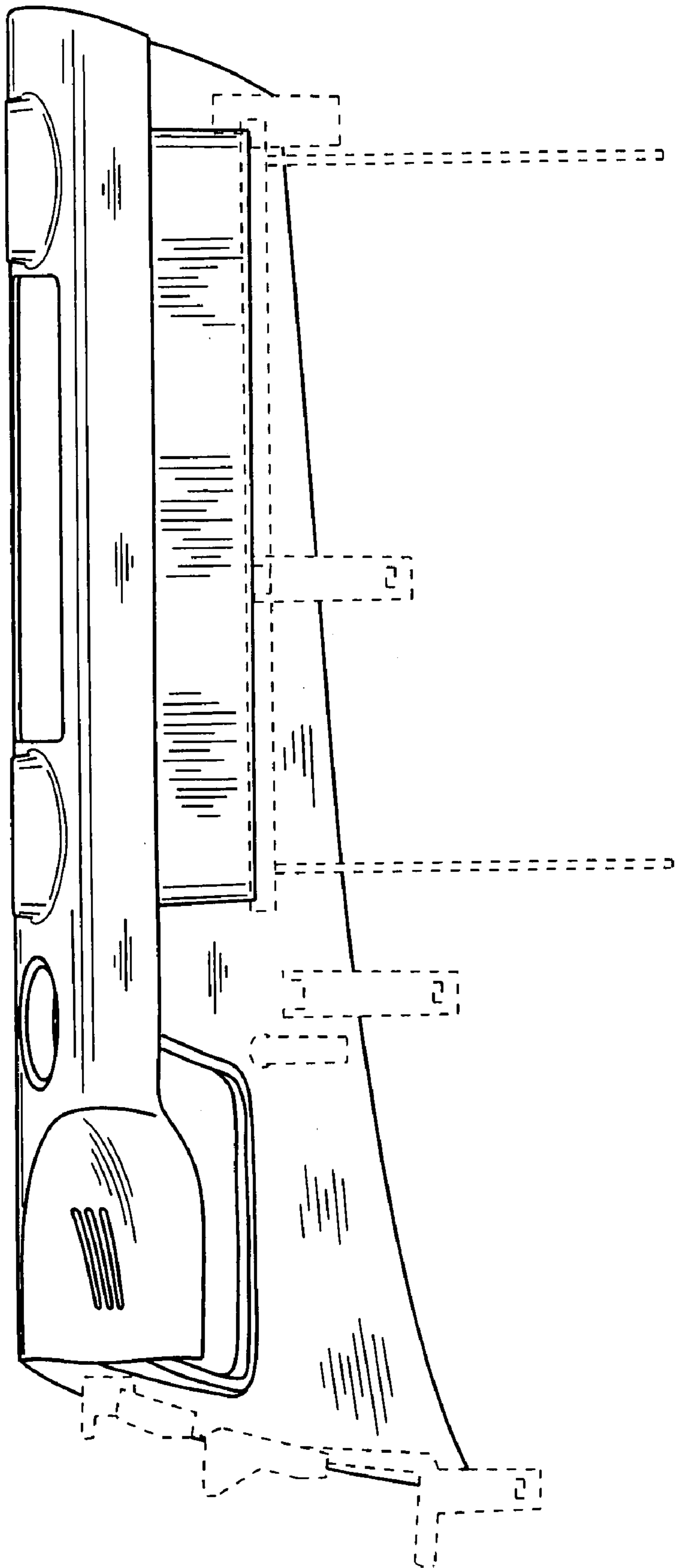


FIG. 7