



US00D555640S

(12) **United States Design Patent**
Amiya

(10) **Patent No.:** **US D555,640 S**

(45) **Date of Patent:** **** Nov. 20, 2007**

(54) **AUDIO MIXER**

(75) Inventor: **Ezio Amiya**, Hamamatsu (JP)

(73) Assignee: **Yamaha Corporation**, Shizuoka (JP)

(**) Term: **14 Years**

(21) Appl. No.: **29/269,925**

(22) Filed: **Dec. 12, 2006**

(30) **Foreign Application Priority Data**

Sep. 6, 2006 (JP) 2006-023746

(51) **LOC (8) Cl.** **14-01**

(52) **U.S. Cl.** **D14/217**

(58) **Field of Classification Search** D14/156,
D14/162, 167, 168, 188, 196-198, 217, 257,
D14/258; D13/163, 164; 84/625, 660, 697;
381/118-120, 334; 455/350, 347
See application file for complete search history.

(56) **References Cited**

U.S. PATENT DOCUMENTS

D323,647 S * 2/1992 Schott et al. D13/162
D344,726 S * 3/1994 Amiya D14/160
D357,255 S * 4/1995 Ito et al. D14/217

D409,618 S * 5/1999 Yamakawa et al. D14/217
D426,231 S * 6/2000 Mackie D14/217
D453,327 S * 2/2002 Takita et al. D14/217
D471,173 S * 3/2003 Takita et al. D14/162
D490,800 S * 6/2004 Kitazawa D14/217
D499,394 S * 12/2004 Suzuki D14/217

* cited by examiner

Primary Examiner—Stella Reid

Assistant Examiner—Keli L. Acker

(74) *Attorney, Agent, or Firm*—Sughrue Mion Pllc.

(57) **CLAIM**

The ornamental design for an audio mixer, as shown.

DESCRIPTION

FIG. 1 is a perspective view of the top, front and left side of an audio mixer showing my new design;

FIG. 2 is a top plan view thereof;

FIG. 3 is a front elevational view thereof;

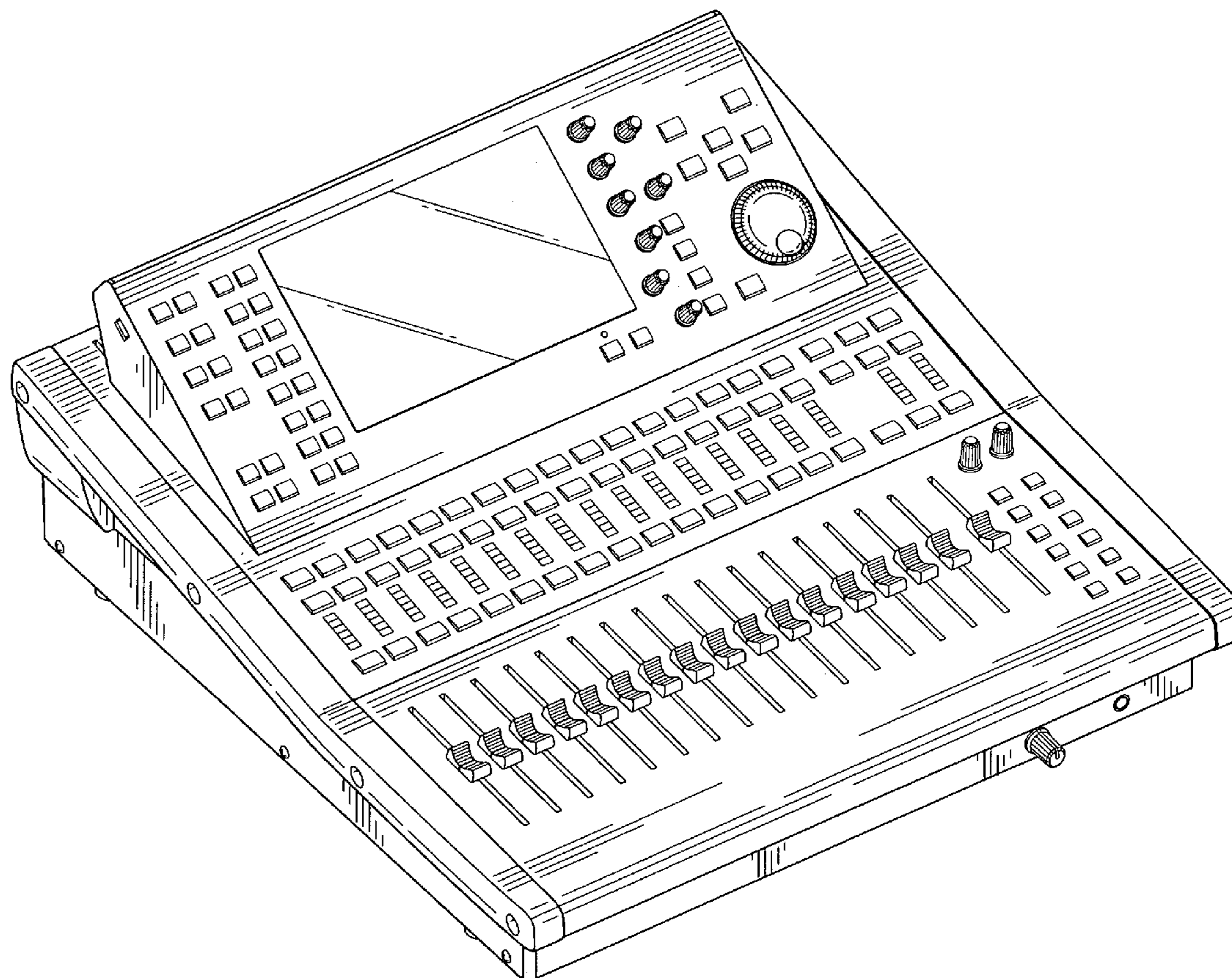
FIG. 4 is a right side elevational view thereof;

FIG. 5 is a left side elevational view thereof;

FIG. 6 is a bottom plan view thereof; and,

FIG. 7 is a rear elevational view thereof.

1 Claim, 7 Drawing Sheets



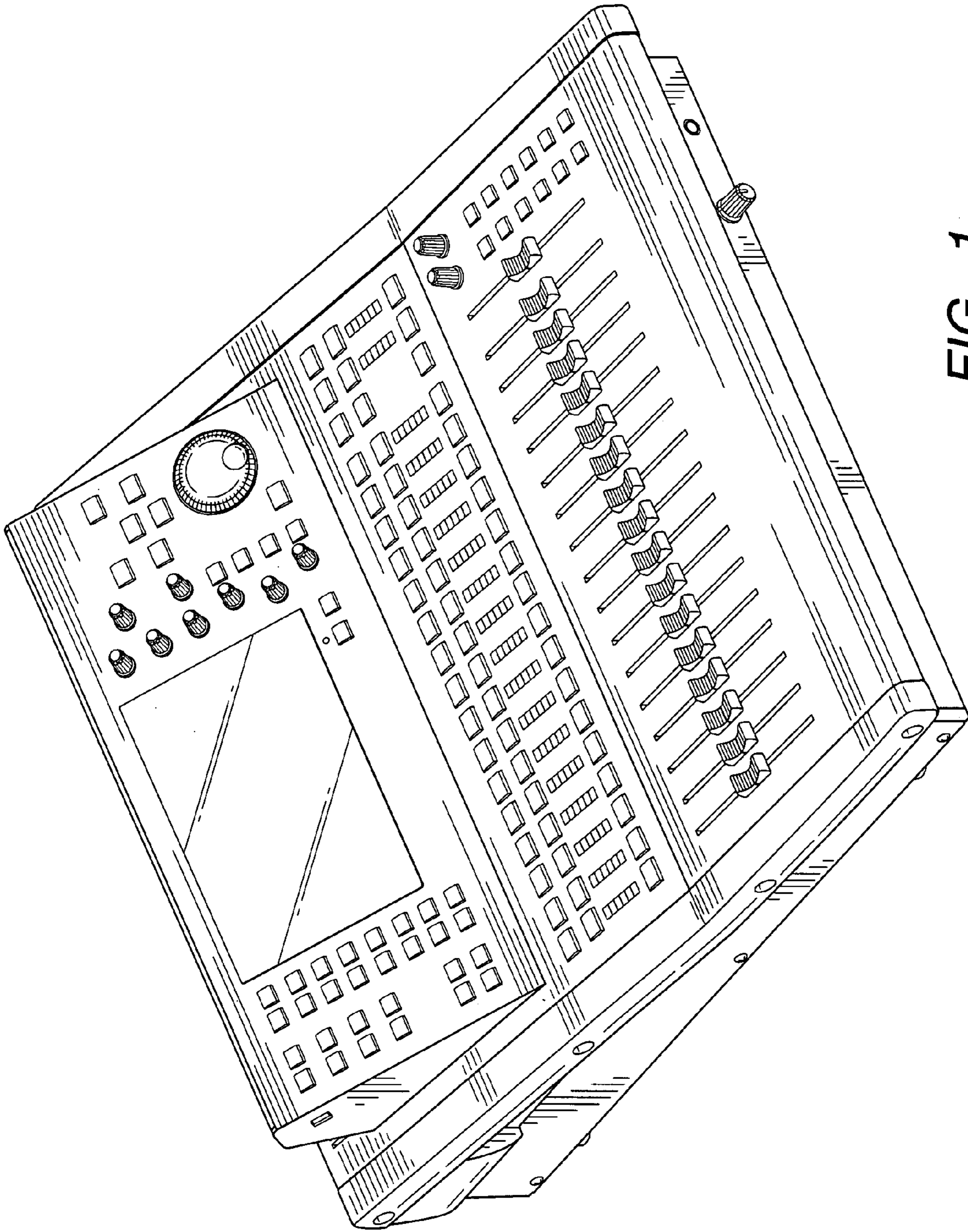


FIG. 1

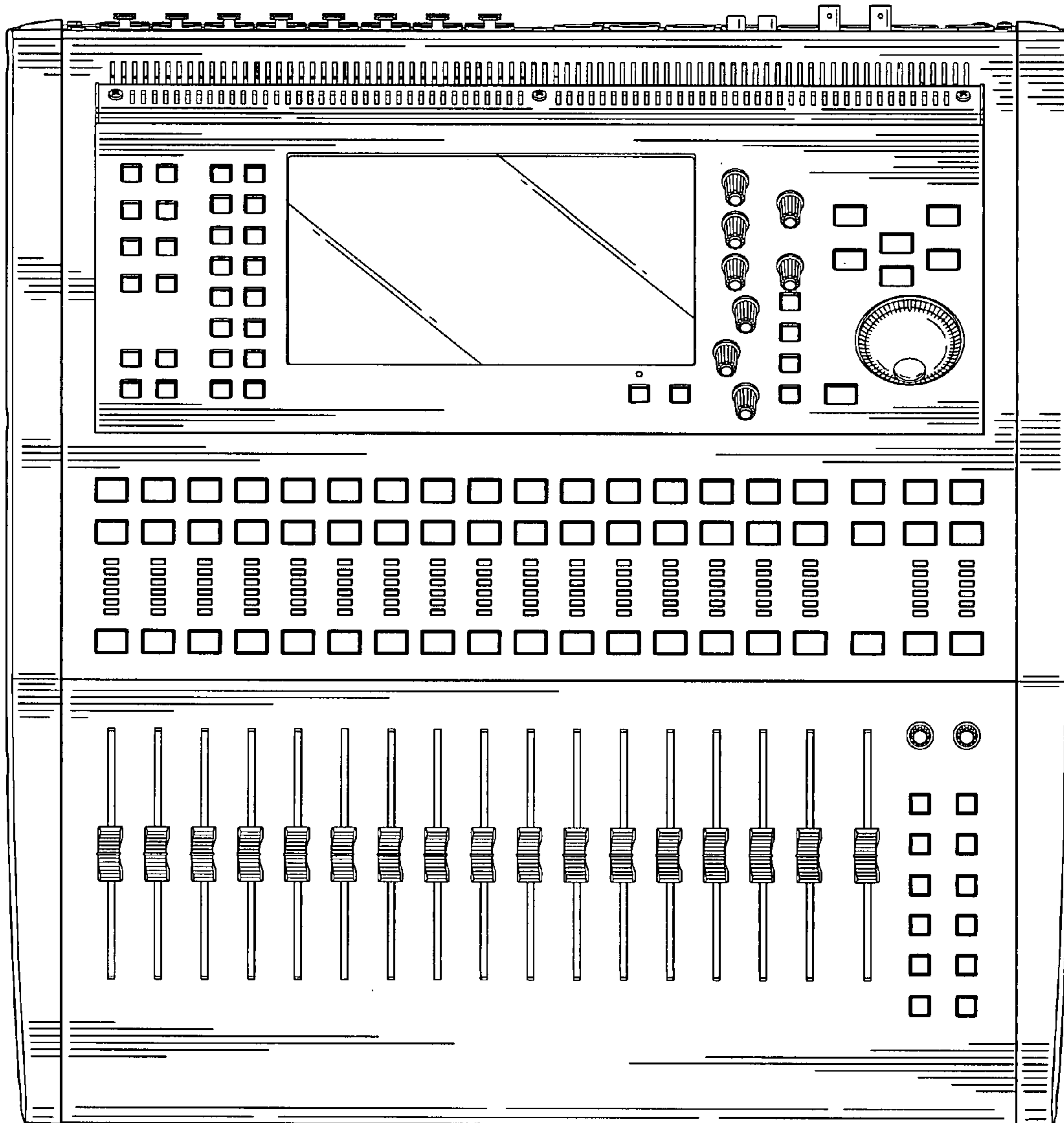


FIG. 2

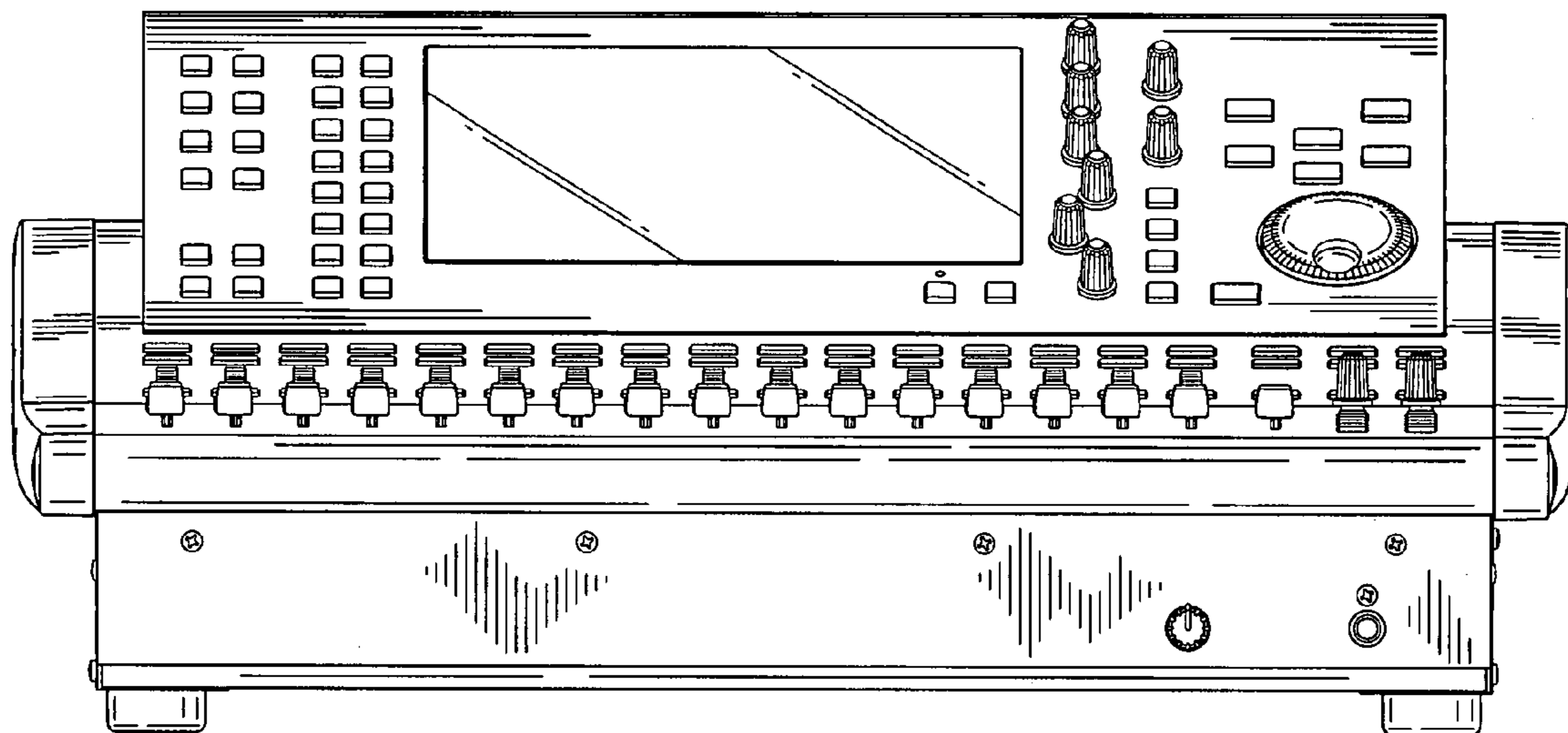


FIG. 3

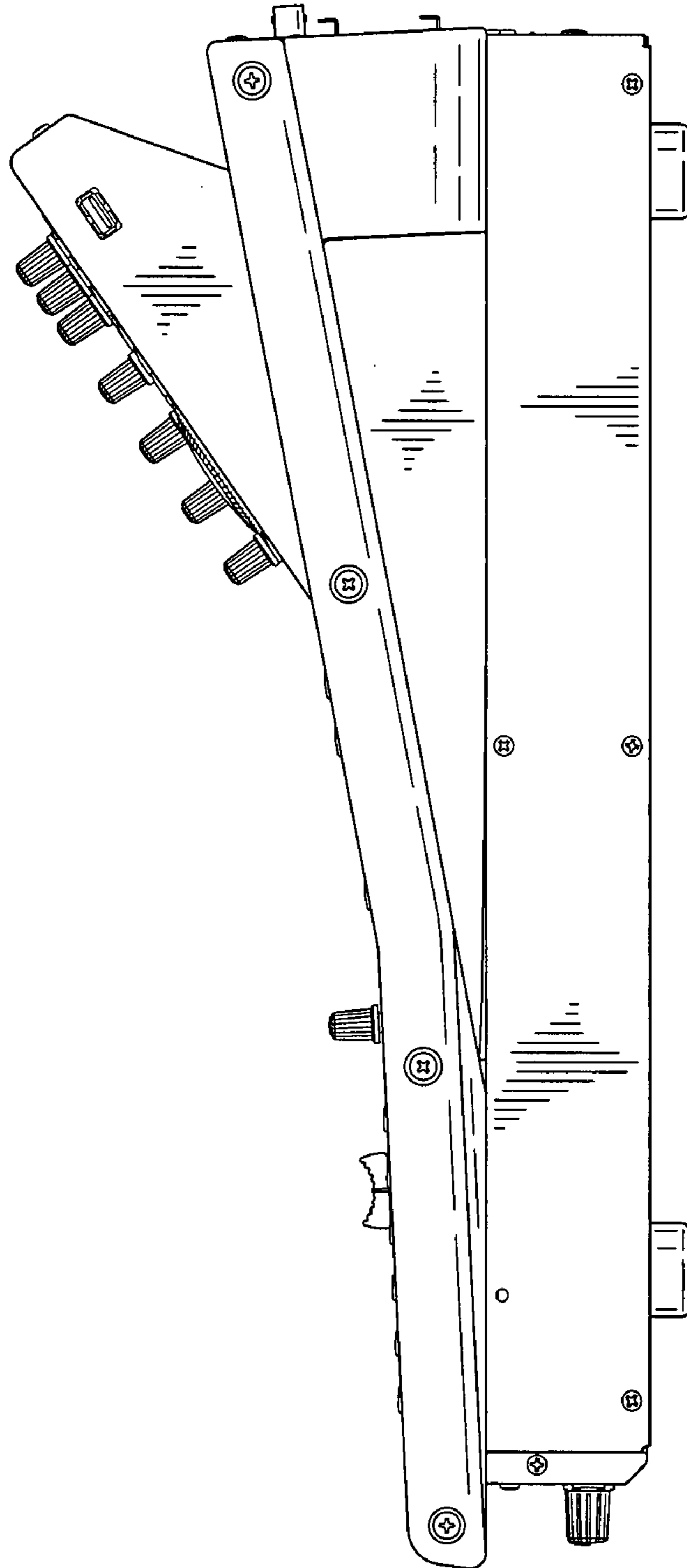


FIG. 4

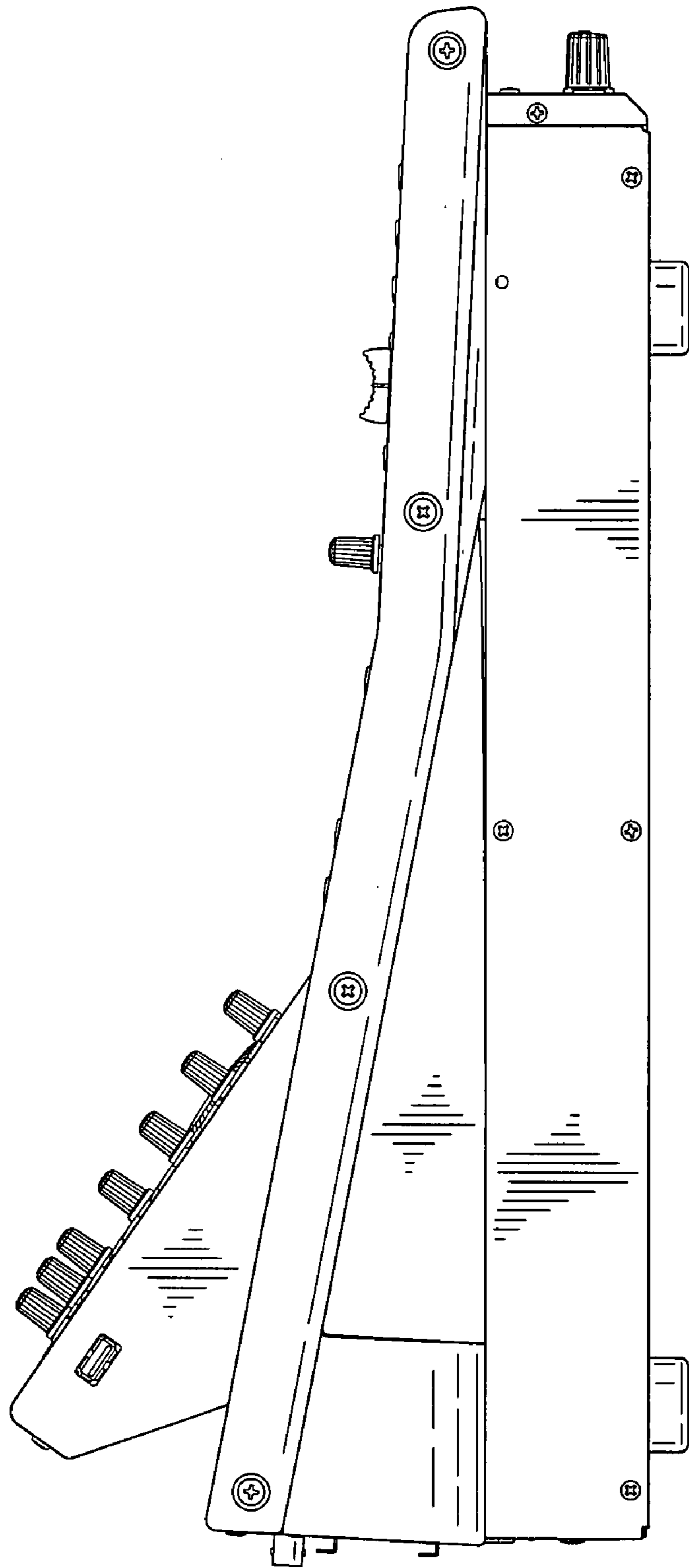


FIG. 5

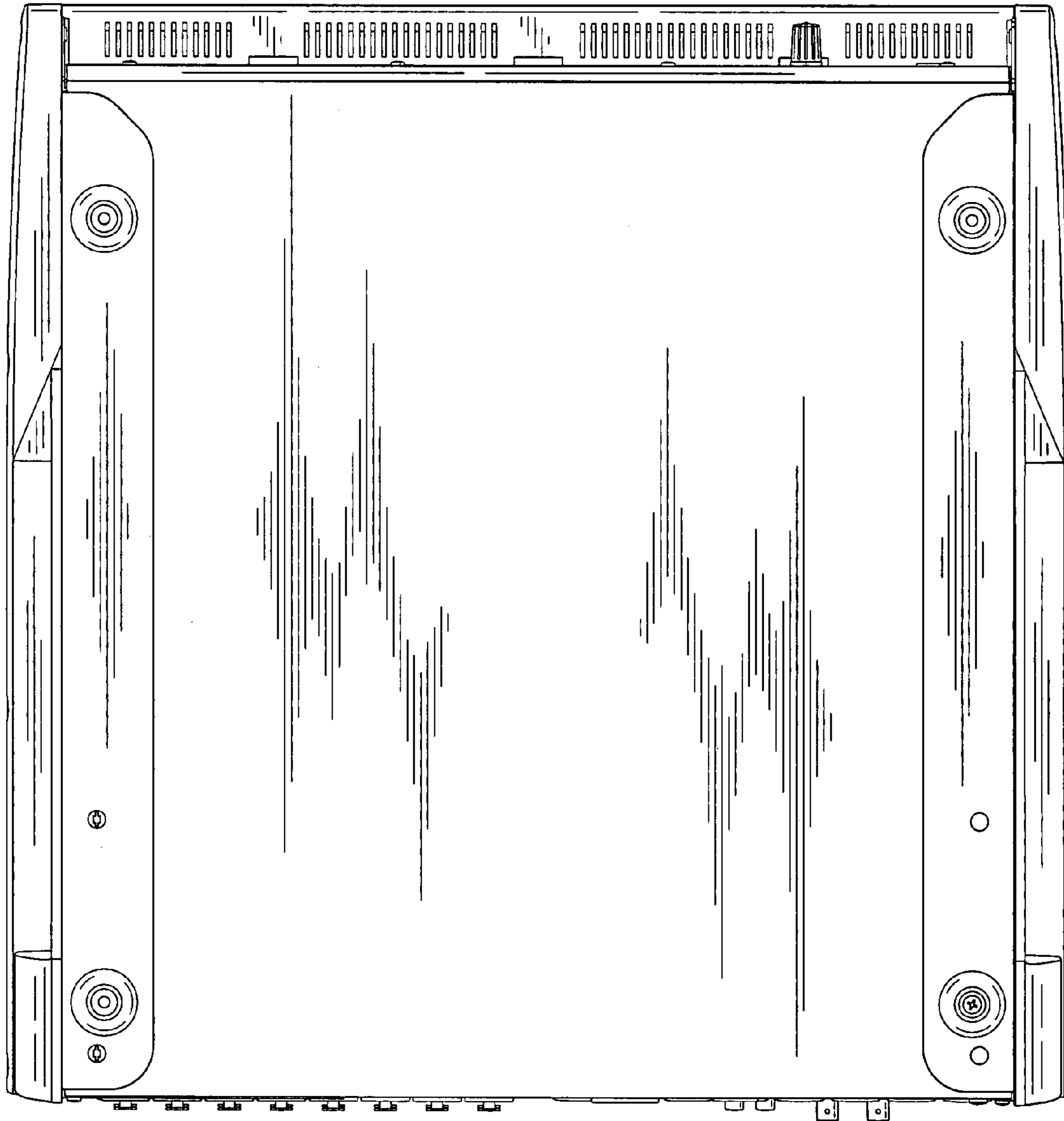


FIG. 6

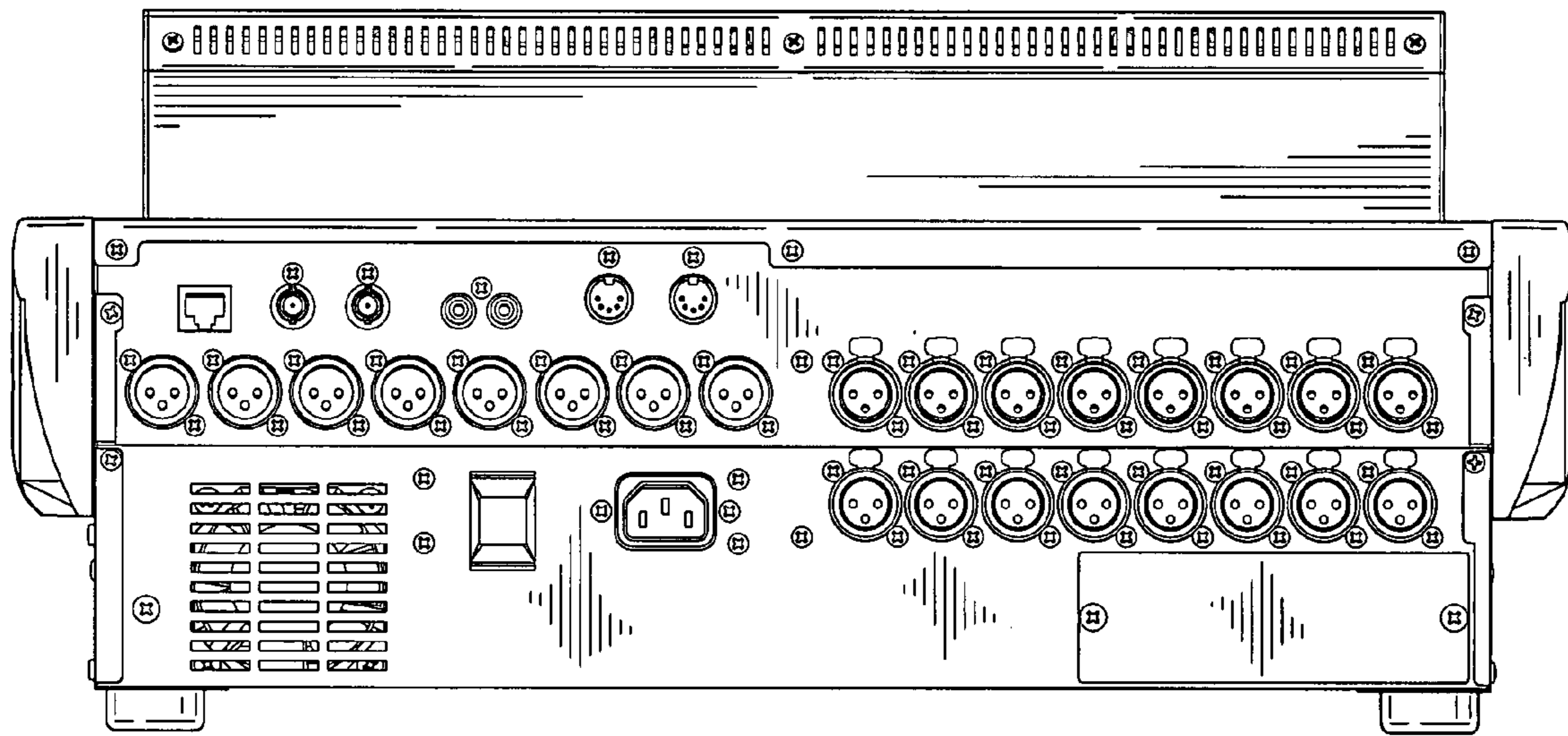


FIG. 7

UNITED STATES PATENT AND TRADEMARK OFFICE
CERTIFICATE OF CORRECTION

PATENT NO. : Des. 555,640 S
APPLICATION NO. : 29/269925
DATED : November 20, 2007
INVENTOR(S) : Eizo Amiya

Page 1 of 1

It is certified that error appears in the above-identified patent and that said Letters Patent is hereby corrected as shown below:

On Title Page Item [75]

Please correct the spelling of the Inventor's name as follows:

~~Ezio~~Eizo AMIYA

Signed and Sealed this

Twenty Second Day of April, 2008

A handwritten signature in black ink that reads "Jon W. Dudas". The signature is written in a cursive style with a large, looped initial "J".

JON W. DUDAS

Director of the United States Patent and Trademark Office