



US00D555639S

(12) **United States Design Patent**  
**Amiya**

(10) **Patent No.:** **US D555,639 S**

(45) **Date of Patent:** **\*\* Nov. 20, 2007**

(54) **AUDIO MIXER**

(75) Inventor: **Eizo Amiya**, Hamamatsu (JP)

(73) Assignee: **Yamaha Corporation**, Shizuoka (JP)

(\*\*) Term: **14 Years**

(21) Appl. No.: **29/269,918**

(22) Filed: **Dec. 12, 2006**

(30) **Foreign Application Priority Data**

Sep. 6, 2006 (JP) ..... 2006-023747

(51) **LOC (8) Cl.** ..... **14-01**

(52) **U.S. Cl.** ..... **D14/217**

(58) **Field of Classification Search** ..... D14/156,  
D14/162, 167, 168, 188, 196-198, 217, 257,  
D14/258; D13/163, 164; 84/625, 660, 697;  
381/118-120, 334; 455/350, 347

See application file for complete search history.

(56) **References Cited**

U.S. PATENT DOCUMENTS

D325,204 S *	4/1992	Ito et al. ....	D14/162
D325,383 S *	4/1992	Ito et al. ....	D14/217
D332,788 S *	1/1993	Ito et al. ....	D14/217
D344,726 S *	3/1994	Amiya .....	D14/160
D357,255 S *	4/1995	Ito et al. ....	D14/217
D380,760 S *	7/1997	Mackie et al. ....	D14/217
D401,242 S *	11/1998	Mackie et al. ....	D14/217
D409,618 S *	5/1999	Yamakawa et al. ....	D14/217

D420,332 S *	2/2000	Lee et al. ....	D13/163
D426,231 S *	6/2000	Mackie .....	D14/217
D442,944 S *	5/2001	Page et al. ....	D14/217
D453,327 S *	2/2002	Takita et al. ....	D14/217
D470,834 S *	2/2003	Saito .....	D14/217
D489,709 S *	5/2004	Amiya .....	D14/217
D499,394 S *	12/2004	Suzuki .....	D14/217

OTHER PUBLICATIONS

U.S. Appl. No. 29/269,925, filed Dec. 12, 2006, Ezio Amiya.

\* cited by examiner

*Primary Examiner*—Stella Reid

*Assistant Examiner*—Keli' L. Acker

(74) *Attorney, Agent, or Firm*—Sughrue Mion Pllc.

(57) **CLAIM**

The ornamental design for an audio mixer, as shown.

**DESCRIPTION**

FIG. 1 is a perspective view of the top, front and left side of an audio mixer showing my new design;

FIG. 2 is a top plan view thereof;

FIG. 3 is a front elevational view thereof;

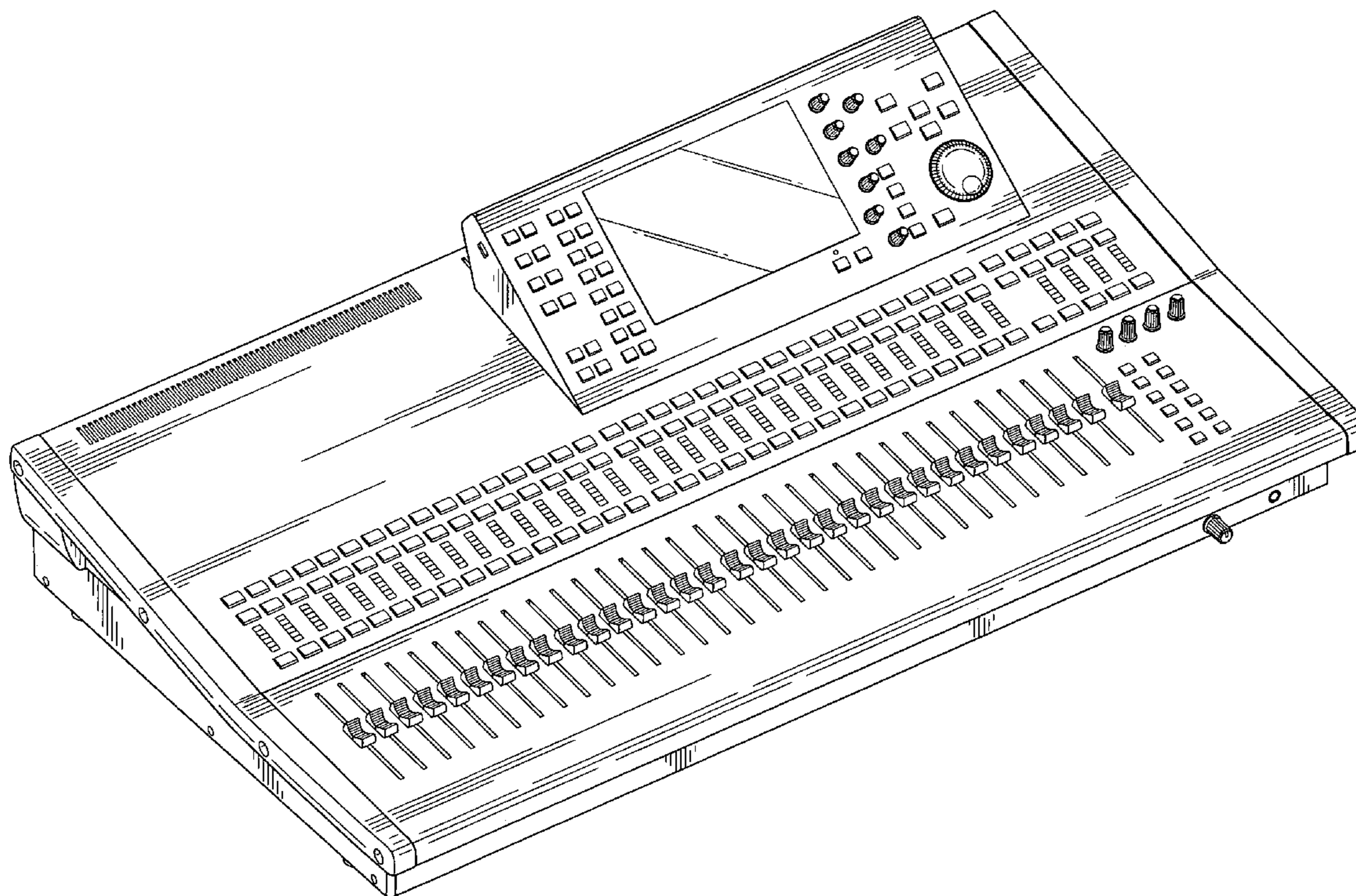
FIG. 4 is a right side elevational view thereof;

FIG. 5 is a left side elevational view thereof;

FIG. 6 is a bottom plan view thereof; and,

FIG. 7 is a rear elevational view thereof.

**1 Claim, 6 Drawing Sheets**



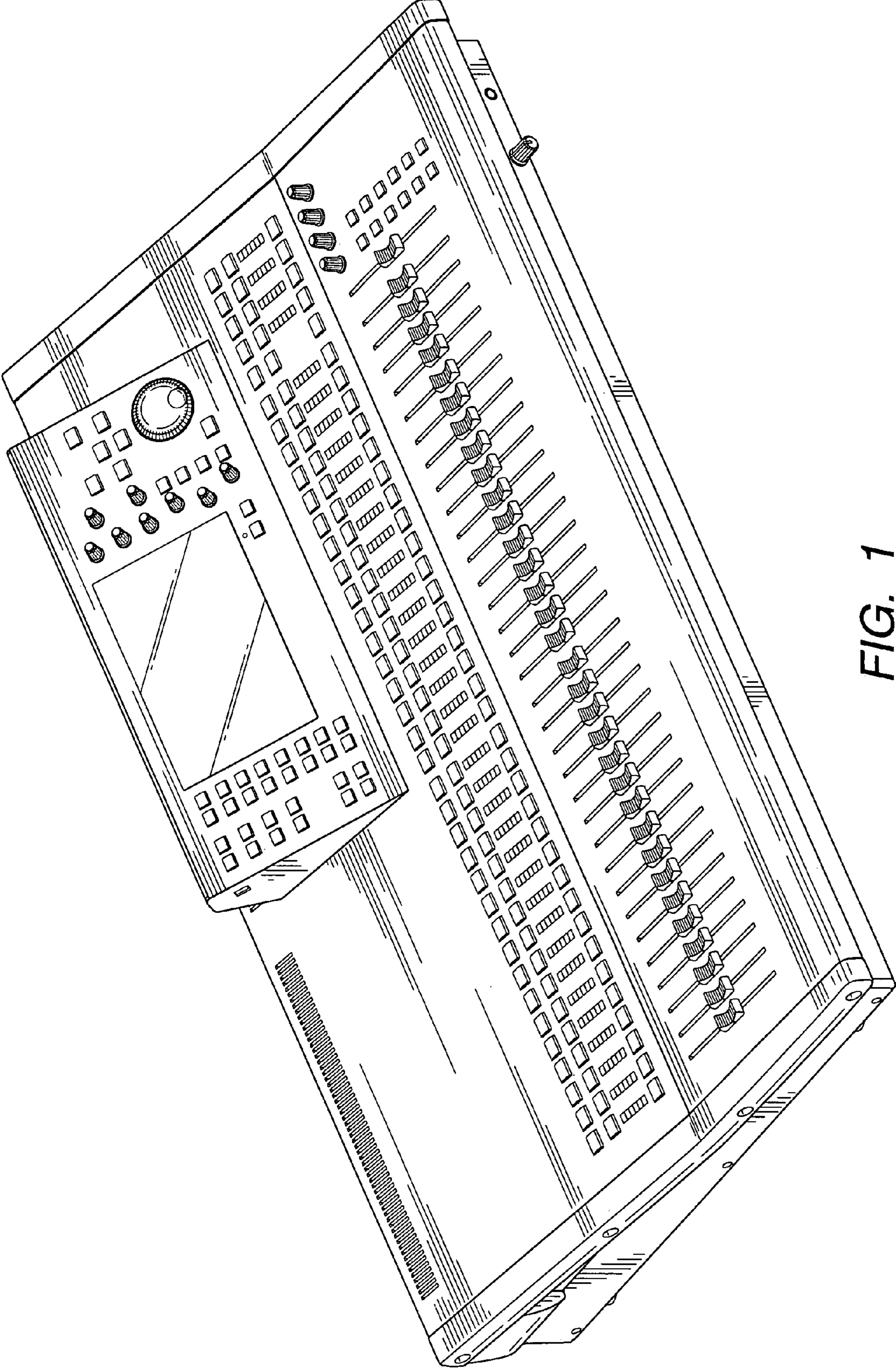


FIG. 1

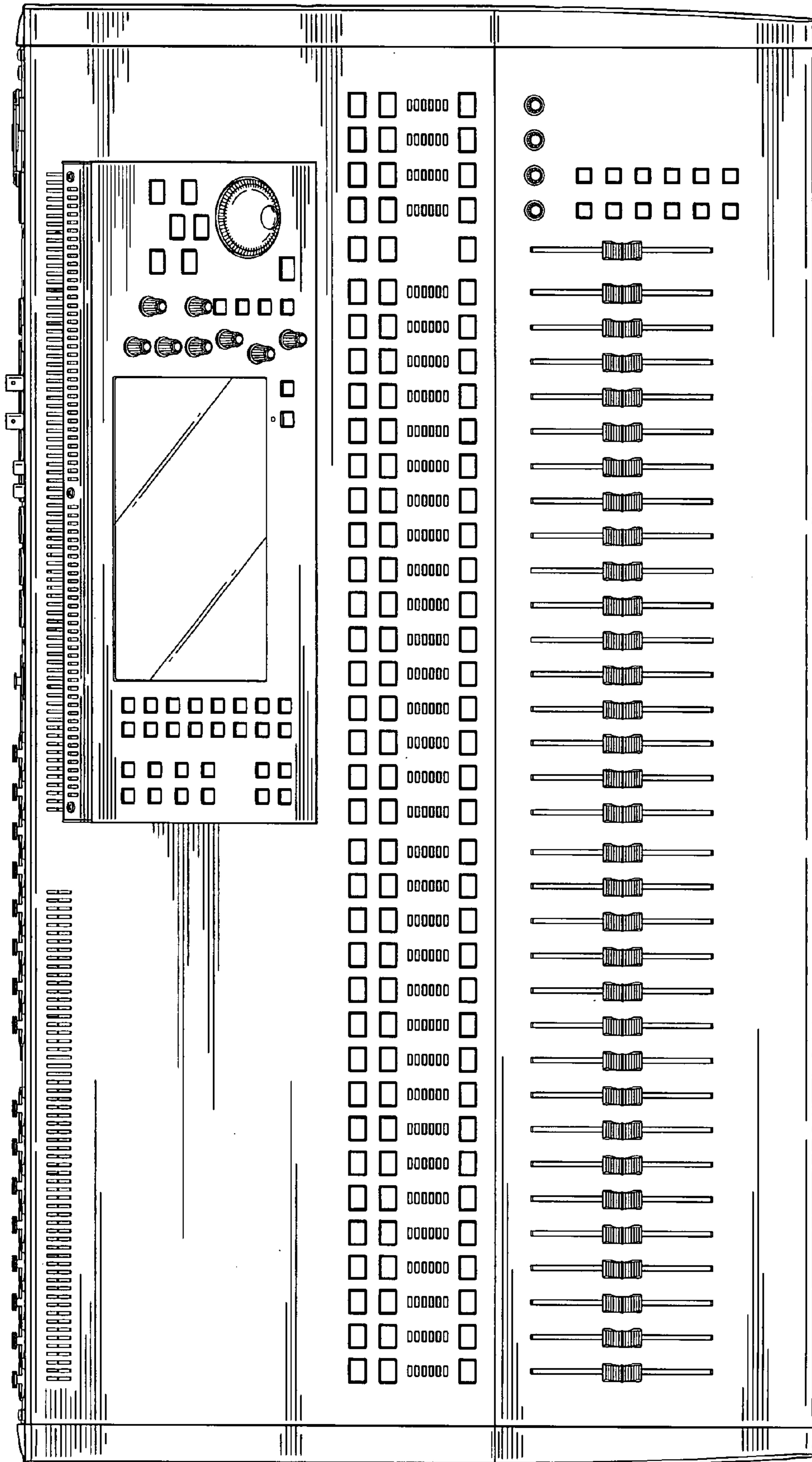


FIG. 2

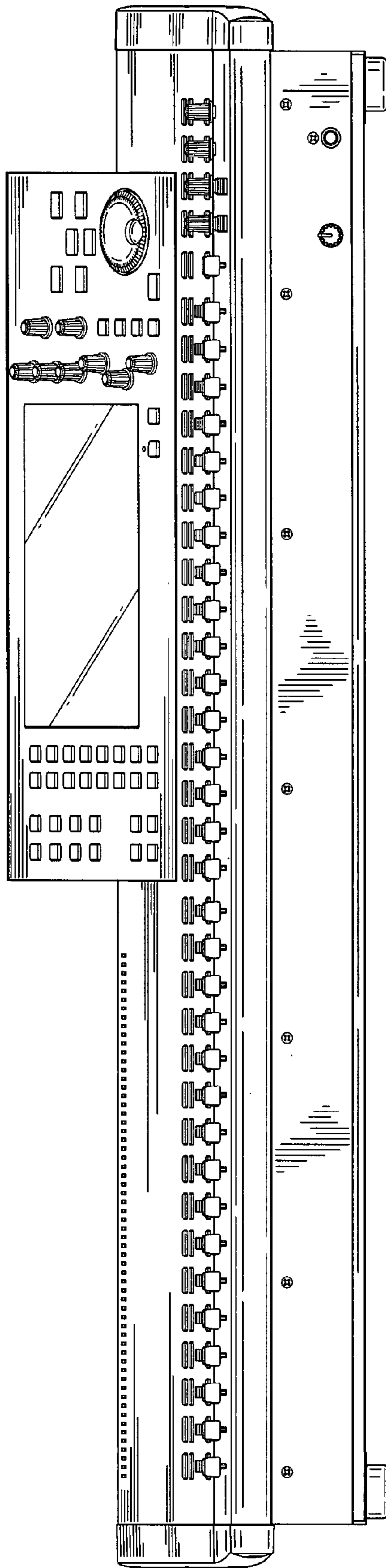


FIG. 3

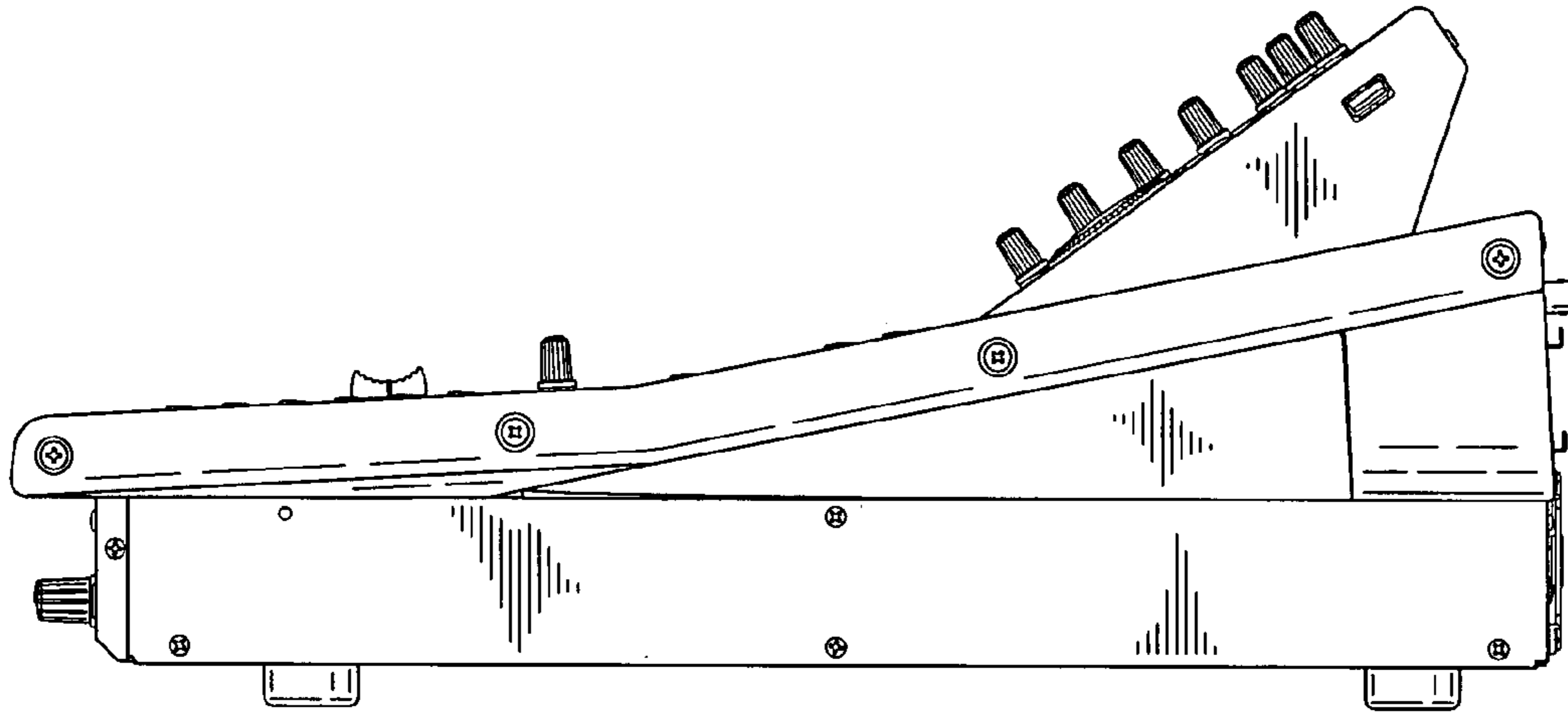


FIG. 4

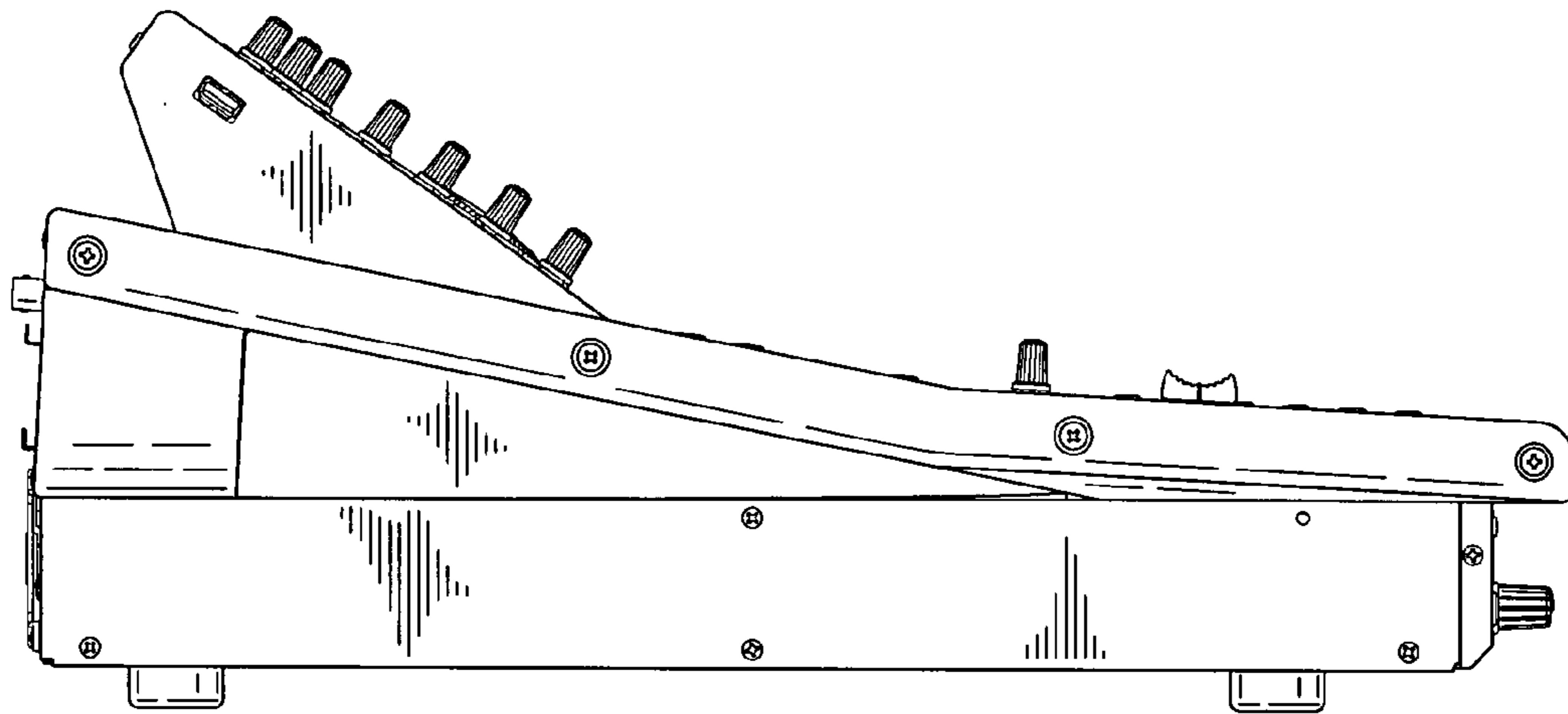


FIG. 5

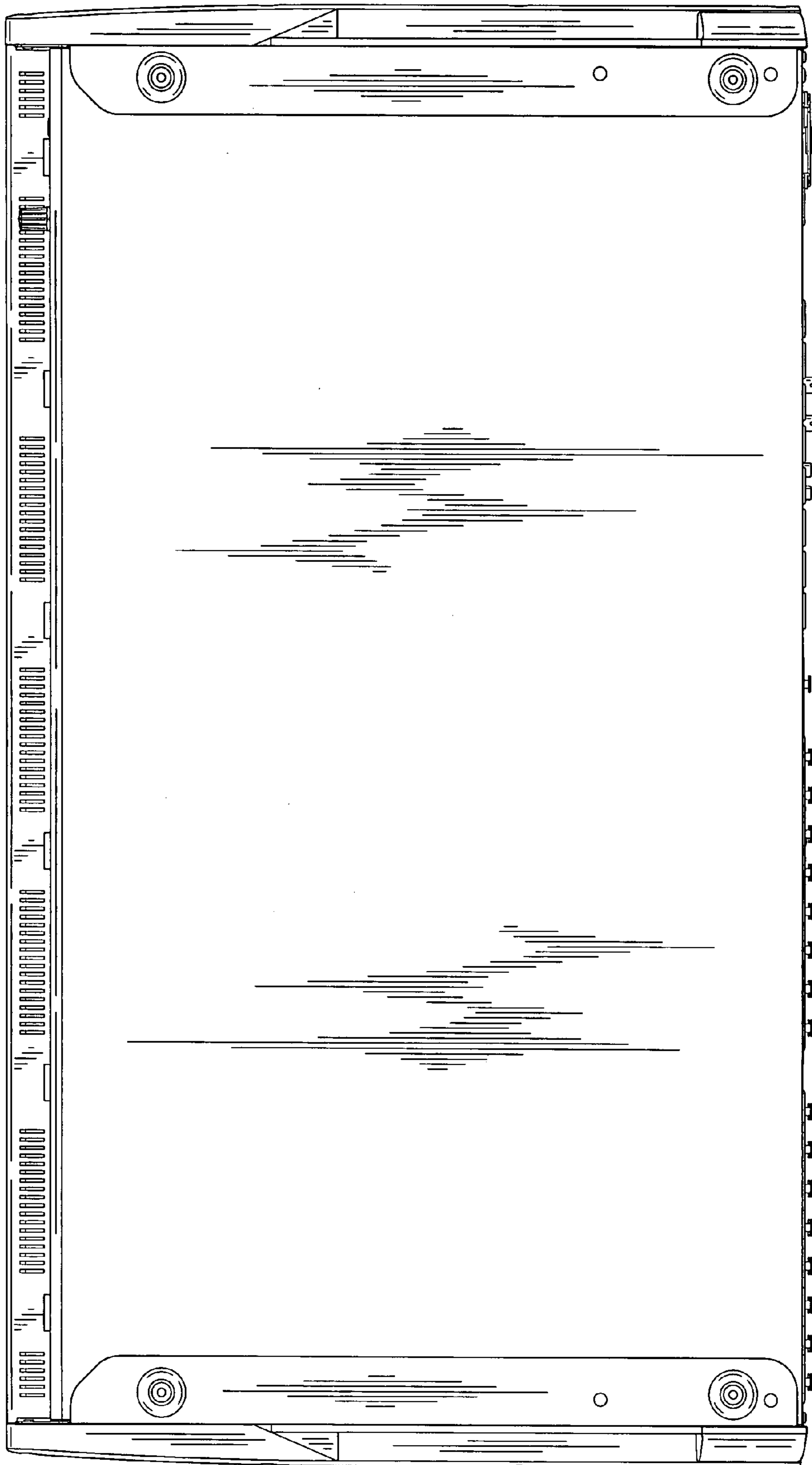


FIG. 6

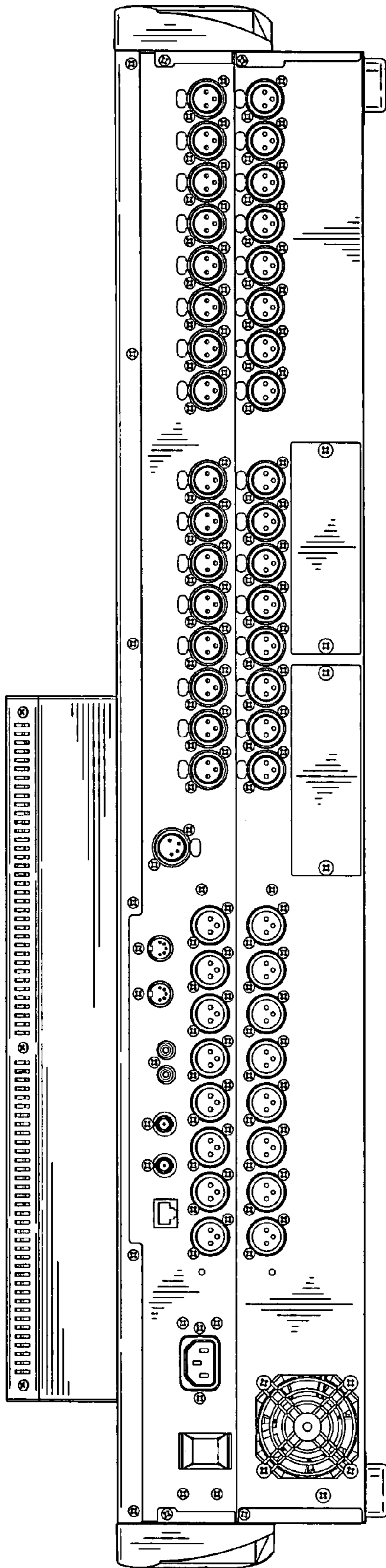


FIG. 7