



US00D555637S

(12) **United States Design Patent** (10) **Patent No.:** **US D555,637 S**
Ishizaki et al. (45) **Date of Patent:** **** Nov. 20, 2007**

(54) **DEVICE FOR MIXING SOUNDS OF MUSICAL INSTRUMENTS**

2004/0109573 A1* 6/2004 Haba 381/119

FOREIGN PATENT DOCUMENTS

(75) Inventors: **Hideaki Ishizaki**, Tokyo (JP);
Takekazu Iijima, Tokyo (JP)

JP	1206707 S	5/2004
JP	1206708 S	5/2004
JP	1226048 S	12/2004

(73) Assignee: **Pioneer Corporation**, Tokyo (JP)

OTHER PUBLICATIONS

(**) Term: **14 Years**

DJ Resource, "Pioneer DJM-800—4 Channel Digital Effects Mixer with Filters", http://www.djresource.eu/Topics/story/99/Pioneer_DJM-800/, Jan. 19, 2006, 1pg.*
Pioneer Corporation Product Catalogue, : issue prior to filing date.
Pioneer Corporation Product Catalogue, : issued Dec. 2003.

(21) Appl. No.: **29/257,117**

(22) Filed: **Mar. 30, 2006**

* cited by examiner

(30) **Foreign Application Priority Data**

Dec. 22, 2005 (JP) 2005-037672

Primary Examiner—Stella Reid
Assistant Examiner—Keli' L. Acker

(51) **LOC (8) Cl.** **14-01**

(52) **U.S. Cl.** **D14/217**

(58) **Field of Classification Search** D14/156,
D14/162, 167, 168, 188, 196–198, 217, 257,
D14/258; D13/163, 164; 84/625, 660, 697;
381/118–120, 334; 455/350, 347

(74) *Attorney, Agent, or Firm*—Sughrue Mion pllc.

See application file for complete search history.

(57) **CLAIM**

The ornamental design for a device for mixing sounds of musical instruments, as shown.

(56) **References Cited**

U.S. PATENT DOCUMENTS

D273,950 S *	5/1984	Itoh et al.	D14/217
D288,437 S *	2/1987	Itoh et al.	D14/164
D325,737 S *	4/1992	Ito et al.	D14/217
D435,250 S *	12/2000	Mackie et al.	D14/217
D455,731 S *	4/2002	Mackie et al.	D14/217
D456,015 S *	4/2002	Santos	D14/217
D477,589 S *	7/2003	Takita et al.	D14/217
D500,027 S *	12/2004	Takahashi	D14/217
D501,462 S *	2/2005	Takahashi	D14/217

DESCRIPTION

FIG. 1 is a perspective view of the front, right side and bottom of a device for mixing sounds of musical instruments showing our new design;

FIG. 2 is a front elevational view thereof;

FIG. 3 is a rear elevational view thereof;

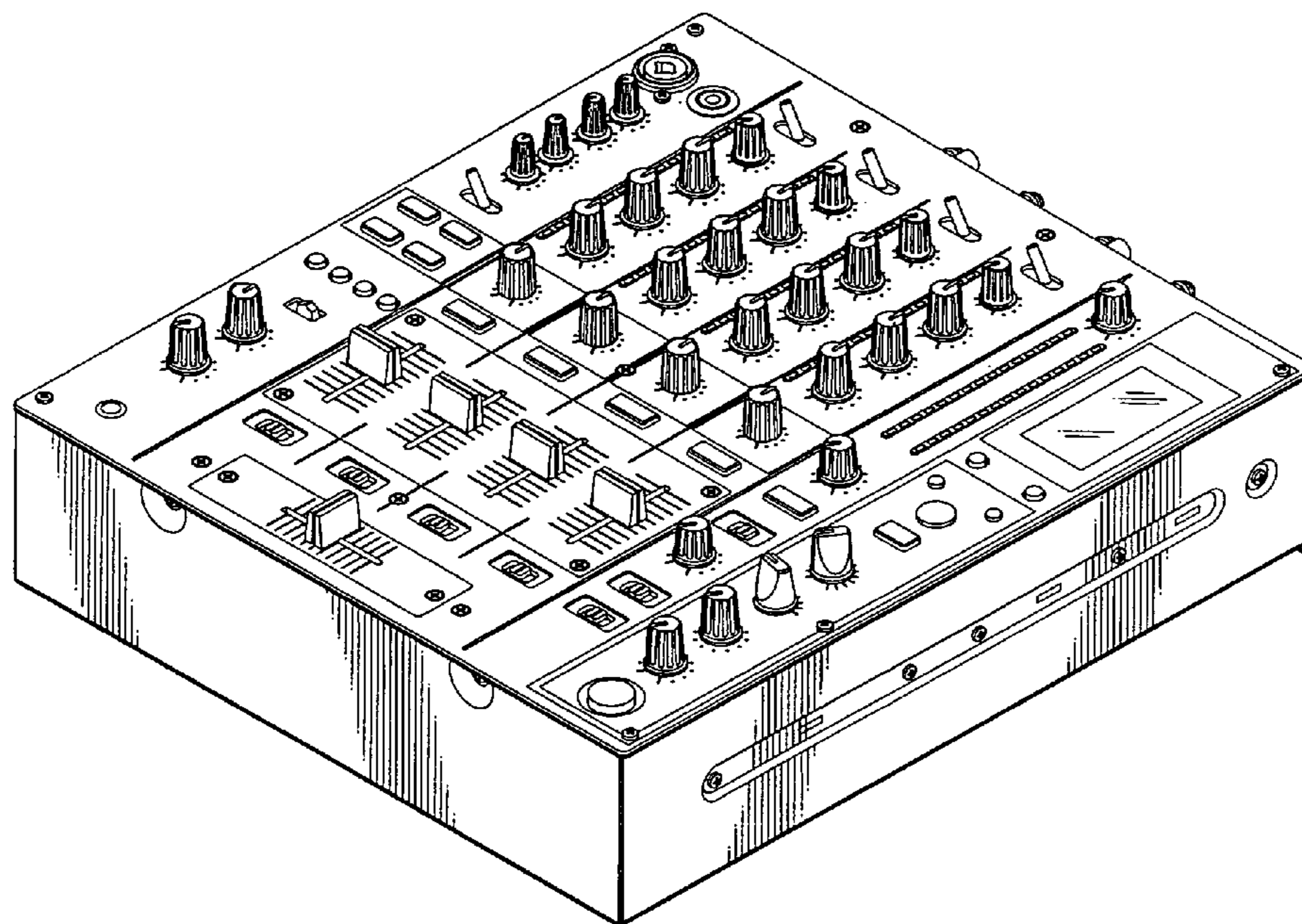
FIG. 4 is a left side elevational view thereof;

FIG. 5 is a right side elevational view thereof;

FIG. 6 is a top plan view thereof; and,

FIG. 7 is a bottom plan view thereof.

1 Claim, 5 Drawing Sheets



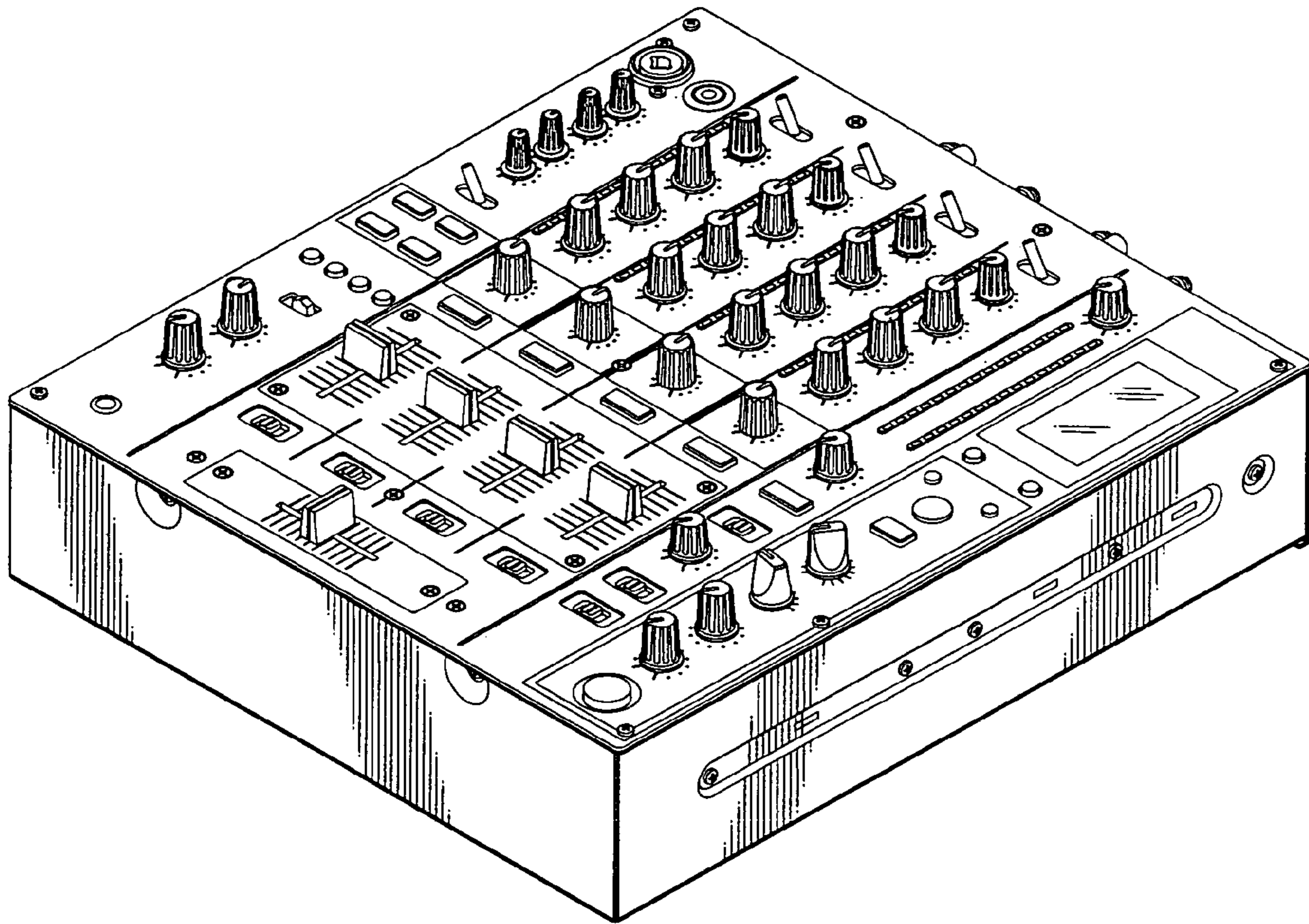


FIG. 1

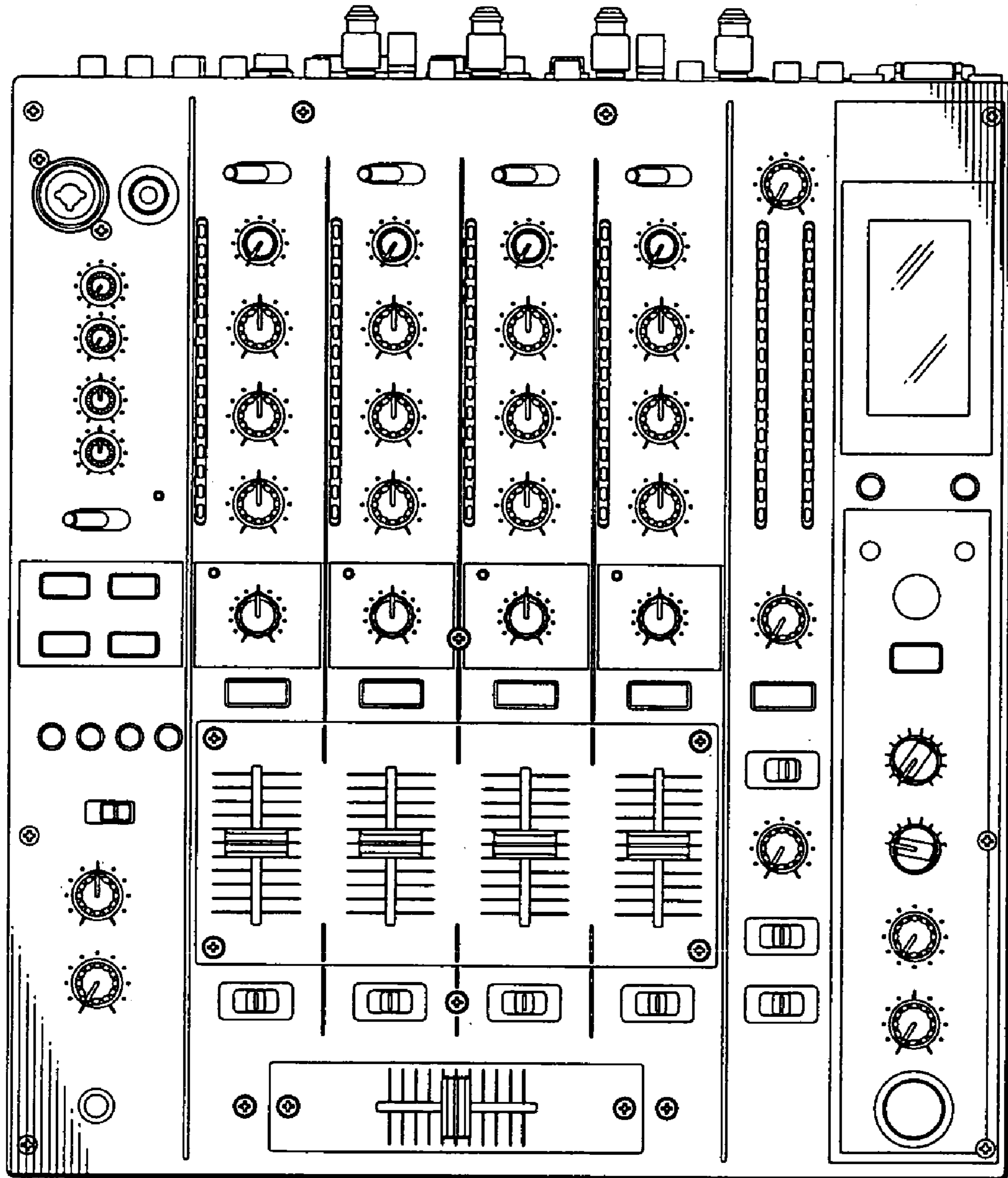


FIG. 2

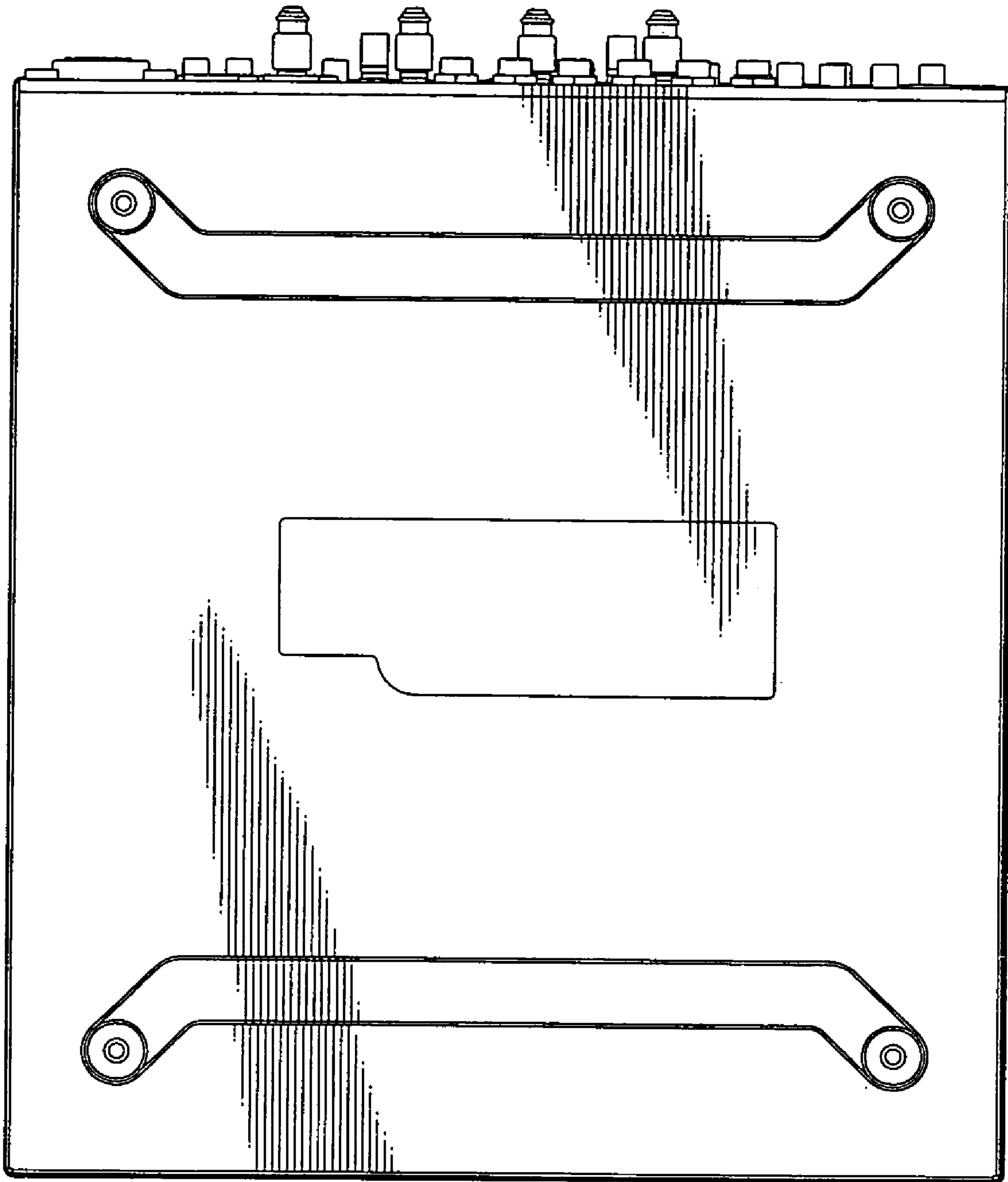


FIG. 3

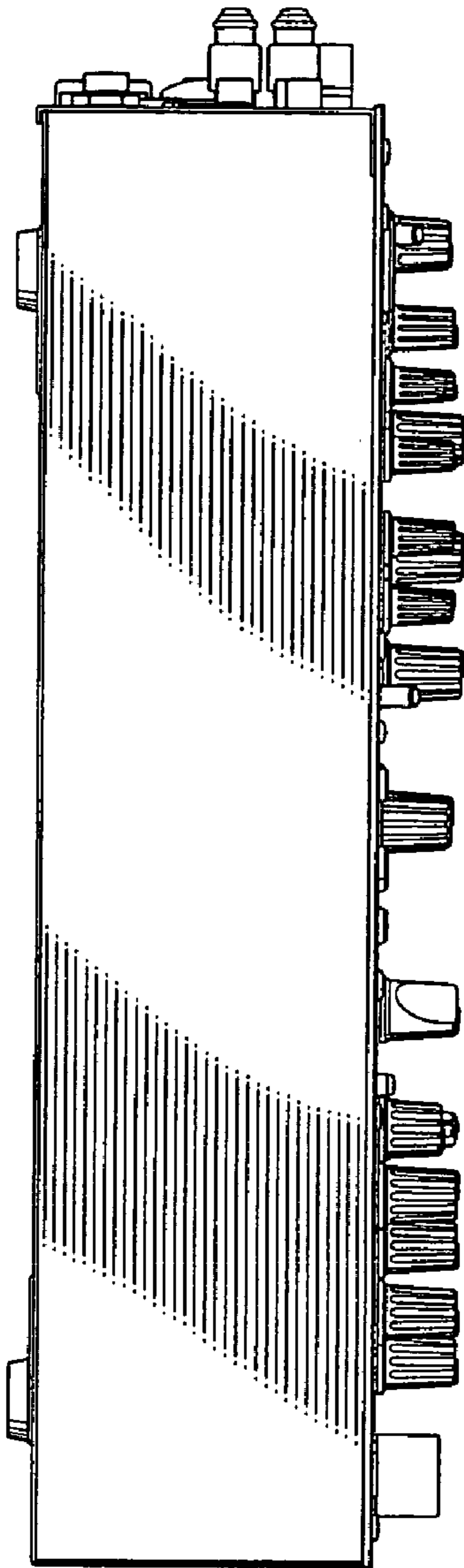


FIG. 4

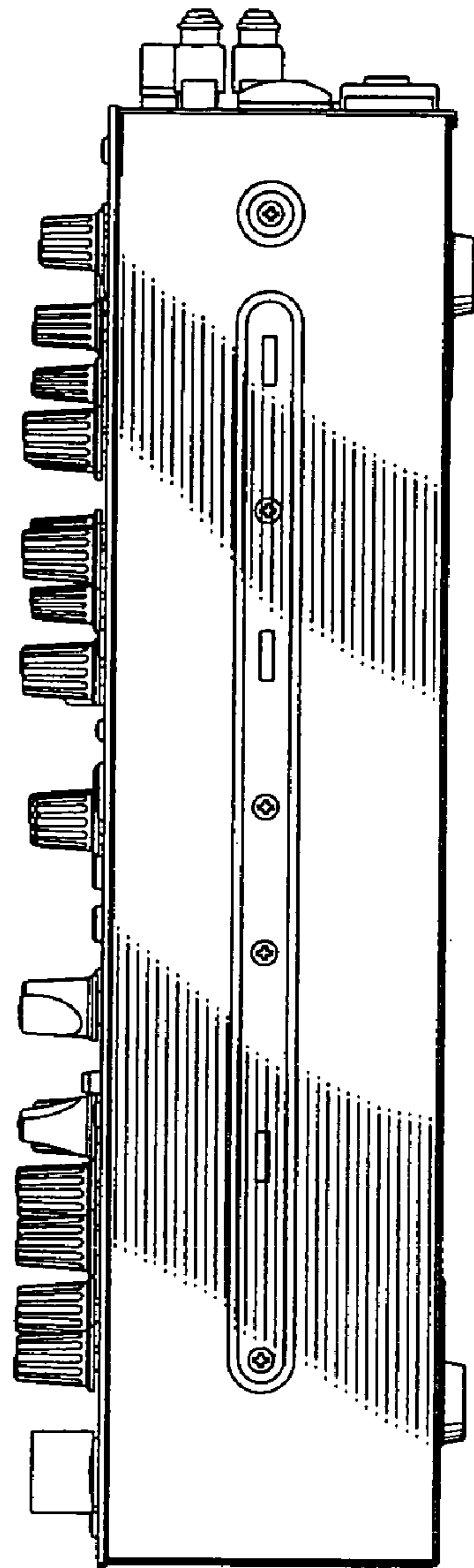


FIG. 5

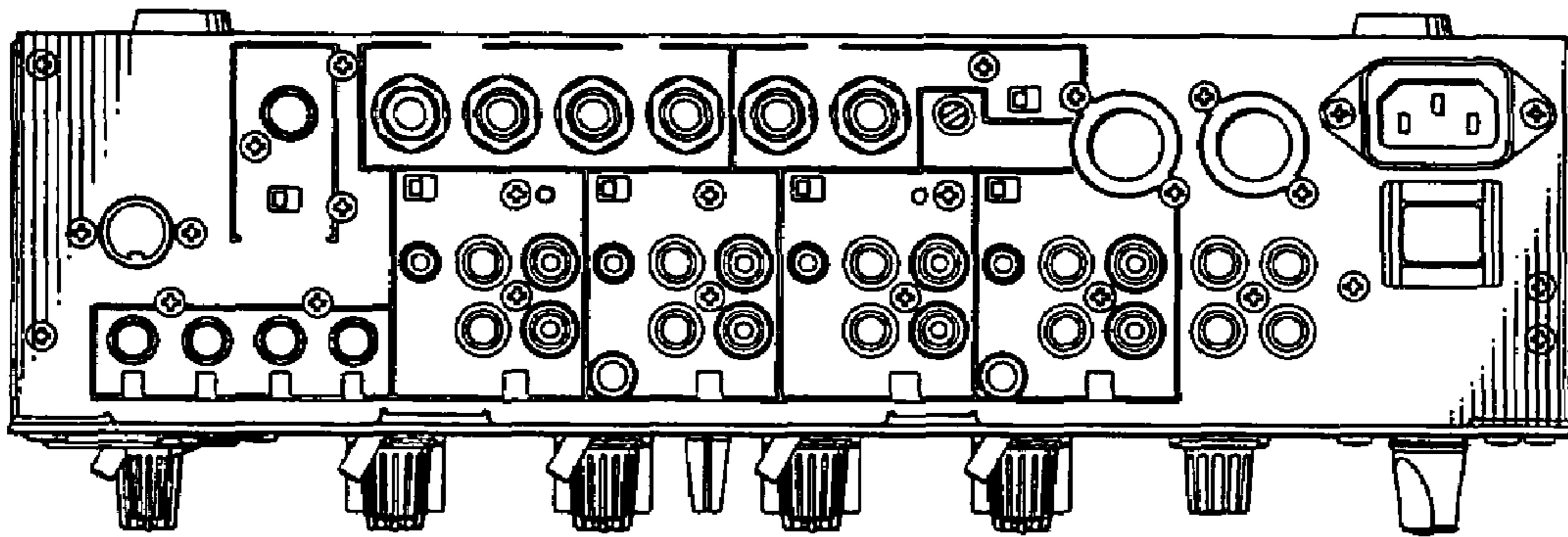


FIG. 6

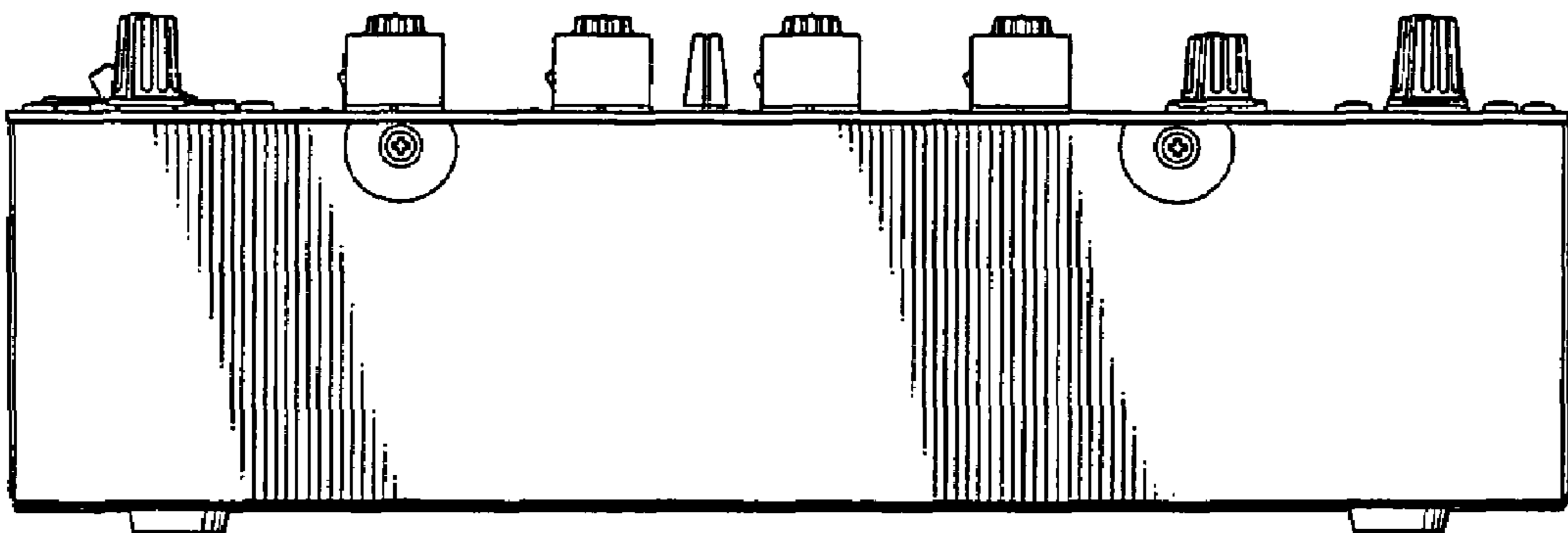


FIG. 7