



US00D555631S

(12) **United States Design Patent**
Hussaini et al.

(10) **Patent No.:** **US D555,631 S**

(45) **Date of Patent:** **** Nov. 20, 2007**

(54) **FM TRANSMITTER ACCESSORY FOR PORTABLE AUDIO DEVICE**

(75) Inventors: **Saied Hussaini**, Miami, FL (US); **Marc Iacovelli**, Miami, FL (US)

(73) Assignee: **Intec, Inc.**, Miami, FL (US)

(**) Term: **14 Years**

(21) Appl. No.: **29/257,141**

(22) Filed: **Mar. 30, 2006**

(51) **LOC (8) Cl.** **14-03**

(52) **U.S. Cl.** **D14/155**

(58) **Field of Classification Search** D14/167, D14/154, 168, 188, 496, 156, 218, 160, 161, D14/162, 163, 164, 165, 191, 192; D16/208; D26/38; D10/104; 455/350, 351
See application file for complete search history.

(56) **References Cited**

U.S. PATENT DOCUMENTS

D328,056 S *	7/1992	Watanabe et al.	D13/108
D344,709 S *	3/1994	Cooper	D13/110
D354,951 S *	1/1995	Fenton et al.	D14/242
D427,587 S *	7/2000	Jacobsen et al.	D14/240
D488,795 S *	4/2004	Christianson	D14/155
D507,261 S *	7/2005	Griffin	D14/226
D532,776 S *	11/2006	Griffin	D14/218
D535,278 S *	1/2007	Hussaini et al.	D14/155

D537,807 S * 3/2007 Griffin et al. D14/155
* cited by examiner

Primary Examiner—Cathron C. Brooks
Assistant Examiner—Austin Murphy
(74) *Attorney, Agent, or Firm*—Berenato, White and Stavish

(57) **CLAIM**

The ornamental design for a FM transmitter accessory for portable audio device, as shown and described.

DESCRIPTION

FIG. 1 is a front elevational perspective view of the FM transmitter for portable audio device according to the present invention.

FIG. 2 is a front View of the FM transmitter for portable audio device of FIG. 1.

FIG. 3 is a rear view of the FM transmitter for portable audio device of FIG. 1.

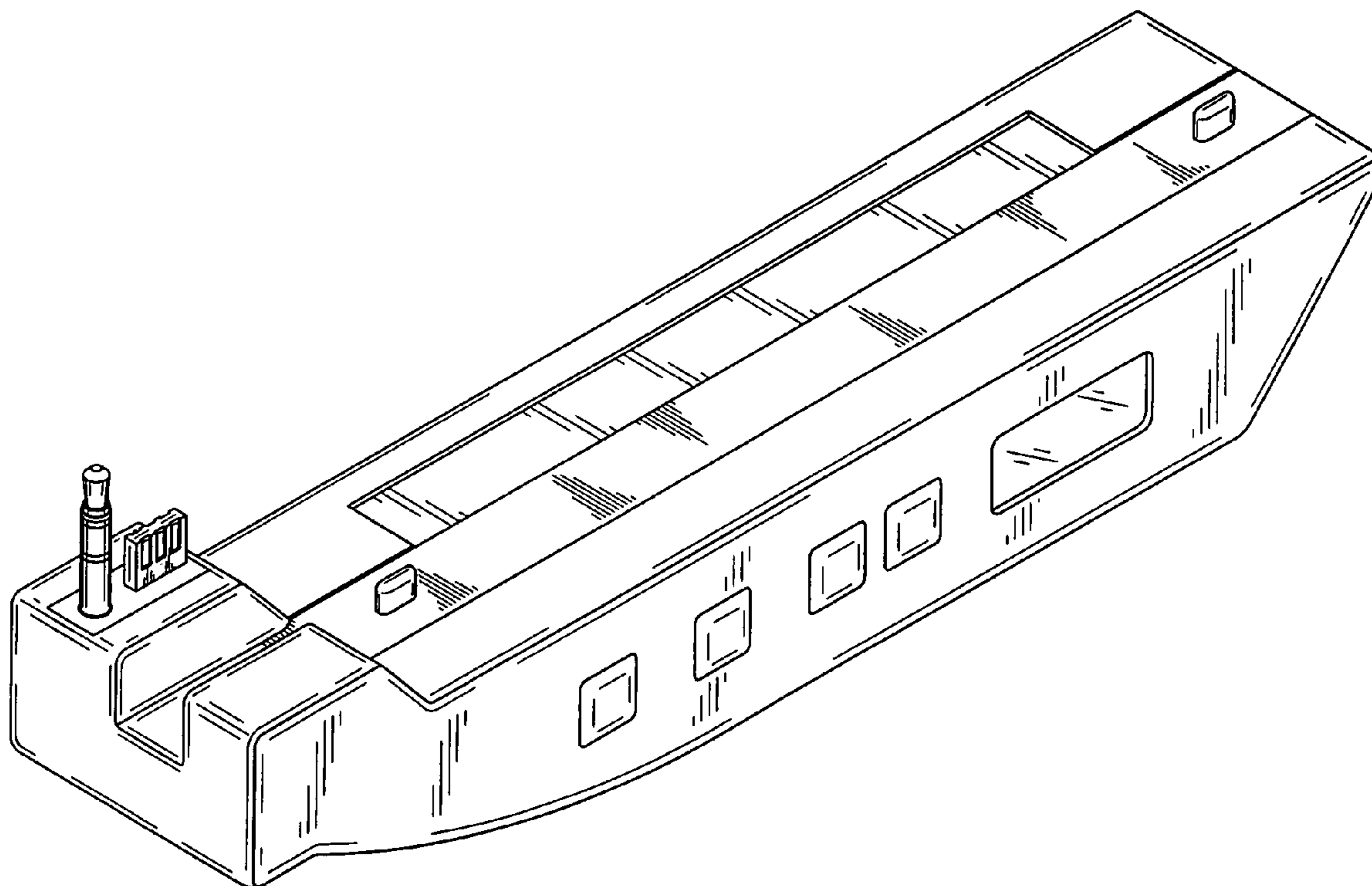
FIG. 4 is a right side view of the FM transmitter for portable audio device of FIG. 1.

FIG. 5 is a left side view of the FM transmitter for portable audio device of FIG. 1.

FIG. 6 is a top view of the FM transmitter for portable audio device of FIG. 1; and,

FIG. 7 is a bottom view of the FM transmitter for portable audio device of FIG. 1.

1 Claim, 4 Drawing Sheets



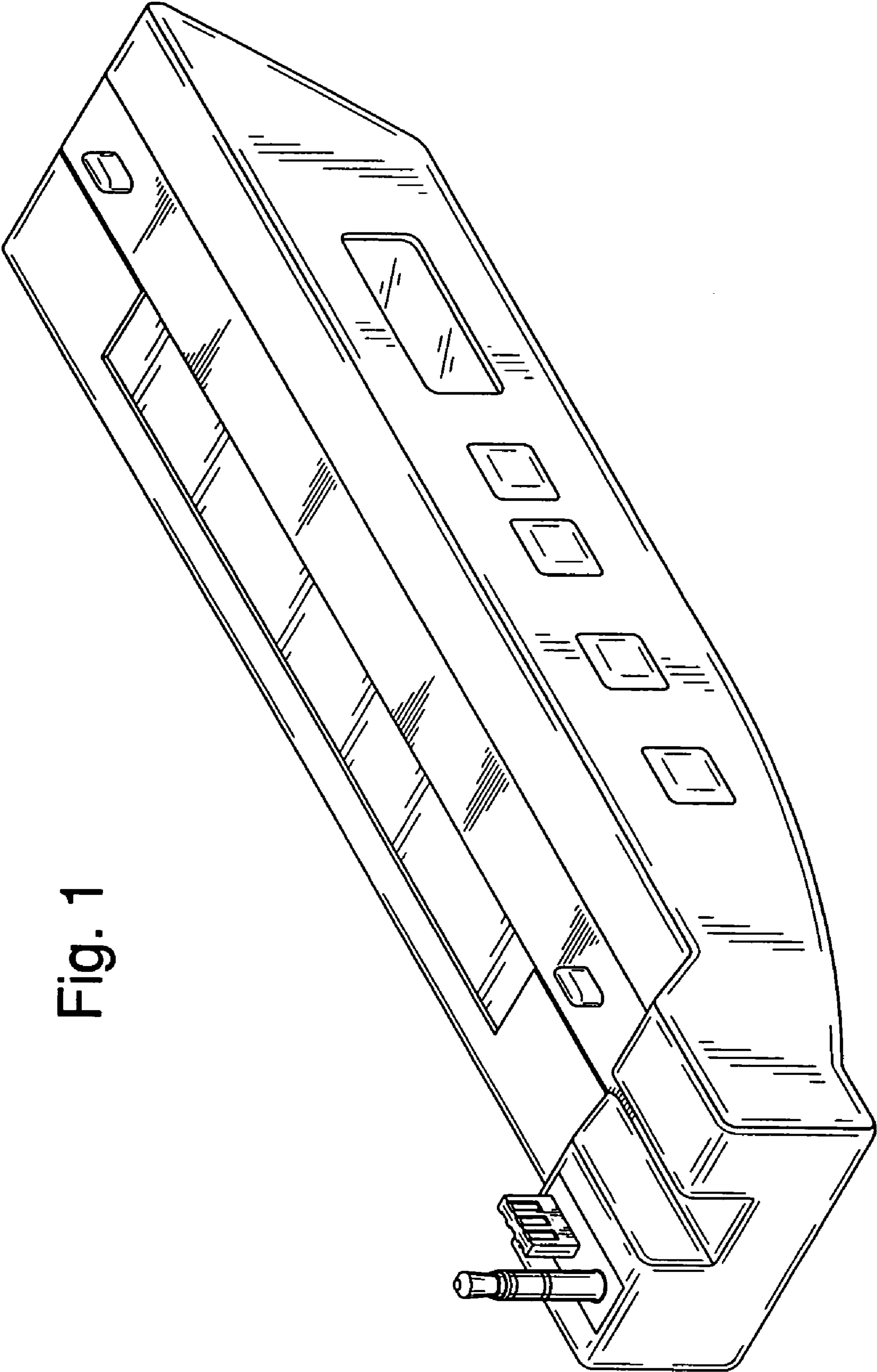


Fig. 1

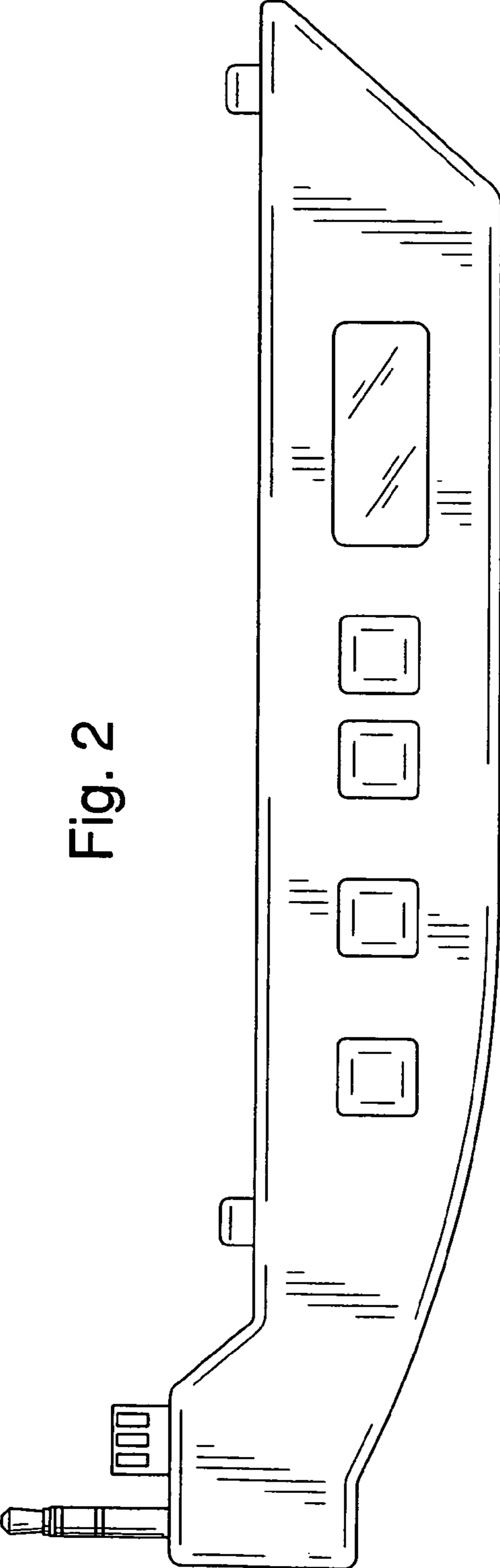


Fig. 2

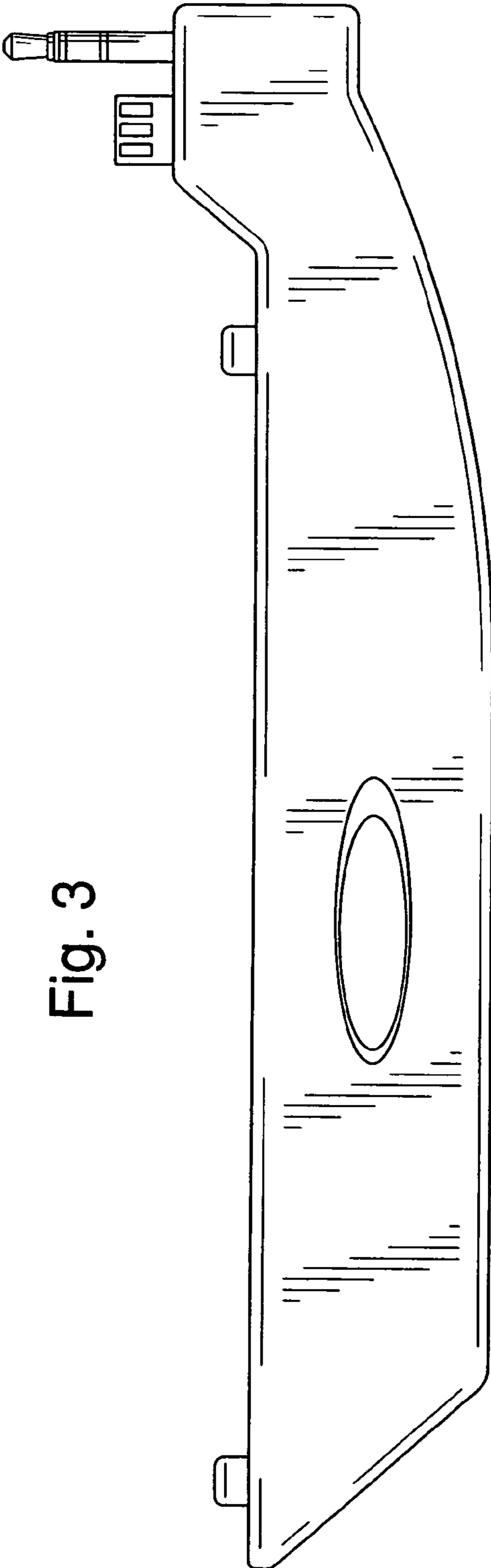


Fig. 3

Fig. 4

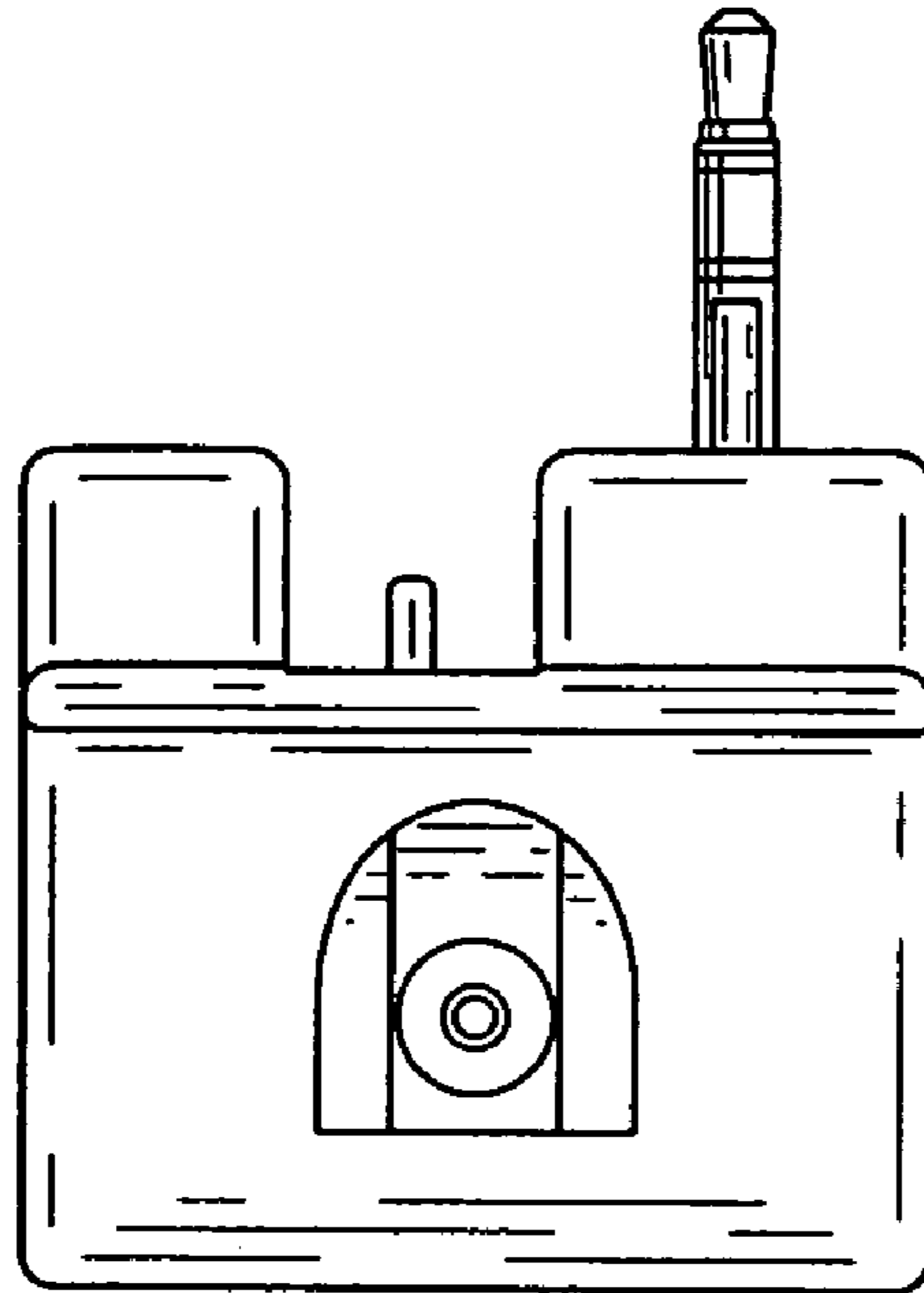


Fig. 5

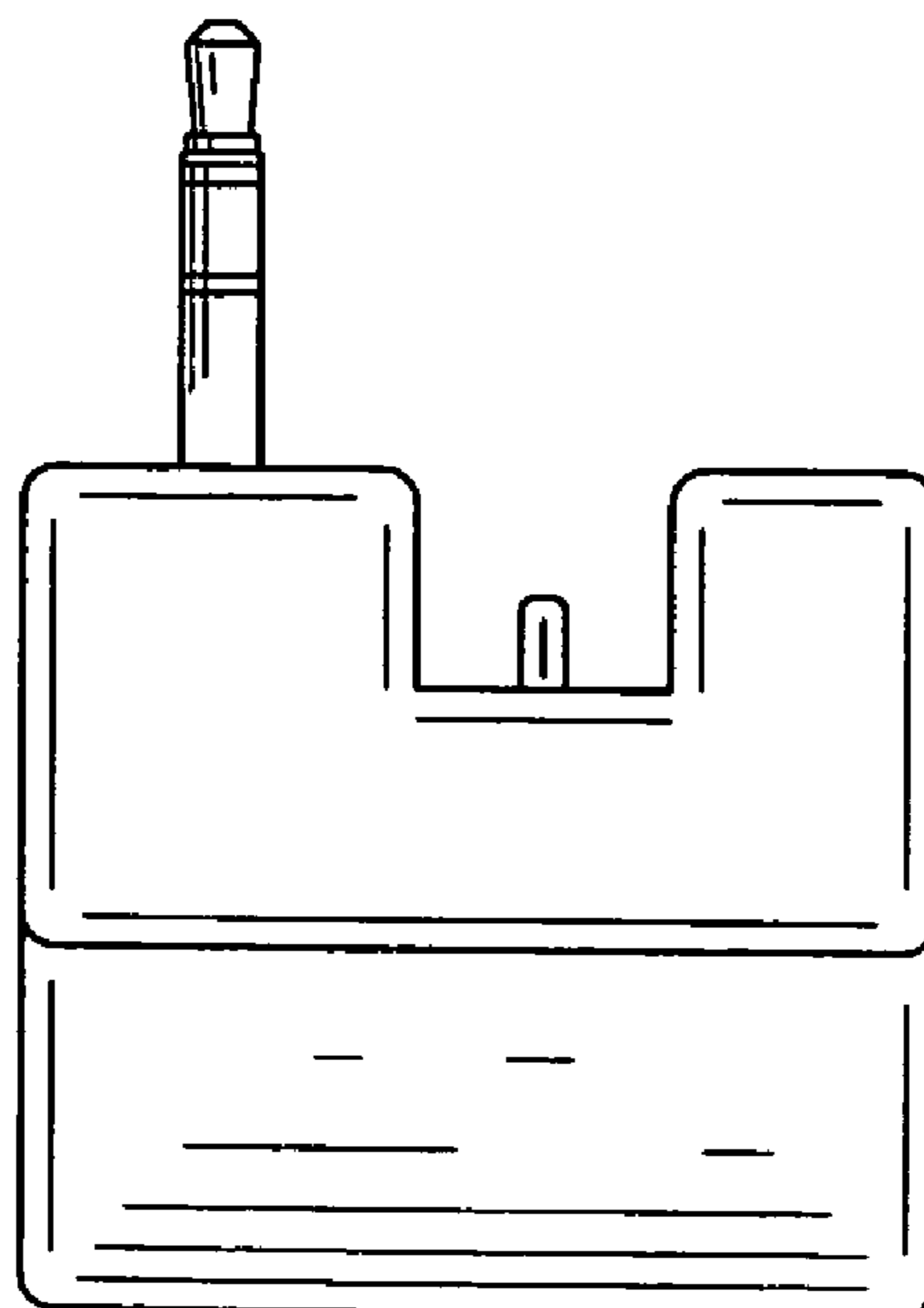


Fig. 6

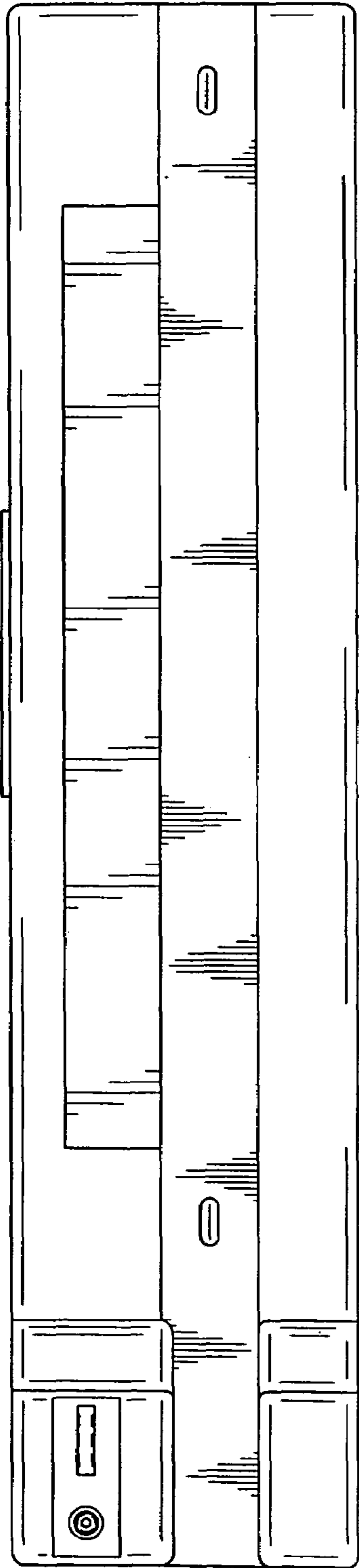


Fig. 7

