



US00D555618S

(12) **United States Design Patent**
Mursalie et al.

(10) **Patent No.:** **US D555,618 S**
(45) **Date of Patent:** **** Nov. 20, 2007**

(54) **MOBILE PHONE**

D530,297 S * 10/2006 Moon et al. D14/138

(75) Inventors: **Davis Mursalie**, Seoul (KR); **Min Sung Bae**, Seoul (KR)

(Continued)

(73) Assignee: **LG Electronics Inc.**, Seoul (KR)

OTHER PUBLICATIONS

(**) Term: **14 Years**

Sagem MY Z-55, announced 1st quarter 2005, [online], [retrieved on Feb. 20, 2007]. Retrieved from Internet ,<URL: <http://www.gsmarena.com>>.*

(21) Appl. No.: **29/260,893**

Gigabyte g-Smart i (128), announced 2005, [online], [retrieved on Feb. 20, 2007]. Retrieved from Internet ,<URL: <http://www.gsmarena.com>>.*

(22) Filed: **Jun. 5, 2006**

BenQ-Siemens CL71, announced Mar. 2006, [online], [retrieved on Feb. 16, 2007]. Retrieved from Internet ,<URL: <http://www.gsmarena.com>>.*

(30) **Foreign Application Priority Data**

Asus P535, announced Nov. 2006, [online], [retrieved on Feb. 20, 2007]. Retrieved from Internet ,<URL: <http://www.gsmarena.com>>.*

Dec. 6, 2005 (KR) 30-2005-0041006

(51) **LOC (8) Cl.** **14-03**

Primary Examiner—Jeffrey Asch

(52) **U.S. Cl.** **D14/138**

Assistant Examiner—Bridget L Eland

(58) **Field of Classification Search** D14/137,
D14/138, 147, 218, 341–347, 496; 455/90.3,
455/556.1, 556.2, 575.1, 575.3, 575.4; 379/433.01–433.13;
361/814; 348/14.02

(74) *Attorney, Agent, or Firm*—Birch, Stewart, Kolasch & Birch, LLP

See application file for complete search history.

(57) **CLAIM**

The ornamental design for a mobile phone, as shown and described.

(56) **References Cited**

DESCRIPTION

U.S. PATENT DOCUMENTS

D495,695 S *	9/2004	Yugaya	D14/346
D496,645 S *	9/2004	Yoo et al.	D14/138
D509,215 S *	9/2005	Han et al.	D14/343
D517,038 S *	3/2006	Lee et al.	D14/138
D525,226 S *	7/2006	Jang	D14/138
D526,301 S *	8/2006	Shin	D14/138
D526,984 S *	8/2006	Kim et al.	D14/138
D527,364 S *	8/2006	Lee et al.	D14/138
D527,368 S *	8/2006	Kim et al.	D14/138
D527,716 S *	9/2006	Kim et al.	D14/138
D528,094 S *	9/2006	Hwang	D14/138
D528,532 S *	9/2006	Dimitriadis et al.	D14/138
D529,474 S *	10/2006	Park et al.	D14/138
D529,887 S *	10/2006	Chung et al.	D14/138
D529,891 S *	10/2006	Hyun et al.	D14/138

FIG. 1 is a perspective view of a mobile phone showing my (our) new design;

FIG. 2 is a front view thereof;

FIG. 3 is a rear view thereof;

FIG. 4 is a left side view thereof;

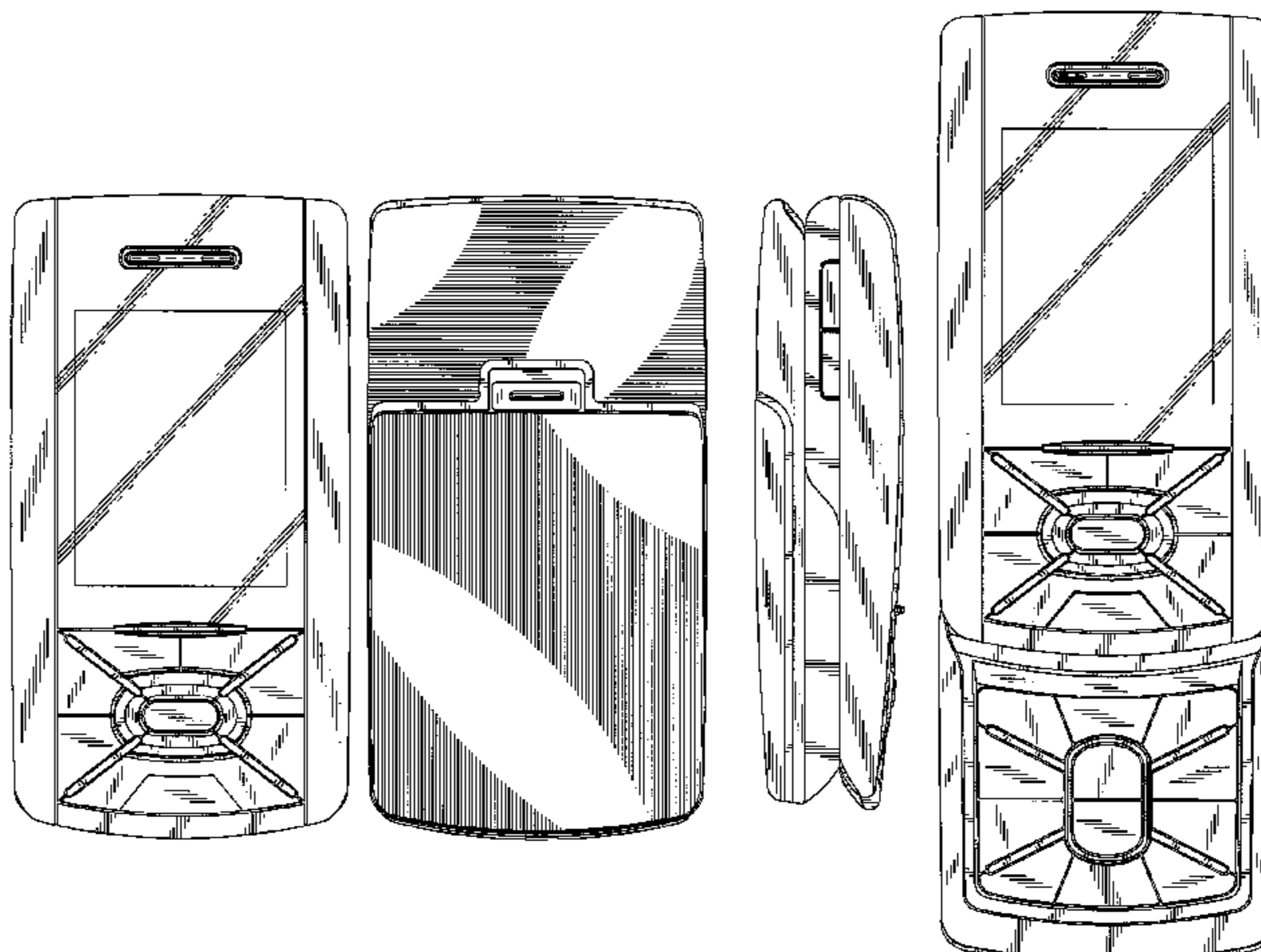
FIG. 5 is a right side view thereof;

FIG. 6 is a top plan view thereof;

FIG. 7 is a bottom plan view thereof; and,

FIG. 8 is a front view thereof in a condition that the upper body thereof is slided upward and the inner key pad is exposed.

1 Claim, 7 Drawing Sheets



US D555,618 S

Page 2

U.S. PATENT DOCUMENTS							
				2005/0255897	A1*	11/2005	Lee et al. 455/575.4
				2006/0205450	A1*	9/2006	Amano et al. 455/575.4
				2006/0252471	A1*	11/2006	Pan 455/575.4
				2007/0032278	A1*	2/2007	Lee et al. 455/575.4
				2007/0072659	A1*	3/2007	Ryu 455/575.3
D531,610	S	*	11/2006	Kim et al.	D14/138		
D534,890	S	*	1/2007	Kim D14/138			
D536,326	S	*	2/2007	Kim et al.	D14/138		
D536,691	S	*	2/2007	Park D14/138			
2003/0162560	A1*		8/2003	Kaneko 455/550			

* cited by examiner

FIG. 1

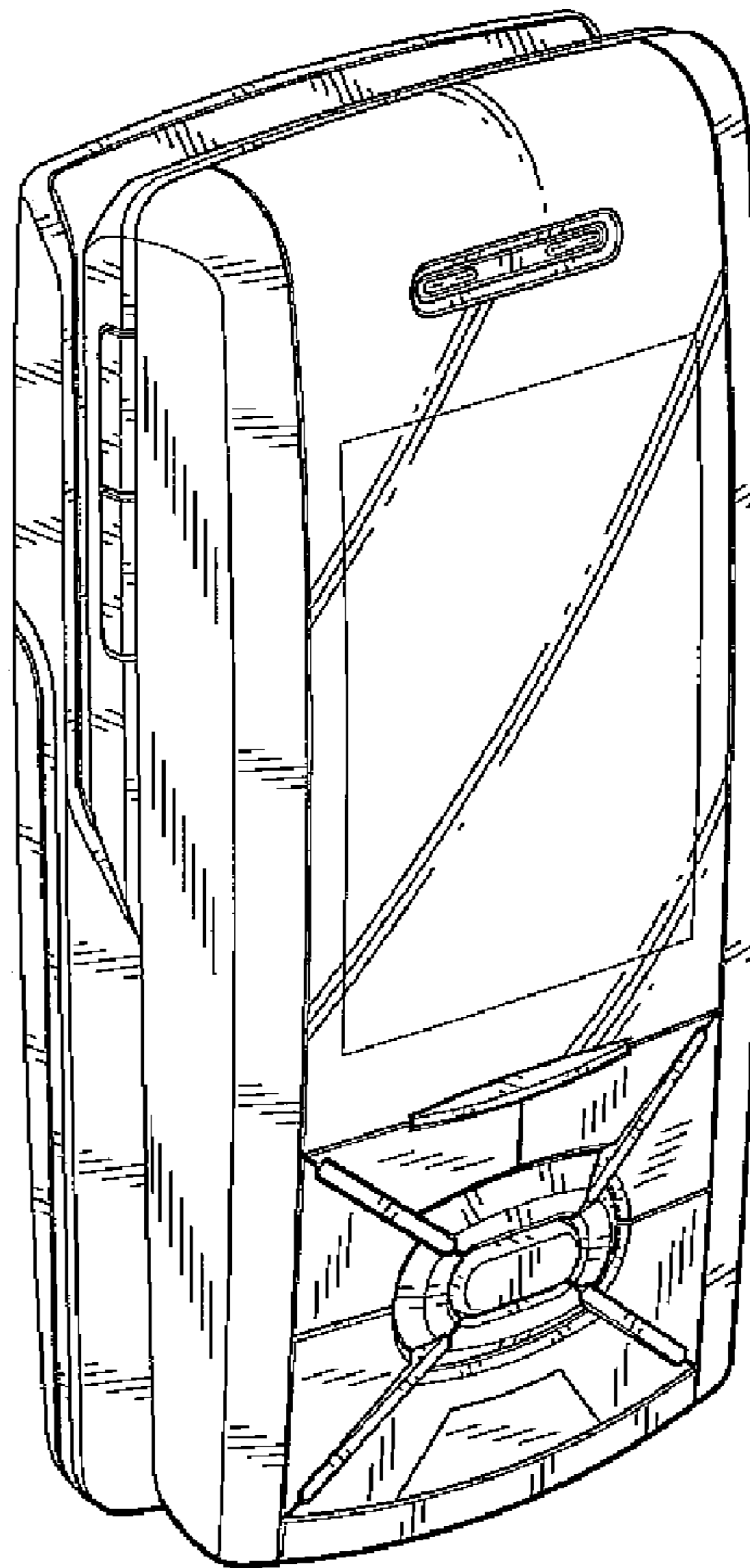


FIG. 2

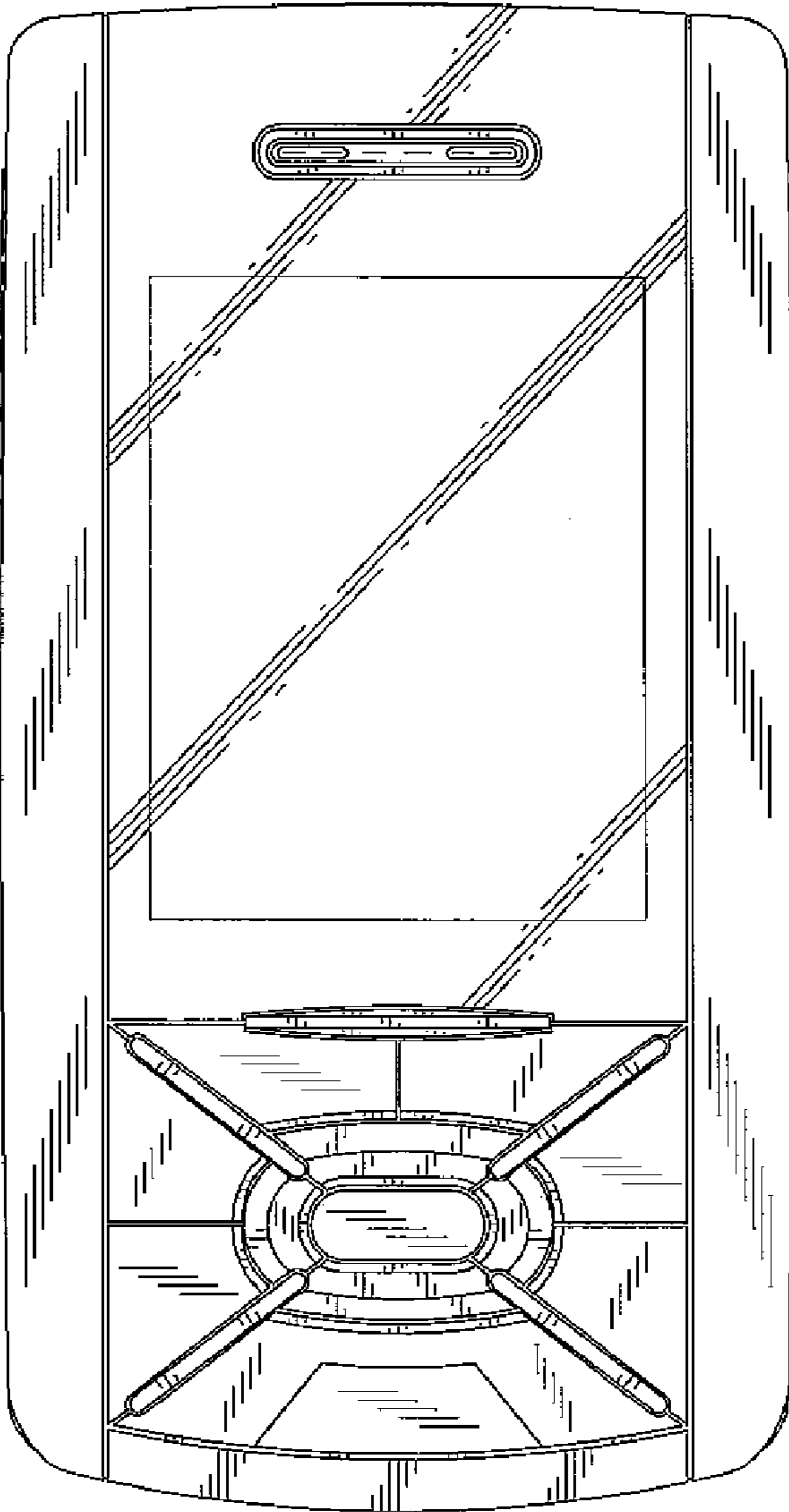


FIG. 3

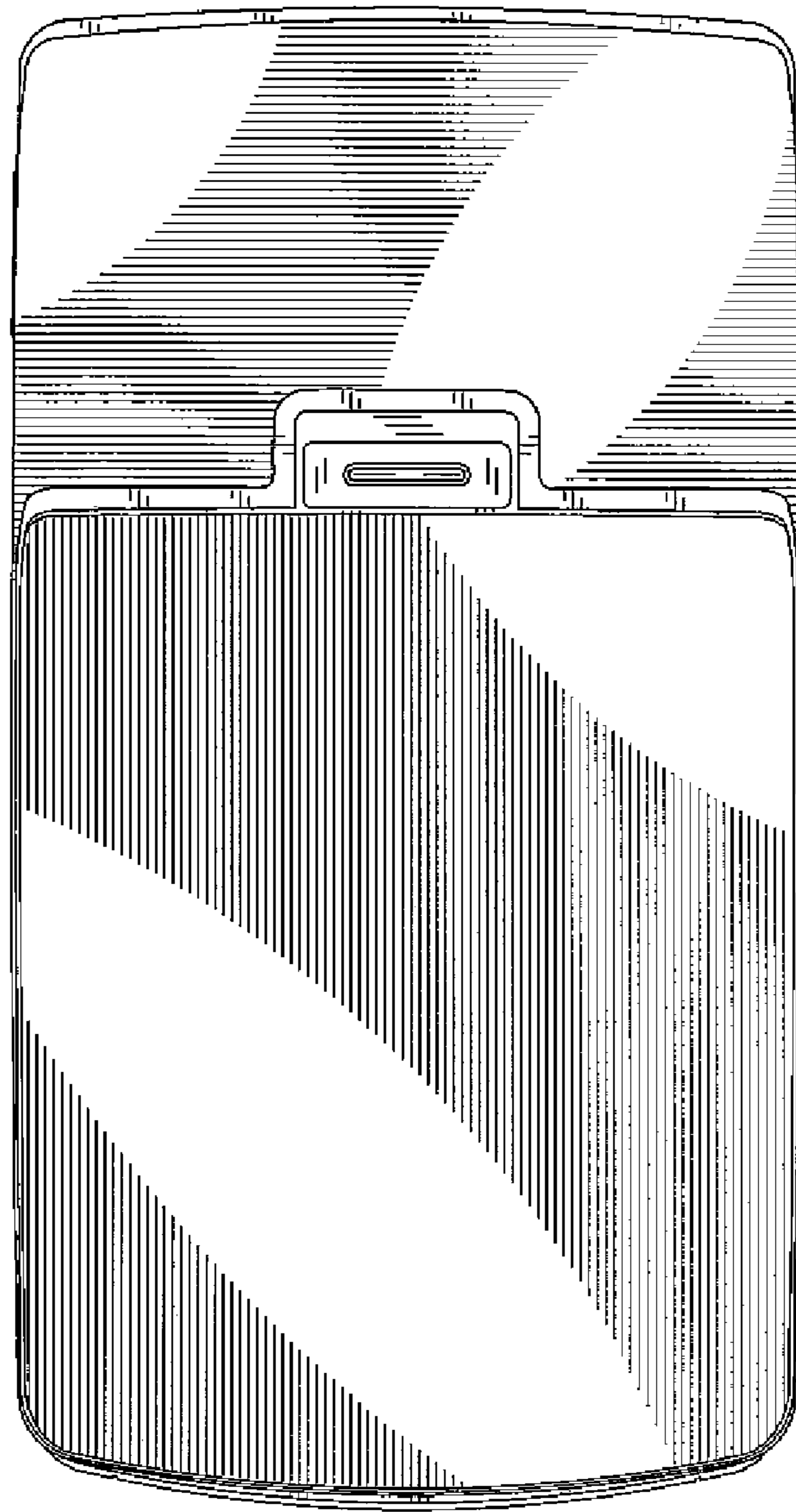


FIG. 4

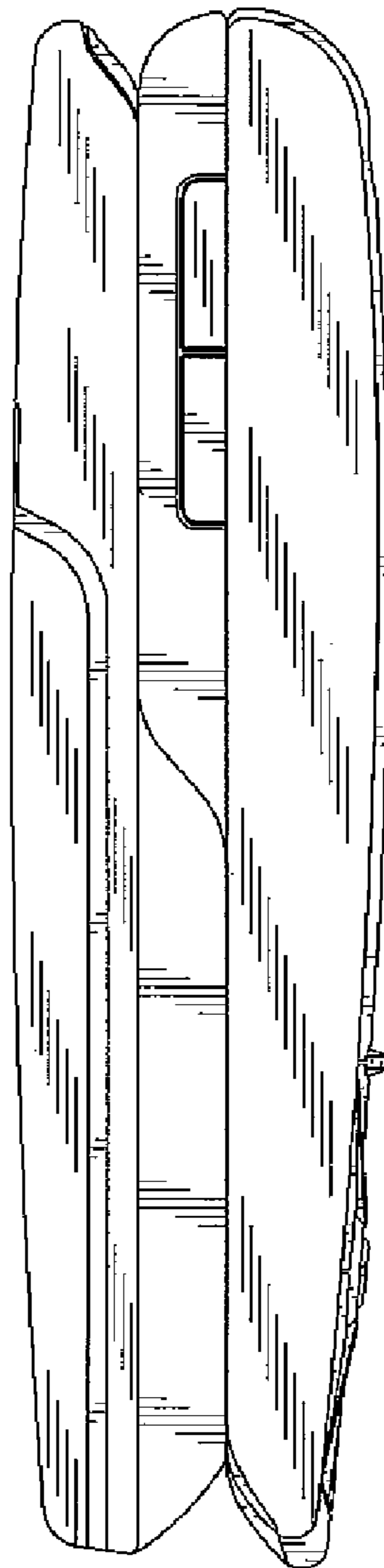


FIG. 5

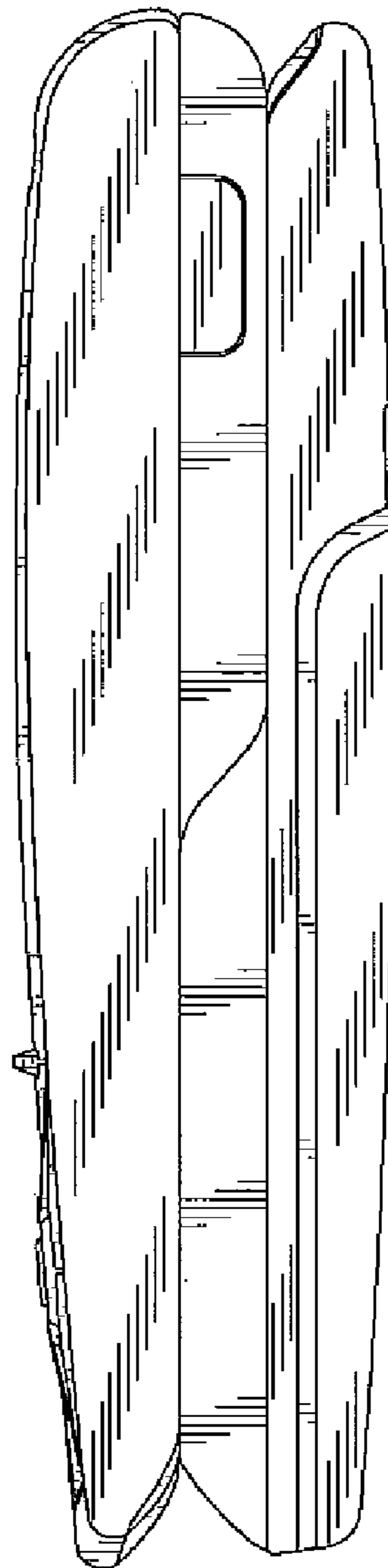


FIG. 6

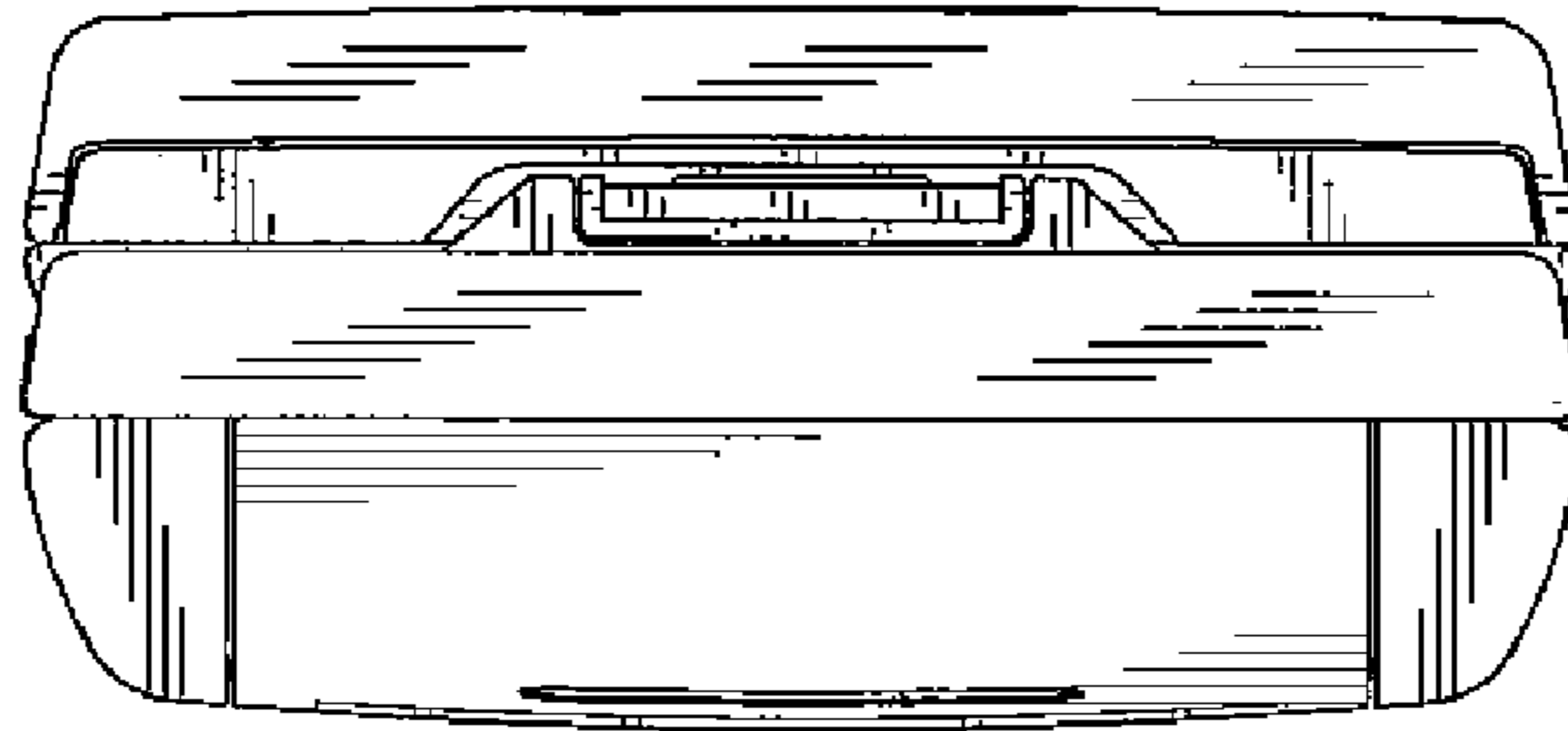


FIG. 7

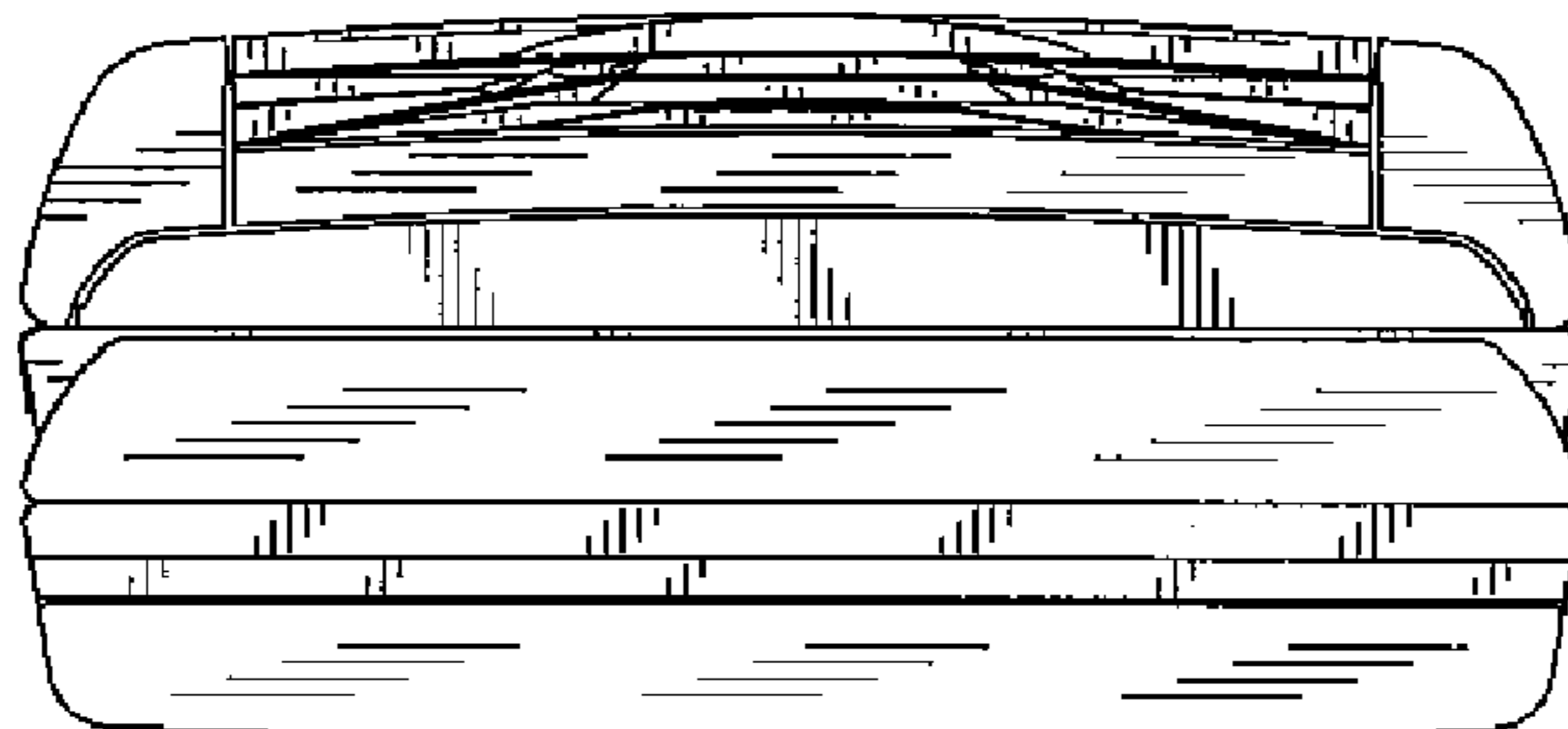


FIG. 8

