



US00D555614S

(12) **United States Design Patent** (10) **Patent No.:** **US D555,614 S**
Holmung et al. (45) **Date of Patent:** **** Nov. 20, 2007**

(54) **HANDSET**

(75) Inventors: **Ingve Holmung**, London (GB);
Anthony Dalby, London (GB)

(73) Assignee: **Nokia Corporation**, Espoo (FI)

(**) Term: **14 Years**

(21) Appl. No.: **29/238,389**

(22) Filed: **Sep. 15, 2005**

(30) **Foreign Application Priority Data**

Mar. 16, 2005 (FI) M20050046

(51) **LOC (8) Cl.** **14-03**

(52) **U.S. Cl.** **D14/138**

(58) **Field of Classification Search** D14/496,
D14/138, 341-347, 455, 456; 455/575.3,
455/575.1; D21/517, 329, 333; 345/169

See application file for complete search history.

(56) **References Cited**

U.S. PATENT DOCUMENTS

5,363,089 A * 11/1994 Goldenberg 340/7.63

(Continued)

FOREIGN PATENT DOCUMENTS

WO IB DM/063714 7/2003
WO IB DM/065421 7/2004
WO IB DM/066166 1/2005

OTHER PUBLICATIONS

Nokia N90 telephone, announced 2quarter 2005, [online], [retrieved on May 9, 2007]. Retrieved from Internet , <URL: <http://www.gsmarena.com>>.*
Sony Ericsson Z710 telephone, announced May 2006, [online], [retrieved on May 9, 2007]. Retrieved from Internet , <URL: <http://www.gsmarena.com>>.*

Samsung P850 telephone, announced 1st quarter 2005, [online], [retrieved on May 9, 2007]. Retrieved from Internet , <URL: <http://www.gsmarena.com>>.*

Primary Examiner—Jeffrey Asch

(74) *Attorney, Agent, or Firm*—Banner & Witcoff, Ltd.

(57) **CLAIM**

The ornamental design for a handset, as shown and described.

DESCRIPTION

FIG. 1 is a bottom plan view of a handset showing our new design;

FIG. 2 is a right side view thereof;

FIG. 3 is a front view thereof;

FIG. 4 is a left side view thereof;

FIG. 5 is a top plan view thereof;

FIG. 6 is a rear view thereof;

FIG. 7 is a perspective front view thereof;

FIG. 8 is a perspective rear view thereof;

FIG. 9 is a front view of the handset of FIGS. 1-8 with the handset in an in-use position;

FIG. 10 is a perspective front view of the handset of FIGS. 1-8 with the handset in an in-use position;

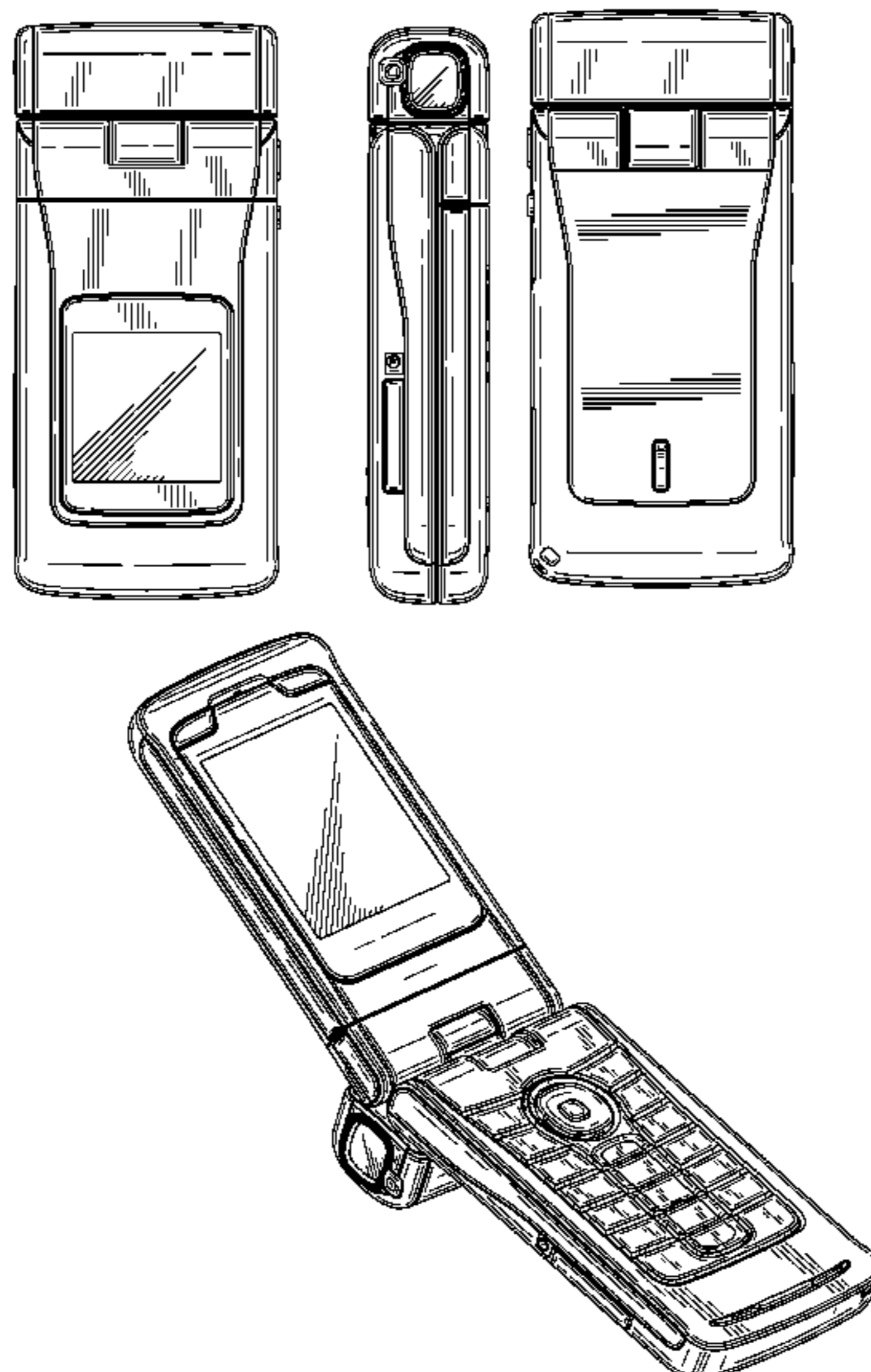
FIG. 11 is a perspective rear view of the handset of FIGS. 1-8 with the handset in an alternative in-use position;

FIG. 12 is a perspective front view of the handset of FIGS. 1-8 with the handset in an alternative in-use position;

FIG. 13 is a perspective view of the handset of FIGS. 1-8 with the handset in an alternative in-use position; and,

FIG. 14 is a perspective view of the handset of FIGS. 1-8 with the handset in an alternative in-use position.

1 Claim, 8 Drawing Sheets



US D555,614 S

Page 2

U.S. PATENT DOCUMENTS

D491,907 S *	6/2004	Ogawa	D14/138	D526,314 S	8/2006	Kim	
D496,016 S *	9/2004	Hoo	D14/138	7,127,277 B2 *	10/2006	Shiue et al.	455/575.3
D500,749 S	1/2005	Kim		D535,960 S *	1/2007	Kim et al.	D14/138
D501,455 S *	2/2005	Hunt et al.	D14/138	D537,426 S *	2/2007	Arbisi	D14/138
D508,475 S *	8/2005	Wu et al.	D14/138	D538,772 S *	3/2007	Cha et al.	D14/138
D508,902 S *	8/2005	Lee et al.	D14/138	D540,767 S *	4/2007	Kim et al.	D14/138
D509,816 S *	9/2005	Kim et al.	D14/138	D540,770 S *	4/2007	Park et al.	D14/138
D512,975 S *	12/2005	Tsai et al.	D14/138	D542,253 S *	5/2007	Hwang	D14/138
D515,078 S	2/2006	Kim		D543,198 S *	5/2007	Hering	D14/247
D518,812 S *	4/2006	Kim et al.	D14/138	7,212,845 B2 *	5/2007	Ikeuchi	455/575.3
D519,966 S *	5/2006	Salmi et al.	D14/138	2005/0090296 A1 *	4/2005	Gordecki	455/575.3
D519,971 S *	5/2006	Morita et al.	D14/138	2005/0153753 A1 *	7/2005	Cheng	455/575.3
D519,972 S *	5/2006	Chung et al.	D14/138	2006/0089182 A1 *	4/2006	Gartrell	455/575.3
D521,968 S *	5/2006	Jung et al.	D14/138	2006/0105806 A1 *	5/2006	Vance et al.	455/556.1
7,050,293 B2 *	5/2006	Arbisi et al.	361/681	2006/0111146 A1 *	5/2006	Kim	455/557
D523,836 S *	6/2006	Park	D14/138	2006/0148542 A1 *	7/2006	Oliver	455/575.3
7,058,433 B2 *	6/2006	Carpenter	455/575.1				

* cited by examiner

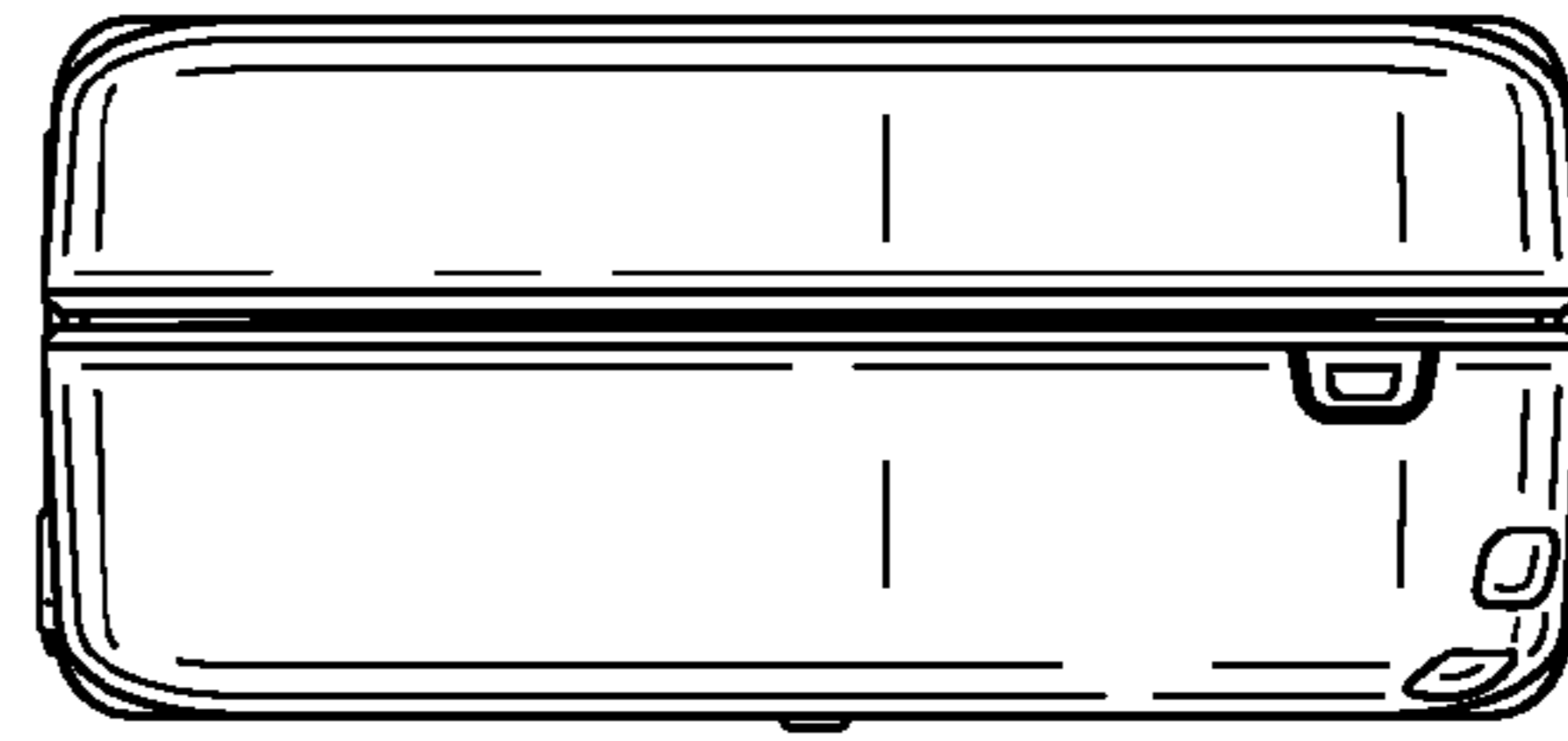


FIG. 1

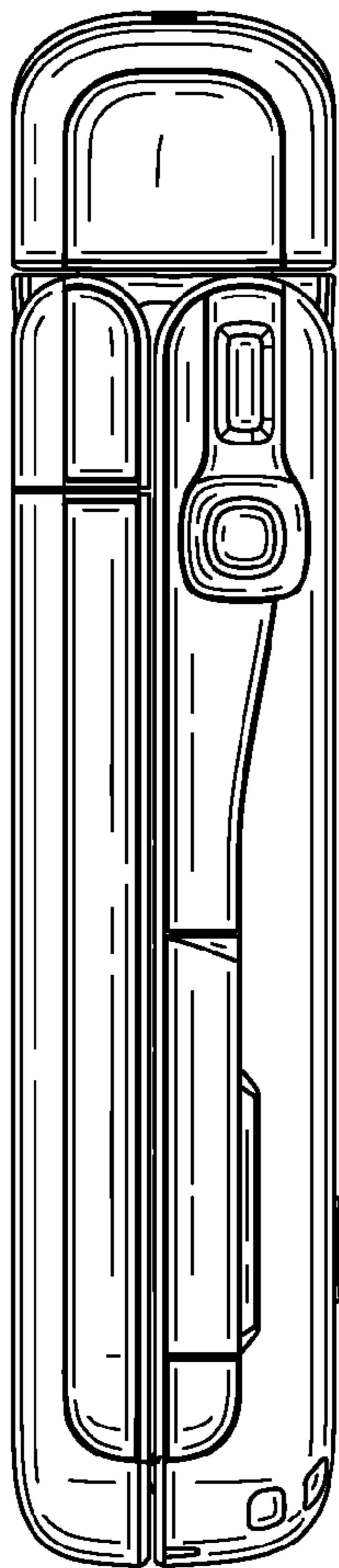


FIG. 2

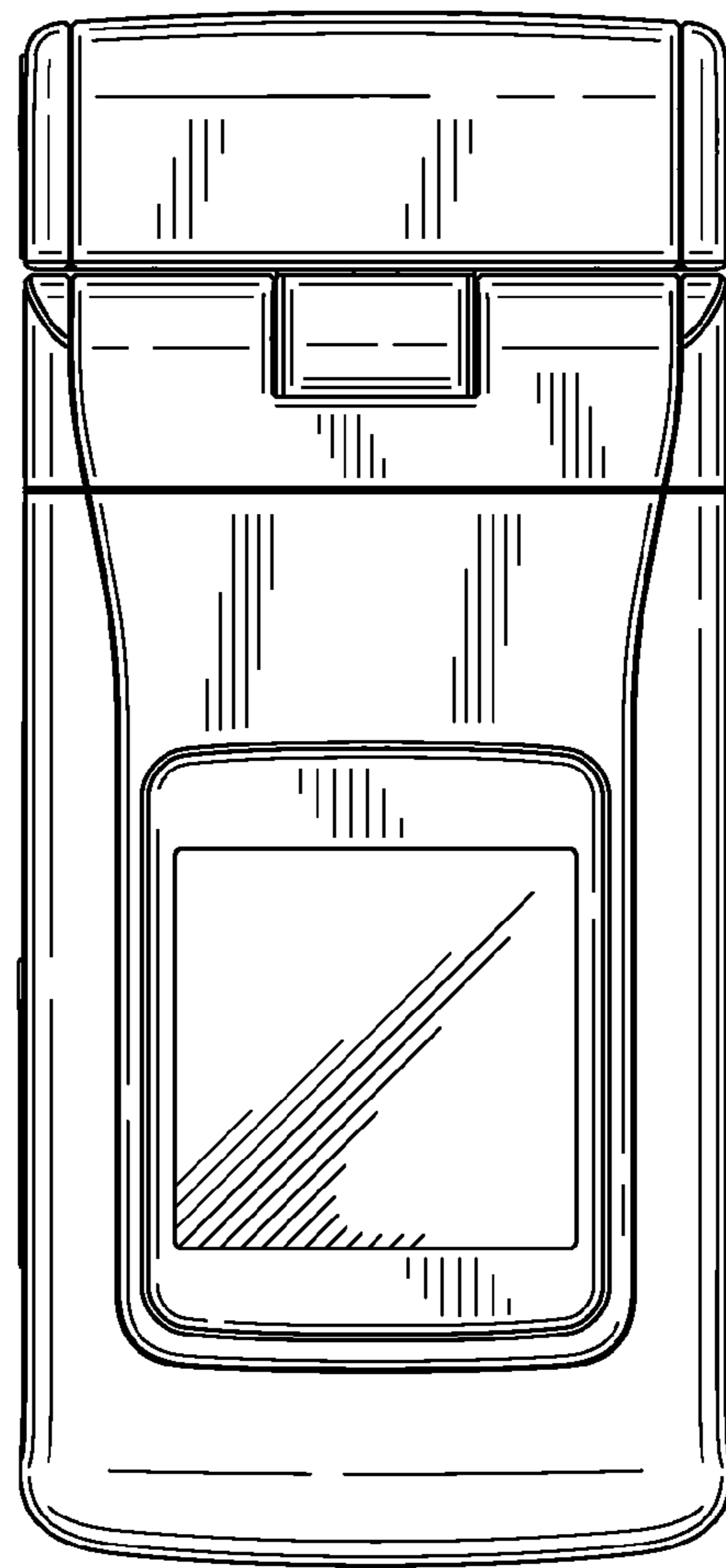


FIG. 3

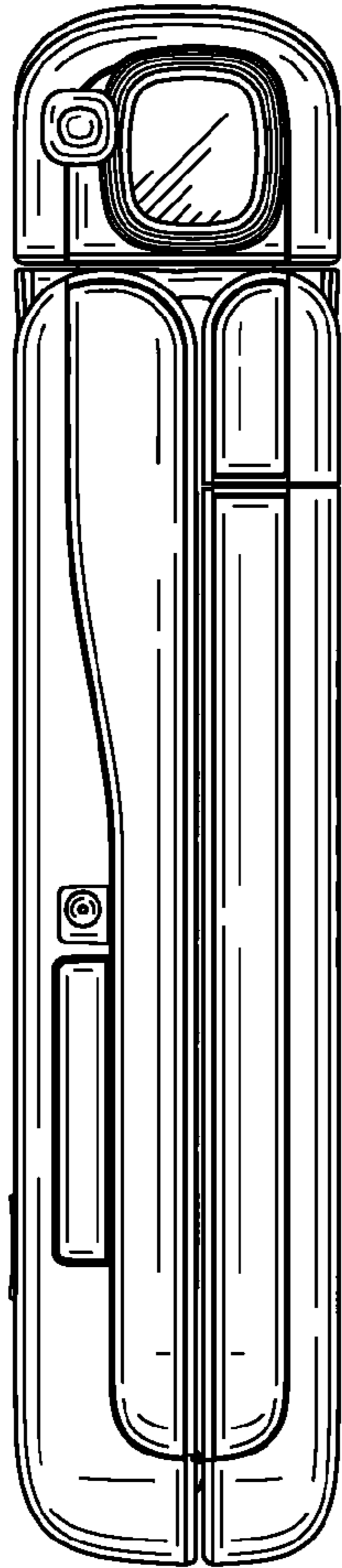


FIG. 4

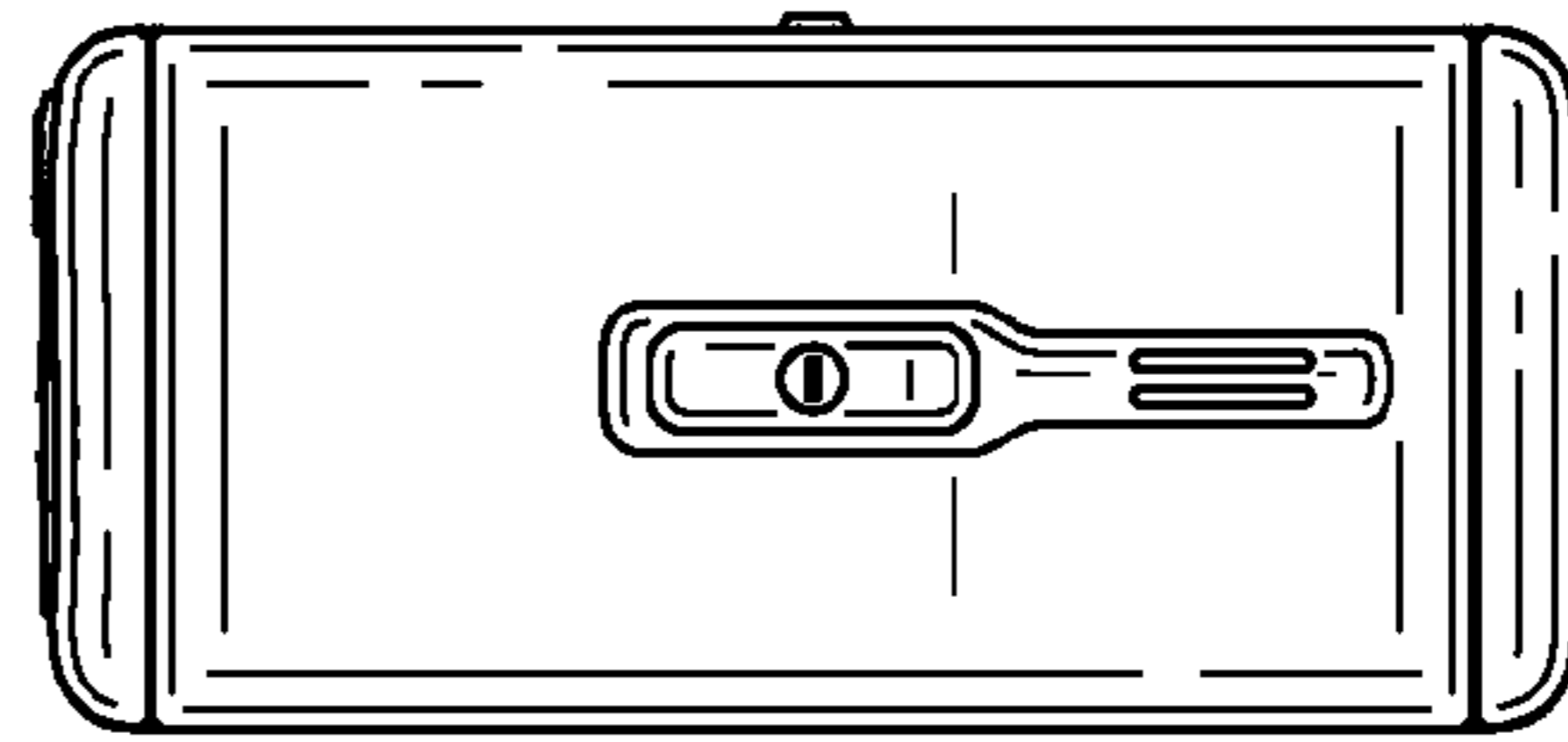


FIG. 5

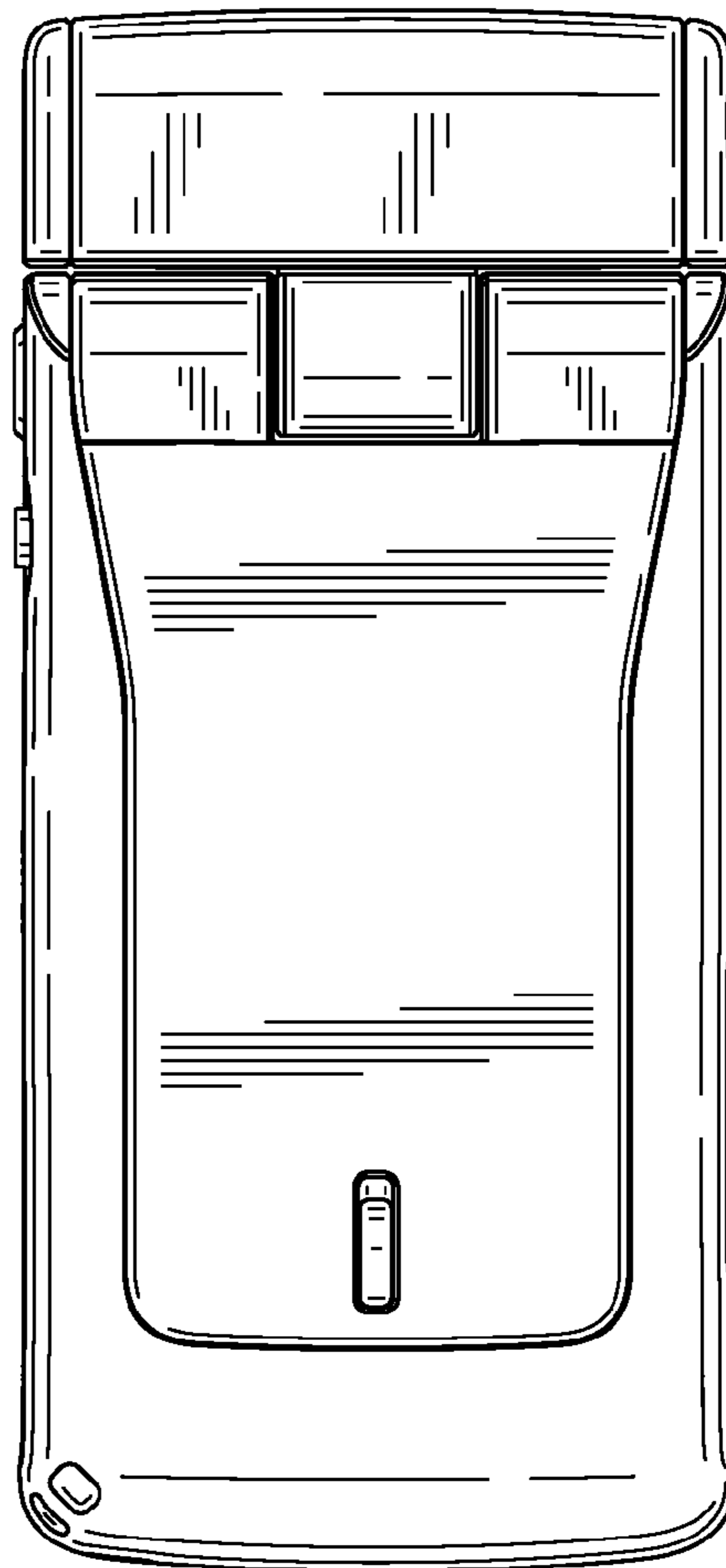


FIG. 6

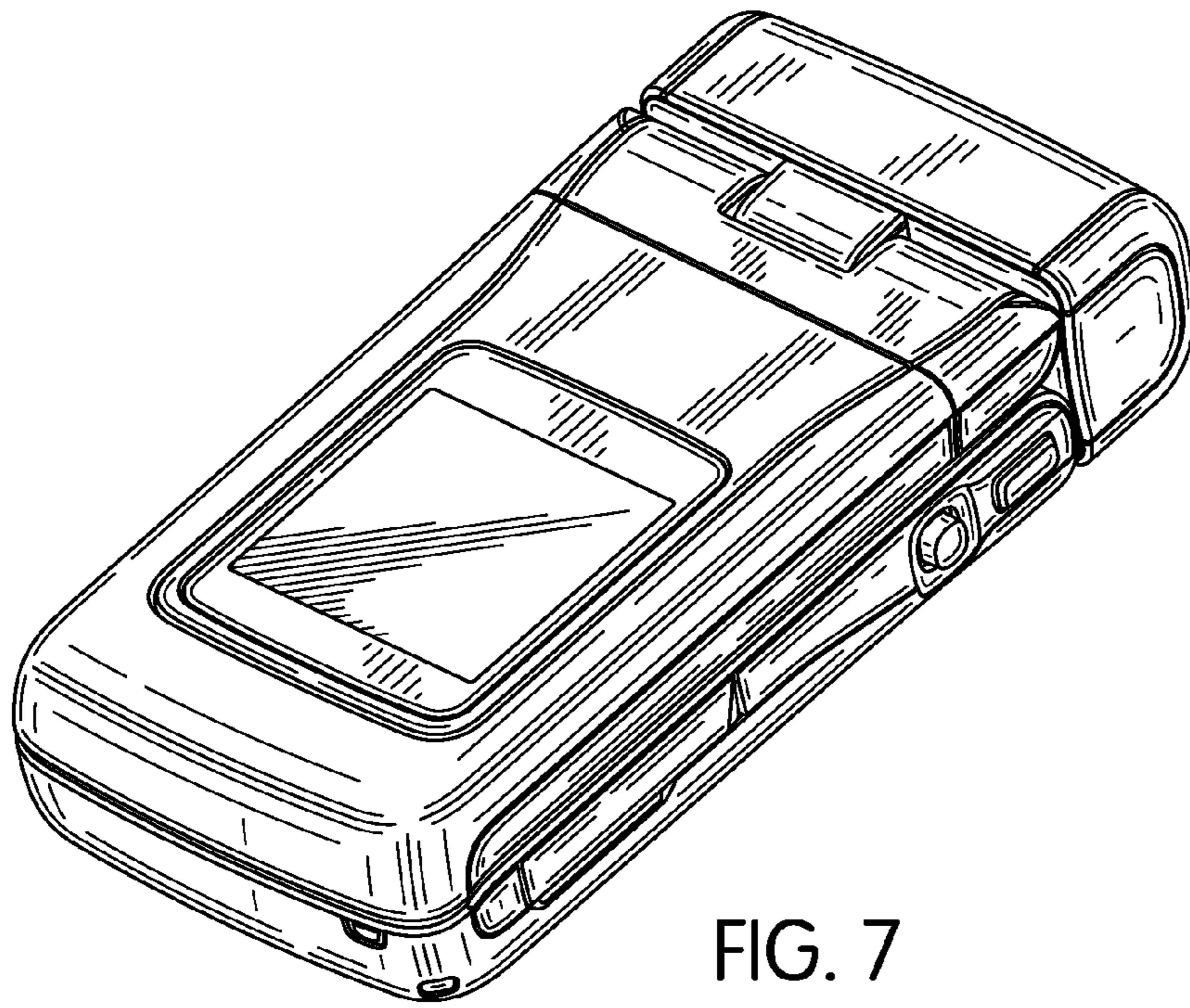


FIG. 7

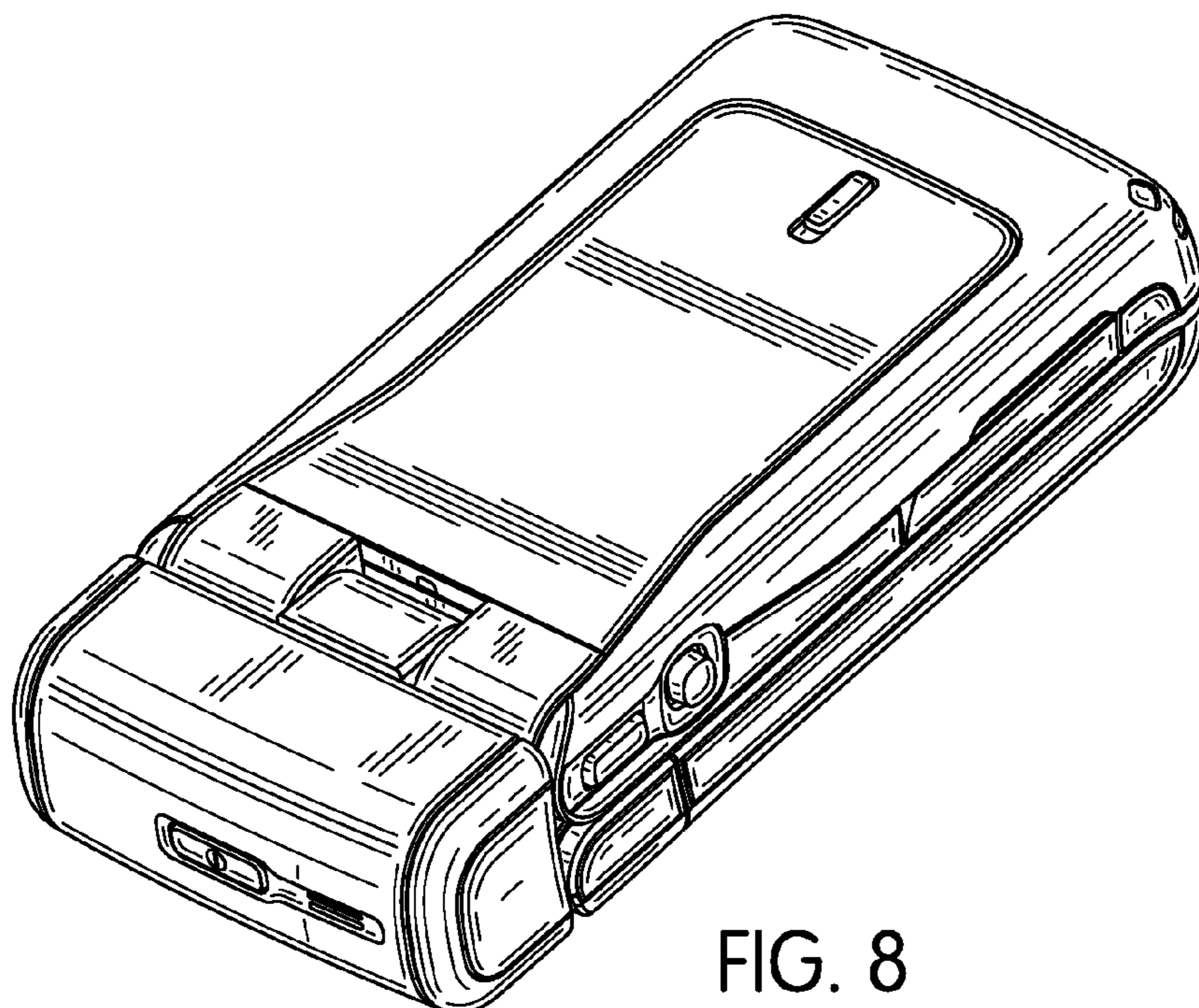


FIG. 8

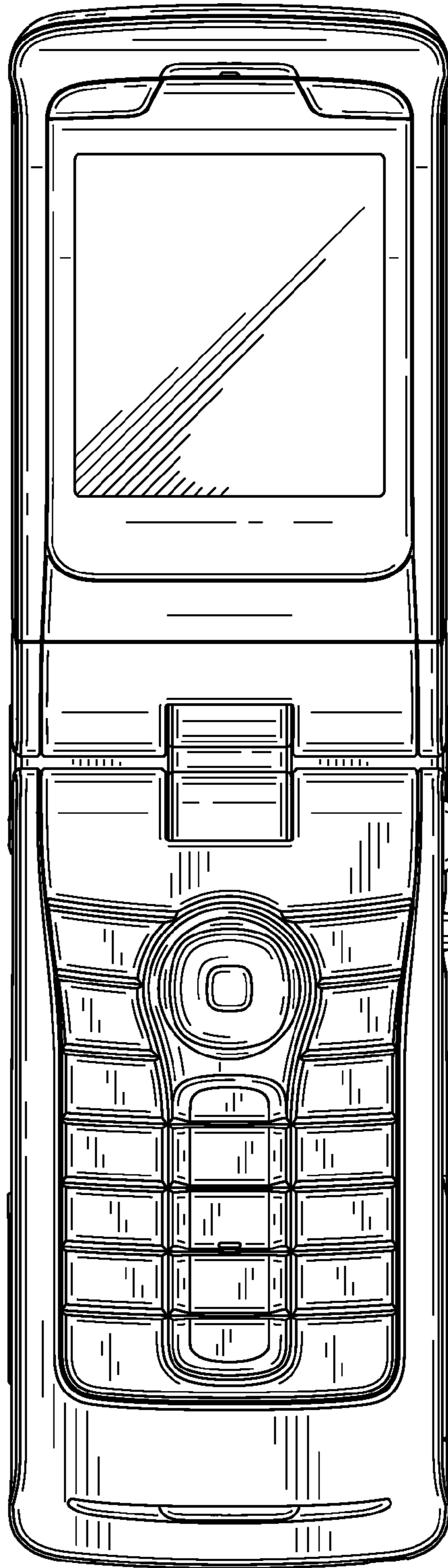


FIG. 9



FIG. 10

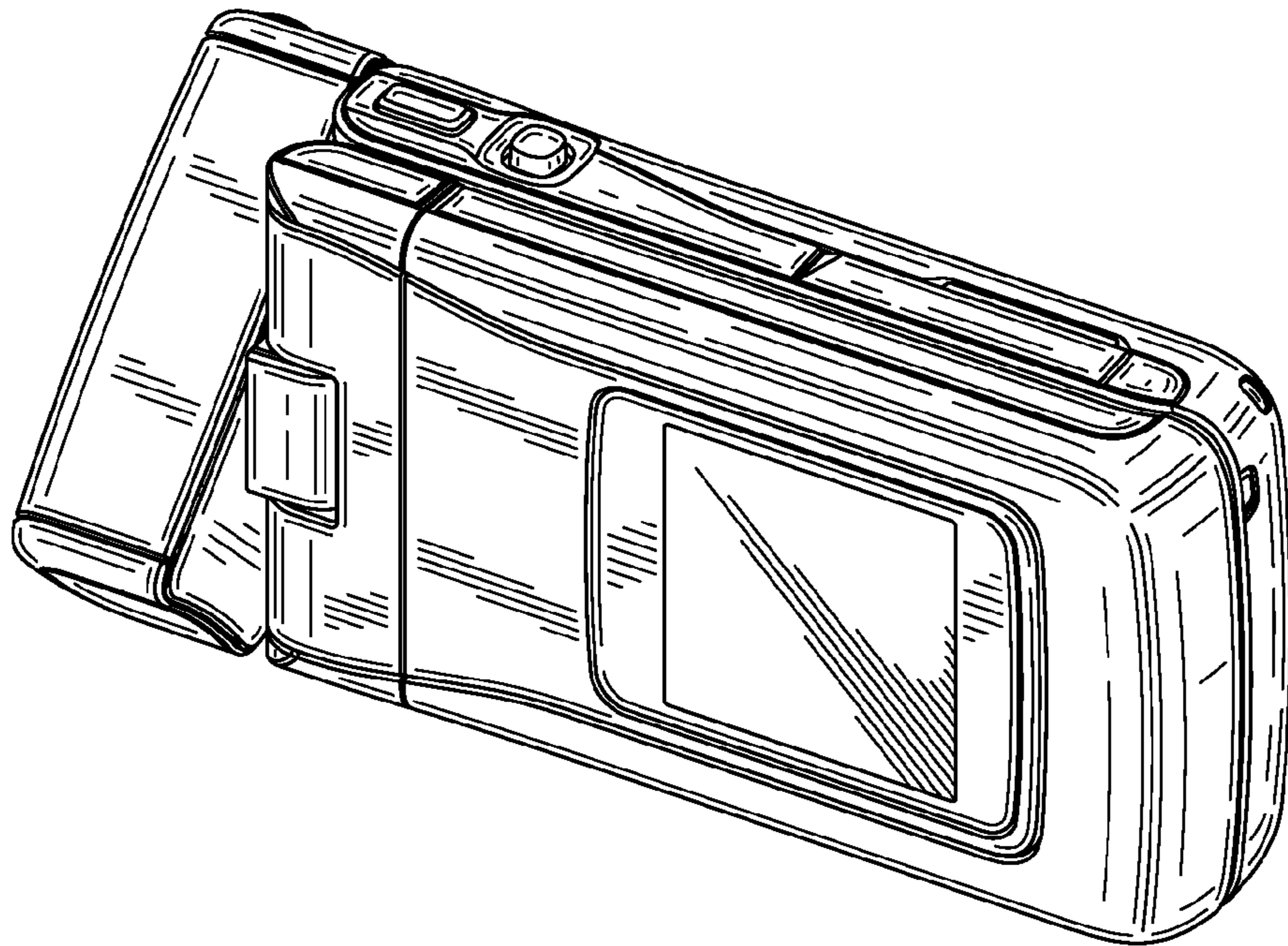


FIG. 11

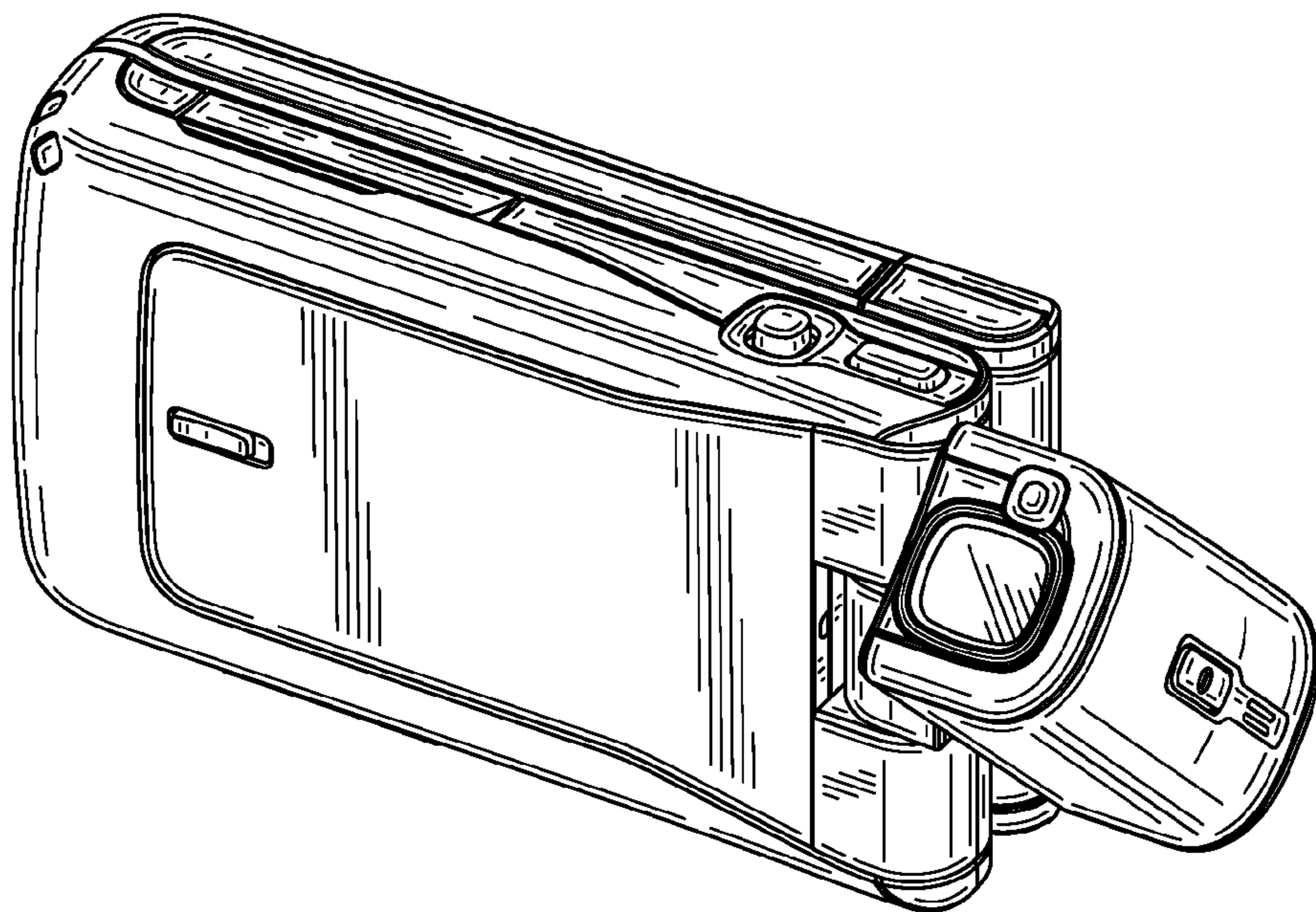


FIG. 12

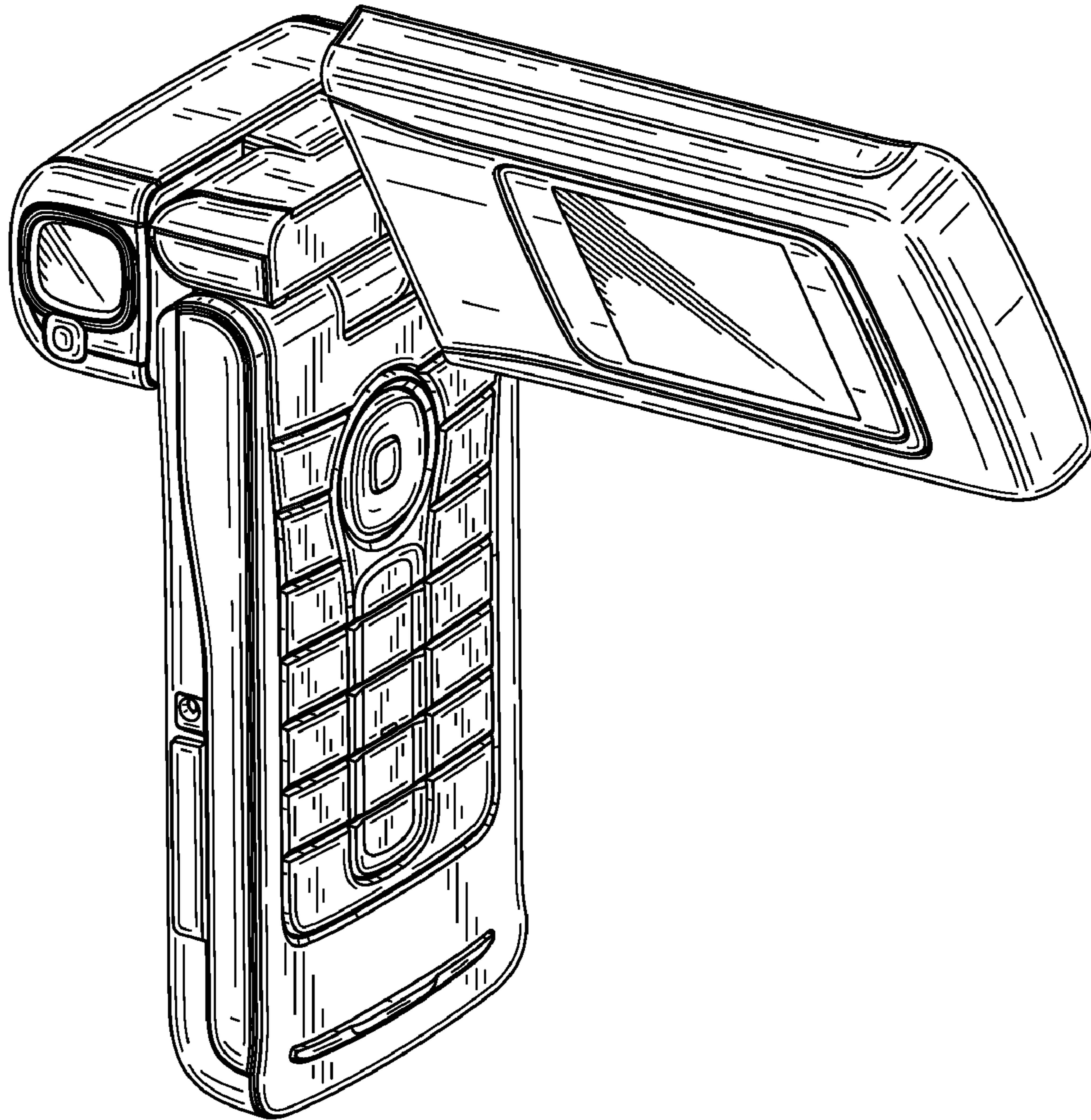


FIG. 13

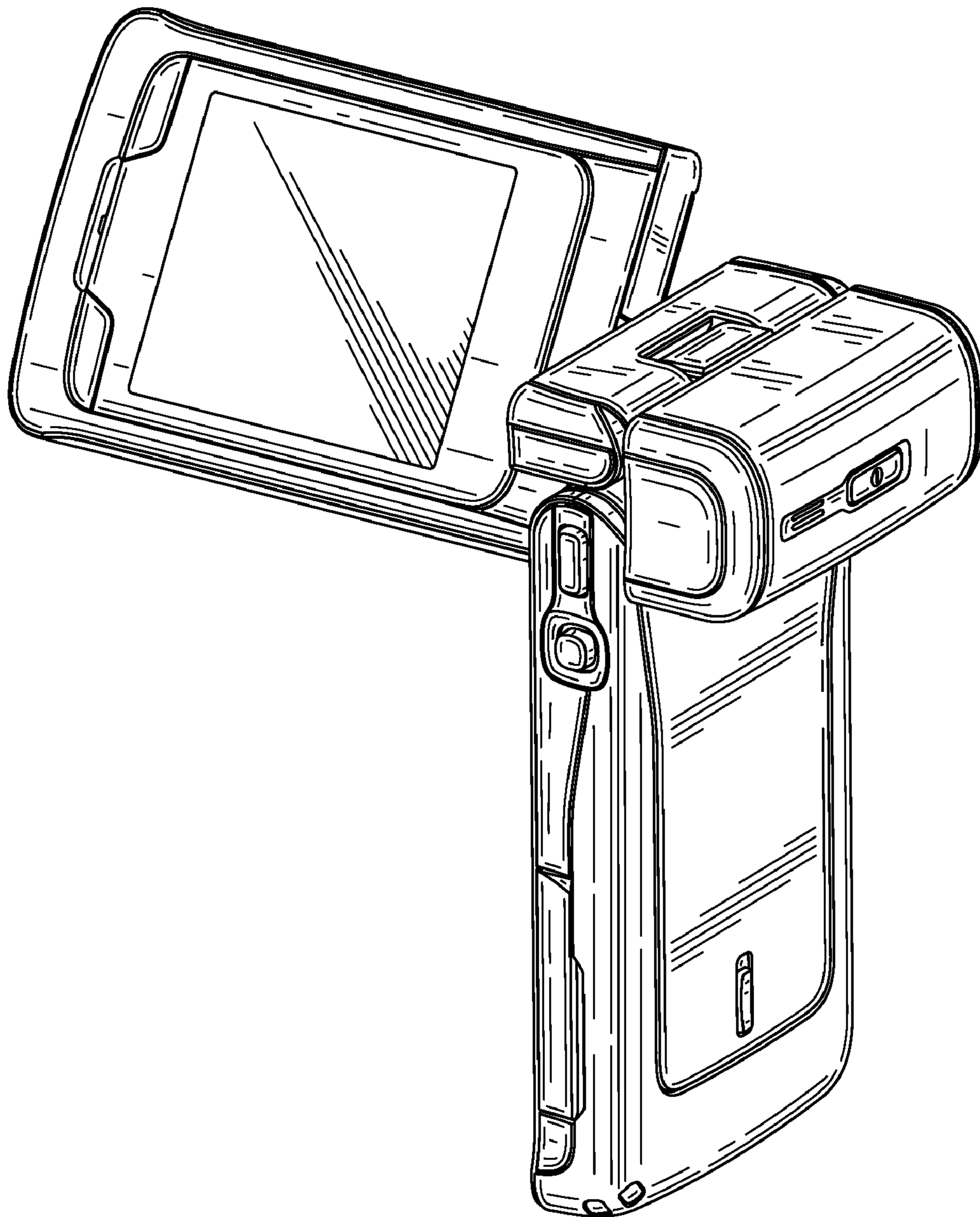


FIG. 14