



US00D555612S

(12) **United States Design Patent**
Sukenari et al.

(10) **Patent No.:** **US D555,612 S**

(45) **Date of Patent:** **** Nov. 20, 2007**

(54) **MONITOR TELEVISION**

(75) Inventors: **Kazuhiro Sukenari**, Nagoya (JP);
Yoshihiko Araya, Kariya (JP); **Tetsuro Kato**, Nagoya (JP)

(73) Assignee: **Elmo Co., Ltd.**, Aichi (JP)

(**) Term: **14 Years**

(21) Appl. No.: **29/258,720**

(22) Filed: **Apr. 26, 2006**

(30) **Foreign Application Priority Data**

Dec. 27, 2005 (JP) 2005-038248

(51) **LOC (8) Cl.** **14-03**

(52) **U.S. Cl.** **D14/126**

(58) **Field of Classification Search** D14/125-134,
D14/239, 371, 136, 374-377; 312/7.2; 348/836,
348/838, 180, 184, 325, 739; 341/12; 248/917-924,
248/465; 345/104, 133, 156, 168, 87, 173;
720/605, 669, 600, 655; 369/99, 197; 455/344-347
See application file for complete search history.

(56) **References Cited**

U.S. PATENT DOCUMENTS

D460,759 S * 7/2002 West et al. D14/374
D495,710 S * 9/2004 Hoehn D14/375

6,937,464 B2 * 8/2005 Adams et al. 361/681
D521,956 S * 5/2006 Backs D14/126
D527,356 S * 8/2006 Hoehn D14/126

FOREIGN PATENT DOCUMENTS

JP 1207571 4/2004

* cited by examiner

Primary Examiner—Raphael Barkai

(74) *Attorney, Agent, or Firm*—Koda & Androlia

(57) **CLAIM**

The ornamental design for a monitor television, as shown and described.

DESCRIPTION

FIG. 1 is a front elevational view of the monitor television showing our new design;

FIG. 2 is a rear elevational view thereof;

FIG. 3 is a top plan view thereof;

FIG. 4 is a bottom plan view thereof;

FIG. 5 is a right side elevational view thereof;

FIG. 6 is a left side elevational view thereof; and,

FIG. 7 is a perspective view taken from the front, top and right side of the monitor television.

1 Claim, 7 Drawing Sheets

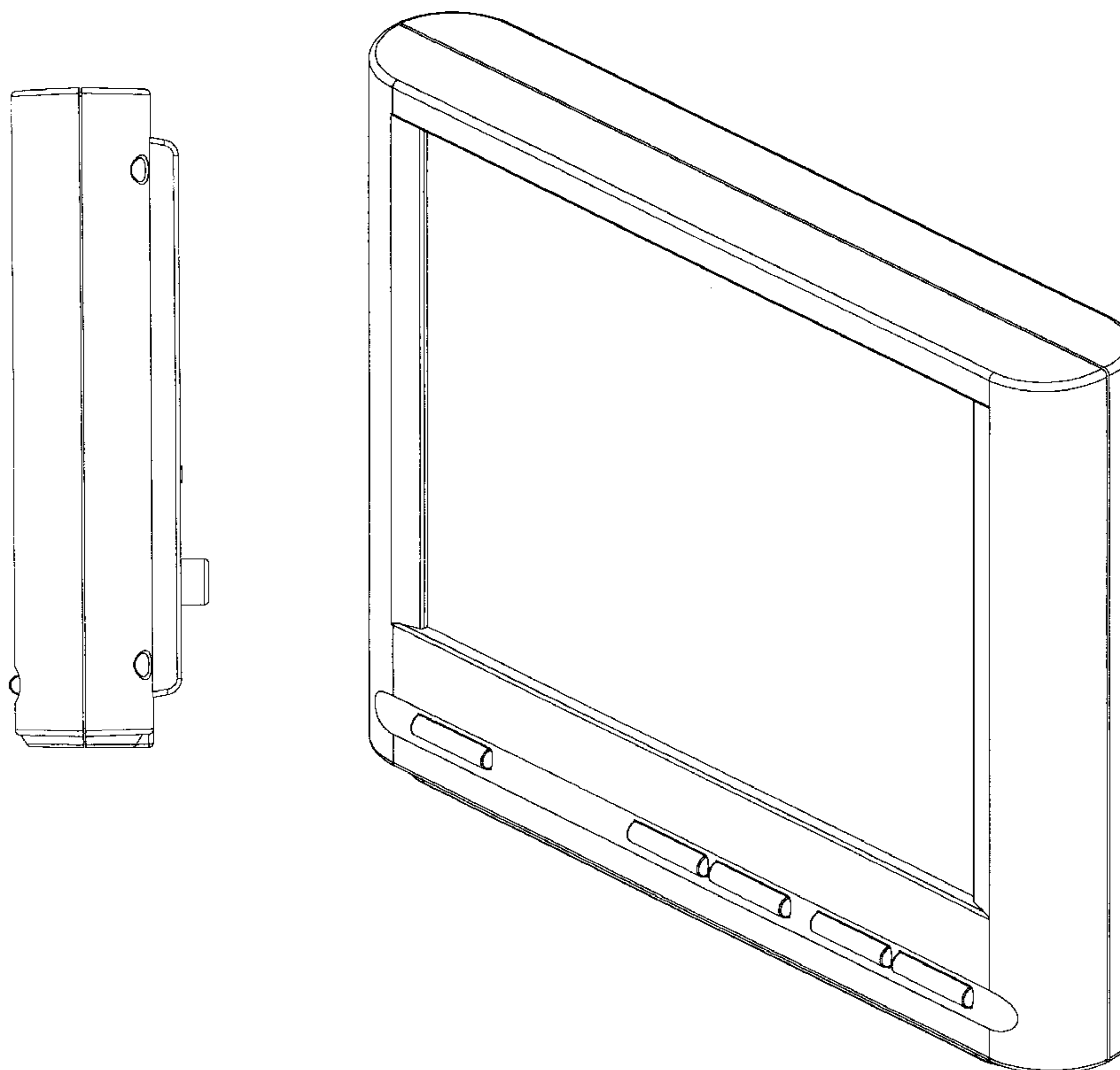


FIG. 1

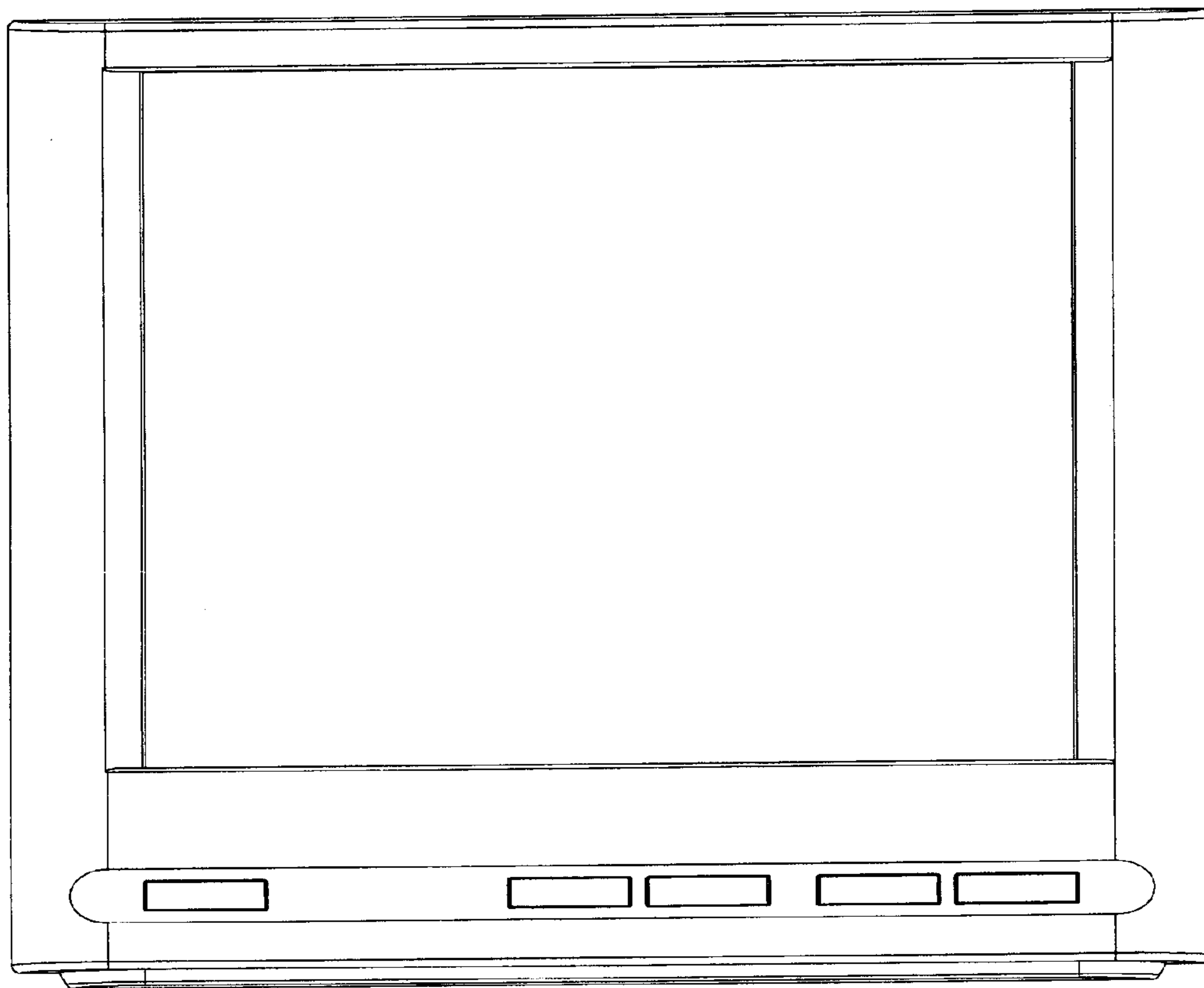


FIG. 2

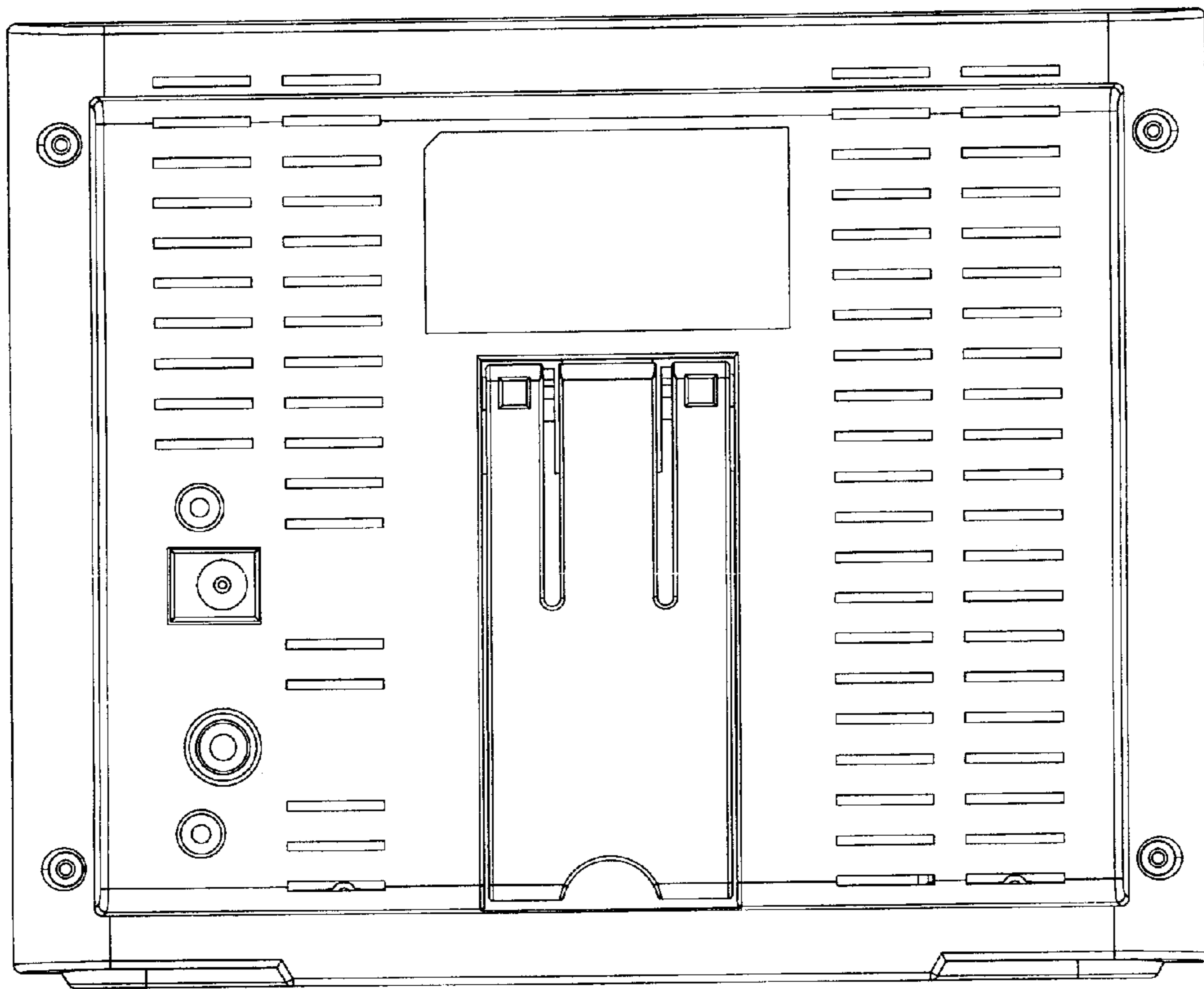


FIG. 3

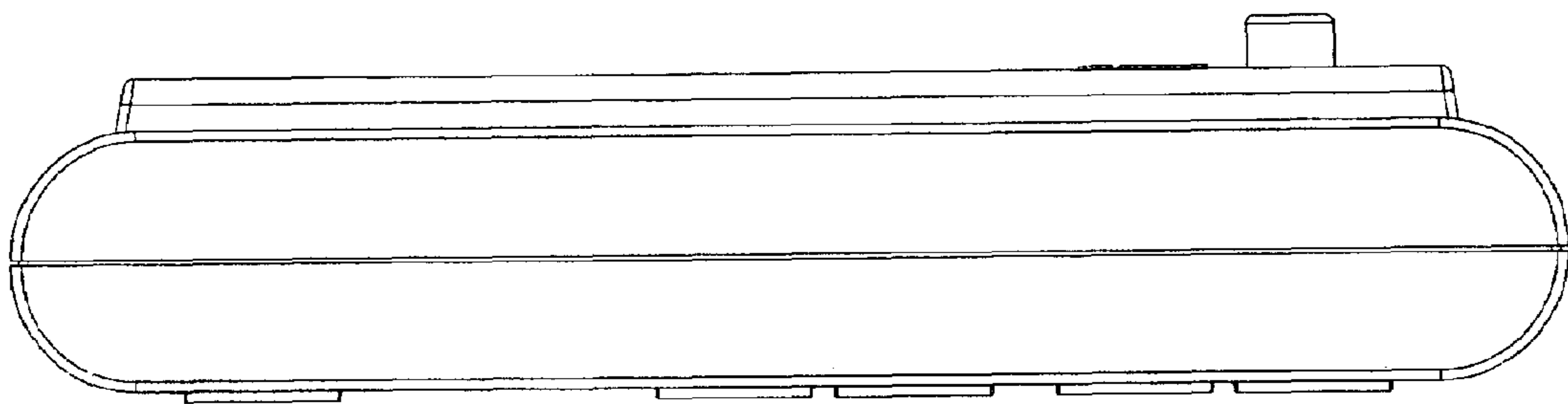


FIG. 4

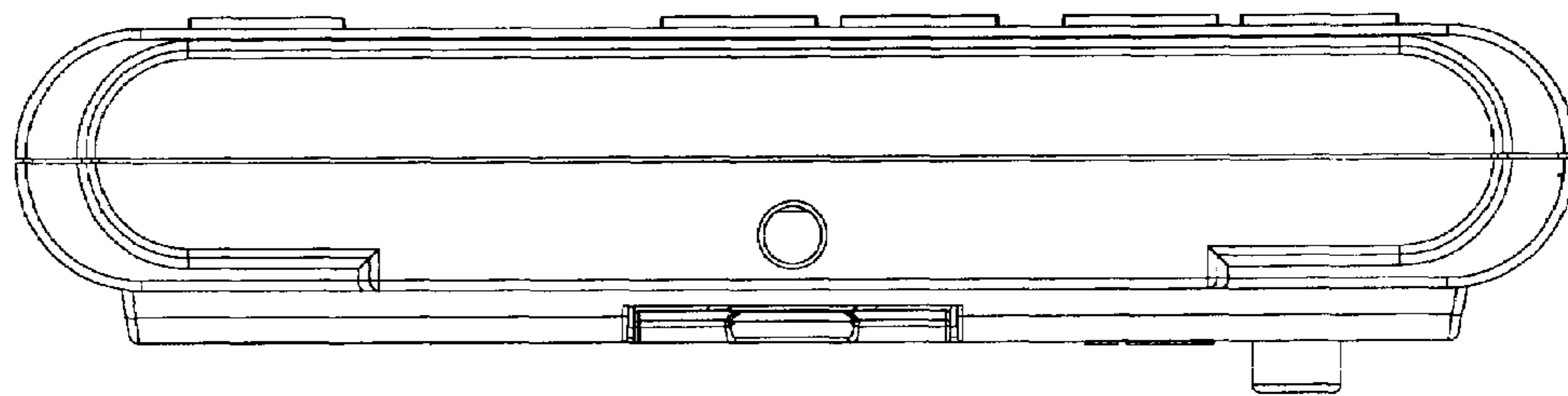


FIG. 5

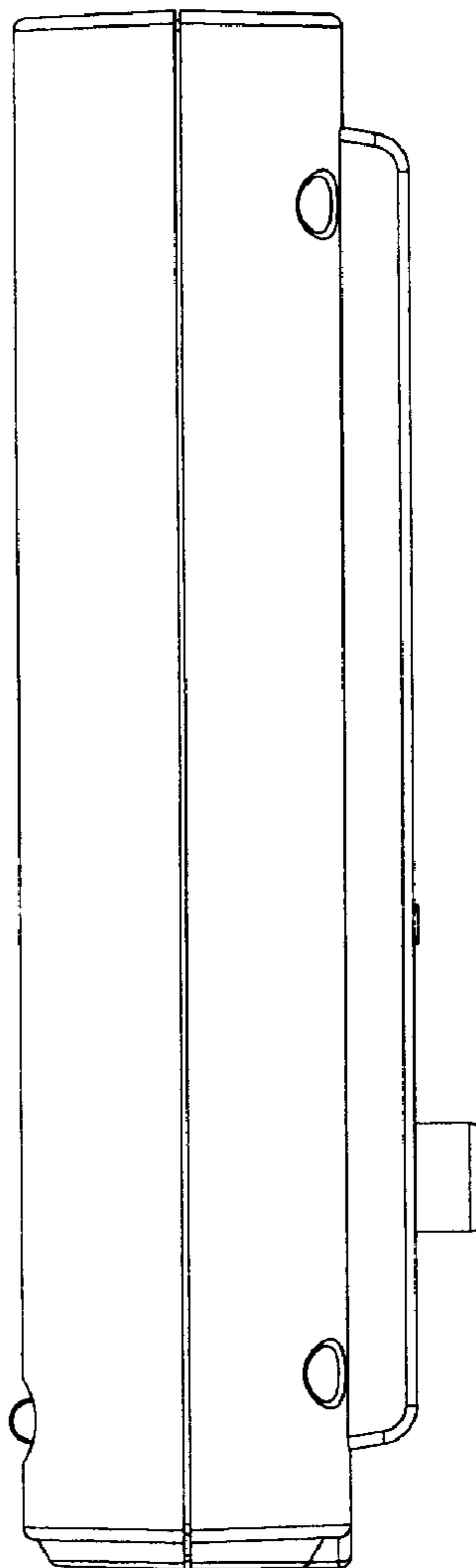


FIG. 6

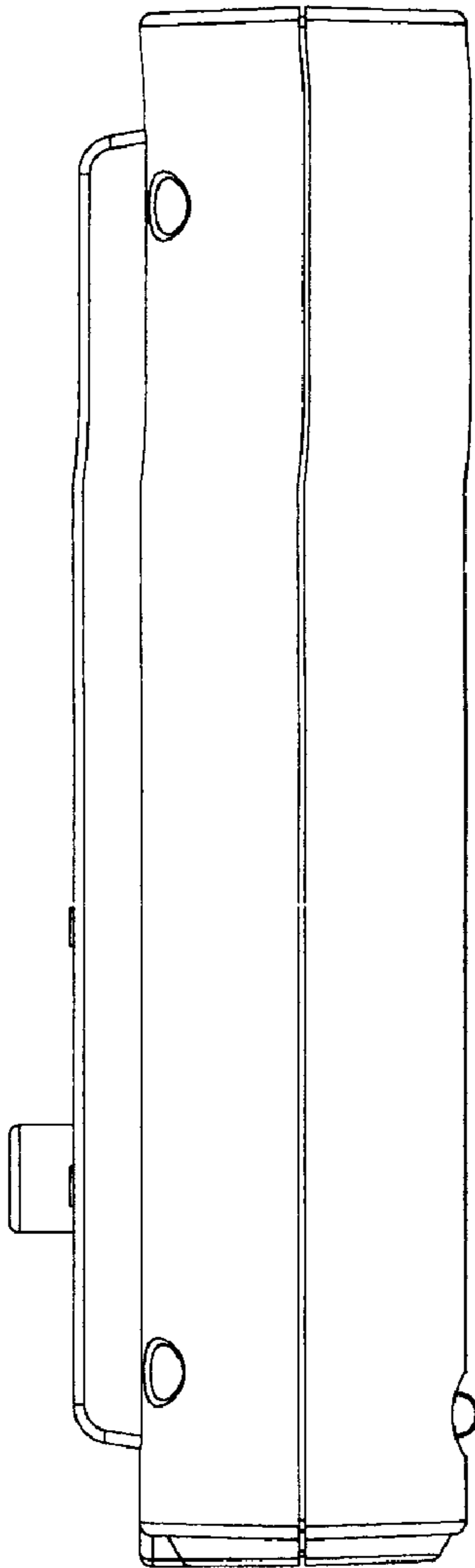


FIG. 7

