



US00D555610S

(12) **United States Design Patent**  
**Yang et al.**

(10) **Patent No.:** **US D555,610 S**

(45) **Date of Patent:** **\*\* Nov. 20, 2007**

(54) **PDP TV RECEIVER**

(76) Inventors: **Jun Ho Yang**, #1001, 504 Jeongdeun Maeul Sinhwa 5-danji Apt., Jeongja-dong, Bundang-gu, Sungnam-si, Kyunggi-do (KR); **Baek-ki Kim**, 322-27 5/7, Buam-dong, Chongro-gu, Seoul (KR)

(\*\*) Term: **14 Years**

(21) Appl. No.: **29/239,354**

(22) Filed: **Sep. 29, 2005**

(30) **Foreign Application Priority Data**

Jul. 15, 2005 (KR) ..... 30-2005-0023789

(51) **LOC (8) Cl.** ..... **14-03**

(52) **U.S. Cl.** ..... **D14/126; D14/129**

(58) **Field of Classification Search** ..... D14/125-134, D14/239, 371, 136, 374-377; 312/7.2; 348/836, 348/838, 180, 184, 325, 739; 341/12; 248/917-924, 248/465; 345/104, 133, 156, 168, 87, 173; 720/605, 669, 600, 655; 369/99, 197; 455/344-347  
See application file for complete search history.

(56) **References Cited**

**U.S. PATENT DOCUMENTS**

D499,386 S	*	12/2004	Yang	.....	D14/126
D510,919 S	*	10/2005	Kubota et al.	.....	D14/126
D534,137 S	*	12/2006	Izumi	.....	D14/126
D534,139 S	*	12/2006	Yokota	.....	D14/126
D543,163 S	*	5/2007	Yang et al.	.....	D14/126
D543,164 S	*	5/2007	Yang et al.	.....	D14/126

\* cited by examiner

*Primary Examiner*—Raphael Barkai

(74) *Attorney, Agent, or Firm*—Irving Keschner

(57) **CLAIM**

The ornamental design for PDP TV receiver, as shown and described.

**DESCRIPTION**

FIG. 1 is a perspective view of the ornamental design of the present invention;

FIG. 2 is a front elevational view of the ornamental design of the present invention;

FIG. 3 is a rear elevational view of the ornamental design of the present invention;

FIG. 4 is a left side elevational view of the ornamental design of the present invention;

FIG. 5 is a right side elevational view of the ornamental design of the present invention;

FIG. 6 is a top plan view of the ornamental design of the present invention;

FIG. 7 is a bottom view of the ornamental design of the present invention; and,

FIG. 8 illustrates the main body of the PDP TV receiver of the present invention separated from the support and utilized as a component in a audio/visual system.

The broken lines shown in FIG. 8 are for illustrative purposes only and form no part of the claimed design.

**1 Claim, 4 Drawing Sheets**

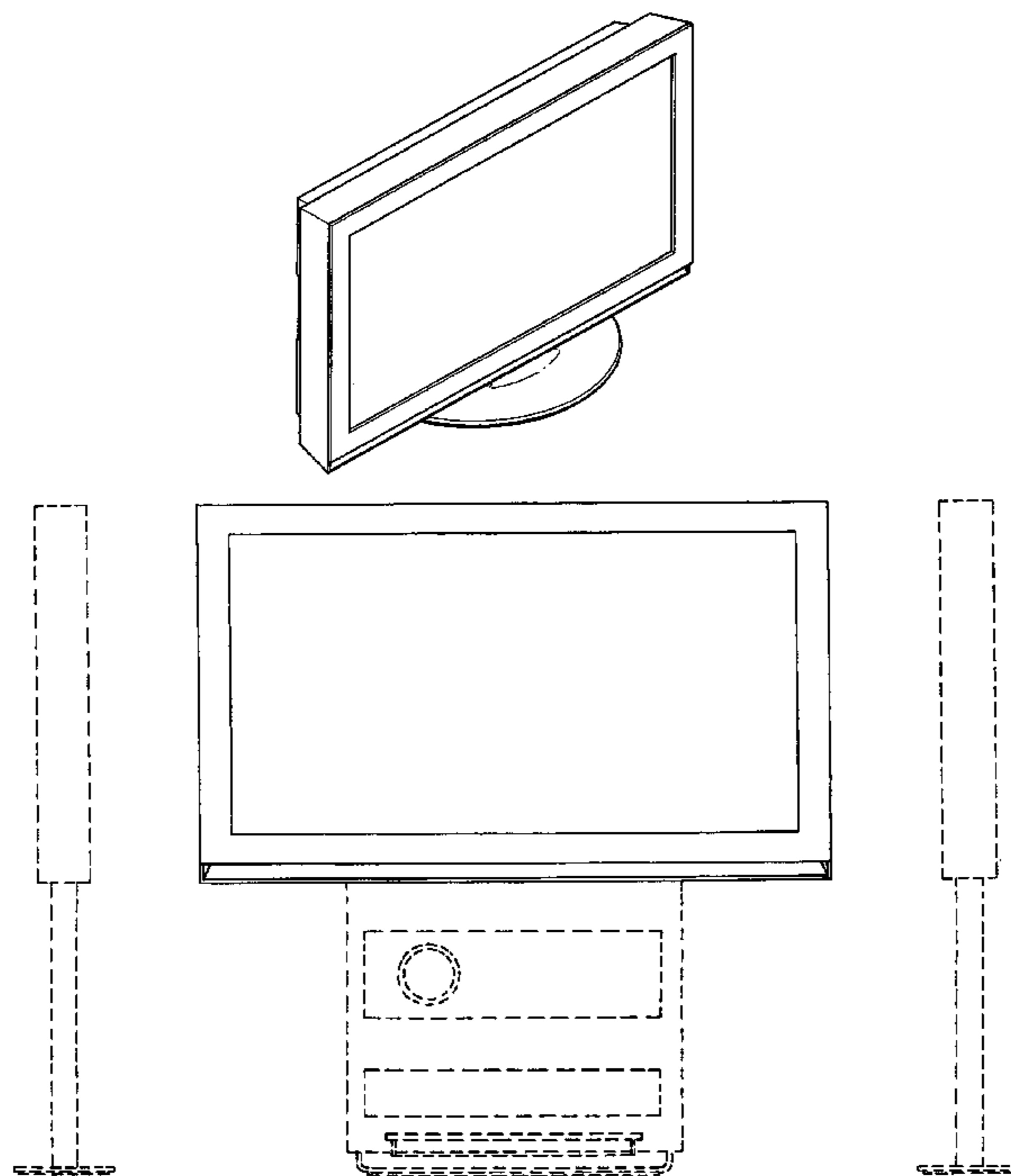


Fig. 1

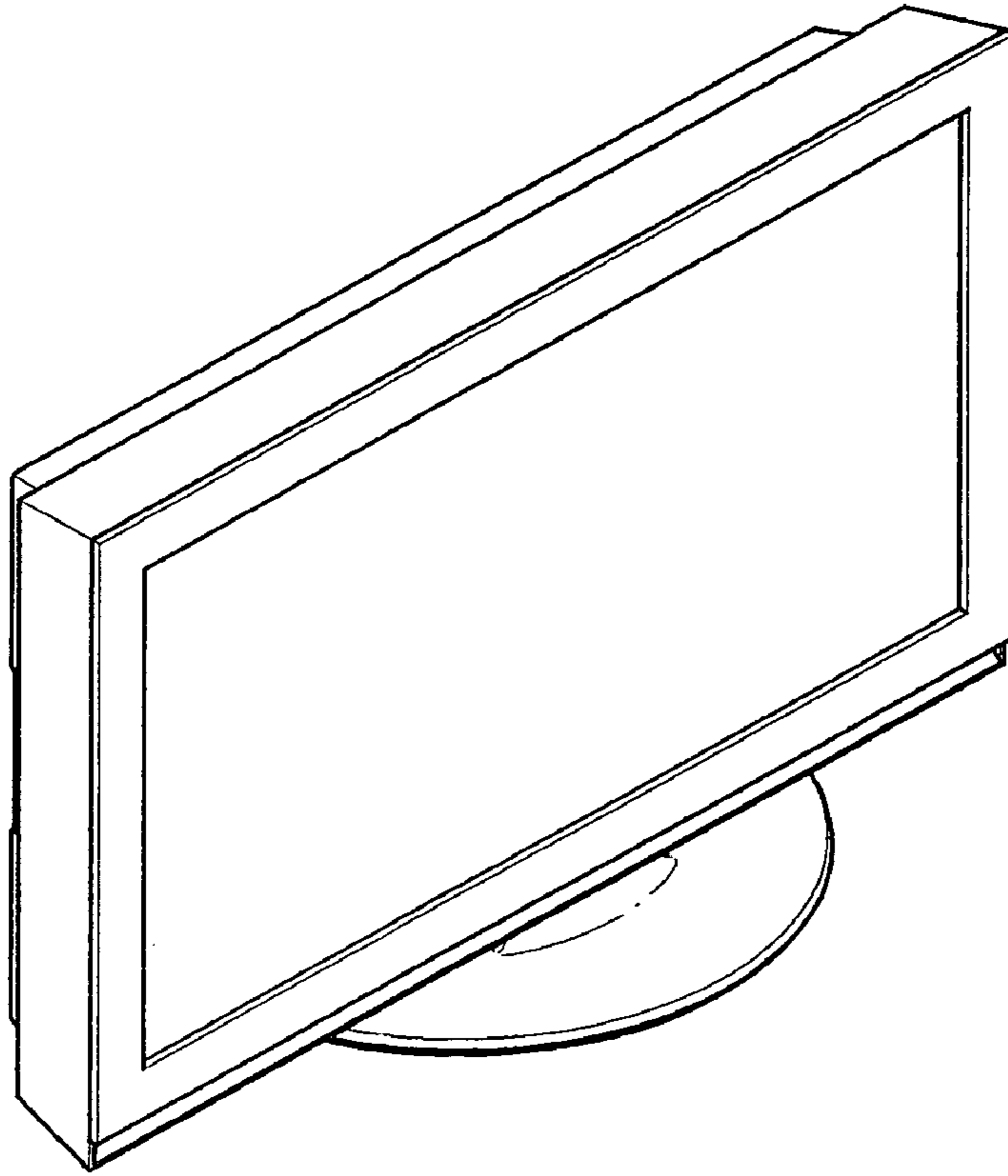


Fig. 2

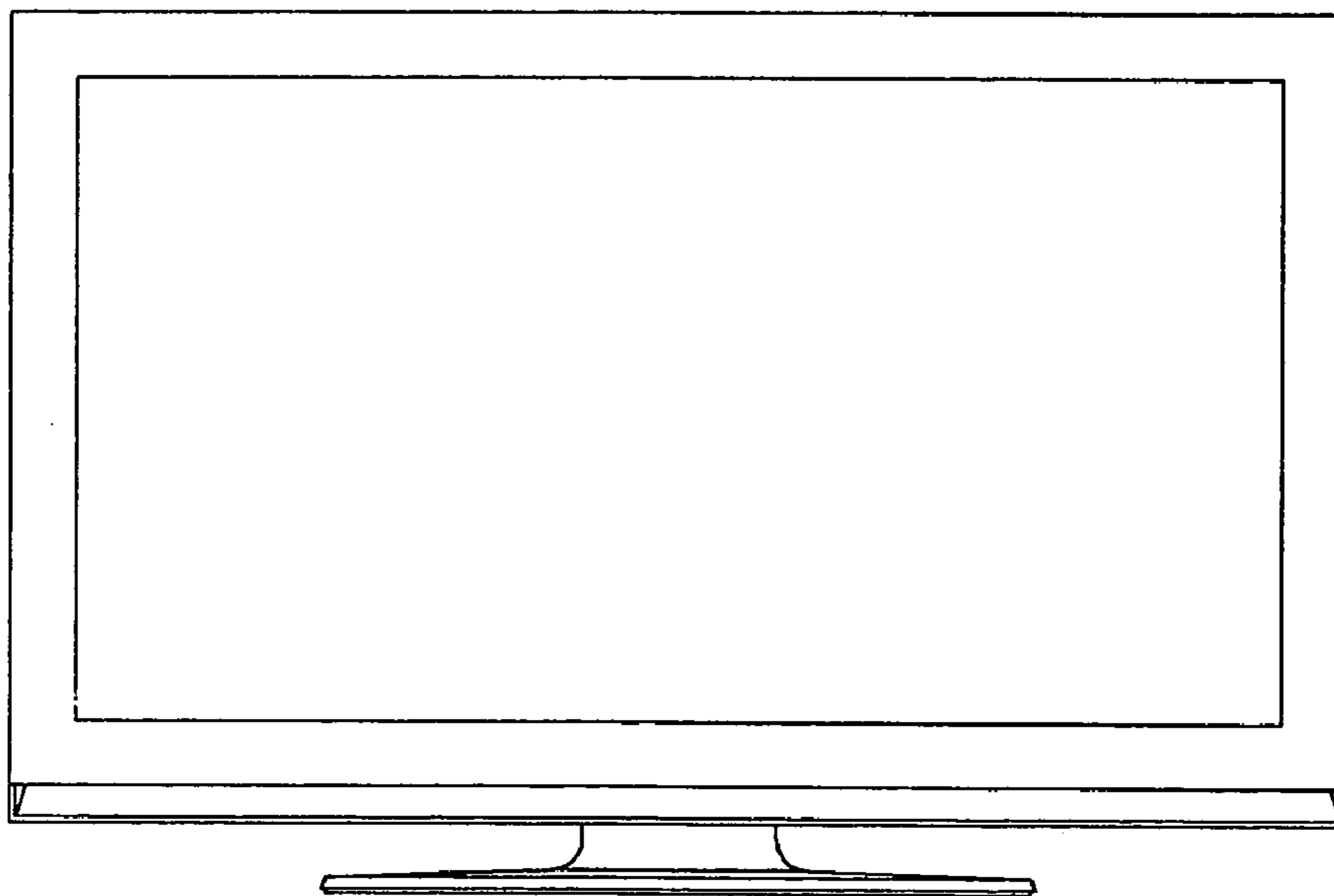


Fig. 3

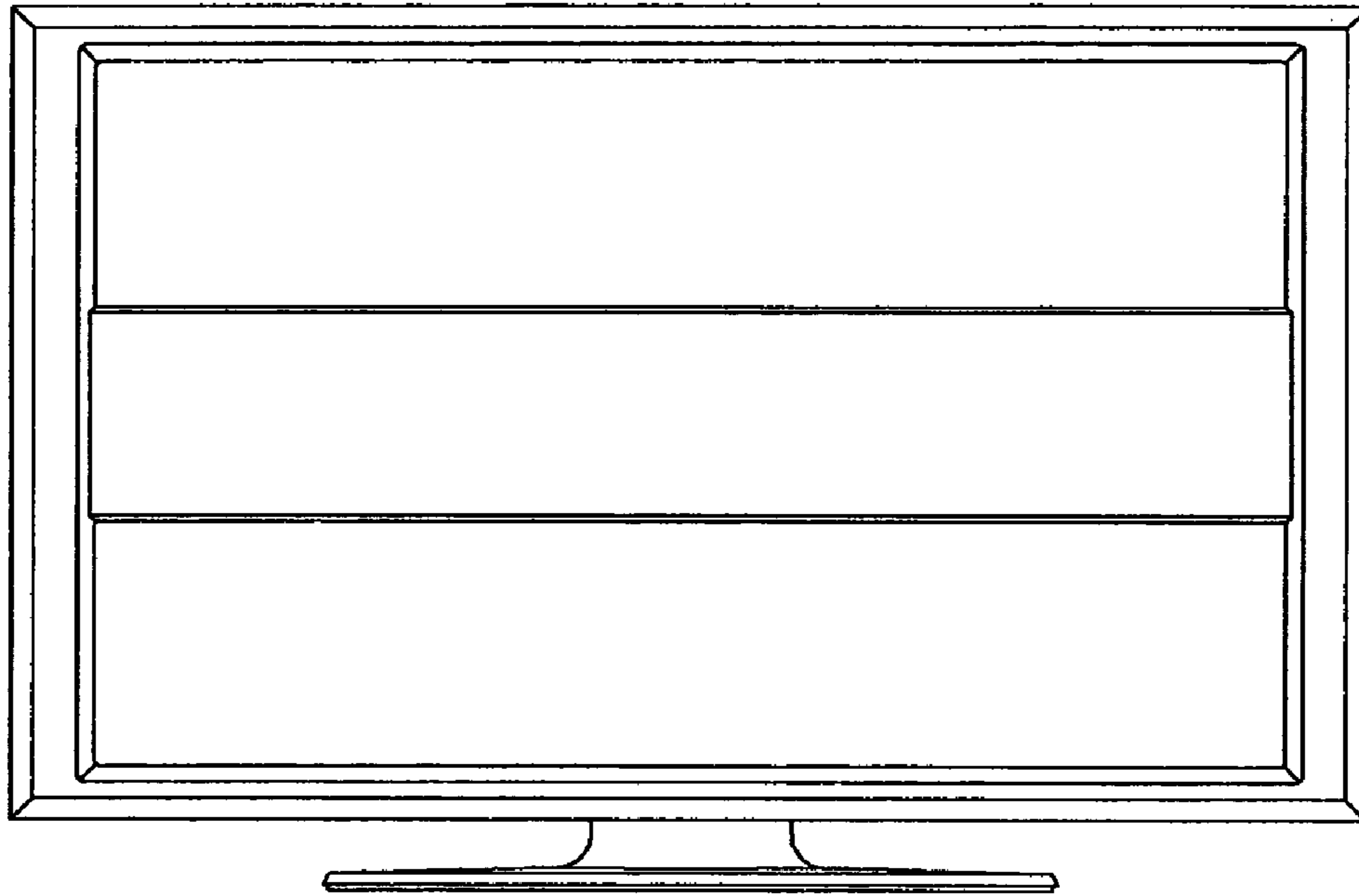


Fig. 4

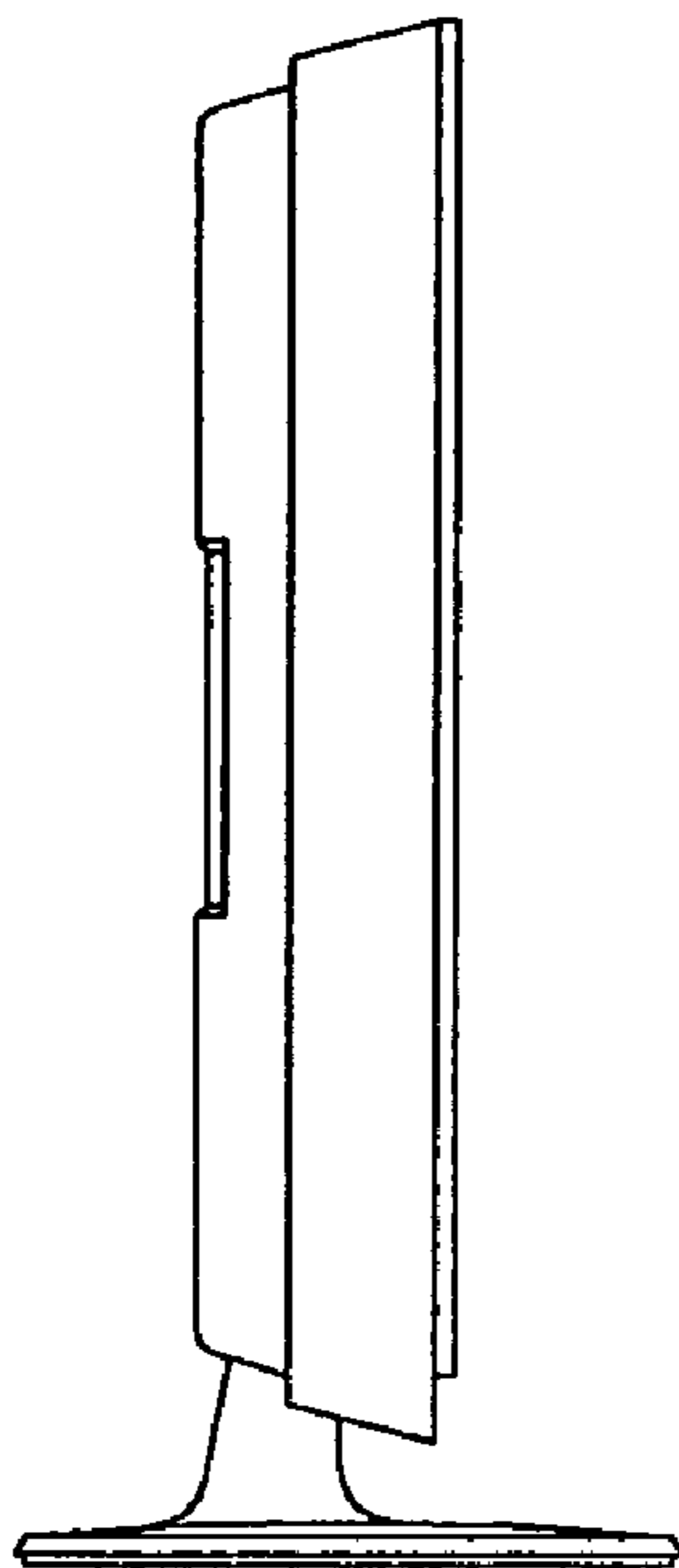


Fig. 5

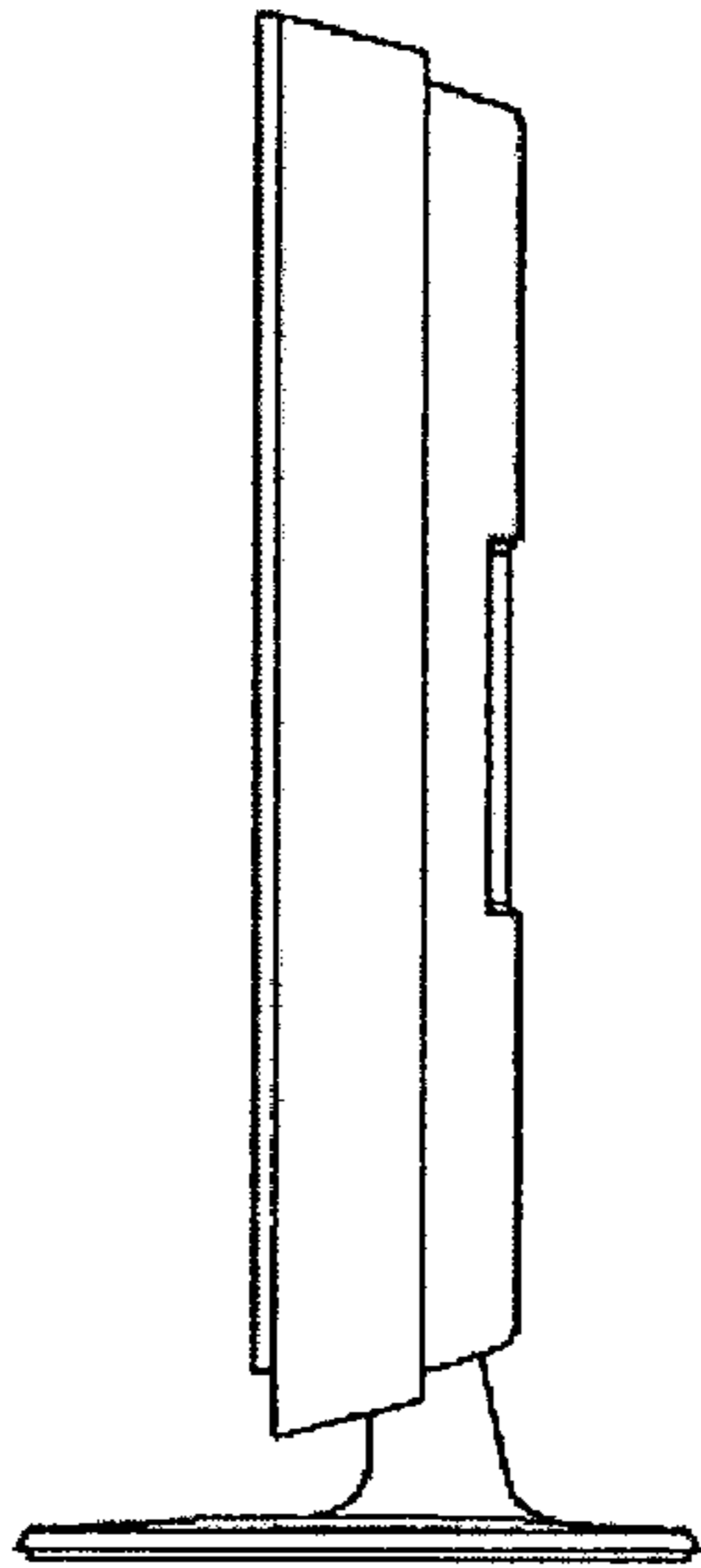


Fig. 6

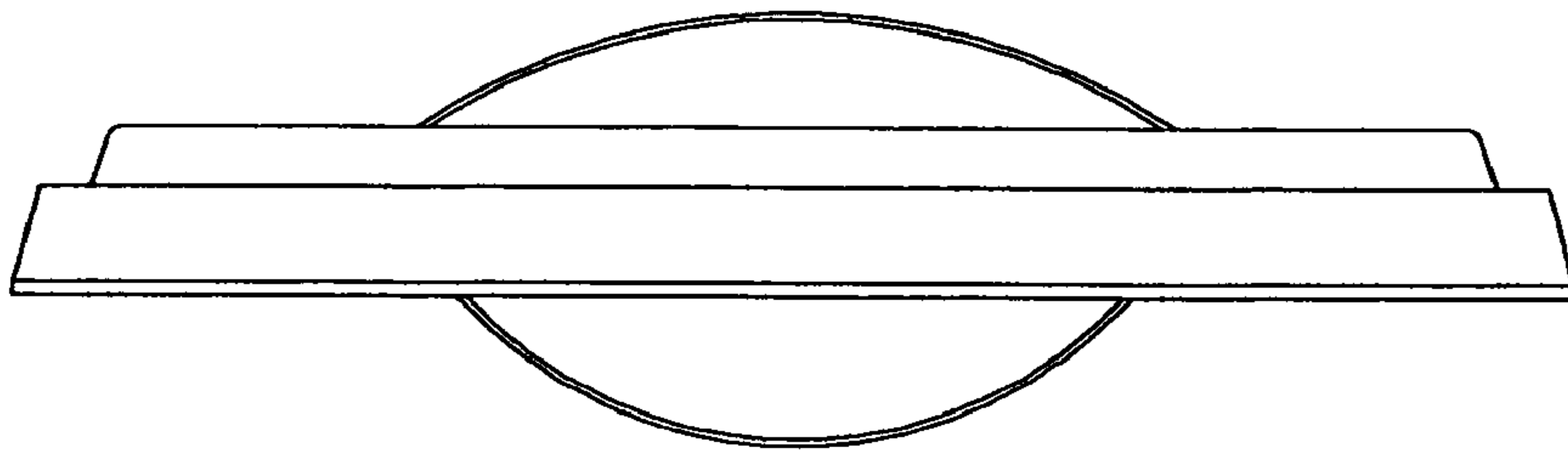
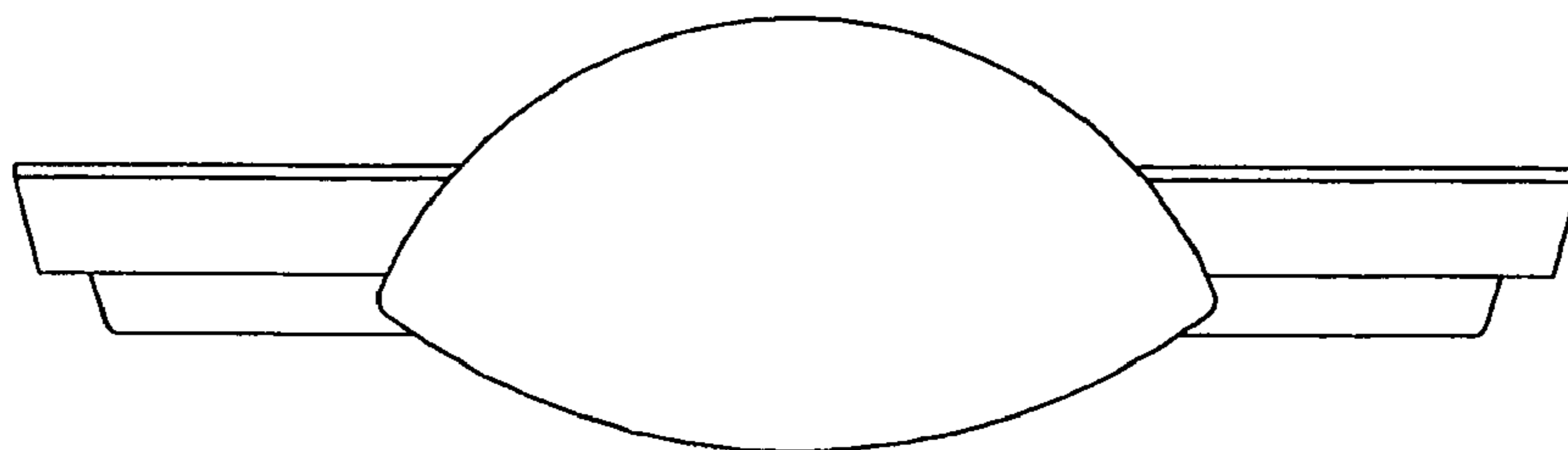


Fig. 7



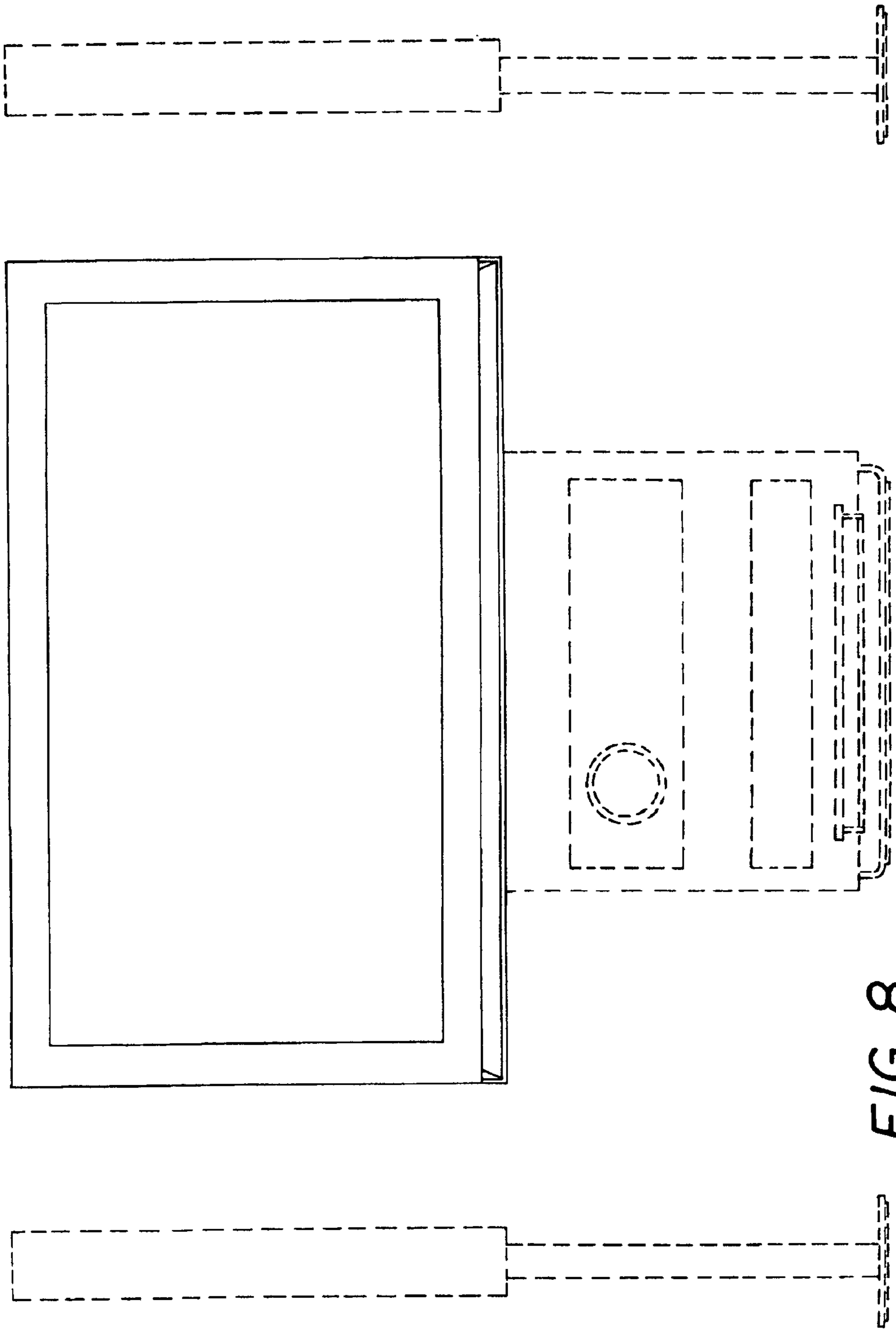


FIG. 8