



US00D555609S

(12) **United States Design Patent**
Galbraith

(10) **Patent No.:** **US D555,609 S**

(45) **Date of Patent:** **** Nov. 20, 2007**

(54) **INJECTION DEVICE**

DESCRIPTION

(75) Inventor: **Sofia Galbraith**, Solothurn (CH)

(73) Assignee: **TecPharma Licensing AG**, Burgdorf (CH)

(**) Term: **14 Years**

(21) Appl. No.: **29/240,266**

(22) Filed: **Oct. 11, 2005**

(51) **LOC (8) Cl.** **24-02**

(52) **U.S. Cl.** **D14/114**

(58) **Field of Classification Search** D24/114,
D24/112, 133, 113, 186, 104, 130; 606/181,
606/185; D19/51, 41, 43, 50, 57, 56, 55;
604/232, 187

See application file for complete search history.

(56) **References Cited**

U.S. PATENT DOCUMENTS

5,478,316	A *	12/1995	Bitdinger et al.	604/232
5,709,662	A *	1/1998	Olive et al.	604/187
D441,398	S *	5/2001	Owen et al.	D19/50
D447,174	S *	8/2001	Kamiyama	D19/43
D460,485	S *	7/2002	Keda	D19/43
D461,204	S *	8/2002	Klefboom	D19/43
D462,760	S *	9/2002	Ahlgrim et al.	D24/114
D479,748	S *	9/2003	Tyce	D24/114
D501,253	S *	1/2005	Bainton	D24/114
D506,507	S *	6/2005	Qiu	D19/51
D508,264	S *	8/2005	Losel	D19/50
D508,717	S *	8/2005	Anand	D19/50
2004/0010233	A1 *	1/2004	Hjertman et al.	604/187

* cited by examiner

Primary Examiner—Louis Zarfaz

Assistant Examiner—David G. Muller

(74) *Attorney, Agent, or Firm*—David E. Bruhn

(57) **CLAIM**

The ornamental design for an injection device, as shown and described.

FIG. 1 is a perspective view of the injection device according to one embodiment of the present invention showing the top, one side and an end.

FIG. 2 is a side elevation of the other side, being a mirror image of the side shown in FIG. 1.

FIG. 3 is an end elevation view showing the end visible in FIG. 1.

FIG. 4 is an end elevation view showing the end opposite the end shown in FIG. 3.

FIG. 5 is a top plan view of FIG. 1.

FIG. 6 is a bottom plan view of Figure.

FIG. 7 is a perspective view of the injection device according to a second embodiment of the present invention showing the top, one side and an end.

FIG. 8 is a side elevation of the other side, being a mirror image of the side shown in FIG. 7.

FIG. 9 is an end elevation showing the end visible in FIG. 7.

FIG. 10 is an end elevation showing the end opposite the end shown in FIG. 9.

FIG. 11 is a top plan view respective to FIG. 7.

FIG. 12 is a bottom plan view respective to FIG. 7.

FIG. 13 is a perspective view of the injection device with the cap removed according to the embodiments of the present invention showing the top, one side and an end.

FIG. 14 is a side elevation of the other side, being a mirror image of the side shown in FIG. 13.

FIG. 15 is an end elevation showing the end opposite the end visible in FIG. 13.

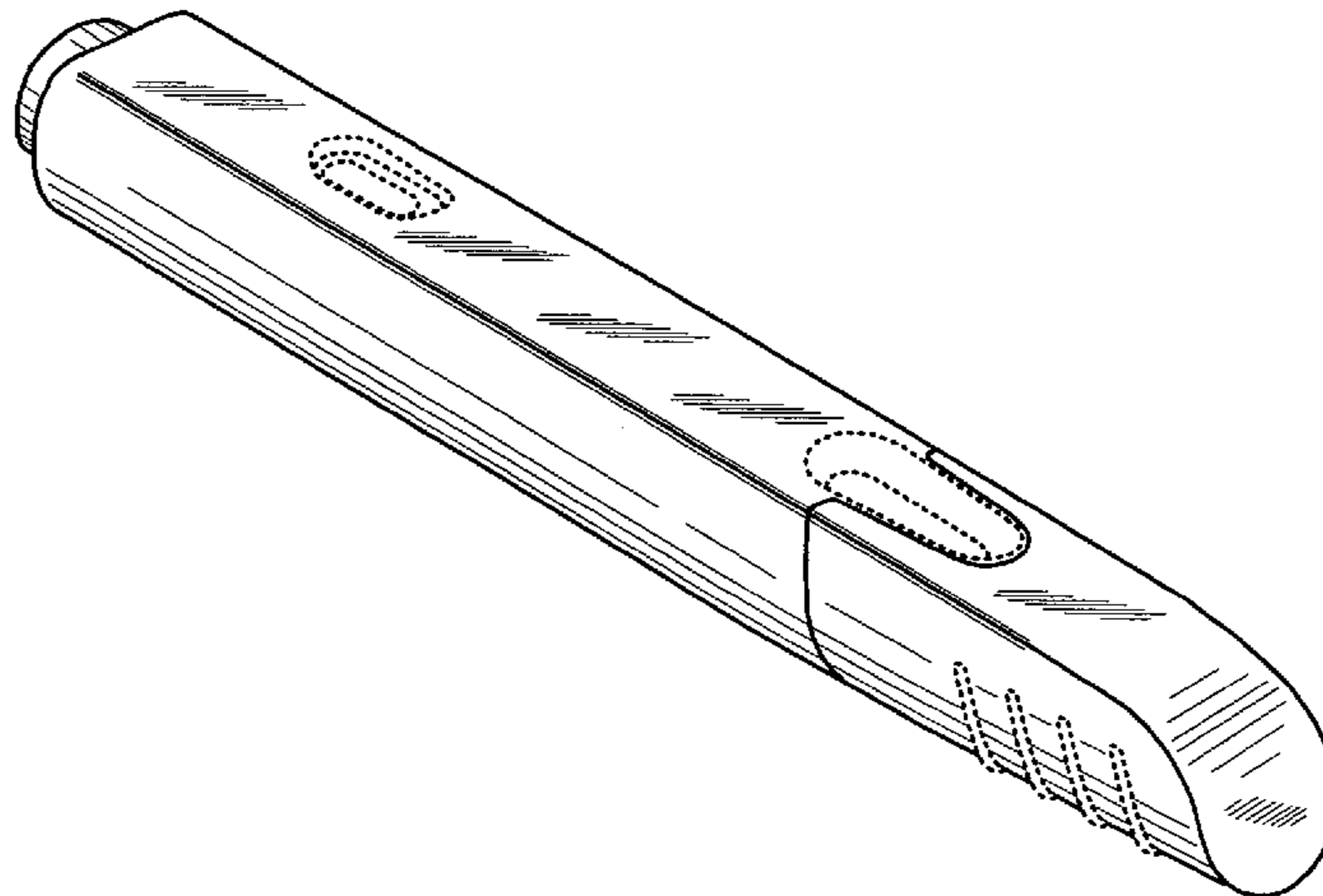
FIG. 16 is an end elevation showing the end visible in FIG. 13.

FIG. 17 is a top plan view respective to FIG. 13; and,

FIG. 18 is a bottom plan view respective to FIG. 13.

The broken line portions of the drawings are for illustrative purposes only and form no part of the claimed design.

1 Claim, 6 Drawing Sheets



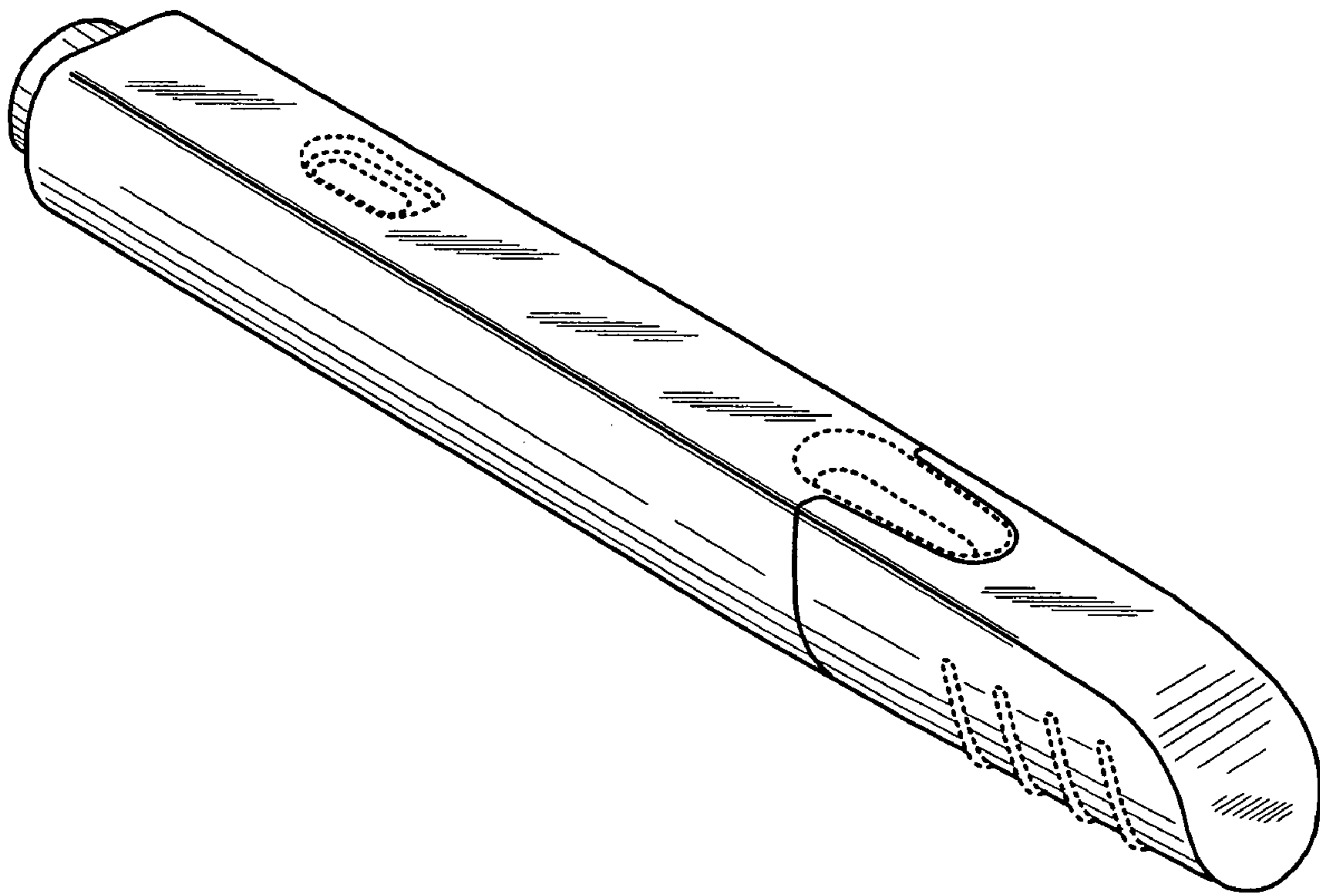


FIG. 1

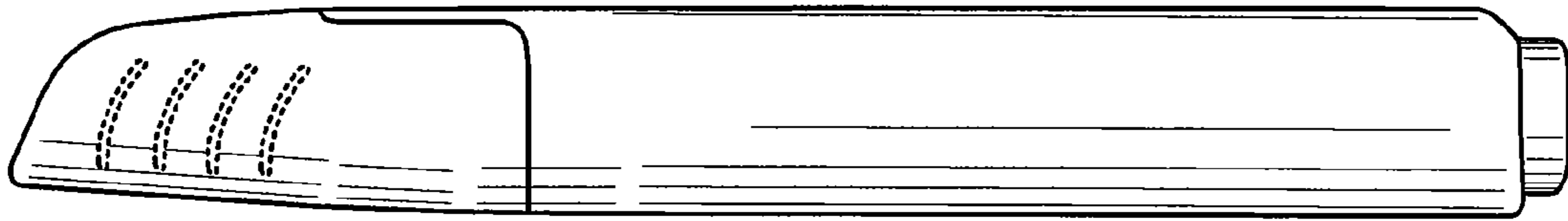


FIG. 2



FIG. 3

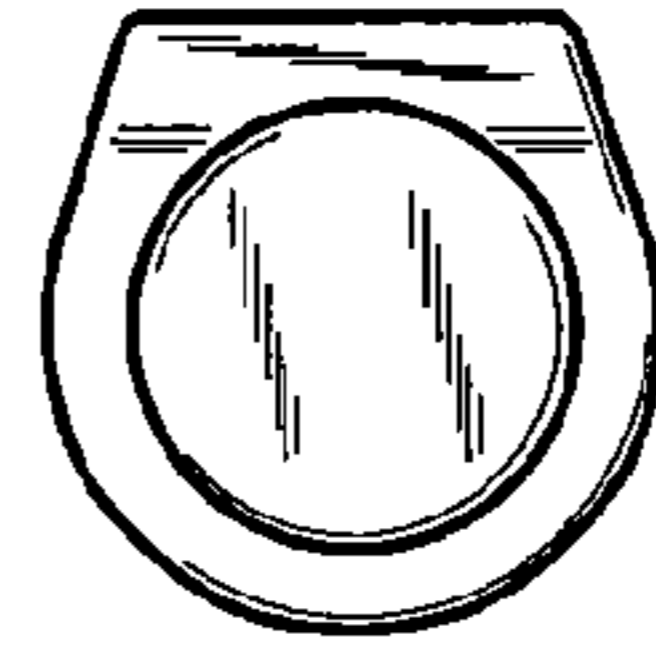


FIG. 4



FIG. 5

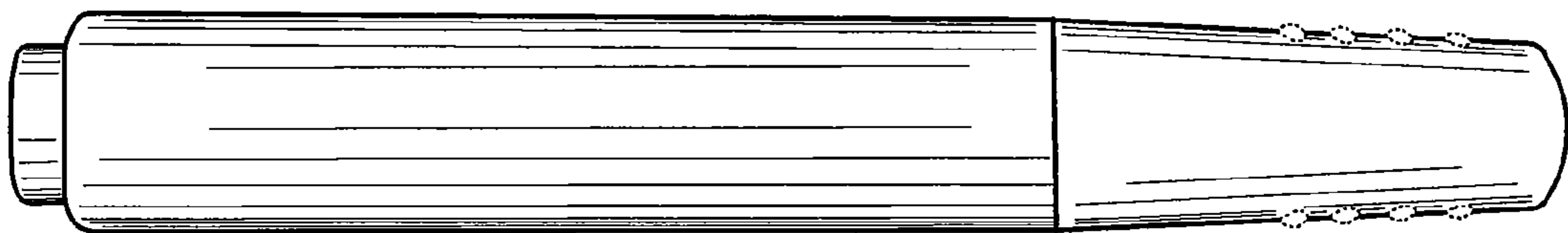


FIG. 6

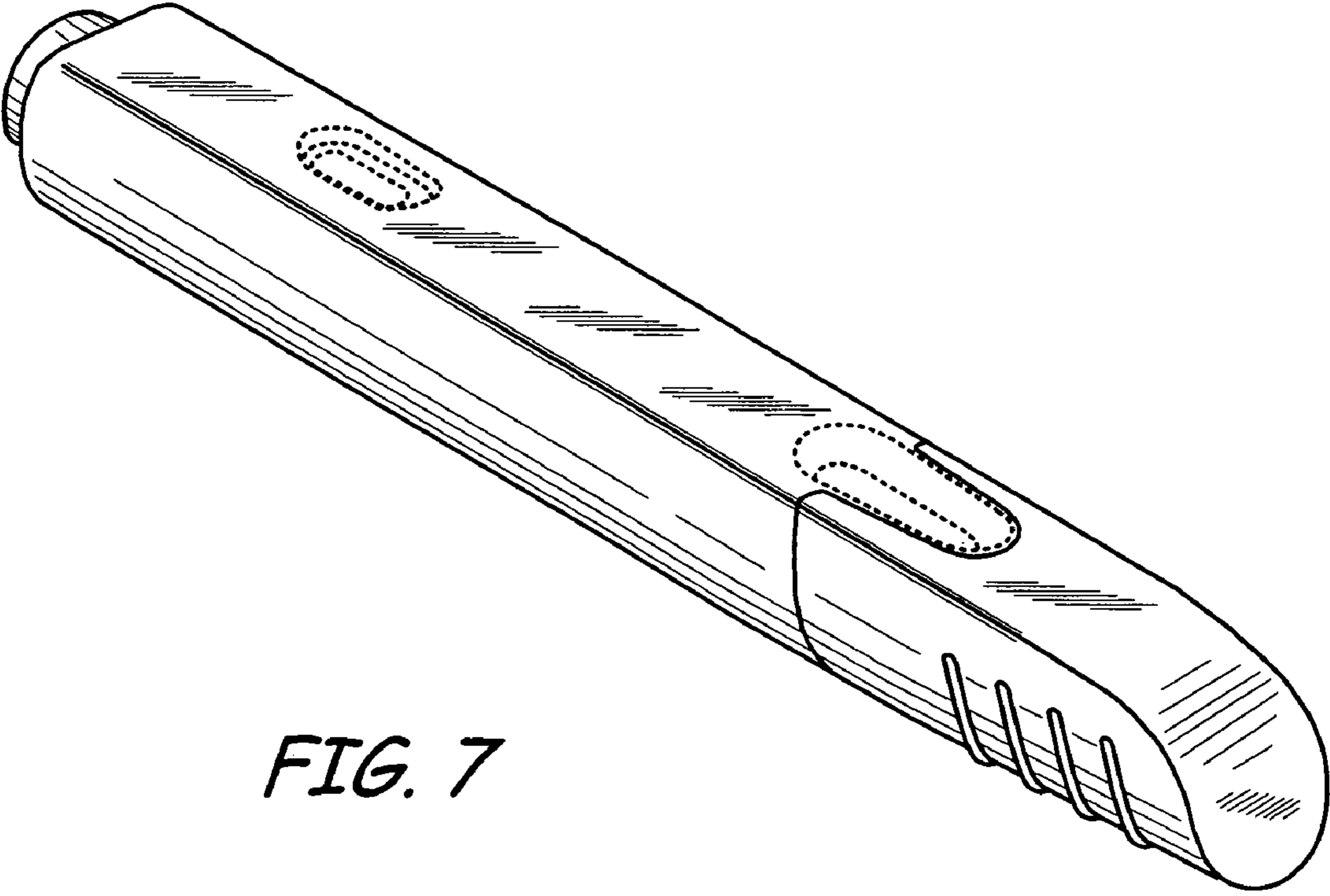


FIG. 7

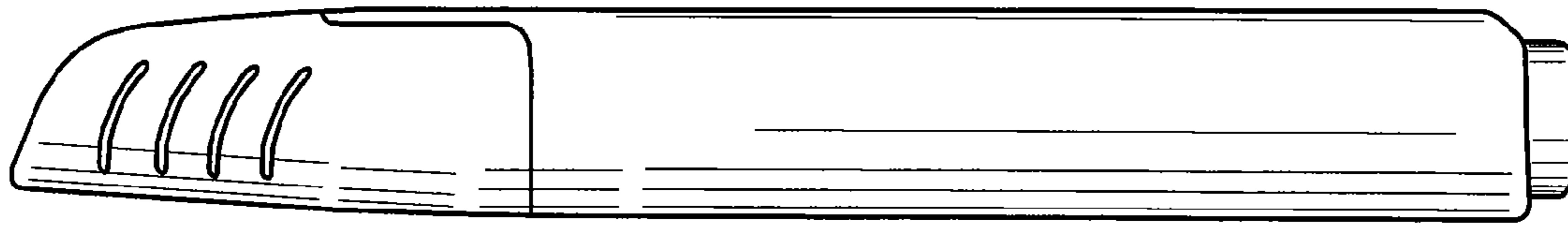


FIG. 8



FIG. 9

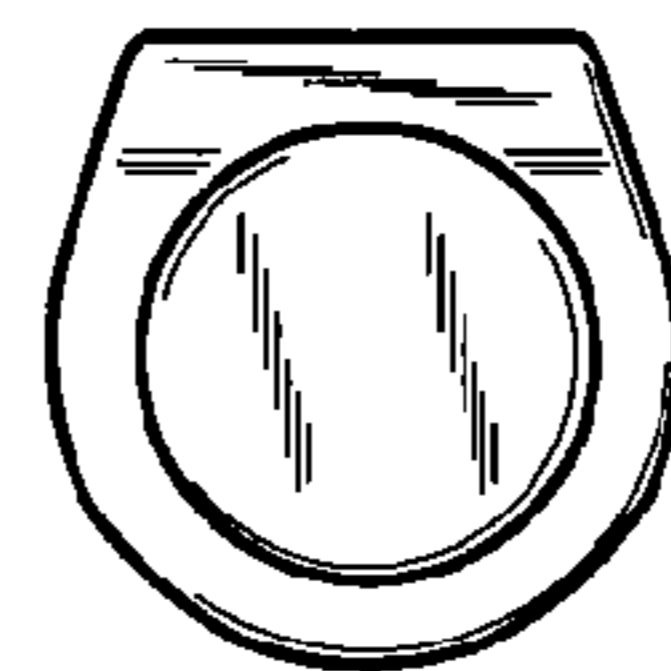


FIG. 10



FIG. 11

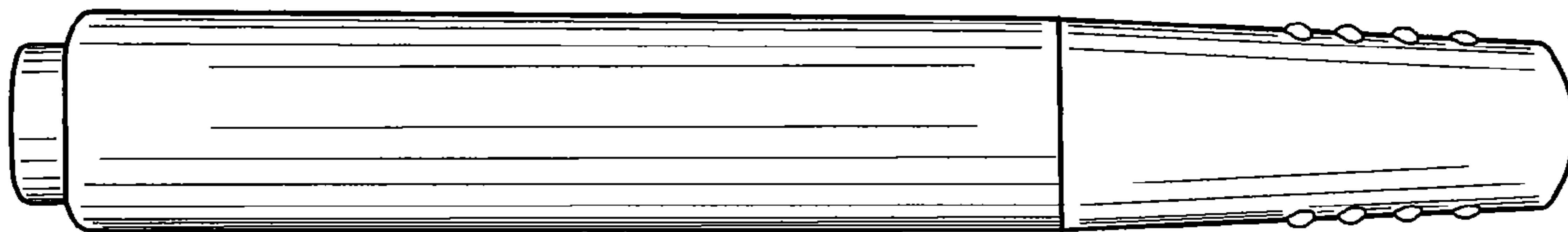


FIG. 12

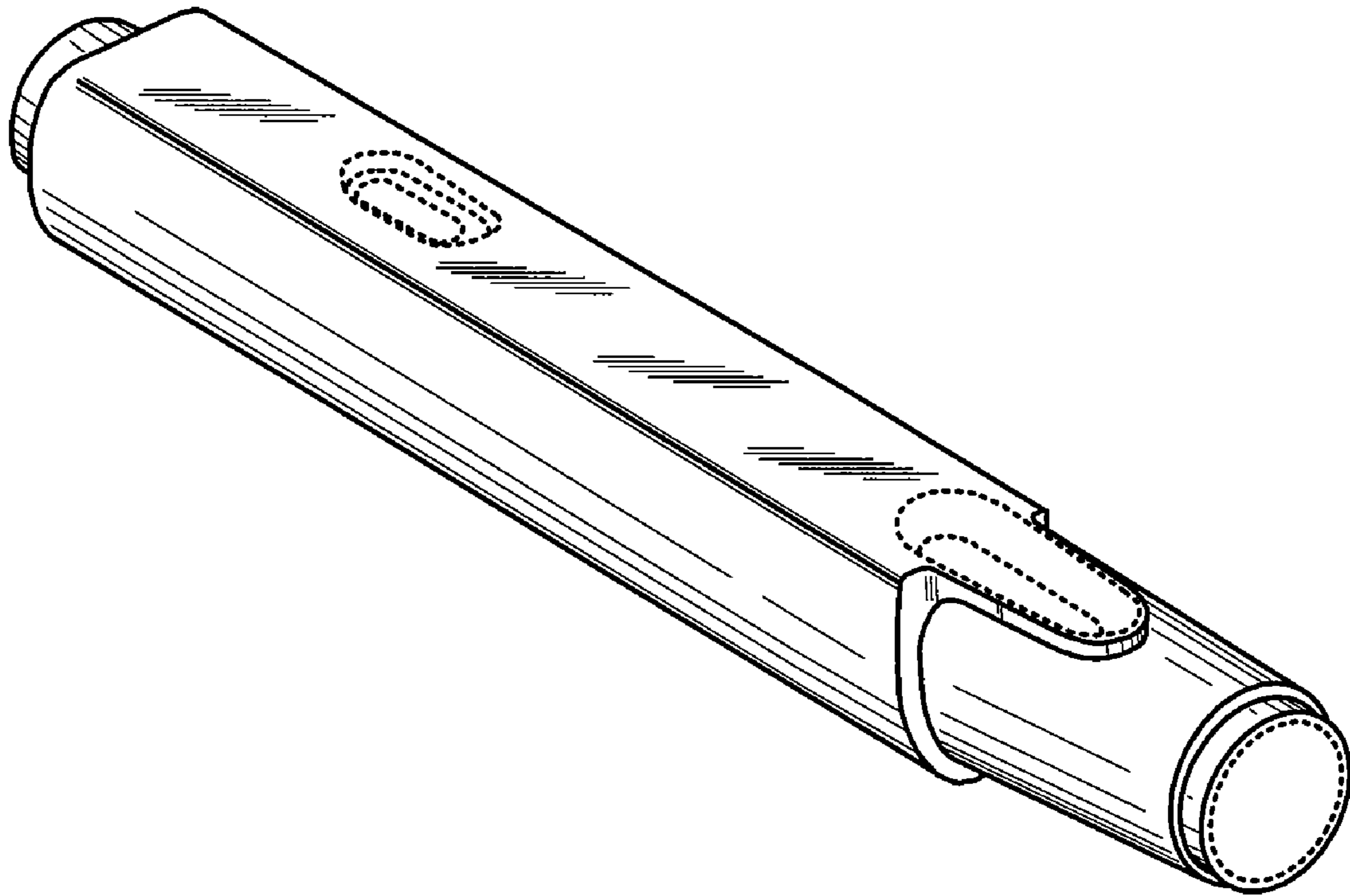


FIG. 13

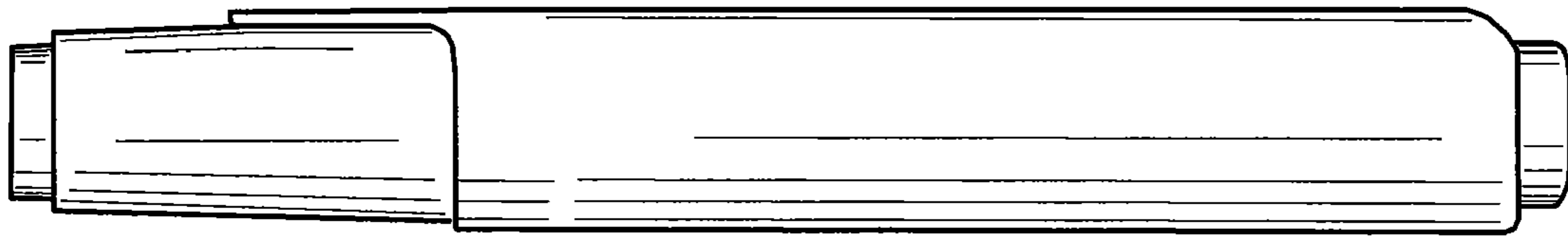


FIG. 14

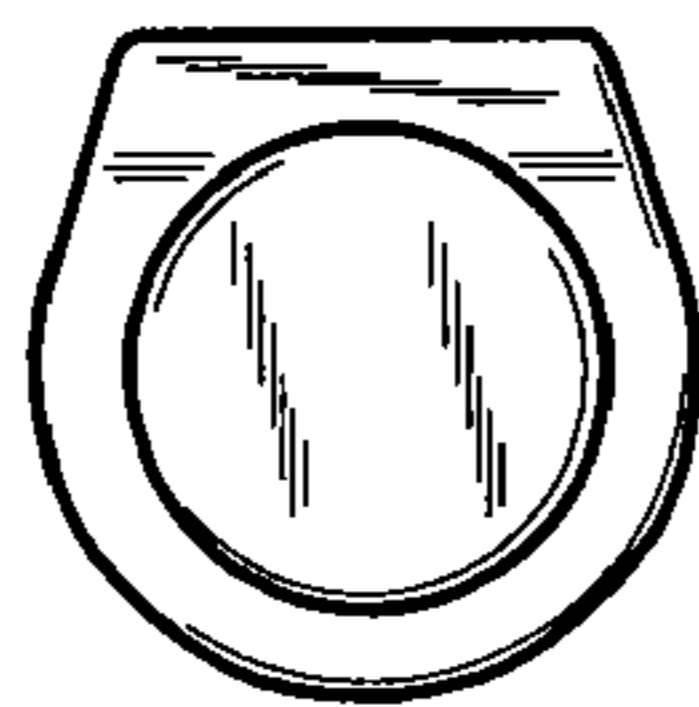


FIG. 15

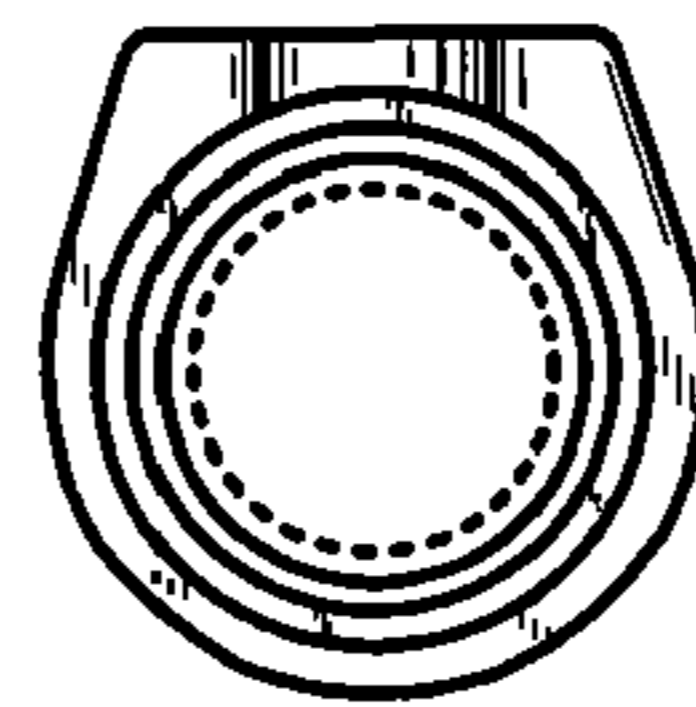


FIG. 16



FIG. 17

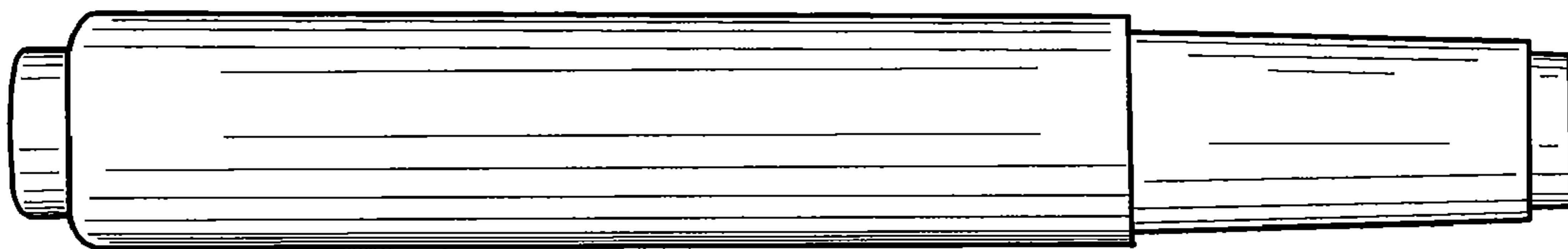


FIG. 18

UNITED STATES PATENT AND TRADEMARK OFFICE
CERTIFICATE OF CORRECTION

PATENT NO. : Des. 555,609 S
APPLICATION NO. : 29/240266
DATED : November 20, 2007
INVENTOR(S) : Sofia Galbraith

Page 1 of 1

It is certified that error appears in the above-identified patent and that said Letters Patent is hereby corrected as shown below:

On Title page item 30
Insert Priority Claim

-- This application claims the benefit of Community Design Patent No. 000326210-0001, filed on April 13, 2005. --

DESCRIPTION

Figure	PTO	Should read
FIG. 6	“is a bottom plan view of Figure.”	-- is a bottom plan view of FIG. 1. --

Signed and Sealed this

Twentieth Day of May, 2008



JON W. DUDAS
Director of the United States Patent and Trademark Office