



US00D555601S

(12) **United States Design Patent**
Olason

(10) **Patent No.:** **US D555,601 S**

(45) **Date of Patent:** **** Nov. 20, 2007**

(54) **CONTROL PANEL FOR EXERCISE EQUIPMENT**

(75) Inventor: **Brady A. Olason**, Mukilteo, WA (US)

(73) Assignee: **Precor Incorporated**, Woodinville, WA (US)

(**) Term: **14 Years**

(21) Appl. No.: **29/256,830**

(22) Filed: **Mar. 24, 2006**

(51) **LOC (8) Cl.** **13-03**

(52) **U.S. Cl.** **D13/162**

(58) **Field of Classification Search** D13/158,
D13/162, 164, 168, 169, 171, 174, 184; D14/218,
D14/401; D16/219; 200/5 A, 5 R, 302.1;
482/7, 8

See application file for complete search history.

(56) **References Cited**

U.S. PATENT DOCUMENTS

D239,394 S *	3/1976	Adams et al.	D13/169
4,611,102 A *	9/1986	Ishida	200/5 R
4,975,547 A *	12/1990	Nakayama et al.	200/5 R
4,976,435 A	12/1990	Shatford et al.	273/148
D316,540 S *	4/1991	Hirose	D13/171
5,364,271 A	11/1994	Aknin et al.	434/61
D354,735 S *	1/1995	McCloud	D13/158
D366,042 S *	1/1996	Laituri	D14/218
D376,180 S *	12/1996	Takahata et al.	D14/401
5,591,104 A	1/1997	Andrus et al.	482/7
D379,816 S *	6/1997	Laituri et al.	D14/218
D392,256 S *	3/1998	Saint-Cyr et al.	D13/158

5,888,172 A	3/1999	Andrus et al.	482/7
6,447,424 B1	9/2002	Ashby et al.	482/8
D471,576 S *	3/2003	Nasu	D16/219
D513,233 S *	12/2005	Stauffer	D13/168
D531,137 S *	10/2006	Wu	D13/168
D540,268 S *	4/2007	Derocher et al.	D13/168
2004/0014566 A1	1/2004	Kao	482/8
2005/0205393 A1*	9/2005	Bricaud et al.	200/5 R
2005/0209050 A1*	9/2005	Bartels	482/8
2006/0196756 A1*	9/2006	Ohmori et al.	200/5 A

* cited by examiner

Primary Examiner—Selina Sikder

Assistant Examiner—Thomas J Johannes

(74) *Attorney, Agent, or Firm*—Terence P. O'Brien

(57) **CLAIM**

I claim the ornamental design for a control panel for exercise equipment, as shown and described.

DESCRIPTION

FIG. 1 is a front perspective view of a control panel for exercise equipment;

FIG. 2 is a front view of the control panel of FIG. 1;

FIG. 3 is a side view of the control panel of FIG. 1; and,

FIG. 4 is a top view of the control panel of FIG. 1.

The ornamental design that is claimed is shown in solid lines in the drawings. The broken (dashed) lines shown in the drawings are included for the purpose of illustrating environmental elements only and form no part of the claimed design.

1 Claim, 4 Drawing Sheets

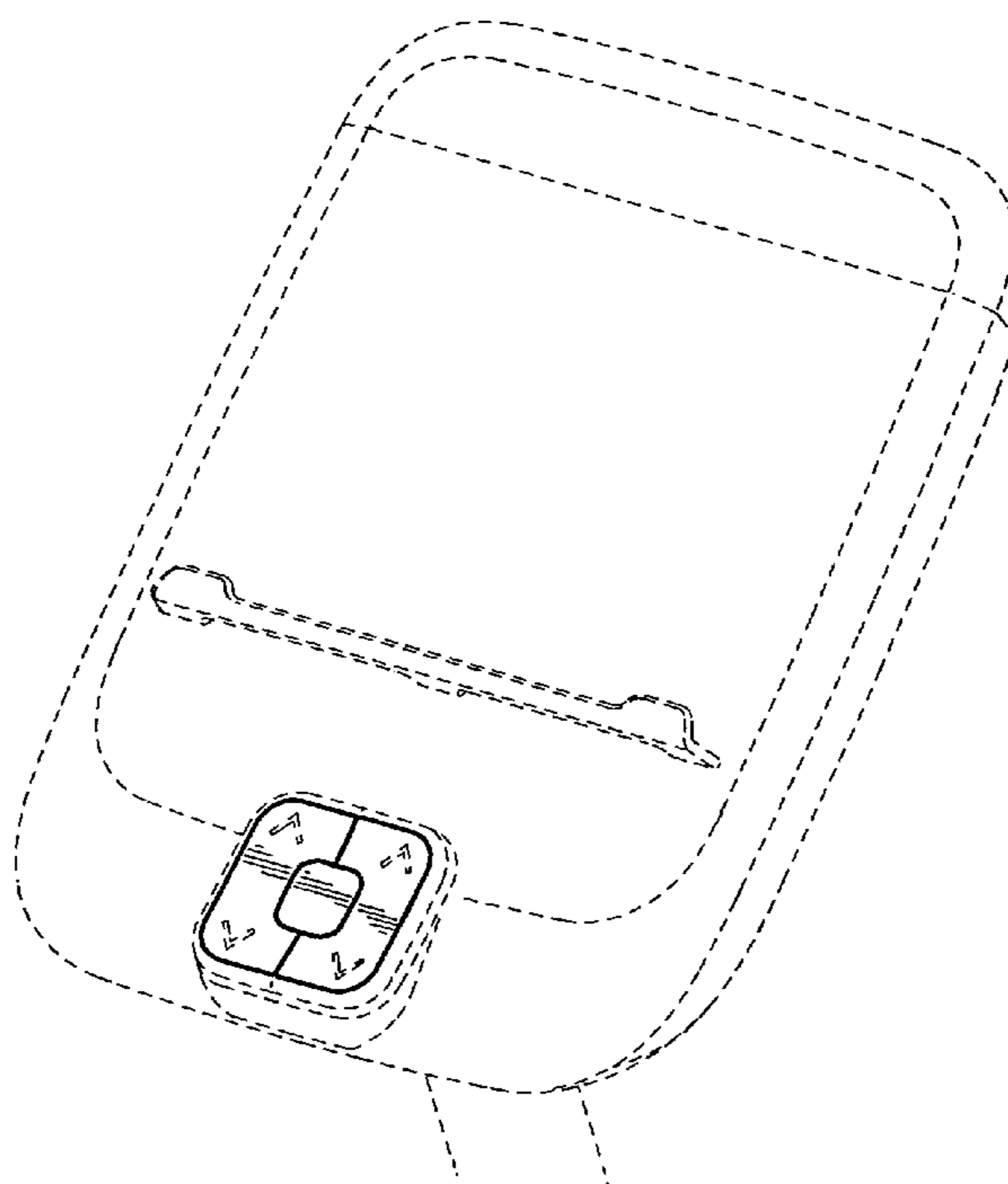


FIG. 1

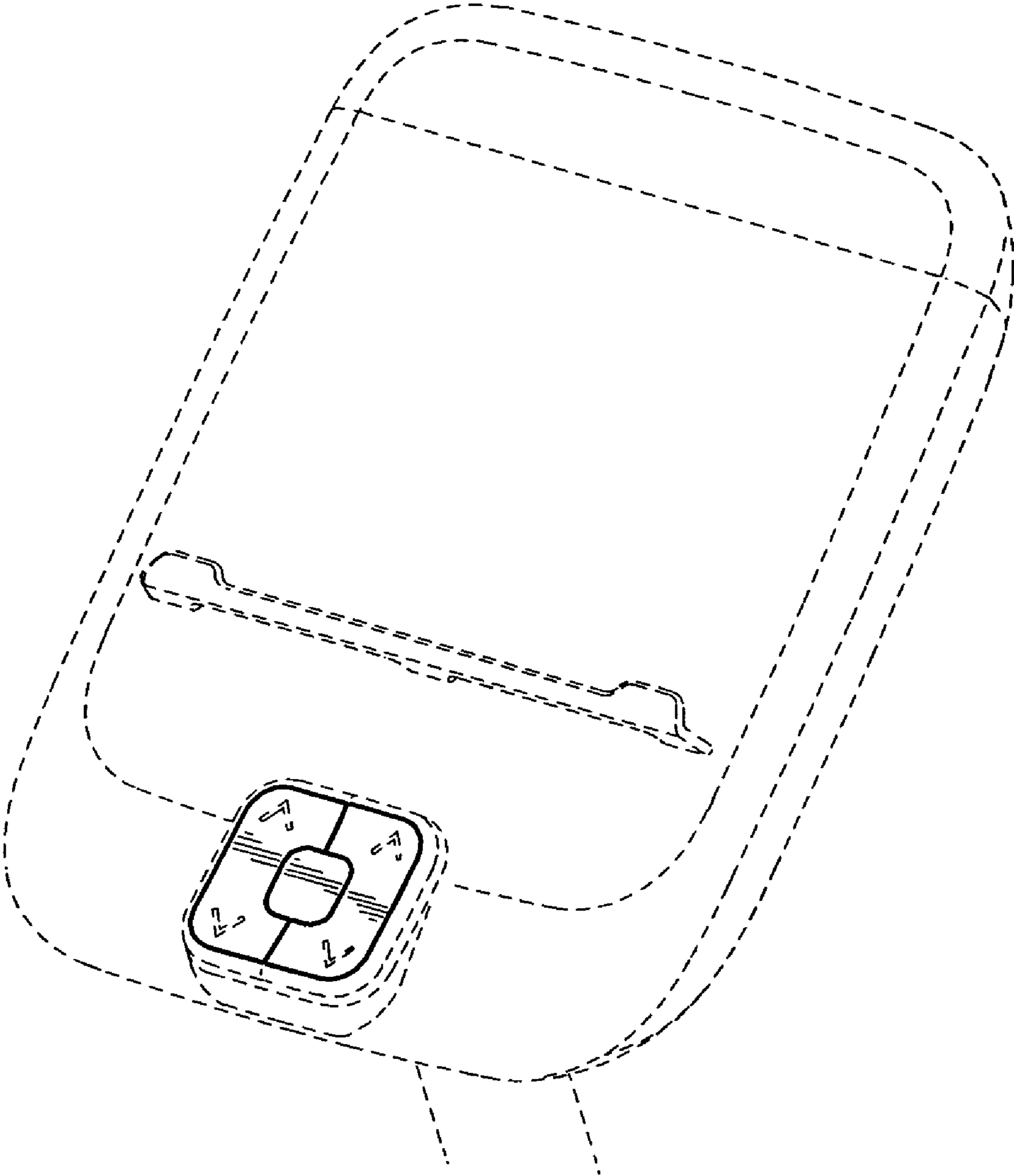


FIG. 2

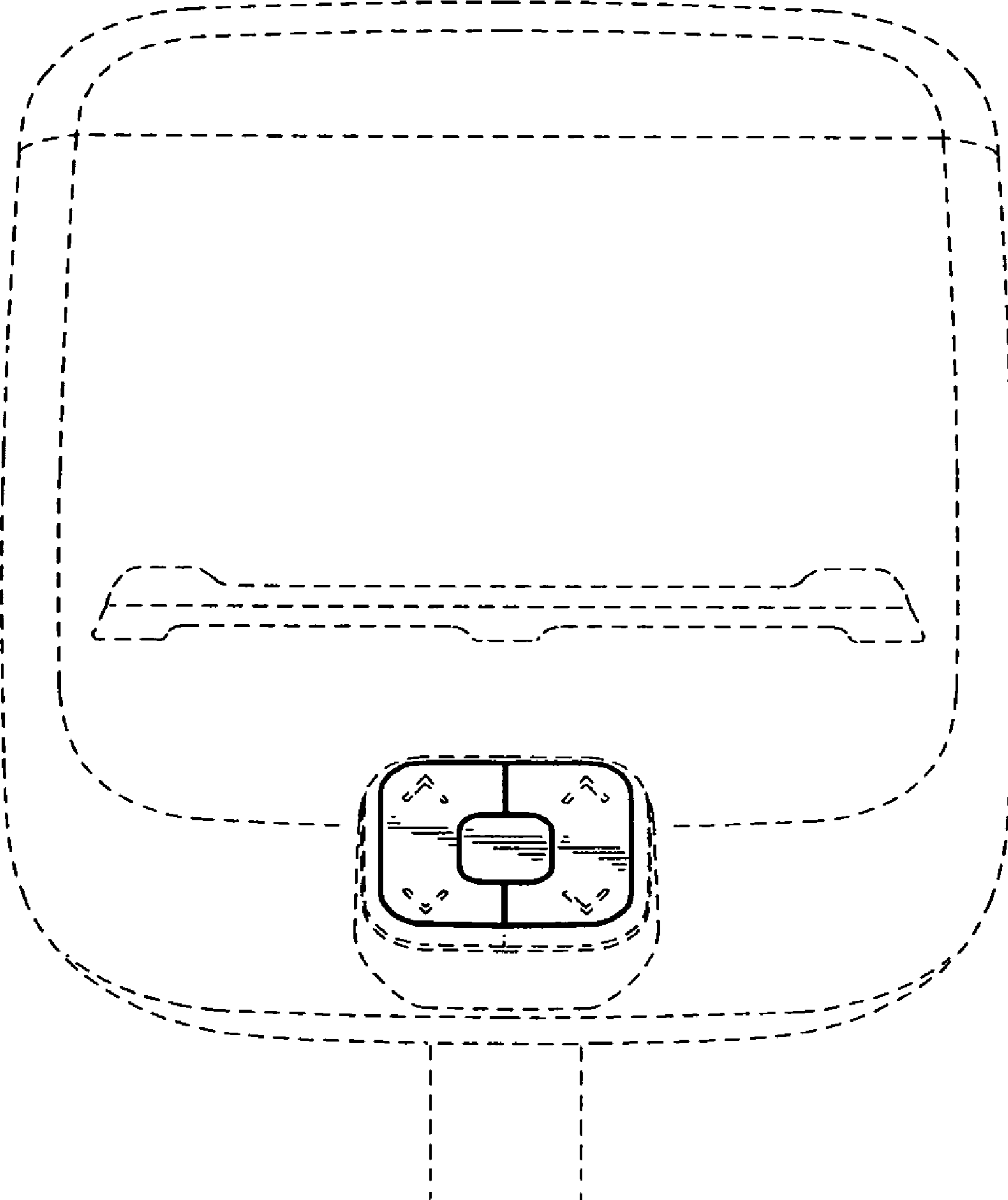
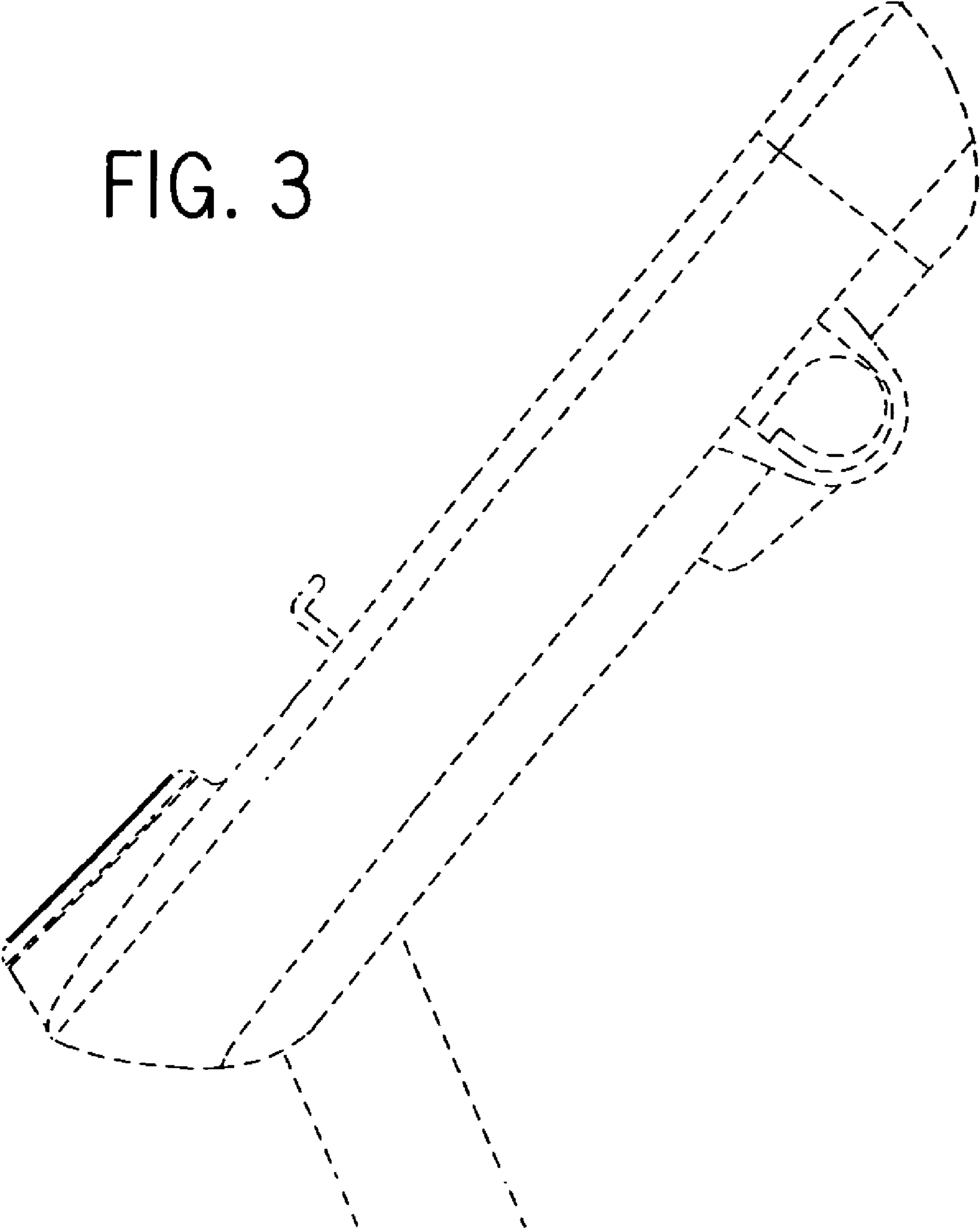


FIG. 3



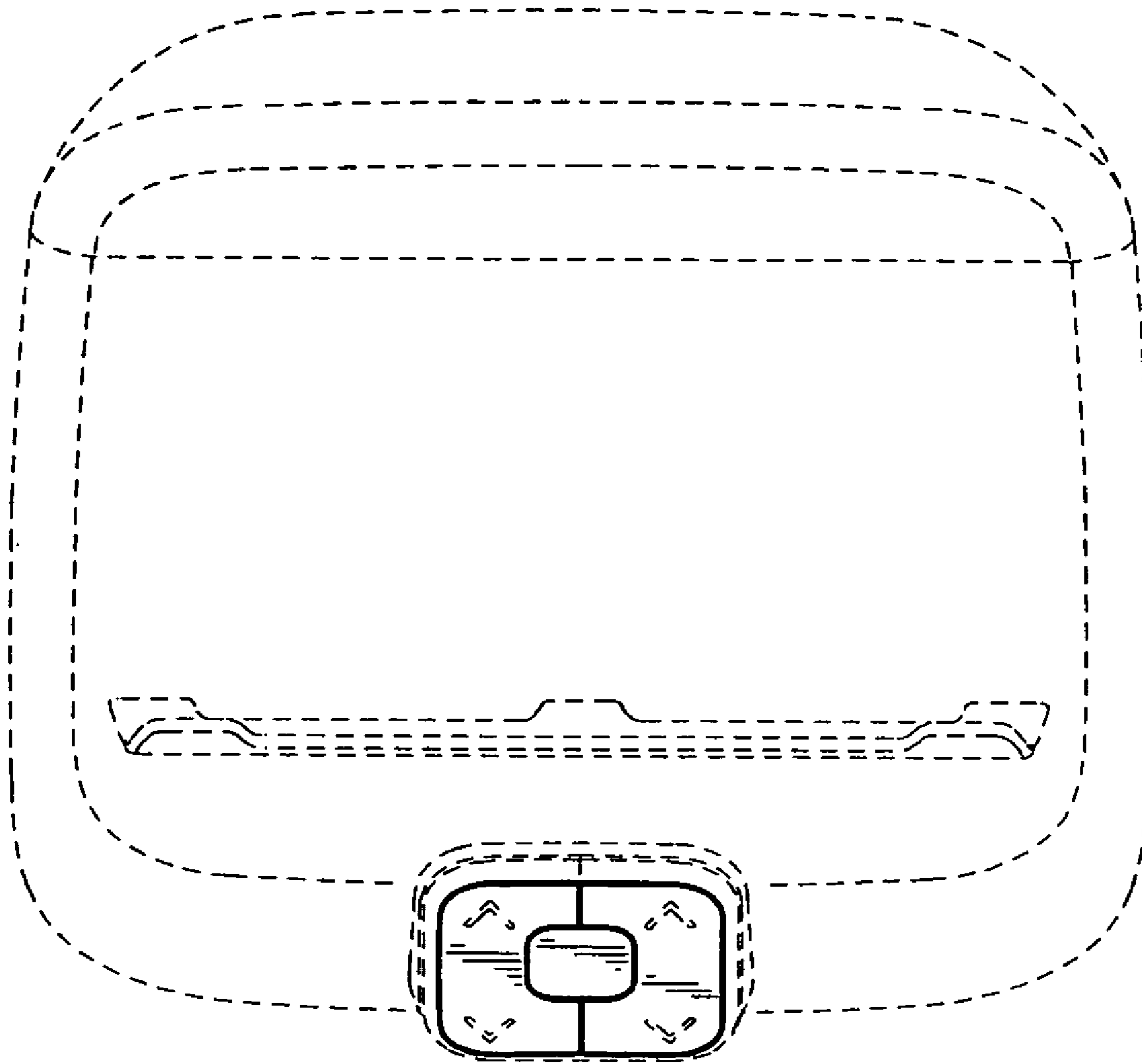


FIG. 4