

US00D555597S

(12) **United States Design Patent** (10) **Patent No.:** **US D555,597 S**
Phung et al. (45) **Date of Patent:** **** Nov. 20, 2007**

(54) **CONNECTOR HOUSING**

(75) Inventors: **Phillip Phung**, Kirkland, WA (US);
Jennifer M Waite, Renton, WA (US);
Max R Banakar, Bellevue, WA (US);
Patrick S McNutt, Carnation, WA (US)

(73) Assignee: **Leviton Manufacturing Company, Inc.**, Little Neck, NY (US)

(**) Term: **14 Years**

(21) Appl. No.: **29/212,932**

(22) Filed: **Sep. 9, 2004**

(51) **LOC (8) Cl.** **13-03**

(52) **U.S. Cl.** **D13/154; D13/133; D13/146; D13/147**

(58) **Field of Classification Search** D13/133,
D13/146-147, 151, 154, 156, 184, 199; 439/155,
439/306-309, 352, 460, 469, 597, 600, 607-610,
439/680

See application file for complete search history.

(56) **References Cited**

U.S. PATENT DOCUMENTS

D162,795 S *	4/1951	De Tar	D13/146
4,801,277 A *	1/1989	Seilhan	439/680
D313,222 S *	12/1990	Takizawa	D13/133
D406,816 S *	3/1999	Hopper et al.	D13/146
D529,441 S *	10/2006	LaPere	D13/133
2002/0028604 A1 *	3/2002	Lo et al.	439/607
2007/0037433 A1 *	2/2007	Carnahan	439/352

OTHER PUBLICATIONS

Hubbell Incorporated, Hubbell Premier Wiring, Connecting Hardware for Harsh Environments, HI-IMPACT Category 5e Patch Cords, DS-E4, Jul. 2004, 2 pages, Stonington, CT.

Hubbell Incorporated, Hubbell Premier Wiring, Connecting Hardware for Harsh Environments, HI-IMPACT Category 5e Shielded Connector, DS-E14, Sep. 2004, 2 pages, Stonington, CT.

Hubbell Incorporated, Hubbell-Premise.com, The Hubbell Advantage, HI-IMPACT For Harsh Environments, <http://www.hubbell-premise.com/HarshEnv.com.asp>, Dec. 22, 2004, 2 pages.

* cited by examiner

Primary Examiner—Daniel Bui

(74) *Attorney, Agent, or Firm*—Davis Wright Tremaine LLP; George C. Rondeau, Jr.

(57) **CLAIM**

The ornamental design for a connector housing, as shown and described.

DESCRIPTION

FIG. 1 is a front perspective view of a connector housing, showing our new design.

FIG. 2 is a rear perspective view thereof.

FIG. 3 is a top plan view thereof, the bottom plan view being a mirror image thereof.

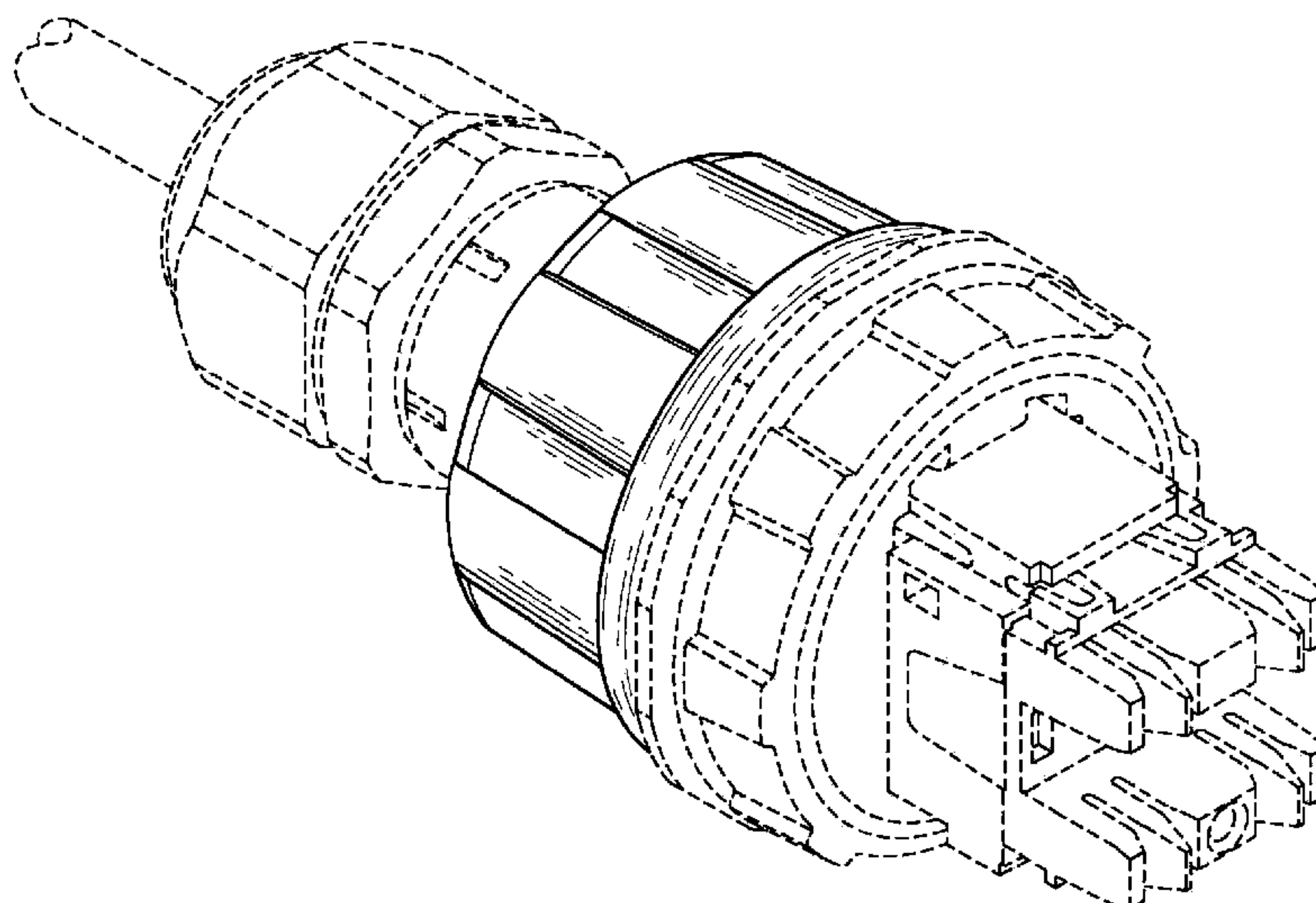
FIG. 4 is a right side elevational view thereof, the left side elevational view being a mirror image thereof.

FIG. 5 is a front elevational view thereof; and,

FIG. 6 is a rear elevational view thereof.

The broken lines are for illustrative purposes only and form no part of the claimed design.

1 Claim, 5 Drawing Sheets



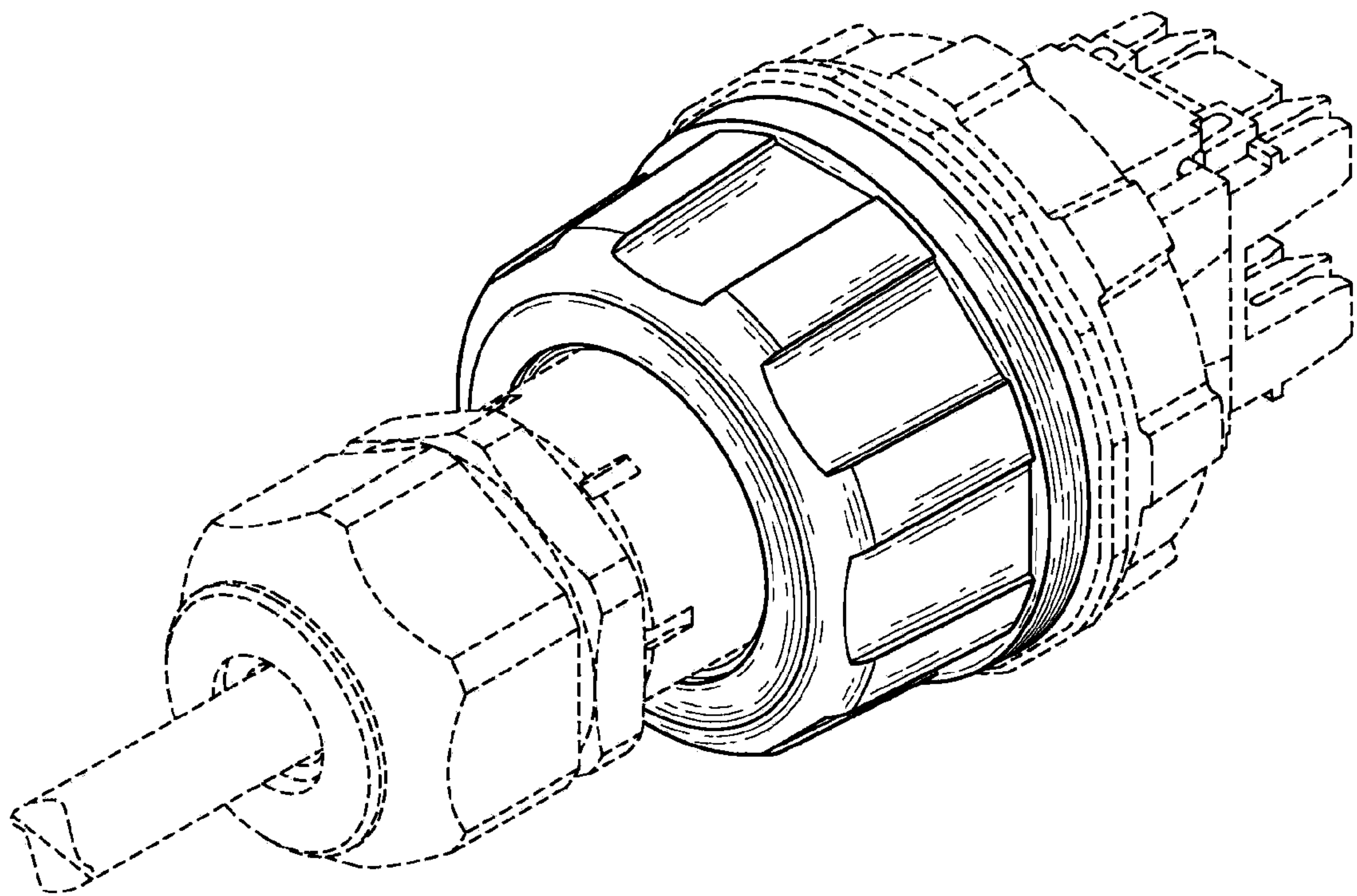


Fig. 1

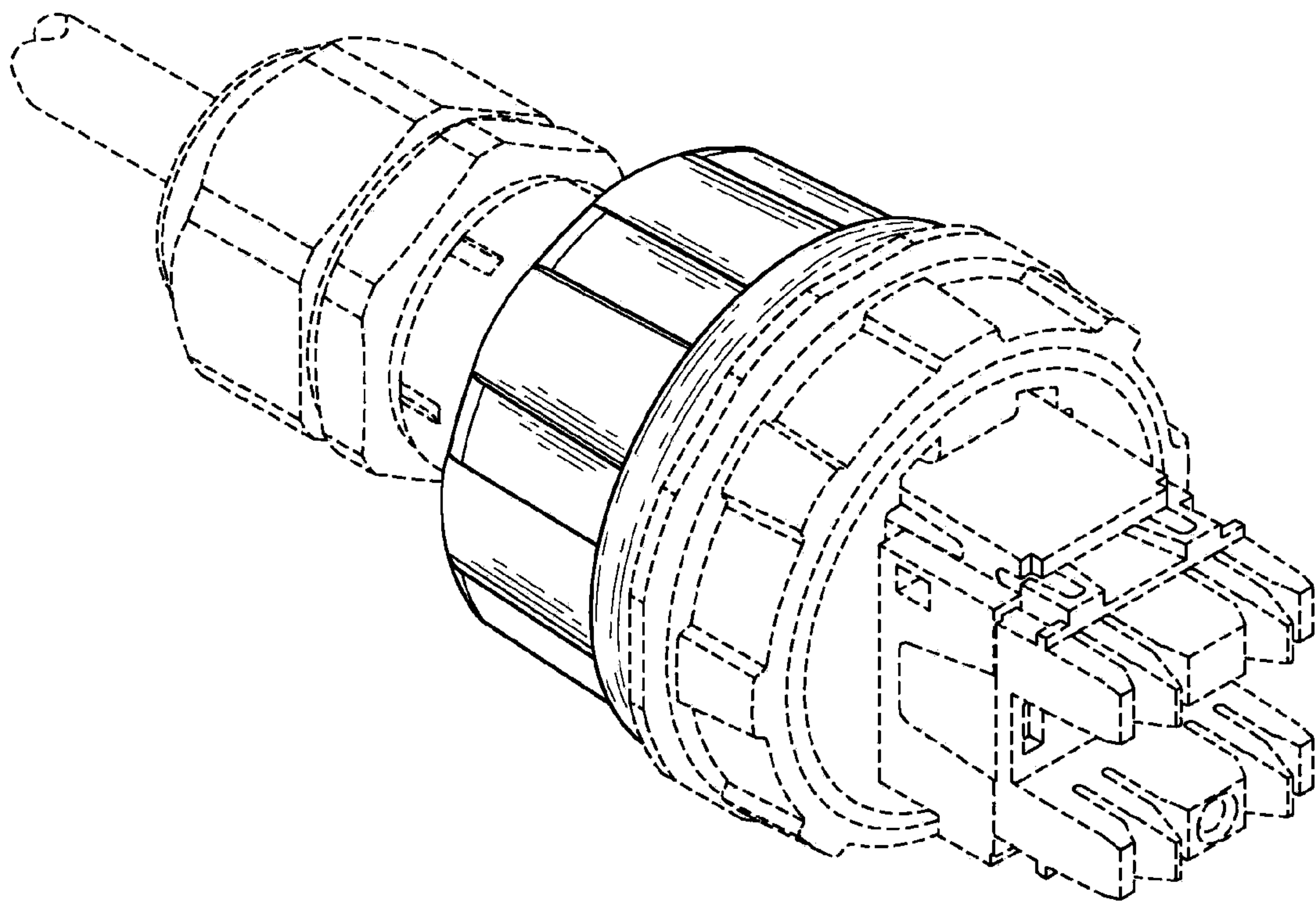


Fig. 2

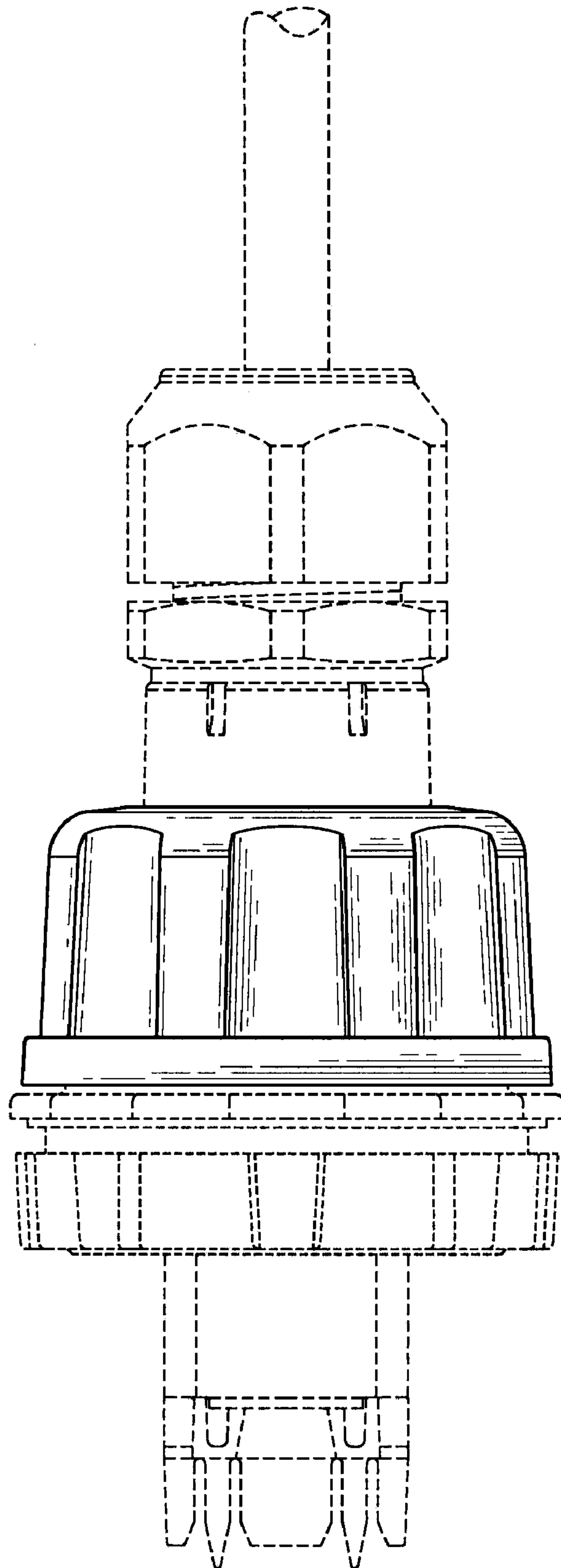


Fig. 3

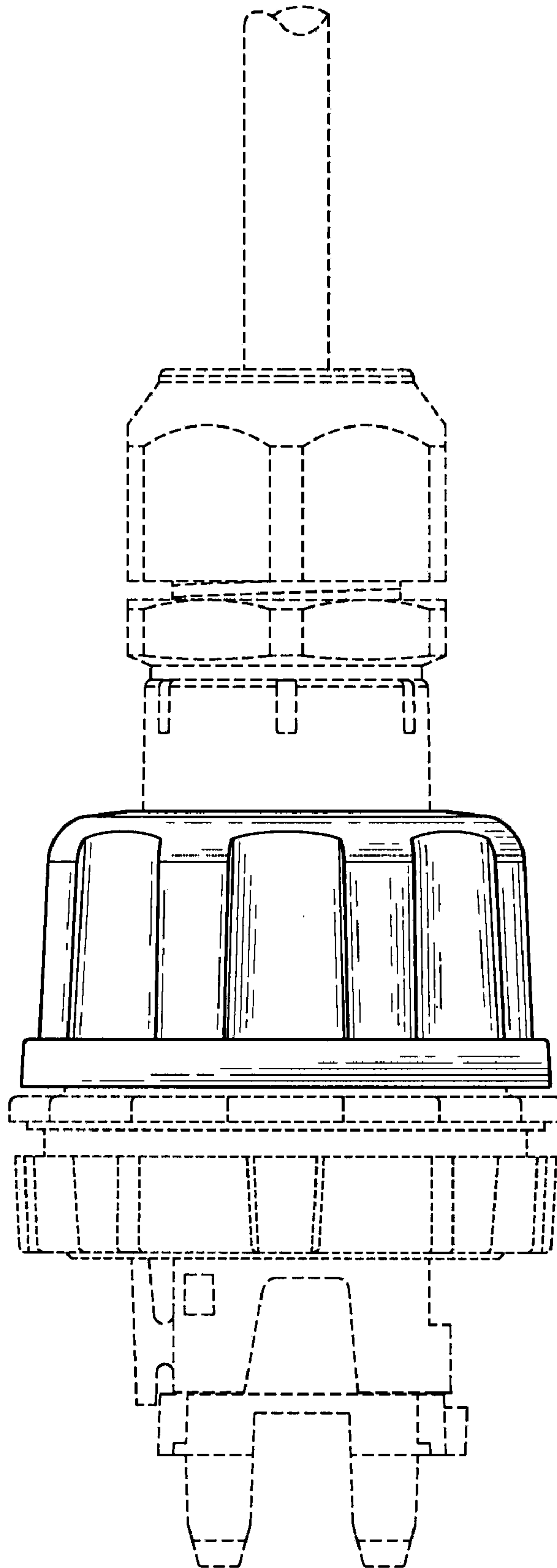


Fig. 4

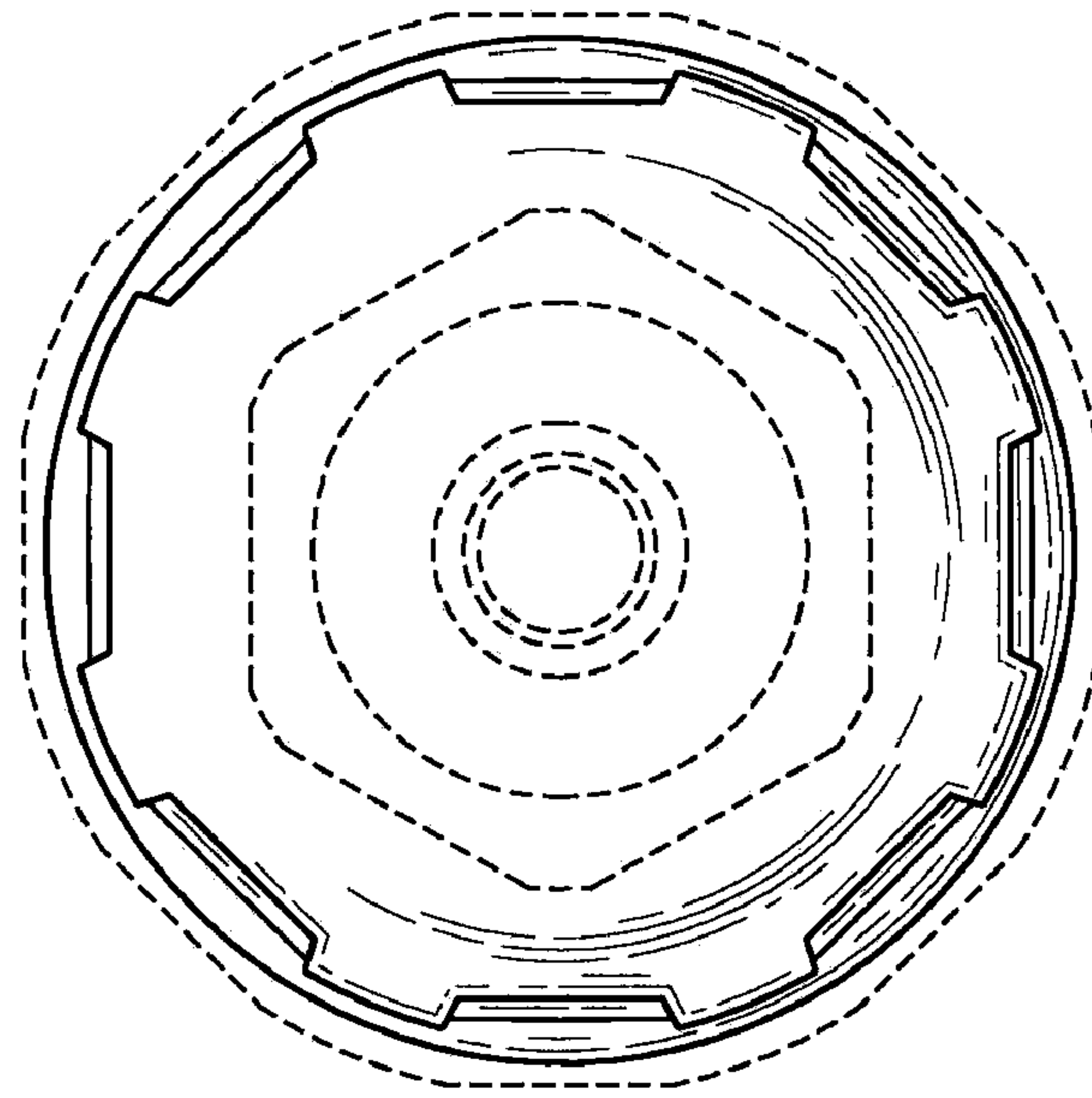


Fig. 5

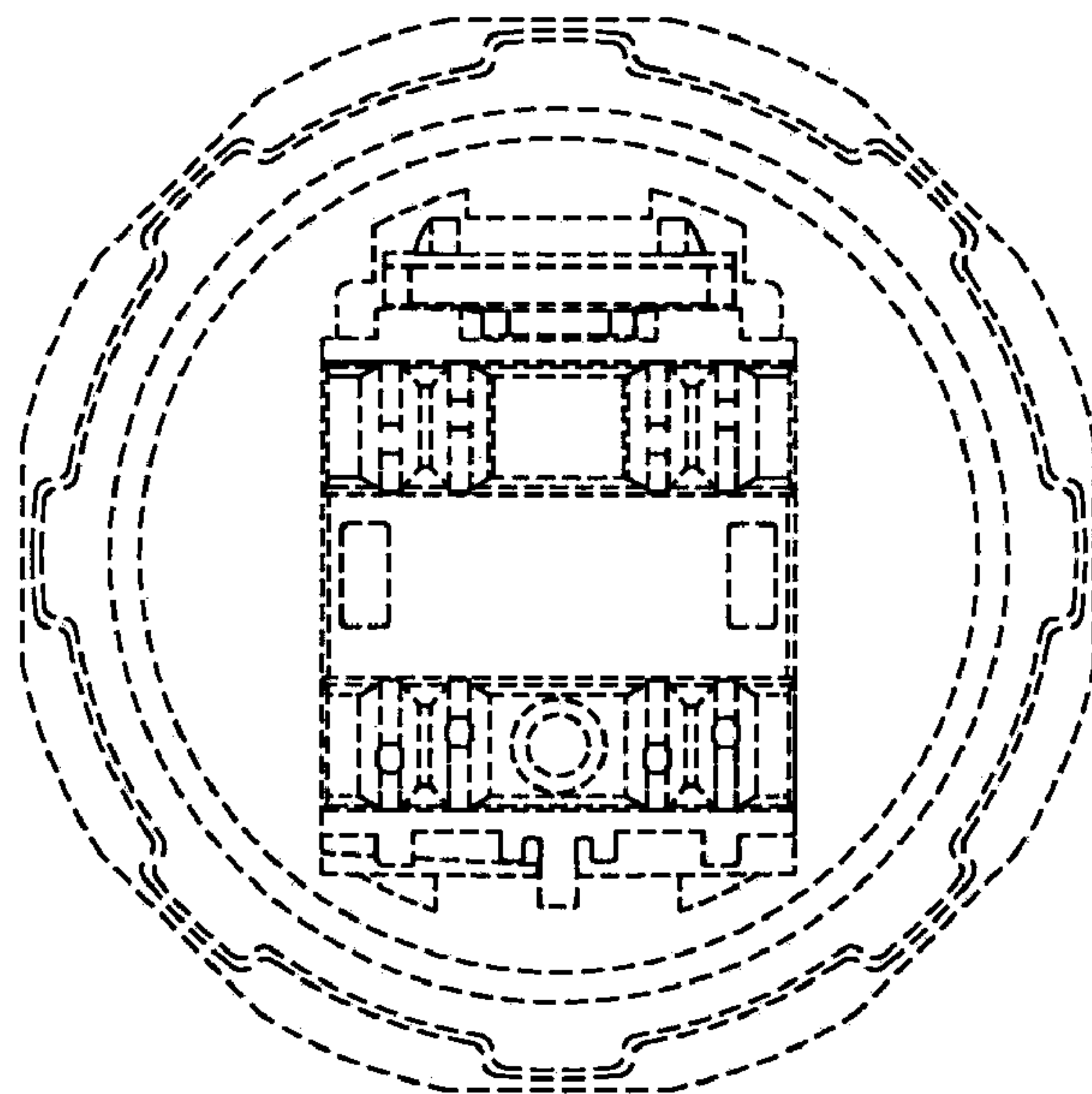


Fig. 6