



US00D555596S

(12) **United States Design Patent**  
**Park**

(10) **Patent No.:** **US D555,596 S**

(45) **Date of Patent:** **\*\* Nov. 20, 2007**

(54) **CONNECTOR OF THE TEMPERATURE  
SENSOR FOR OVEN RANGE**

(75) Inventor: **James Ji-Hong Park**, Seoul (KR)

(73) Assignee: **James Tech Co., Ltd.** (KR)

(\*\*) Term: **14 Years**

(21) Appl. No.: **29/240,824**

(22) Filed: **Oct. 19, 2005**

(30) **Foreign Application Priority Data**

Sep. 28, 2005 (KR) ..... 30-2005-0032805

(51) **LOC (8) Cl.** ..... **13-03**

(52) **U.S. Cl.** ..... **D13/151; D13/148**

(58) **Field of Classification Search** ..... D13/133,  
D13/151, 146-149, 154, 184; D23/386;  
174/87, 74 R; 439/161, 259, 266, 270, 278,  
439/374, 483-485, 527, 476.1, 519, 775,  
439/784, 801, 892, 894

See application file for complete search history.

(56) **References Cited**

**U.S. PATENT DOCUMENTS**

D184,995 S *	4/1959	Gibson	.....	D13/148
D237,189 S *	10/1975	Lemke	.....	D13/148
D240,933 S *	8/1976	Lemke	.....	D13/148
D252,927 S *	9/1979	Harris et al.	.....	D13/148
D296,547 S *	7/1988	Sachs	.....	D13/148
4,932,877 A *	6/1990	Zinn	.....	439/839

D314,814 S *	2/1991	Lubeck	.....	D23/262
5,342,222 A *	8/1994	Tanaka	.....	439/708
D390,191 S *	2/1998	Byfield, Jr.	.....	D13/147
5,975,964 A *	11/1999	Seko et al.	.....	439/857
6,165,026 A *	12/2000	Sugie et al.	.....	439/748
D464,323 S *	10/2002	Harasawa et al.	.....	D13/154
D469,742 S *	2/2003	Michon et al.	.....	D13/151
D475,022 S *	5/2003	Kihira et al.	.....	D13/154
D495,662 S *	9/2004	Chawgo	.....	D13/156
2001/0002350 A1 *	5/2001	Kashiyama et al.	.....	439/848
2001/0024913 A1 *	9/2001	Kitamura	.....	439/852

\* cited by examiner

*Primary Examiner*—Daniel Bui

(74) *Attorney, Agent, or Firm*—Irving Keschner

(57) **CLAIM**

The ornamental design for a connector of the temperature sensor for oven range, as shown.

**DESCRIPTION**

FIG. 1 is a perspective view of a connector of the temperature sensor or oven range, showing my new invention;

FIG. 2 is a front elevational view thereof;

FIG. 3 is a rear elevational view thereof;

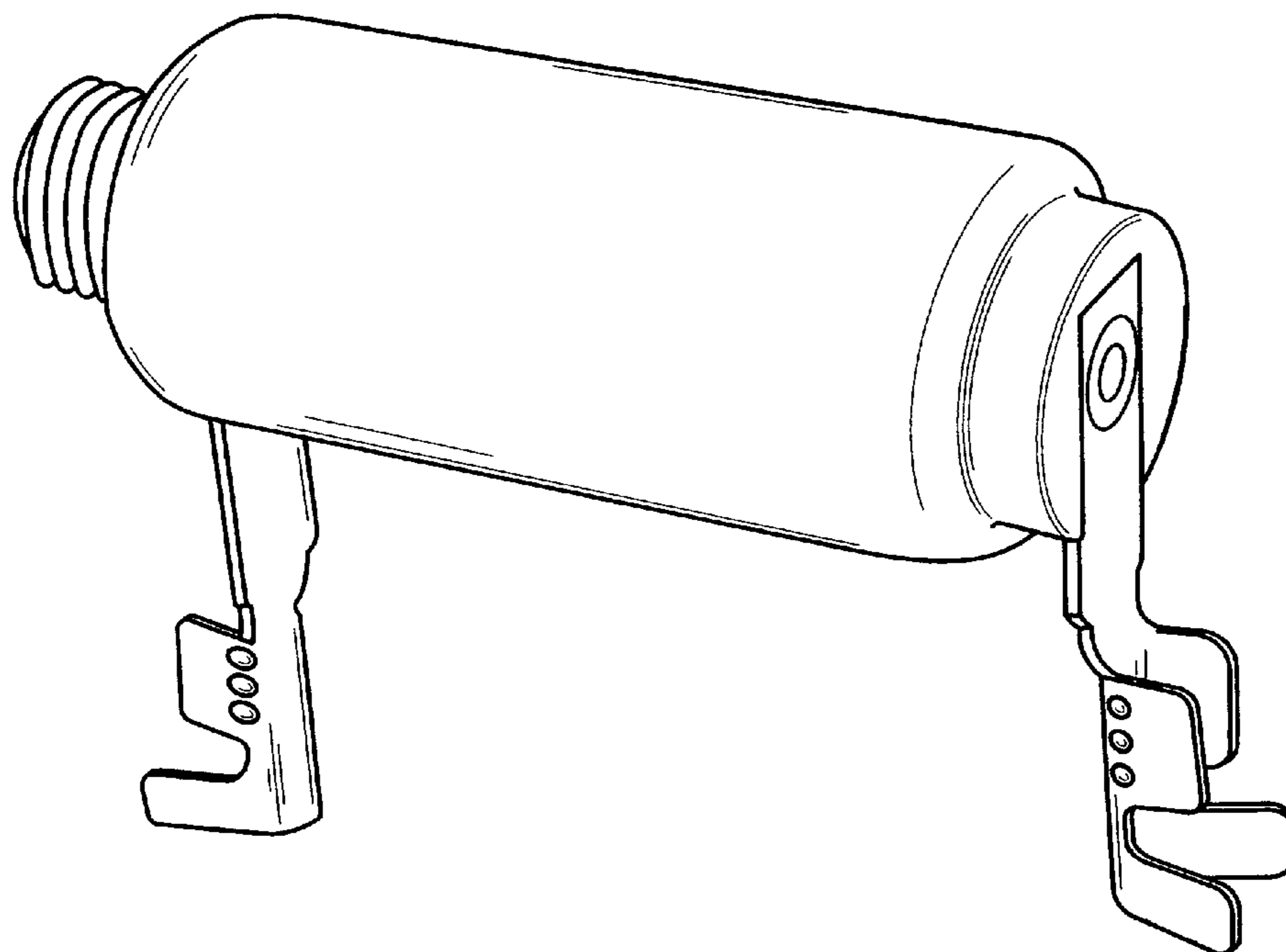
FIG. 4 is a left side elevational view thereof;

FIG. 5 is a right side elevational view thereof;

FIG. 6 is a top plan view thereof; and,

FIG. 7 is a bottom view thereof.

**1 Claim, 4 Drawing Sheets**



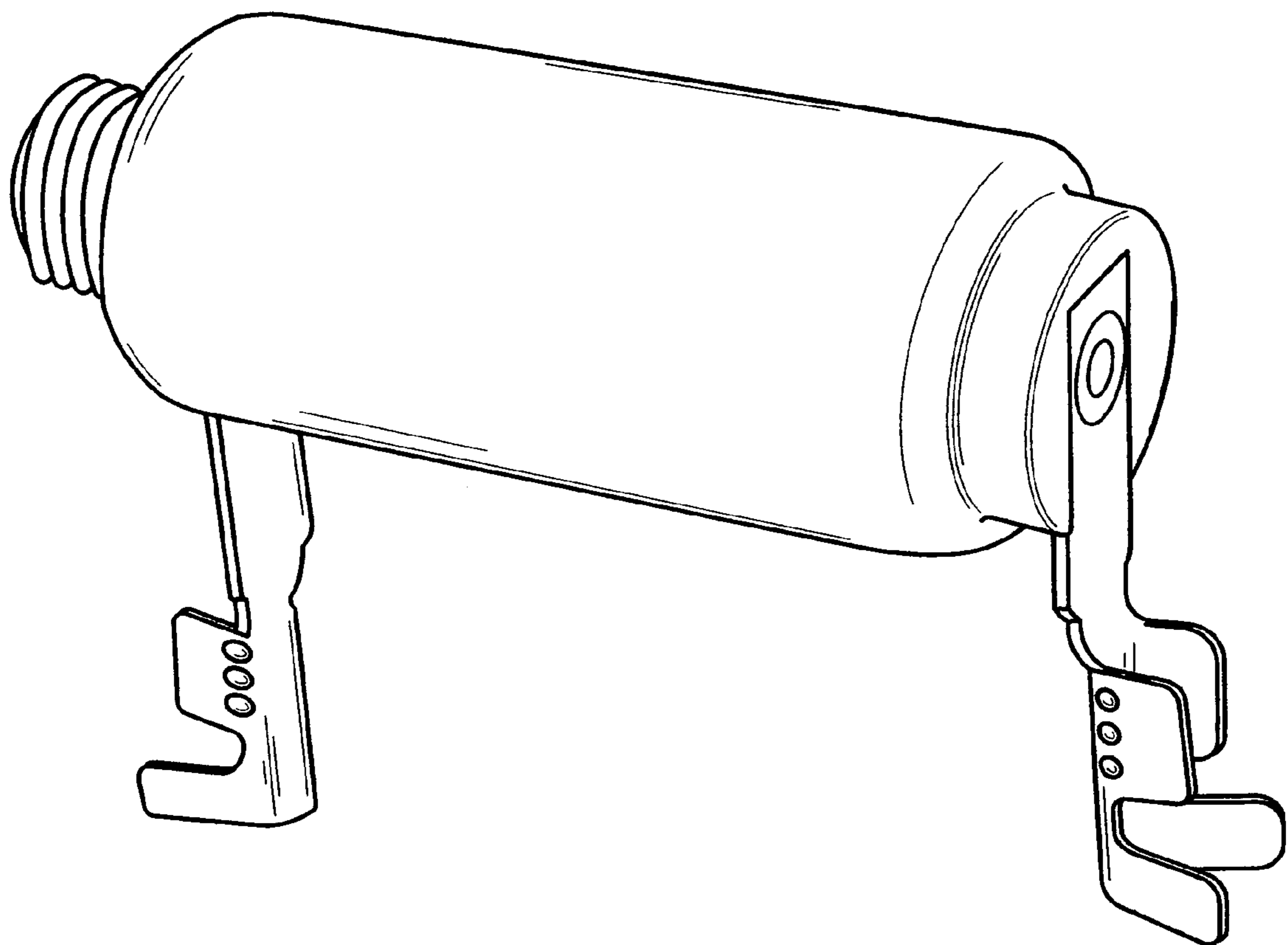


FIG. 1

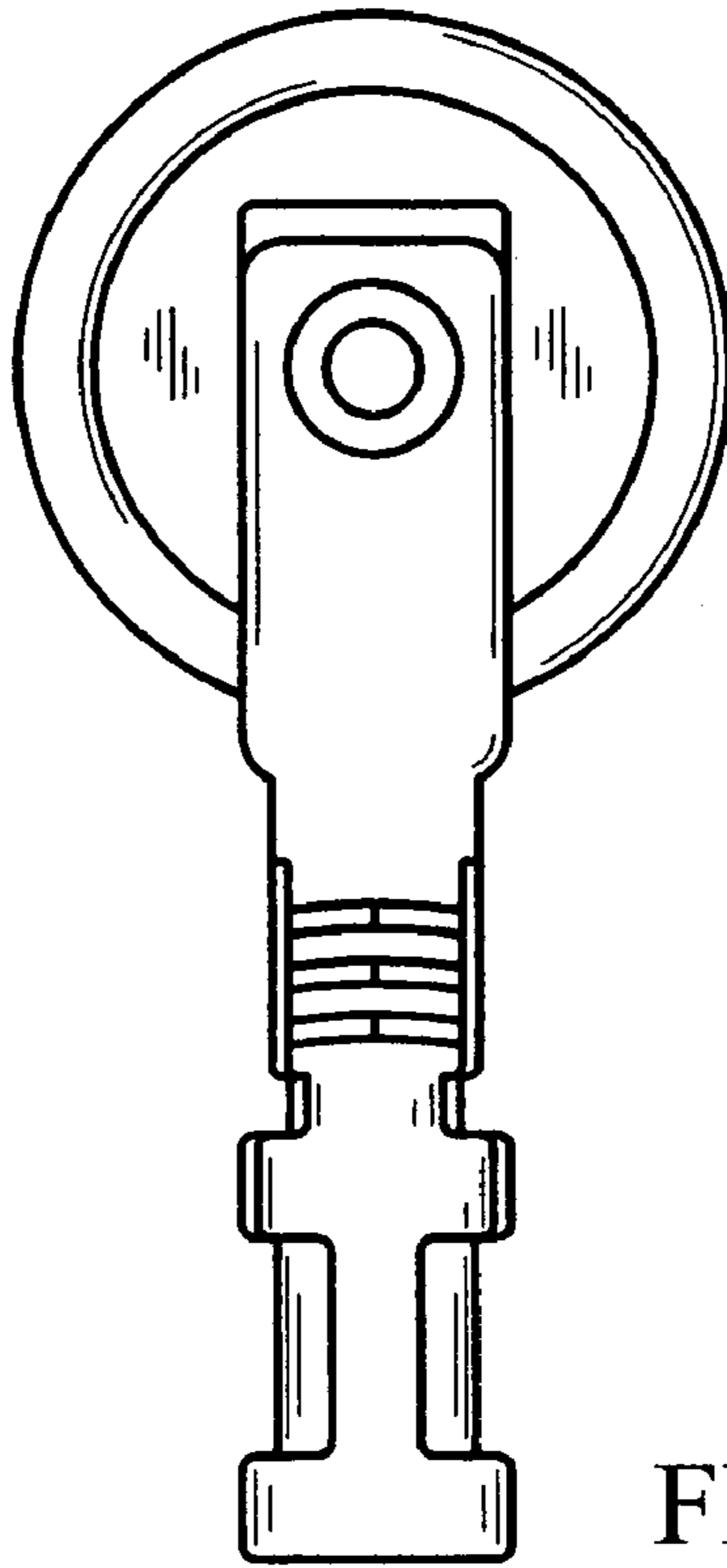


FIG. 2

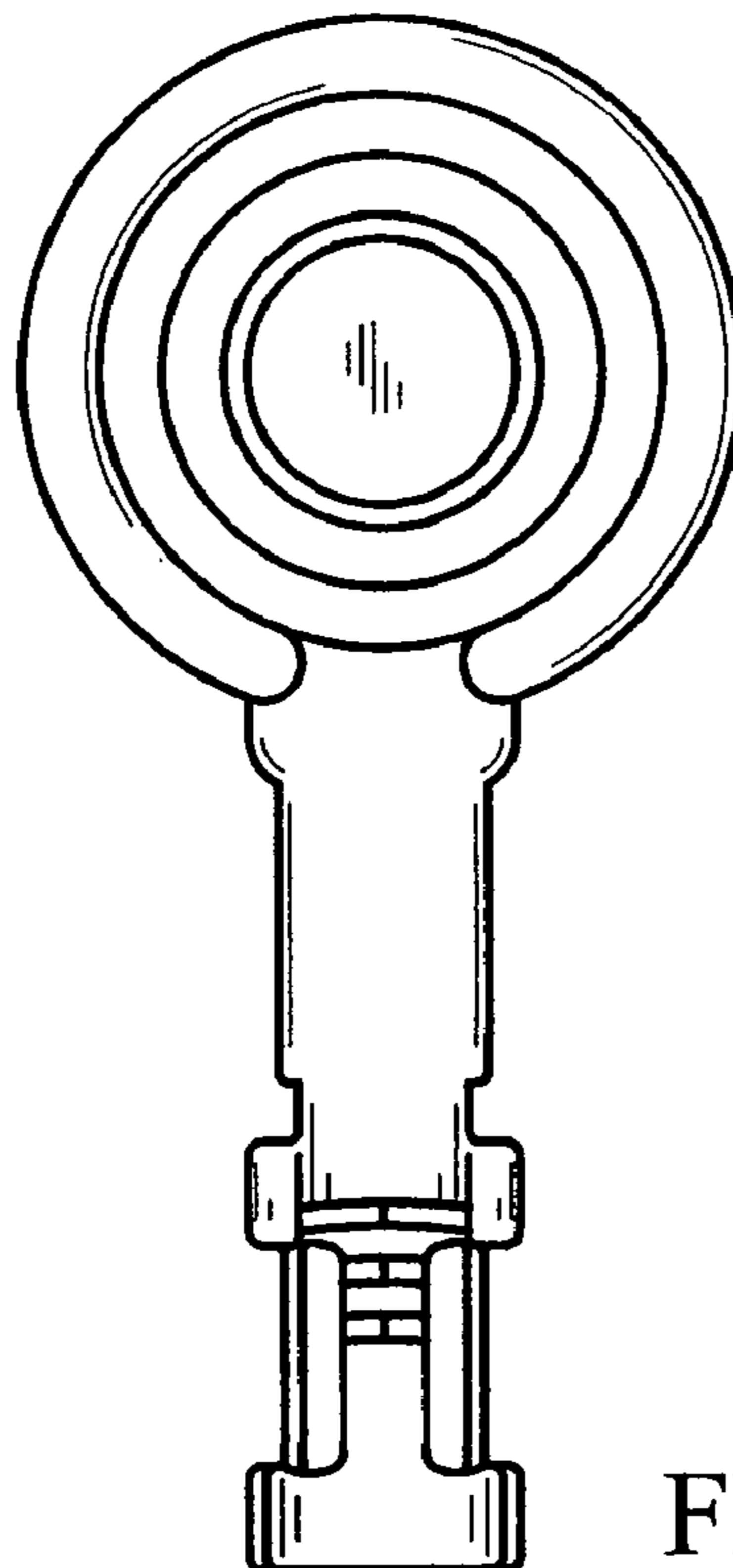


FIG. 3

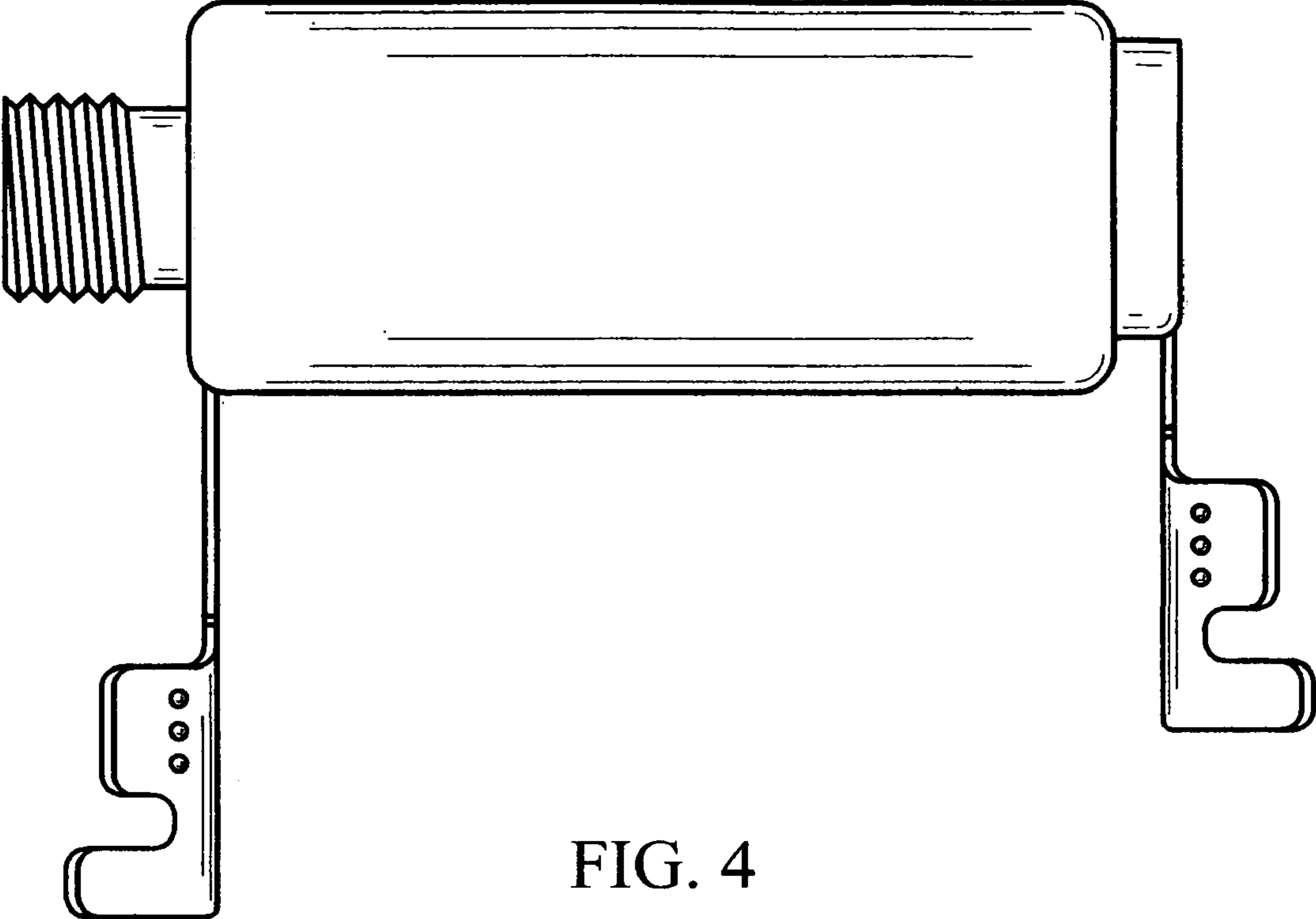


FIG. 4

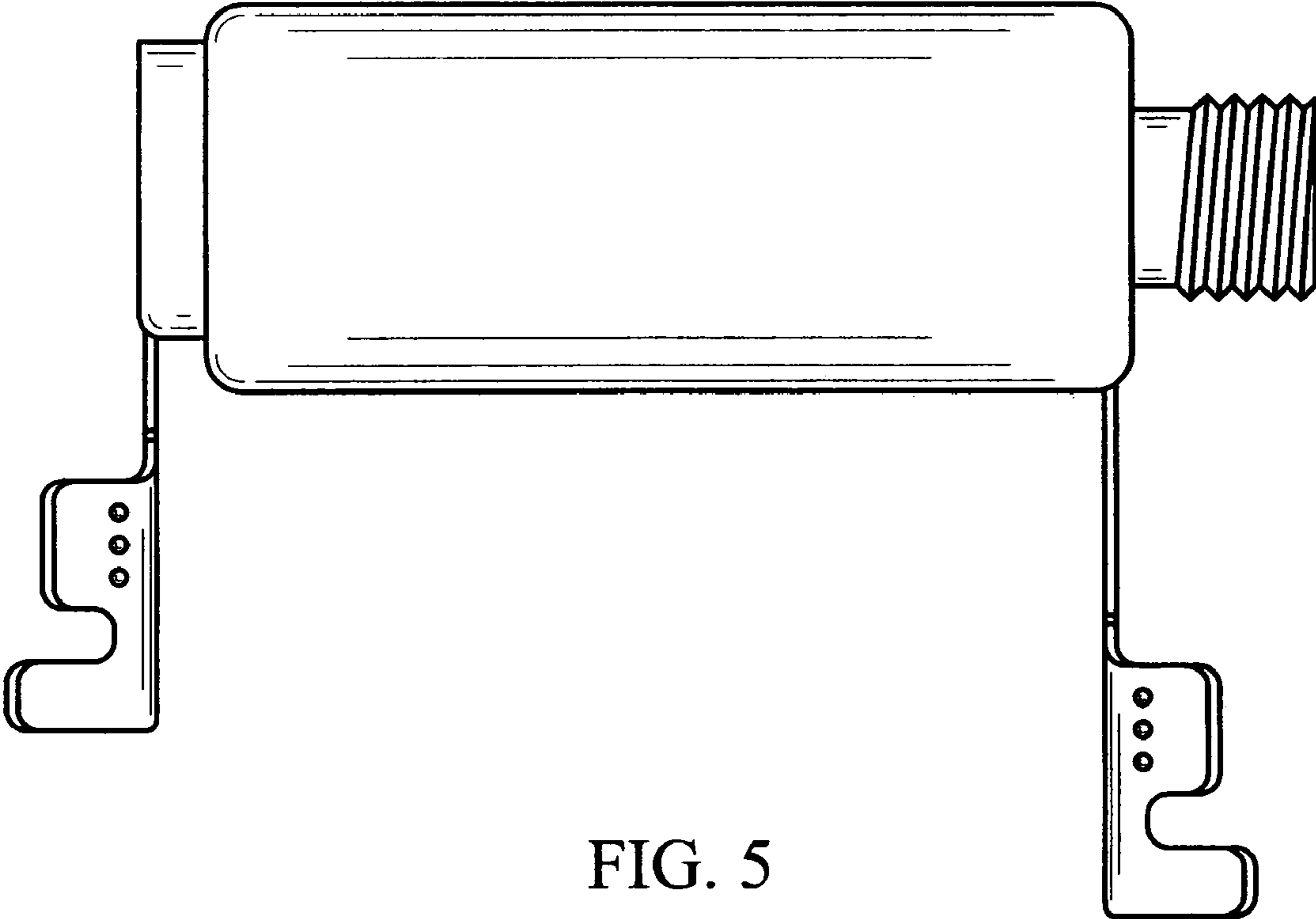


FIG. 5

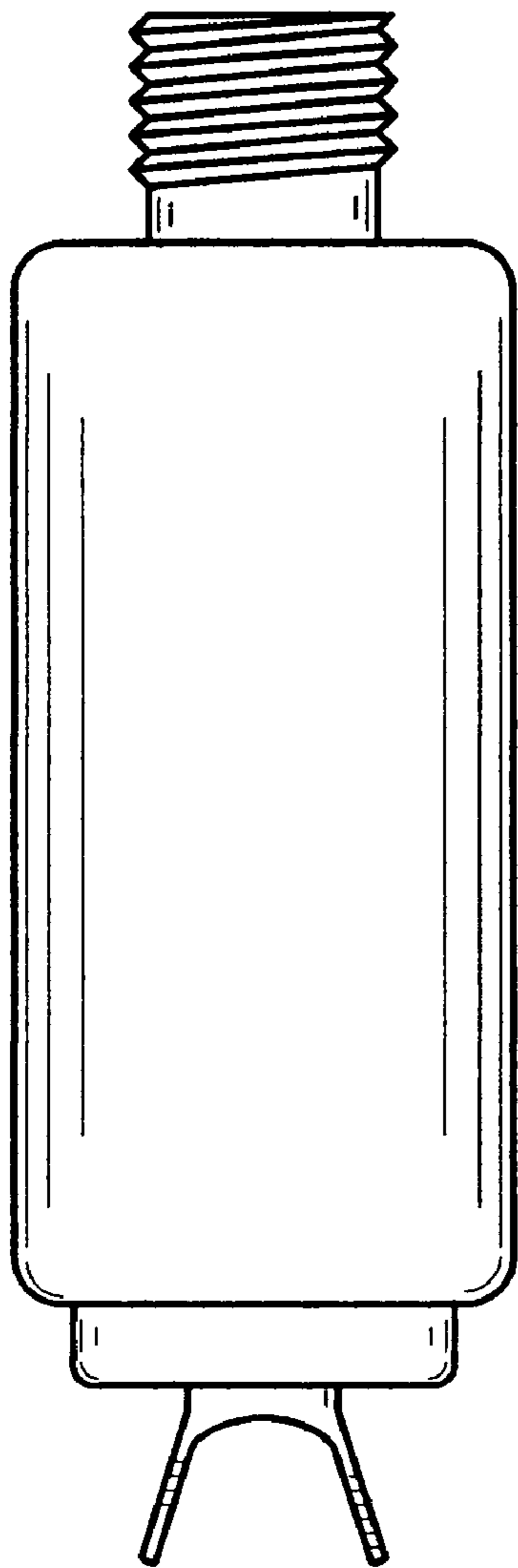


FIG. 6

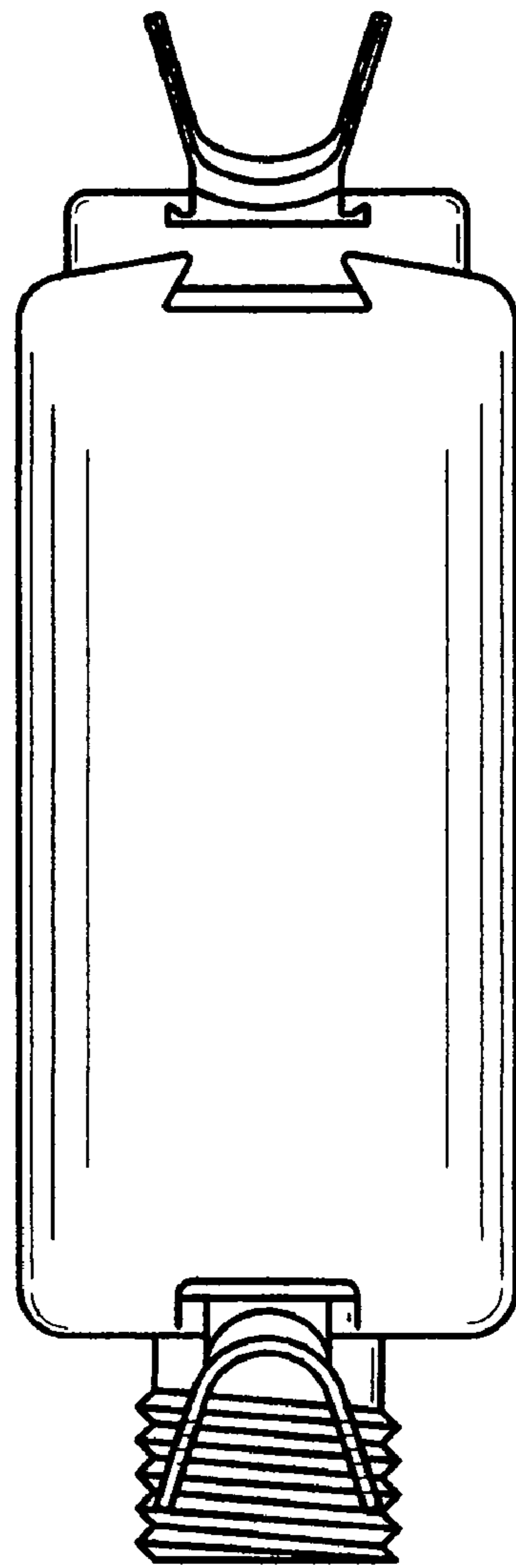


FIG. 7