



US00D555595S

(12) **United States Design Patent**
Yahagi et al.

(10) **Patent No.:** **US D555,595 S**

(45) **Date of Patent:** **** Nov. 20, 2007**

(54) **ELECTRICAL CONTACT FOR USE IN A
PLATING APPARATUS**

D519,931 S * 5/2006 Van Haaster D13/153
7,170,013 B2 * 1/2007 Lewis 174/354

(75) Inventors: **Mitsutoshi Yahagi**, Tokyo (JP);
Kenichi Abe, Tokyo (JP); **Yuji Araki**,
Tokyo (JP)

FOREIGN PATENT DOCUMENTS

JP 2005-029863 2/2005

* cited by examiner

(73) Assignee: **Ebara Corporation**, Tokyo (JP)

Primary Examiner—Daniel Bui

(**) Term: **14 Years**

(74) *Attorney, Agent, or Firm*—Wenderoth, Lind & Ponack,
L.L.P.

(21) Appl. No.: **29/270,692**

(57) **CLAIM**

(22) Filed: **Jan. 3, 2007**

The ornamental design for an electrical contact for use in a
plating apparatus, as shown and described.

(51) **LOC (8) Cl.** **13-03**

(52) **U.S. Cl.** **D13/148**

(58) **Field of Classification Search** D13/133,
D13/148, 154, 184, 199; 439/865, 868, 877-891,
439/894

See application file for complete search history.

DESCRIPTION

FIG. 1 is a perspective view of an electrical contact for use
in a plating apparatus in accordance with the present design;

FIG. 2 is a front view thereof;

FIG. 3 is a back view thereof;

FIG. 4 is a plan view thereof;

FIG. 5 is a bottom plan view thereof;

FIG. 6 is a left side view thereof; and,

FIG. 7 is a right side view thereof.

(56) **References Cited**

U.S. PATENT DOCUMENTS

D296,547 S * 7/1988 Sachs D13/148
5,043,528 A * 8/1991 Mohr 174/355
D354,268 S * 1/1995 Siemon et al. D13/133
6,534,706 B1 * 3/2003 Rapp et al. 174/354
6,830,667 B2 12/2004 Yamamoto

1 Claim, 4 Drawing Sheets

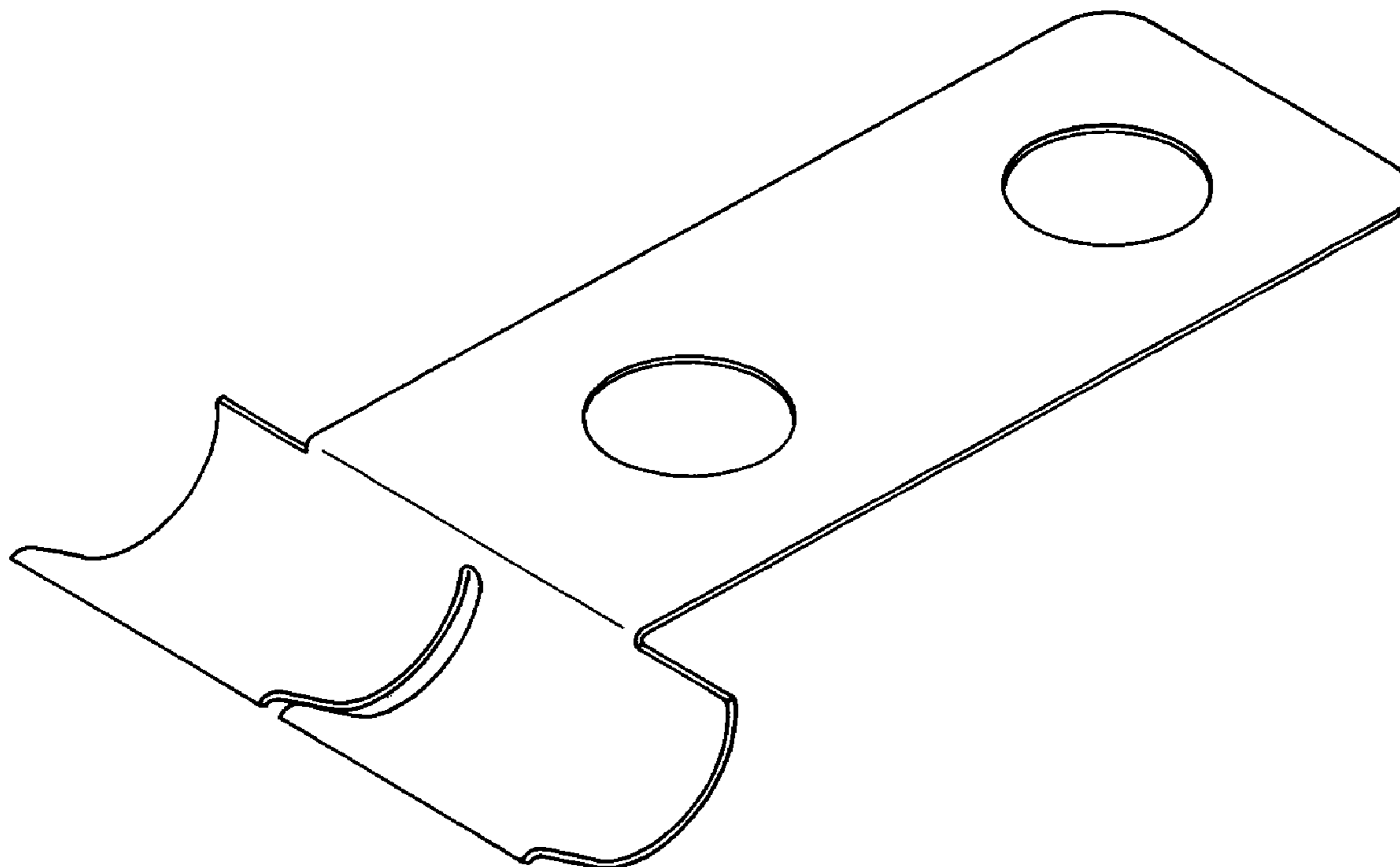


FIG. 1

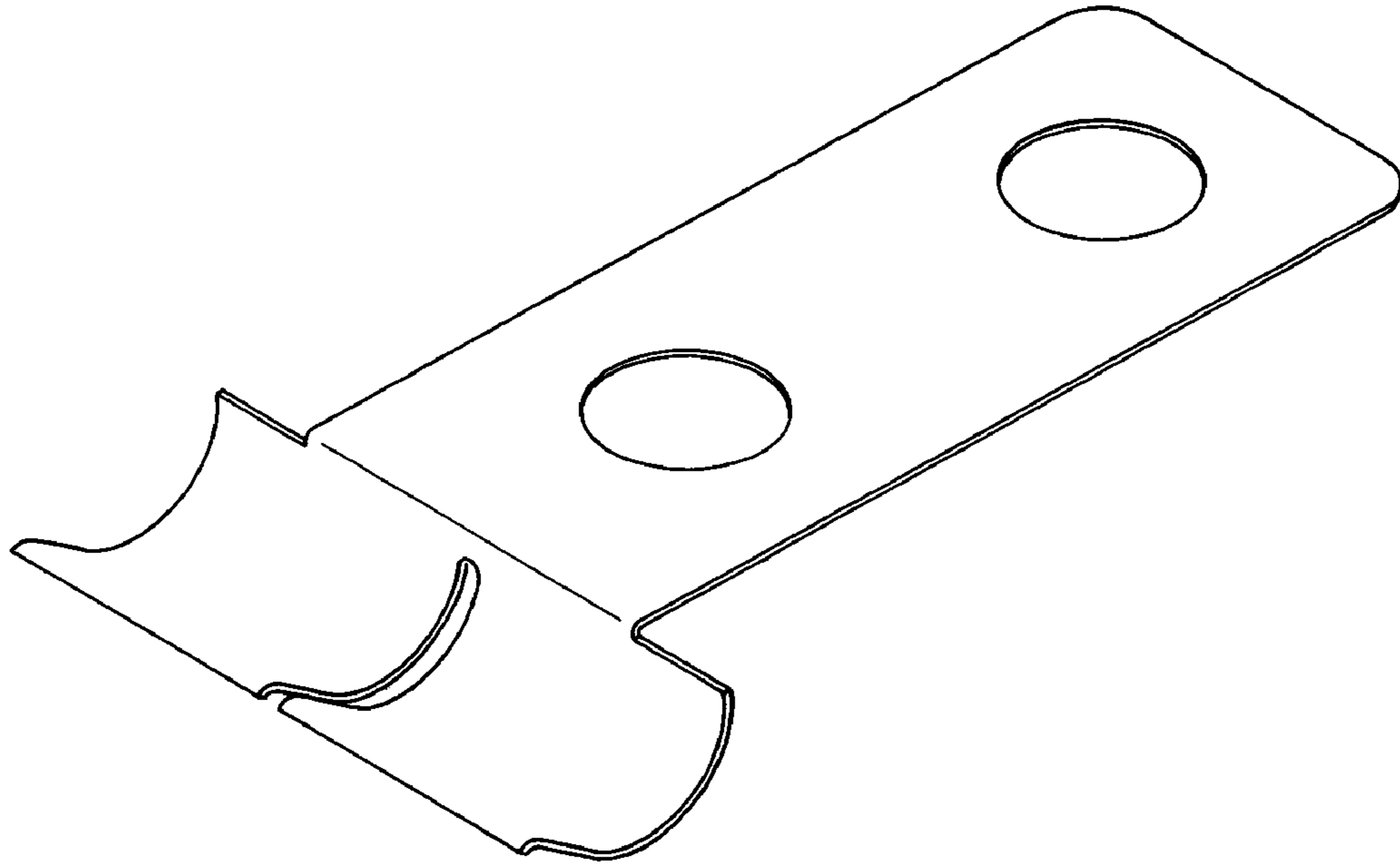


FIG. 2

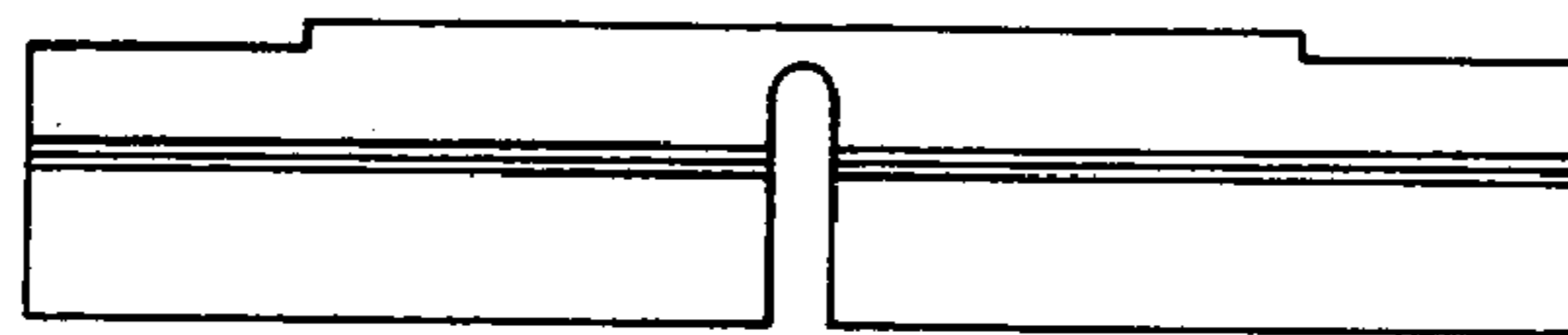


FIG. 3

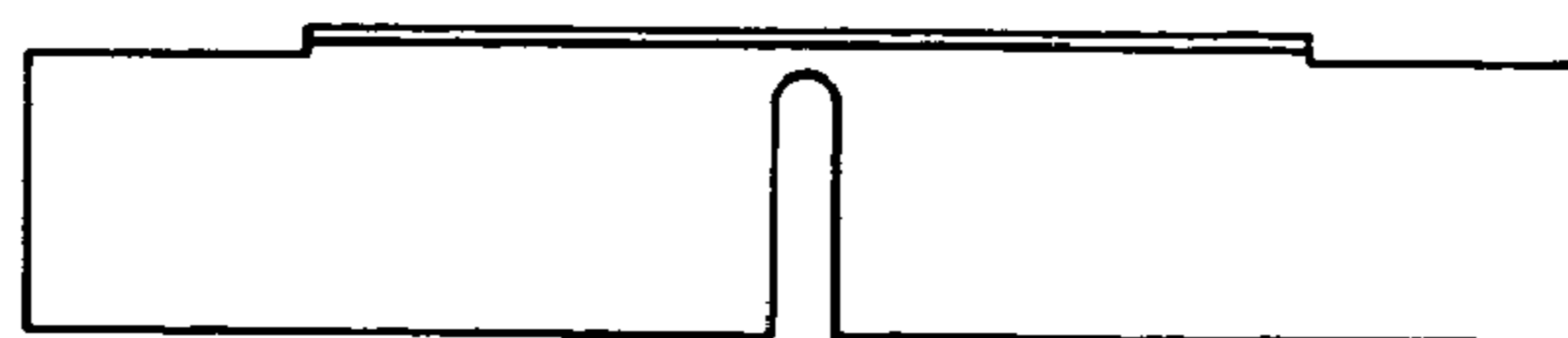


FIG. 4

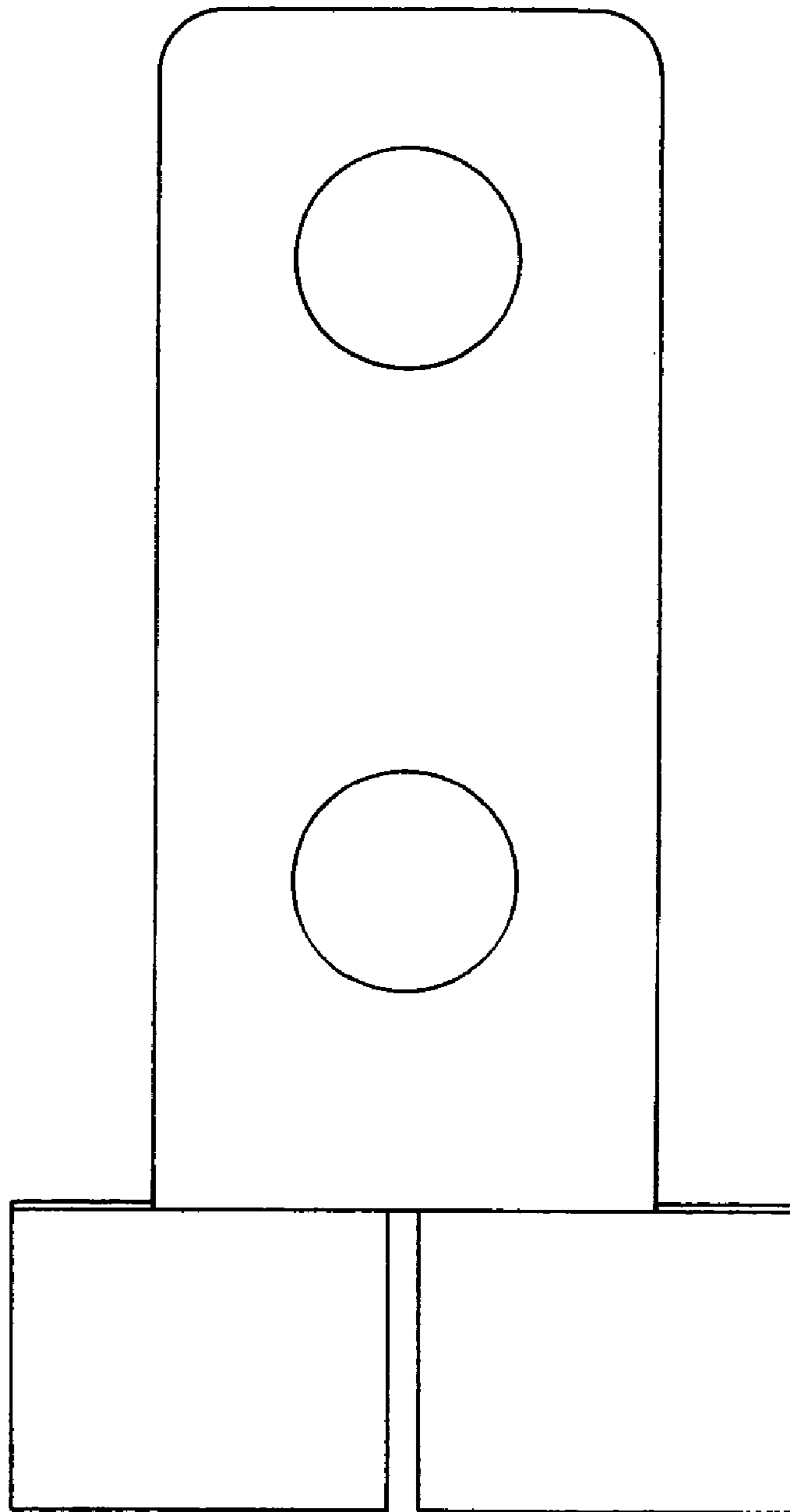


FIG. 5

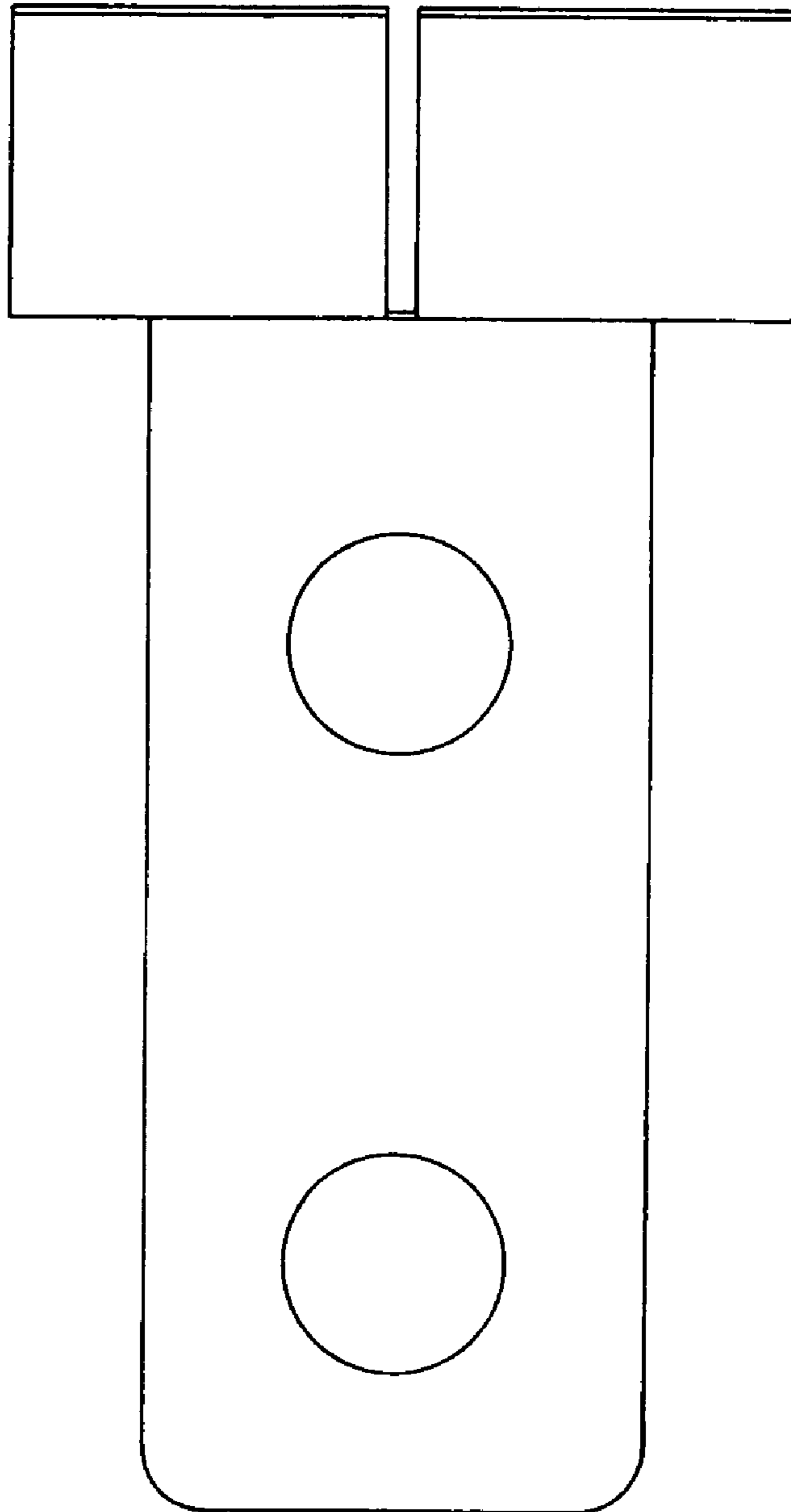


FIG. 6

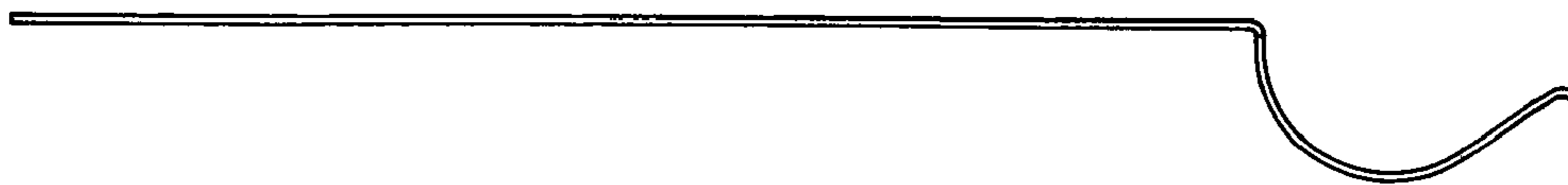


FIG. 7

