



US00D555592S

(12) **United States Design Patent**
Nozaki et al.

(10) **Patent No.:** **US D555,592 S**

(45) **Date of Patent:** **** Nov. 20, 2007**

(54) **HYDRAULIC GENERATOR**

(75) Inventors: **Takashi Nozaki**, Ise (JP); **Yoshinori Takahashi**, Ise (JP); **Nobuhiro Saito**, Ise (JP); **Hideki Sakurai**, Ise (JP); **Akira Ishikura**, Ise (JP); **Tsuyoshi Muraoka**, Ise (JP)

(73) Assignee: **Shinko Electric Co., Ltd.**, Tokyo (JP)

(**) Term: **14 Years**

(21) Appl. No.: **29/262,734**

(22) Filed: **Jul. 11, 2006**

(30) **Foreign Application Priority Data**

Jan. 11, 2006 (JP) 2006-000305

(51) **LOC (8) Cl.** **13-01**

(52) **U.S. Cl.** **D13/114**

(58) **Field of Classification Search** D13/114,
D13/112, 122; 290/1 A; 361/679, 725, 727,
361/730

See application file for complete search history.

(56) **References Cited**

U.S. PATENT DOCUMENTS

D194,490 S * 1/1963 Winslow et al. D15/1

D285,077 S * 8/1986 Moody D15/1
D309,288 S * 7/1990 Haverly D13/114
D416,537 S * 11/1999 Imai et al. D13/116
6,039,009 A * 3/2000 Hirose 123/2
6,492,740 B2 * 12/2002 Suzuki 290/1 A
D494,928 S * 8/2004 Fan D13/112

* cited by examiner

Primary Examiner—Stella Reid

Assistant Examiner—Derrick Holland

(74) *Attorney, Agent, or Firm*—Steptoe & Johnson LLP

(57) **CLAIM**

The ornamental design for a hydraulic generator, as shown and described.

DESCRIPTION

FIG. 1 is a perspective view of a hydraulic generator.

FIG. 2 is a front elevation view thereof.

FIG. 3 is a rear elevation view thereof.

FIG. 4 is a top plan view thereof.

FIG. 5 is a bottom plan view thereof

FIG. 6 is a left side elevation view thereof; and,

FIG. 7 is a right side elevation view thereof.

1 Claim, 7 Drawing Sheets

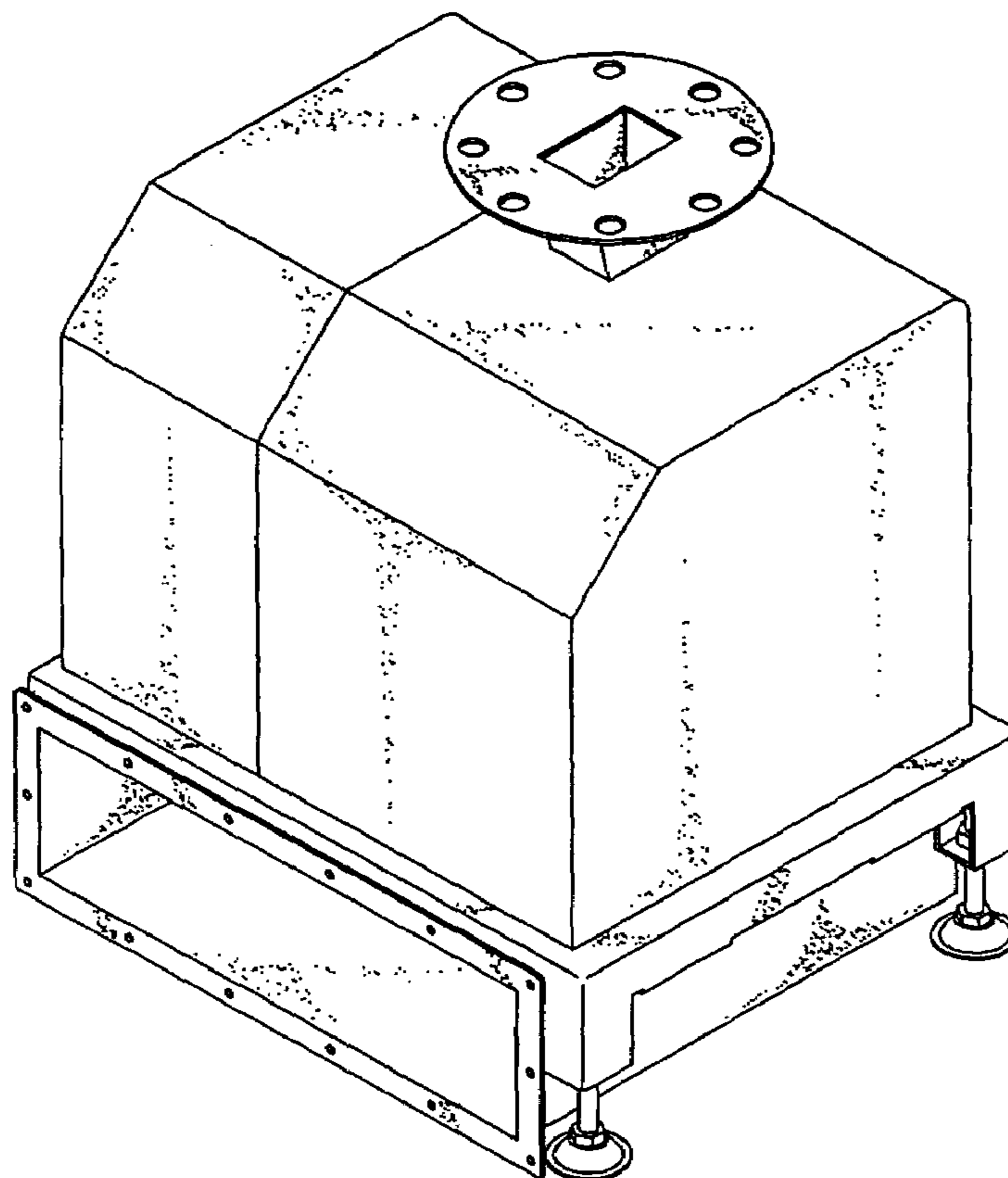


FIG. 1

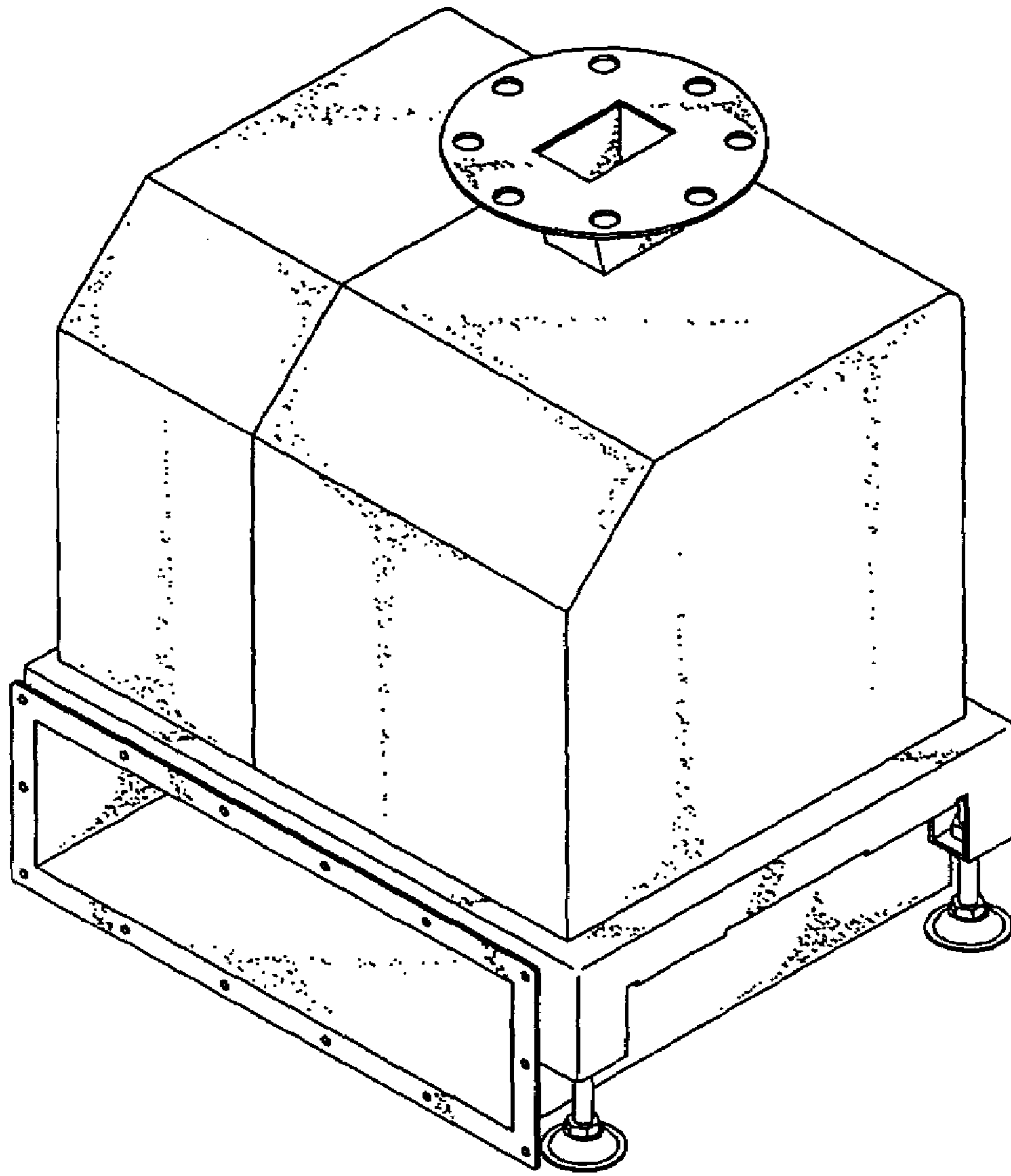


FIG. 2

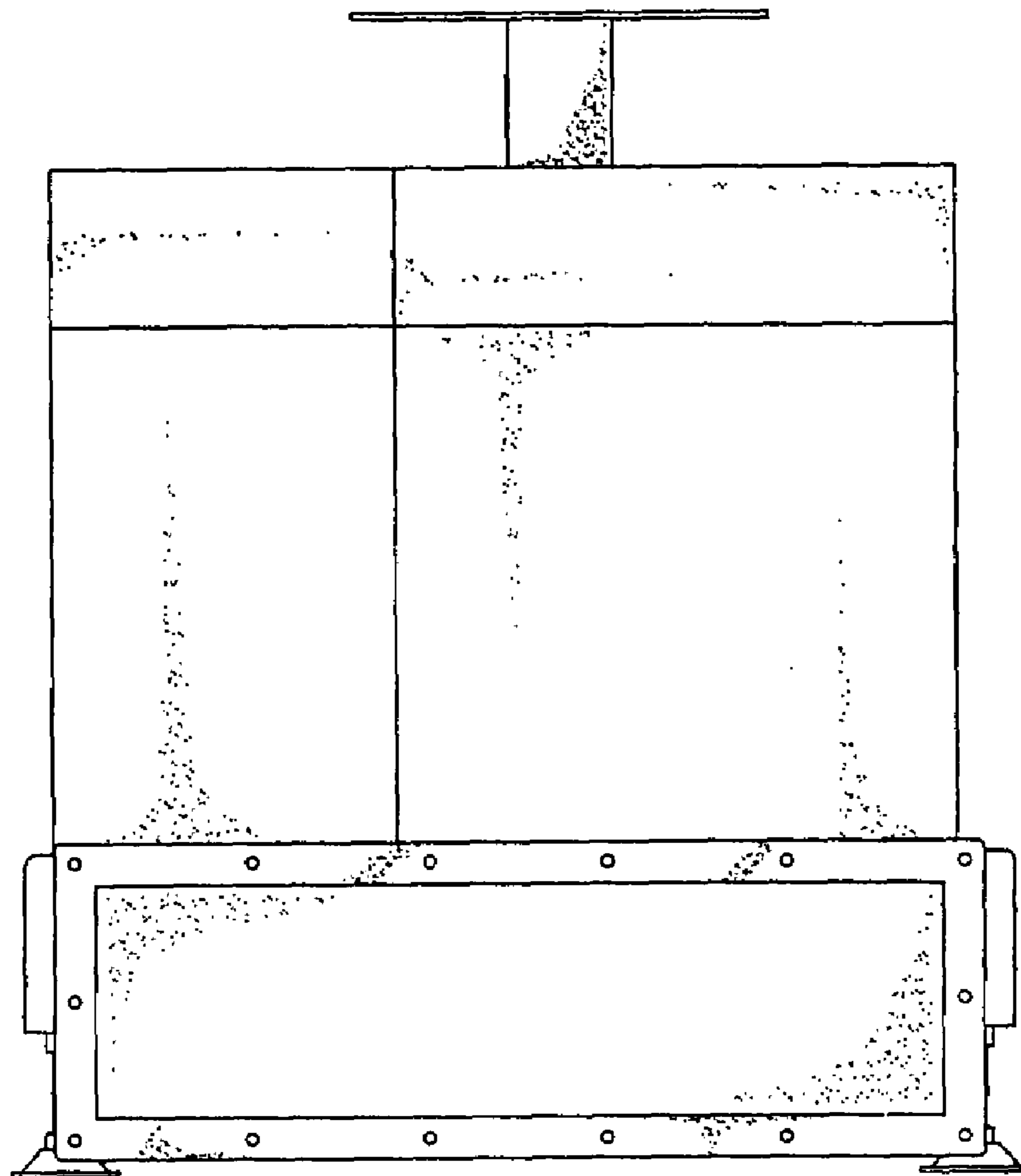


FIG. 3

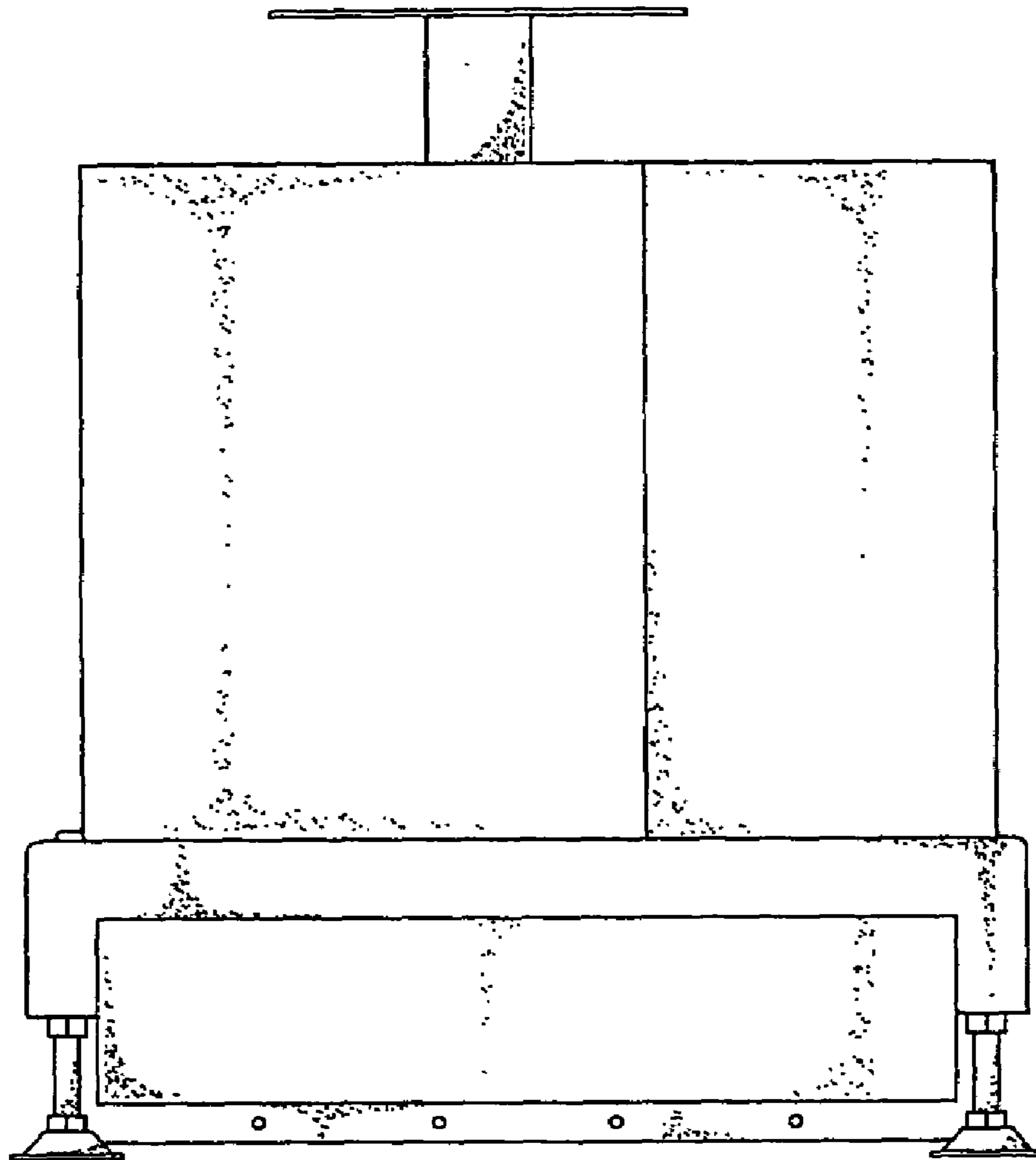


FIG. 4

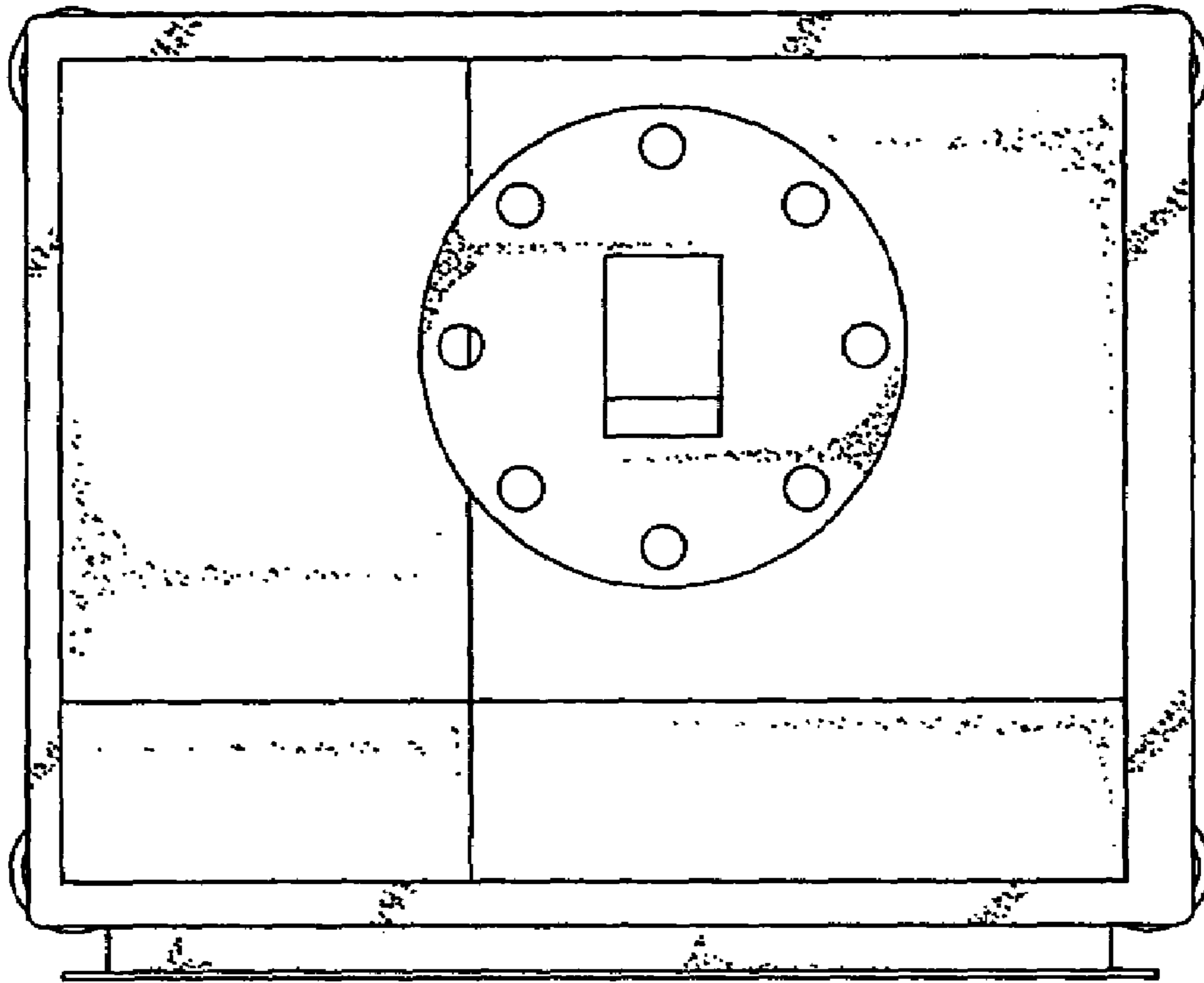


FIG. 5

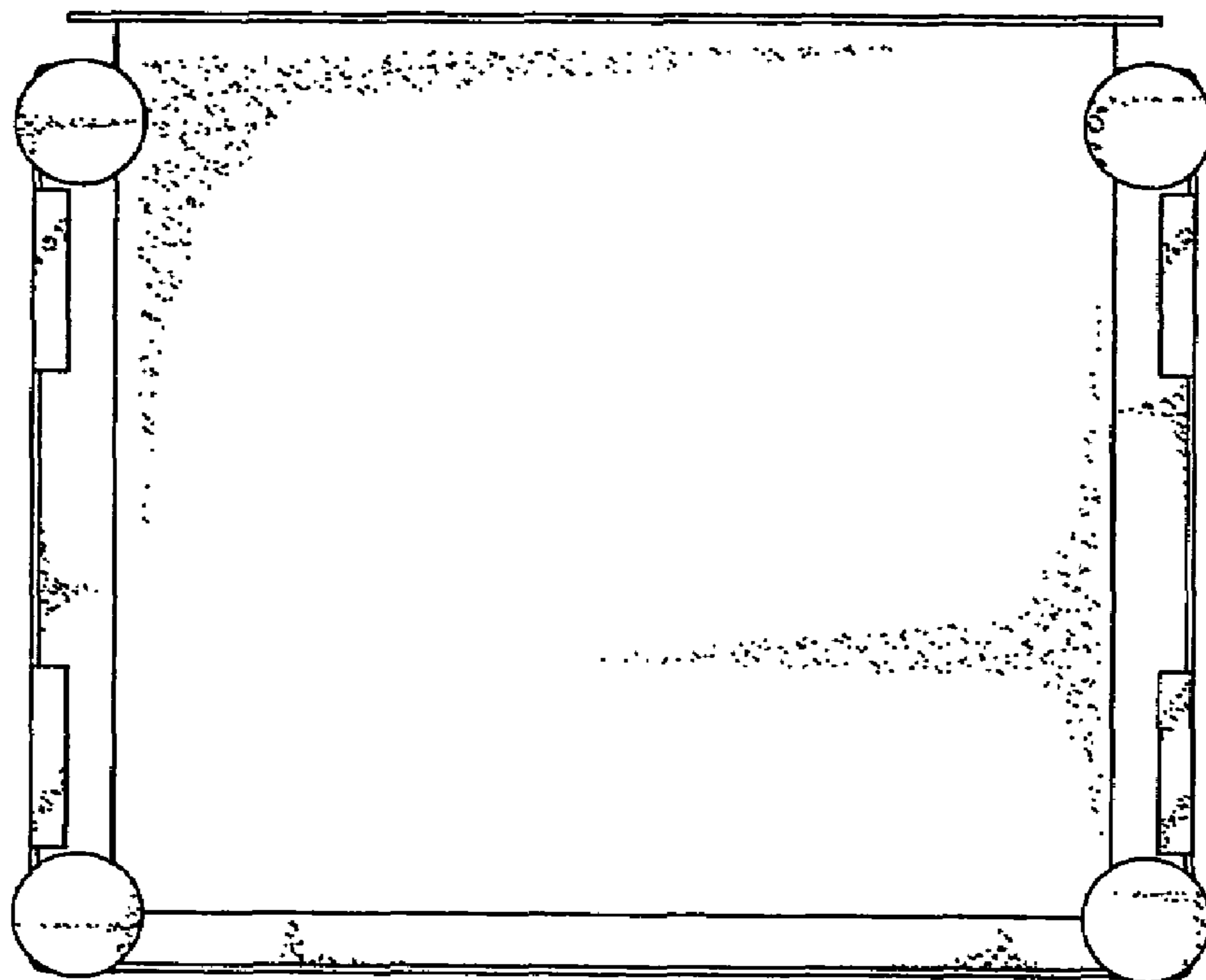


FIG. 6

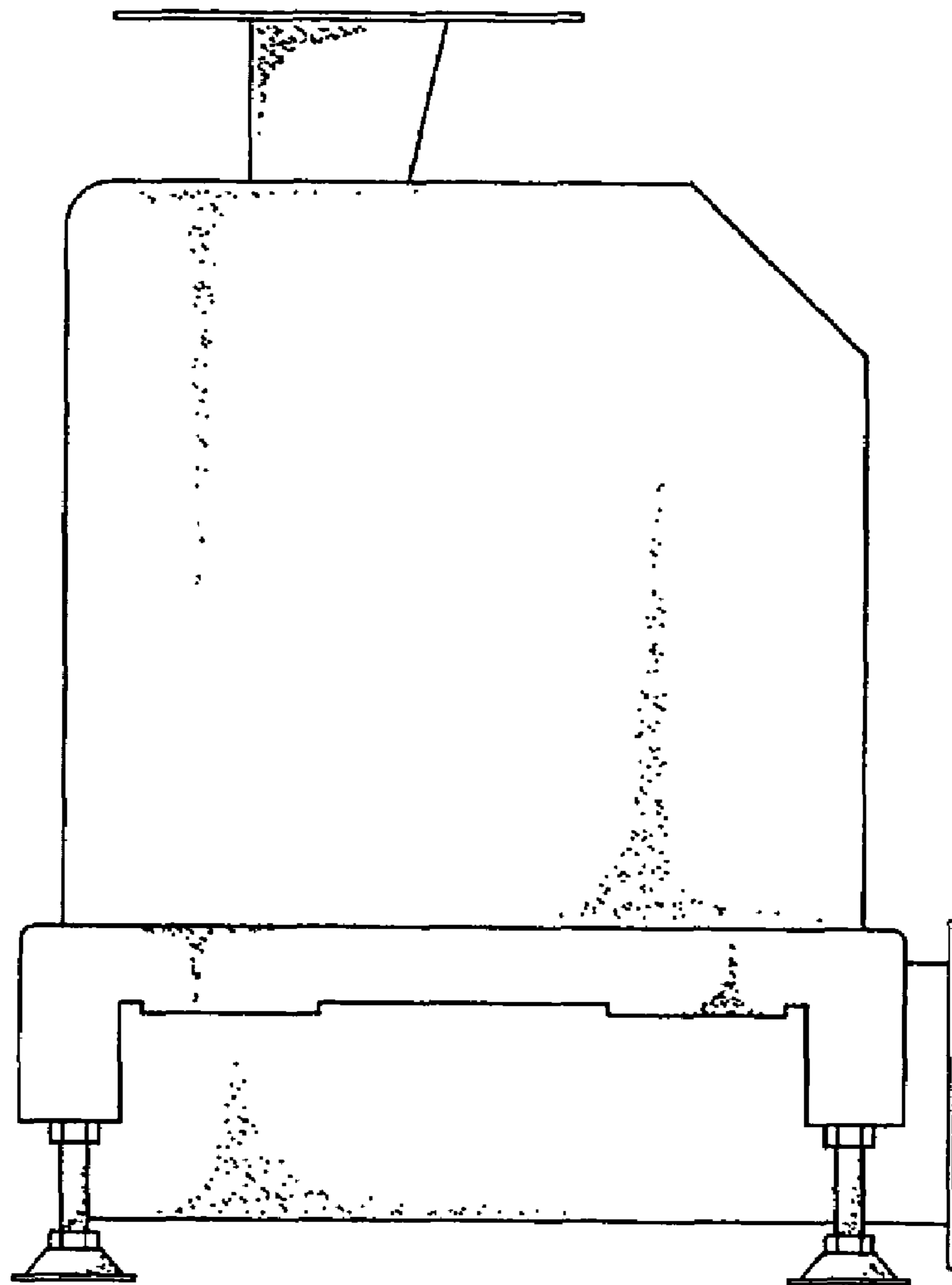


FIG. 7

