



US00D555589S

(12) **United States Design Patent**
Hussaini et al.

(10) **Patent No.:** **US D555,589 S**

(45) **Date of Patent:** **** Nov. 20, 2007**

(54) **BATTERY CHARGER AND GAME
CONTROLLER CRADLE**

(75) Inventors: **Saied Hussaini**, Miami, FL (US); **Marc
Iacovelli**, Miami, FL (US)

(73) Assignee: **Intec, inc.**, Miami, FL (US)

(**) Term: **14 Years**

(21) Appl. No.: **29/271,592**

(22) Filed: **Jan. 23, 2007**

(51) **LOC (8) Cl.** **13-02**

(52) **U.S. Cl.** **D13/108**

(58) **Field of Classification Search** D13/107-110,
D13/118-119, 184; D14/251, 253, 432,
D14/434; 320/107-115

See application file for complete search history.

(56) **References Cited**

U.S. PATENT DOCUMENTS

| | | | | |
|--------------|---------|----------------|-------|---------|
| D215,303 S * | 9/1969 | Carpenter | | D13/108 |
| D306,594 S * | 3/1990 | Taylor | | D14/253 |
| D361,763 S * | 8/1995 | Nagele et al. | | D14/144 |
| D399,821 S * | 10/1998 | Tyneski et al. | | D13/118 |
| D428,387 S * | 7/2000 | Malloy et al. | | D13/107 |
| D435,042 S * | 12/2000 | Sun | | D14/253 |
| D445,975 S * | 7/2001 | Stratford | | D32/31 |
| D472,896 S * | 4/2003 | Peiker | | D14/253 |
| D515,029 S * | 2/2006 | Hattori | | D13/108 |
| D534,862 S * | 1/2007 | Aguilar | | D13/108 |

* cited by examiner

Primary Examiner—Cathron C. Brooks

Assistant Examiner—Rosemary K. Tarcza

(74) *Attorney, Agent, or Firm*—Berenato, White & Stavish

(57) **CLAIM**

The ornamental design for a battery charger and game controller cradle, as shown and described.

DESCRIPTION

FIG. 1 is a perspective view of the battery charger and game controller cradle according to the present invention.

FIG. 2 is a front view of the battery charger and game controller cradle of FIG. 1.

FIG. 3 is a back view of the battery charger and game controller cradle of FIG. 1.

FIG. 4 is a right view of the battery charger and game controller cradle of FIG. 1.

FIG. 5 is a left view of the battery charger and game controller cradle of FIG. 1.

FIG. 6 is a top side view of the battery charger and game controller cradle of FIG. 1.

FIG. 7 is a bottom view of the battery charger and game controller cradle of FIG. 1; and,

FIG. 8 is an alternate top view of the battery charger and game controller cradle of FIG. 6 shown with associated battery and controller in dashed lines.

Portions of the design shown in dashed lines form no part of the claimed invention.

1 Claim, 5 Drawing Sheets

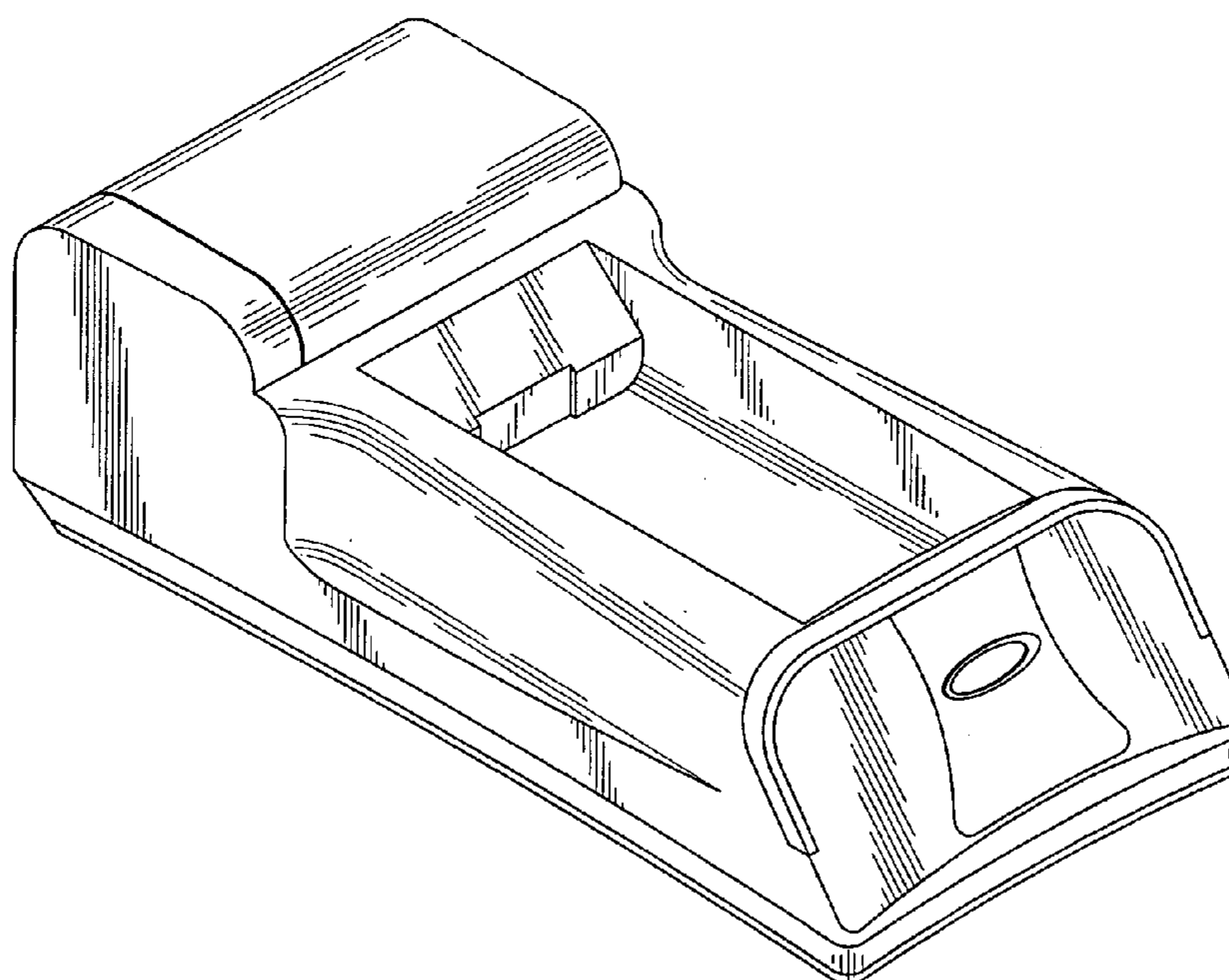


Fig. 1

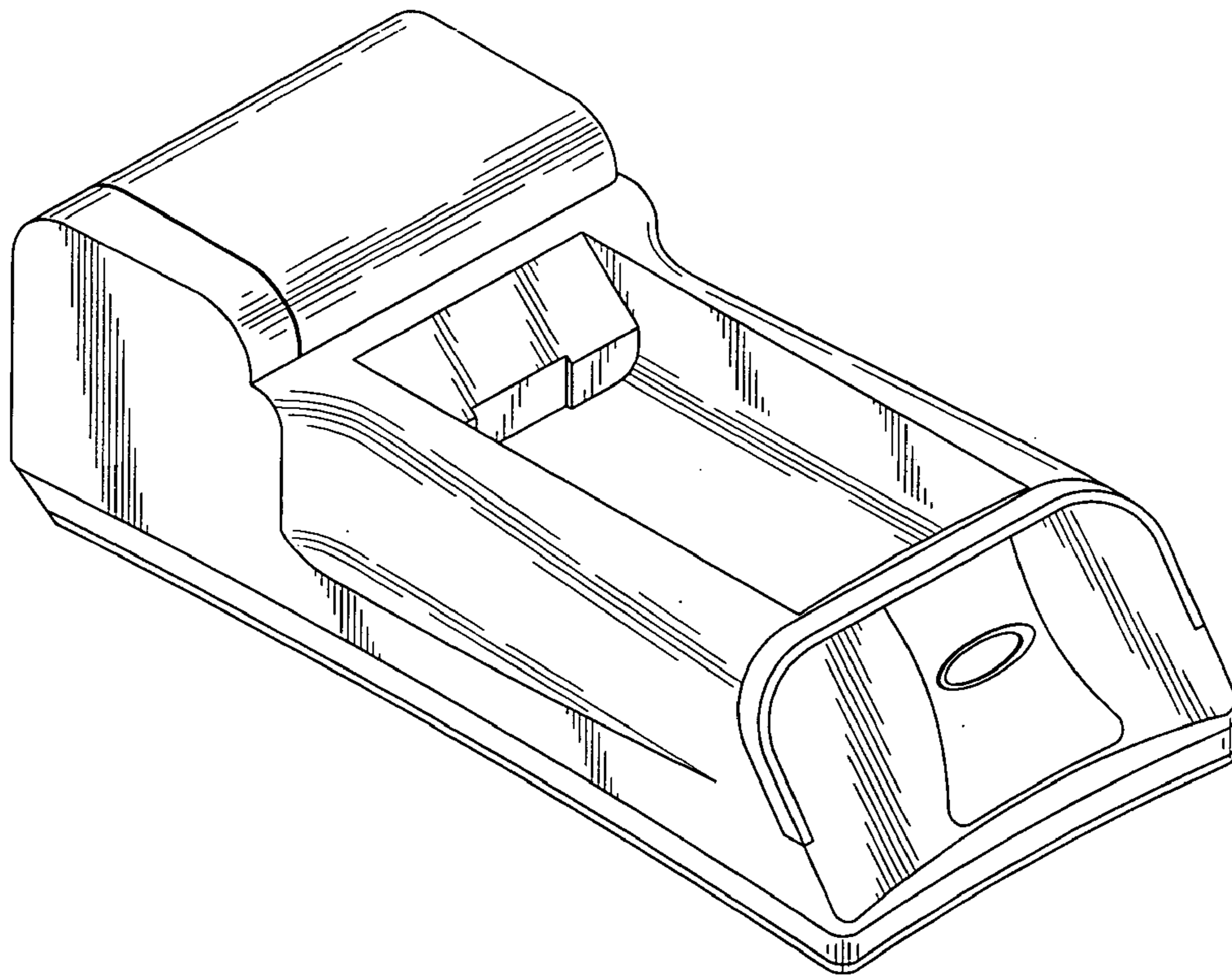


Fig. 2

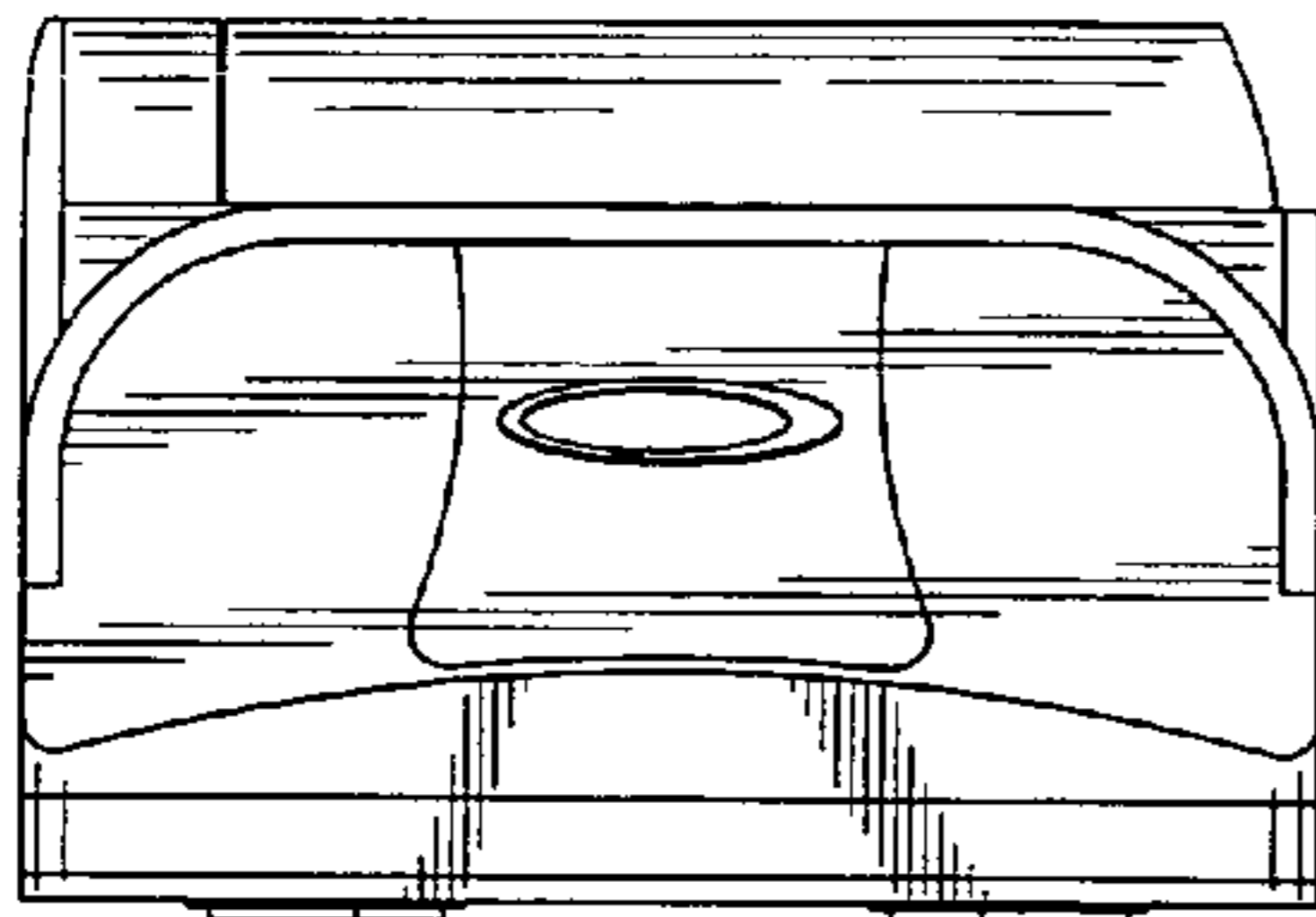


Fig. 3

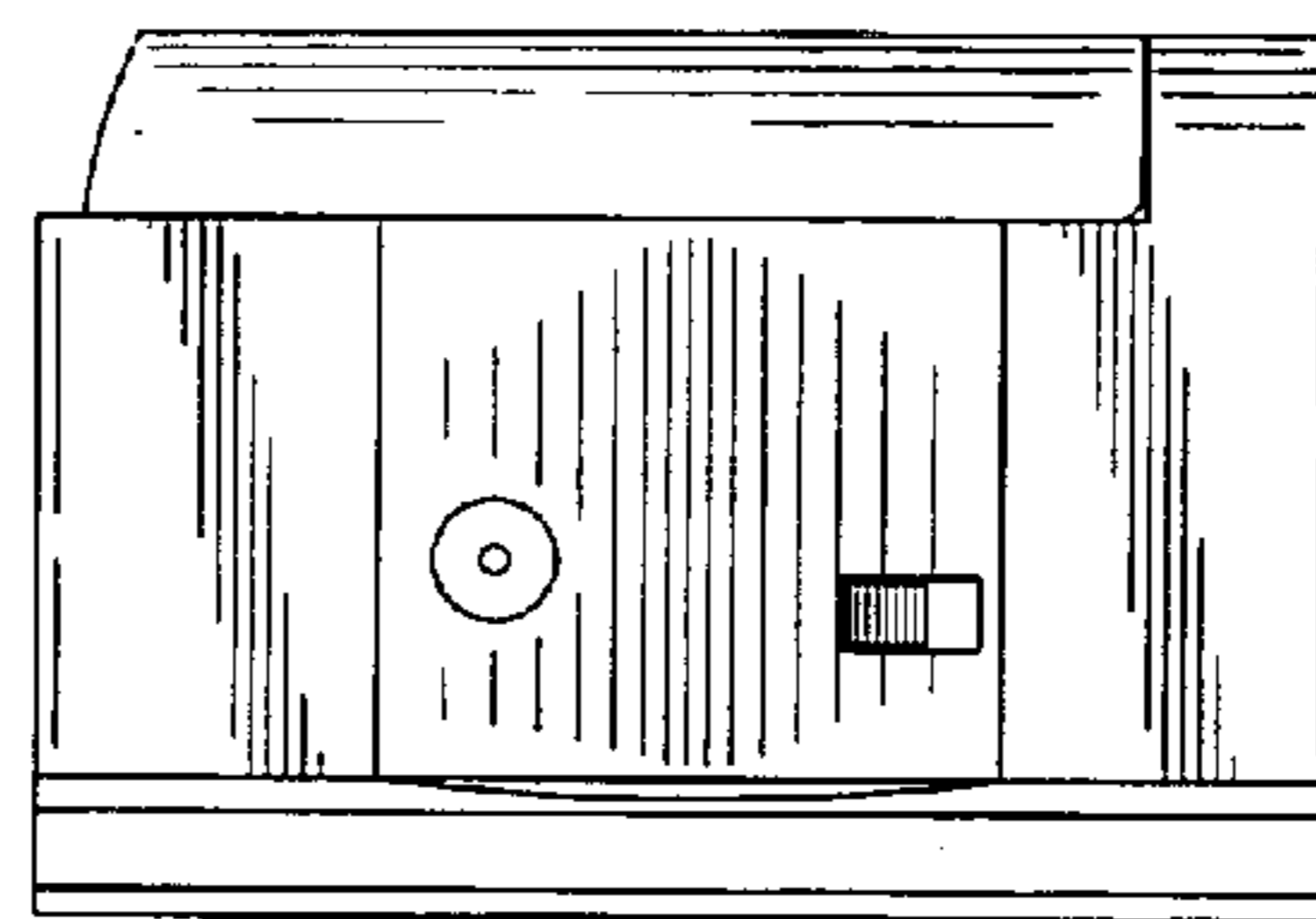


Fig. 4

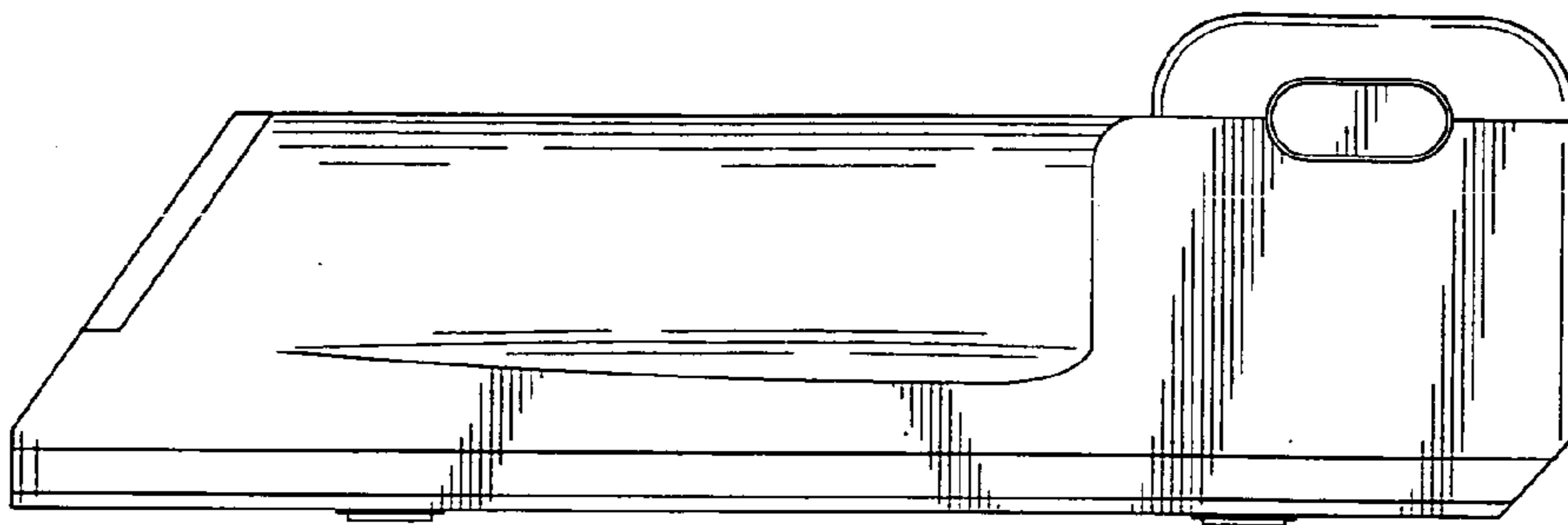


Fig. 5

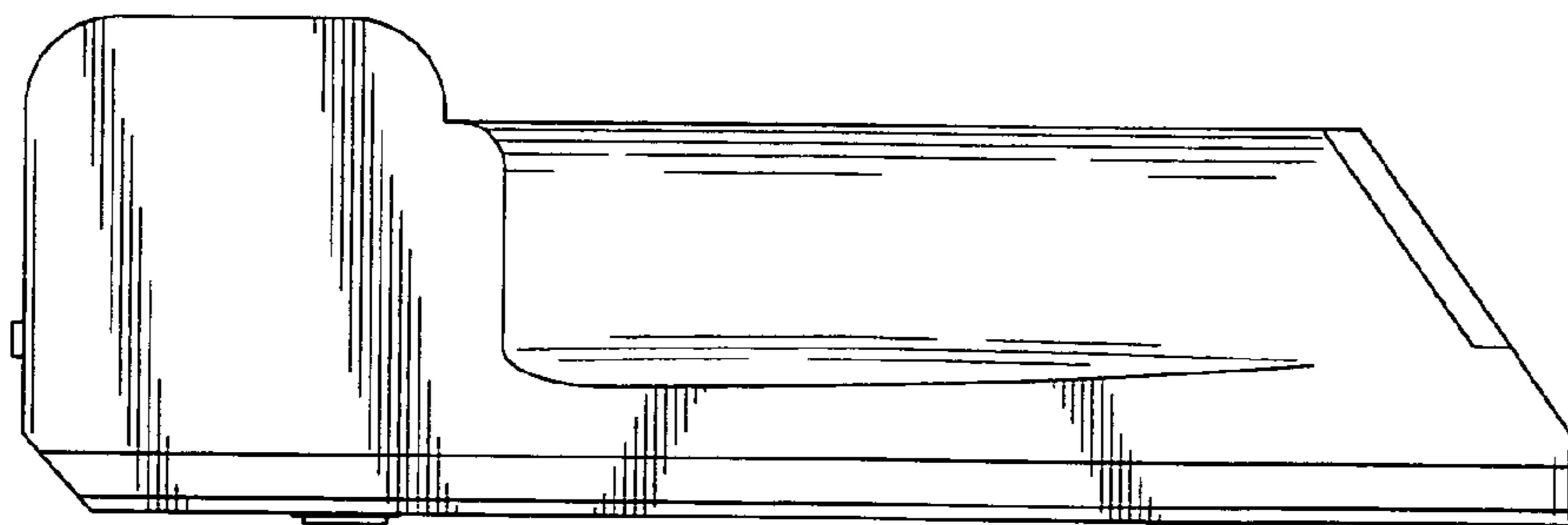


Fig. 6

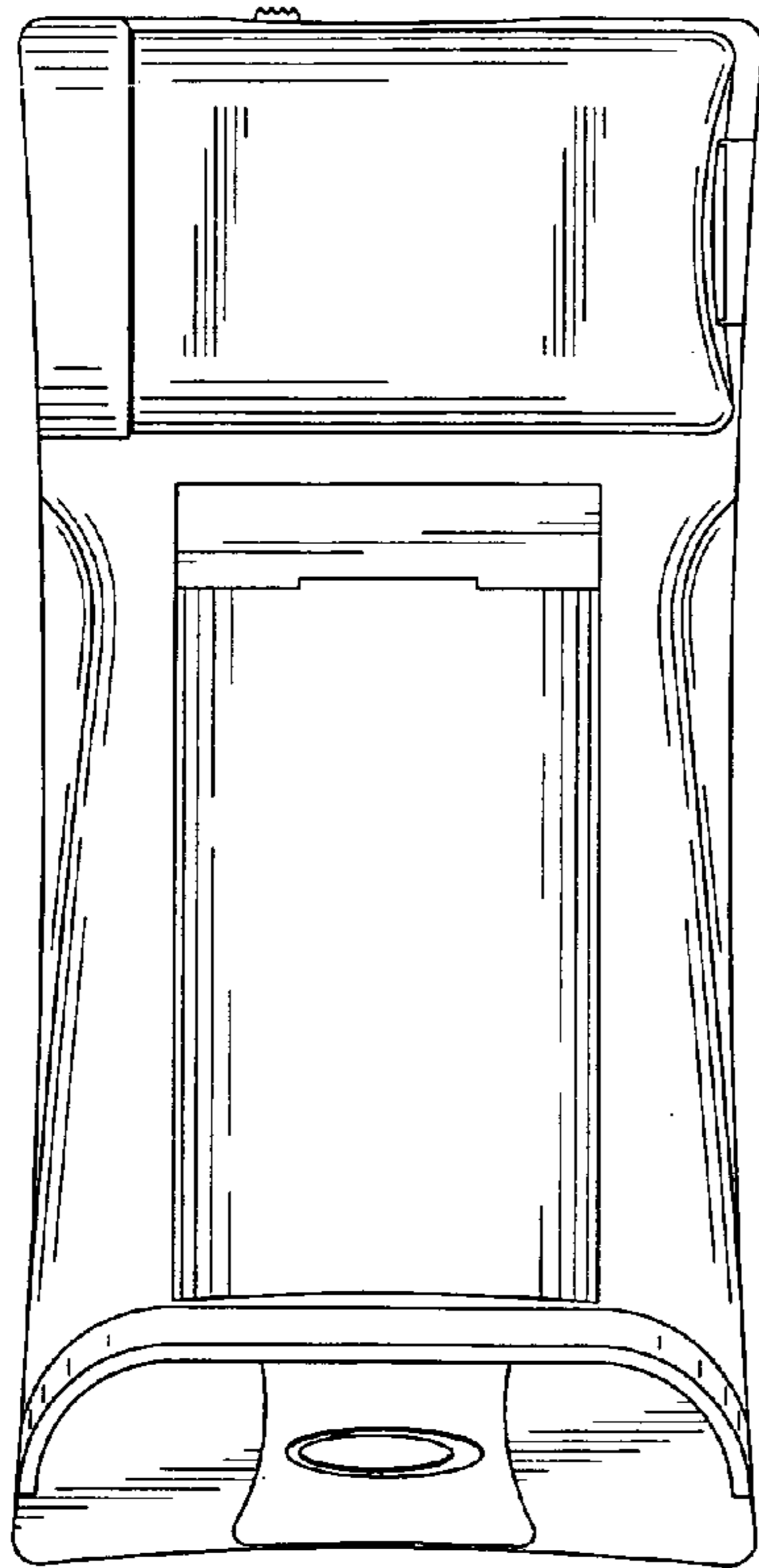


Fig. 7

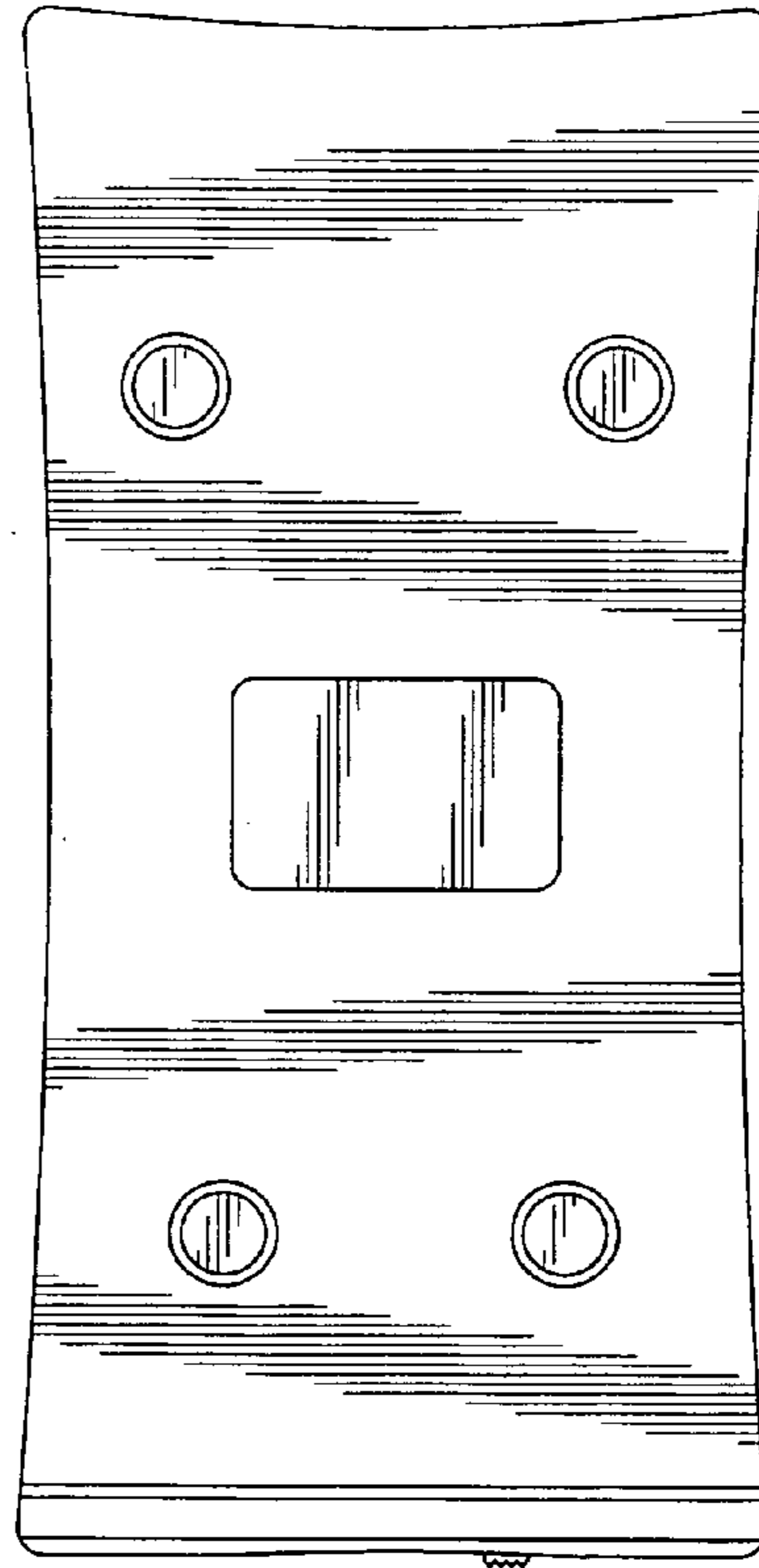


Fig. 8

