



US00D555587S

(12) **United States Design Patent** (10) **Patent No.:** **US D555,587 S**
Yamamoto et al. (45) **Date of Patent:** **** Nov. 20, 2007**

(54) **STORAGE BATTERY FOR ELECTRONIC EQUIPMENT**

(75) Inventors: **Tomoki Yamamoto**, Kyoto (JP);
Takeshi Nabesaka, Kyoto (JP)

(73) Assignee: **Nintendo Co., Ltd.**, Kyoto (JP)

(**) Term: **14 Years**

(21) Appl. No.: **29/261,874**

(22) Filed: **Jun. 22, 2006**

(30) **Foreign Application Priority Data**

Dec. 26, 2005	(JP)	2005-038045
Dec. 26, 2005	(JP)	2005-038059
Dec. 26, 2005	(JP)	2005-038060
Dec. 26, 2005	(JP)	2005-038065

(51) **LOC (8) Cl.** **13-02**

(52) **U.S. Cl.** **D13/103**

(58) **Field of Classification Search** D13/102-106,
D13/110, 118-119, 184; 429/96-100, 163,
429/176

See application file for complete search history.

(56) **References Cited**

U.S. PATENT DOCUMENTS

D394,841	S *	6/1998	Hashimoto et al.	D13/103
D414,158	S *	9/1999	Frye et al.	D13/103
D414,159	S *	9/1999	Deslyper et al.	D13/103
D419,131	S *	1/2000	Andrews et al.	D13/103
D423,449	S *	4/2000	Naskali	D13/103
D424,013	S *	5/2000	Curtis	D13/103
D432,493	S *	10/2000	Killebrew et al.	D13/103
6,153,834	A *	11/2000	Cole et al.	174/260
D438,508	S *	3/2001	Stanford et al.	D13/103
D440,201	S *	4/2001	Huynh et al.	D13/103

D444,448	S *	7/2001	Robinson et al.	D13/103
D454,837	S	3/2002	Ibuki et al.		
D457,133	S	5/2002	Yoneyama		
D474,149	S *	5/2003	Kawahata et al.	D13/103
D478,866	S	8/2003	Nakai		
6,610,443	B2 *	8/2003	Paulot et al.	429/181
D481,995	S *	11/2003	Yokota	D13/103
6,808,844	B2 *	10/2004	Ehara	429/175
D506,065	S	6/2005	Sugino et al.		
D509,182	S *	9/2005	Takeshita et al.	D13/103
D516,502	S *	3/2006	Small	D13/103
D516,503	S *	3/2006	Takeshita et al.	D13/103
D529,437	S *	10/2006	Miyashita	D13/103
2001/0049057	A1 *	12/2001	Frustaci et al.	429/176
2006/0093899	A1 *	5/2006	Jeon et al.	429/99

* cited by examiner

Primary Examiner—Cathron C. Brooks

Assistant Examiner—Rosemary K. Tarcza

(74) *Attorney, Agent, or Firm*—Nixon & Vanderhye, PC

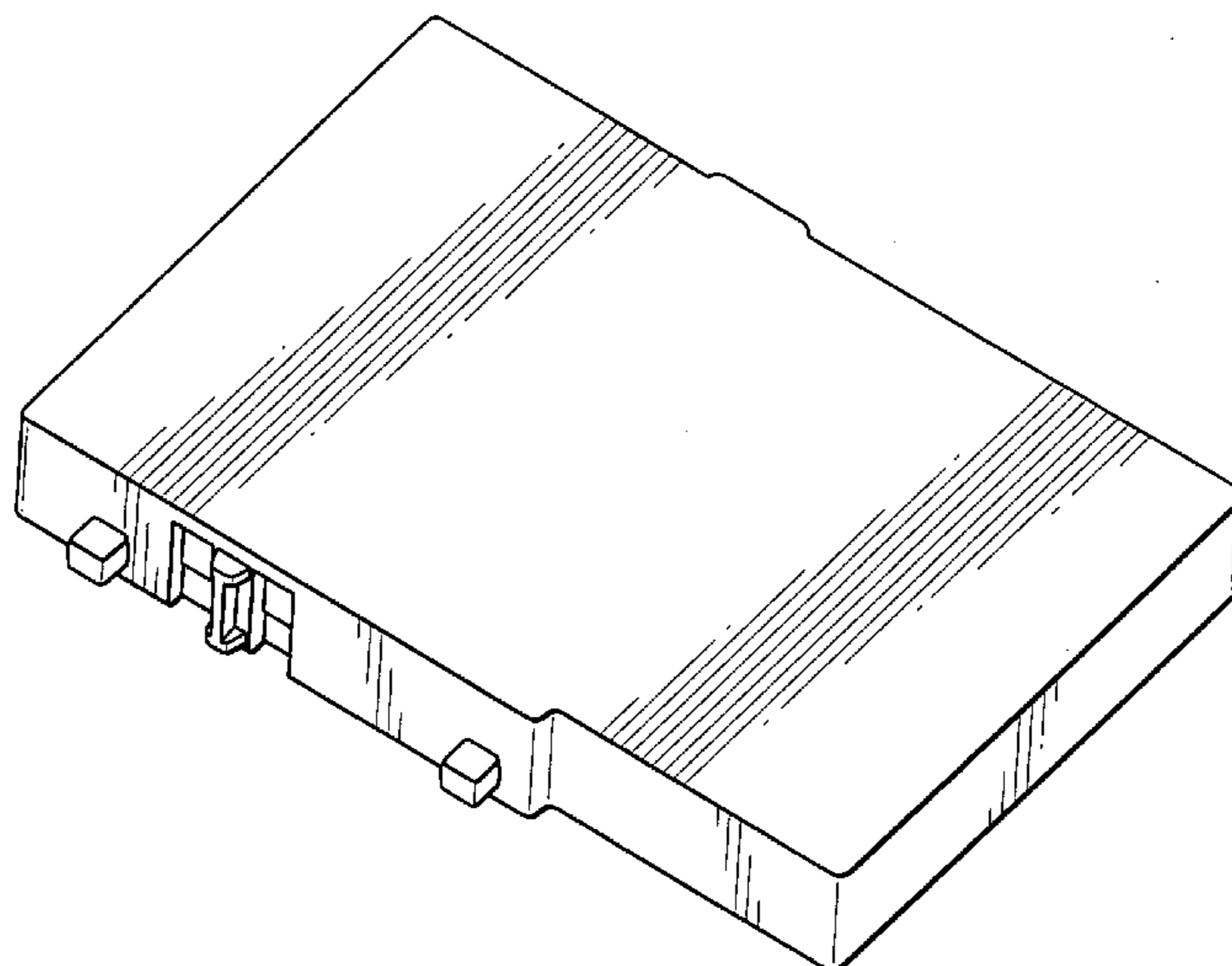
(57) **CLAIM**

The ornamental design for a storage battery for electronic equipment, as shown and described.

DESCRIPTION

FIG. 1 is a front, top and right perspective view of a storage battery for electronic equipment showing our new design; FIG. 2 is a rear, bottom and left perspective view thereof; FIG. 3 is a top plan view thereof; FIG. 4 is a bottom plan view thereof; FIG. 5 is a front view thereof; FIG. 6 is a rear view thereof; FIG. 7 is a left side view thereof; and, FIG. 8 is a right side view thereof.

1 Claim, 3 Drawing Sheets



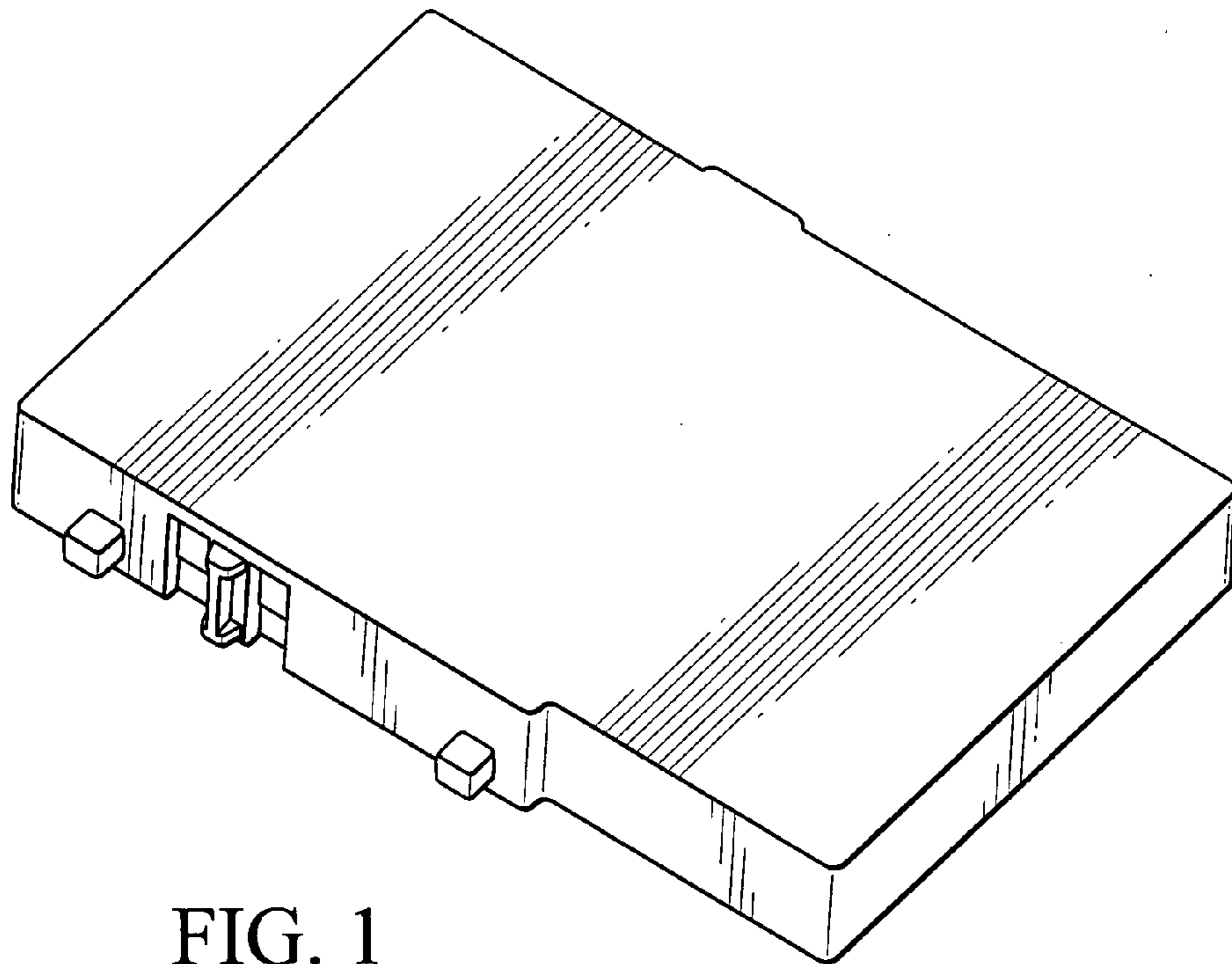


FIG. 1

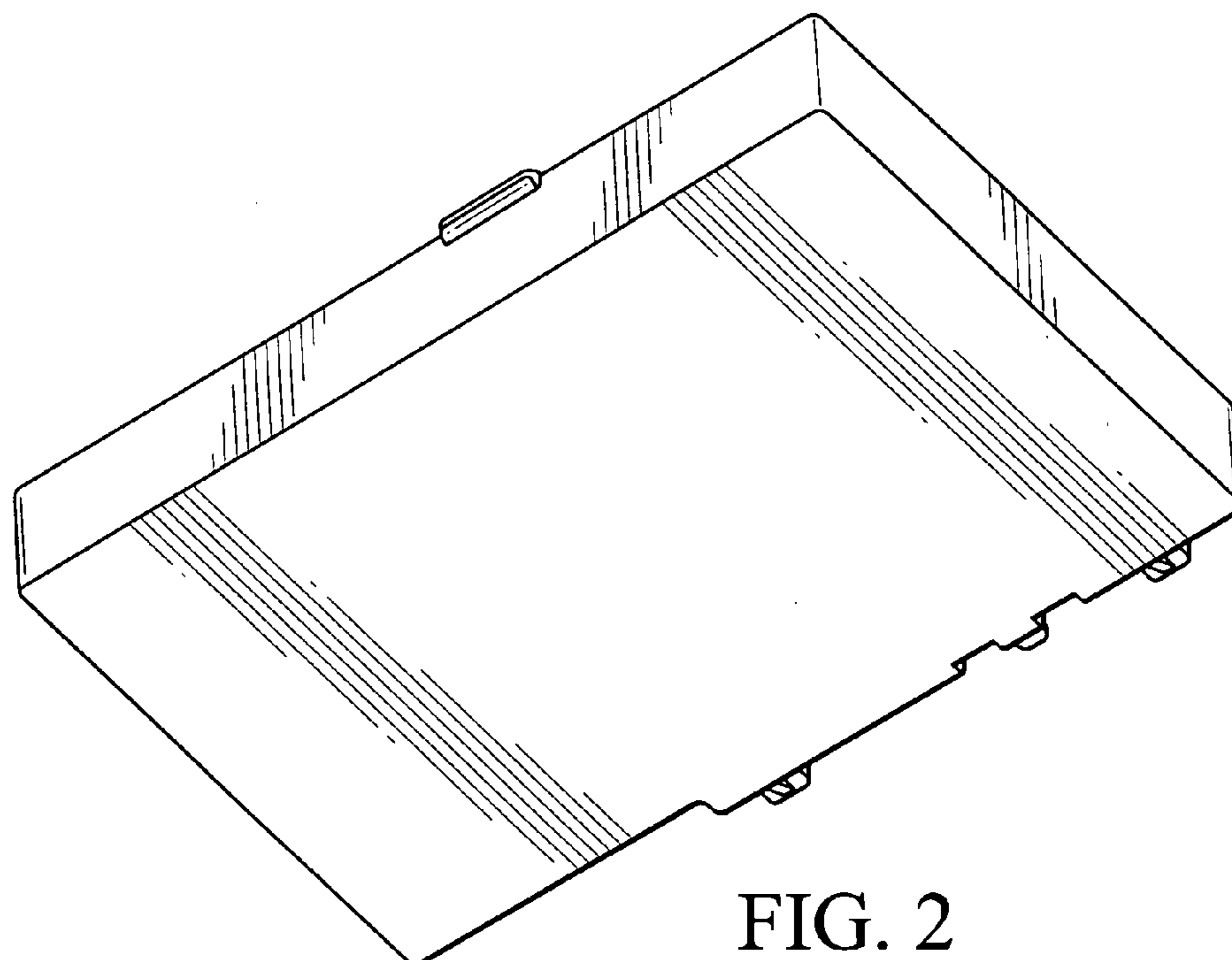


FIG. 2

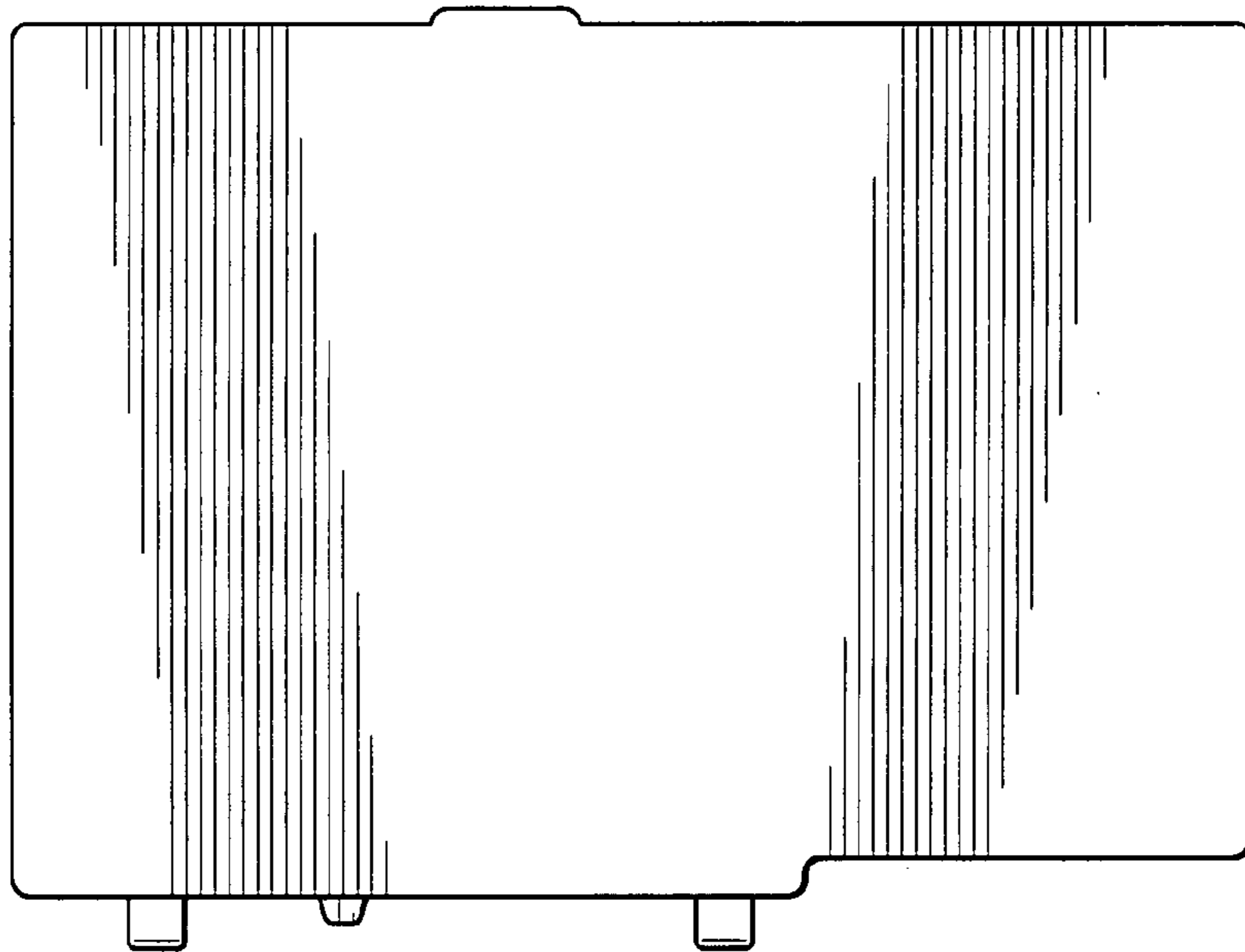


FIG. 3

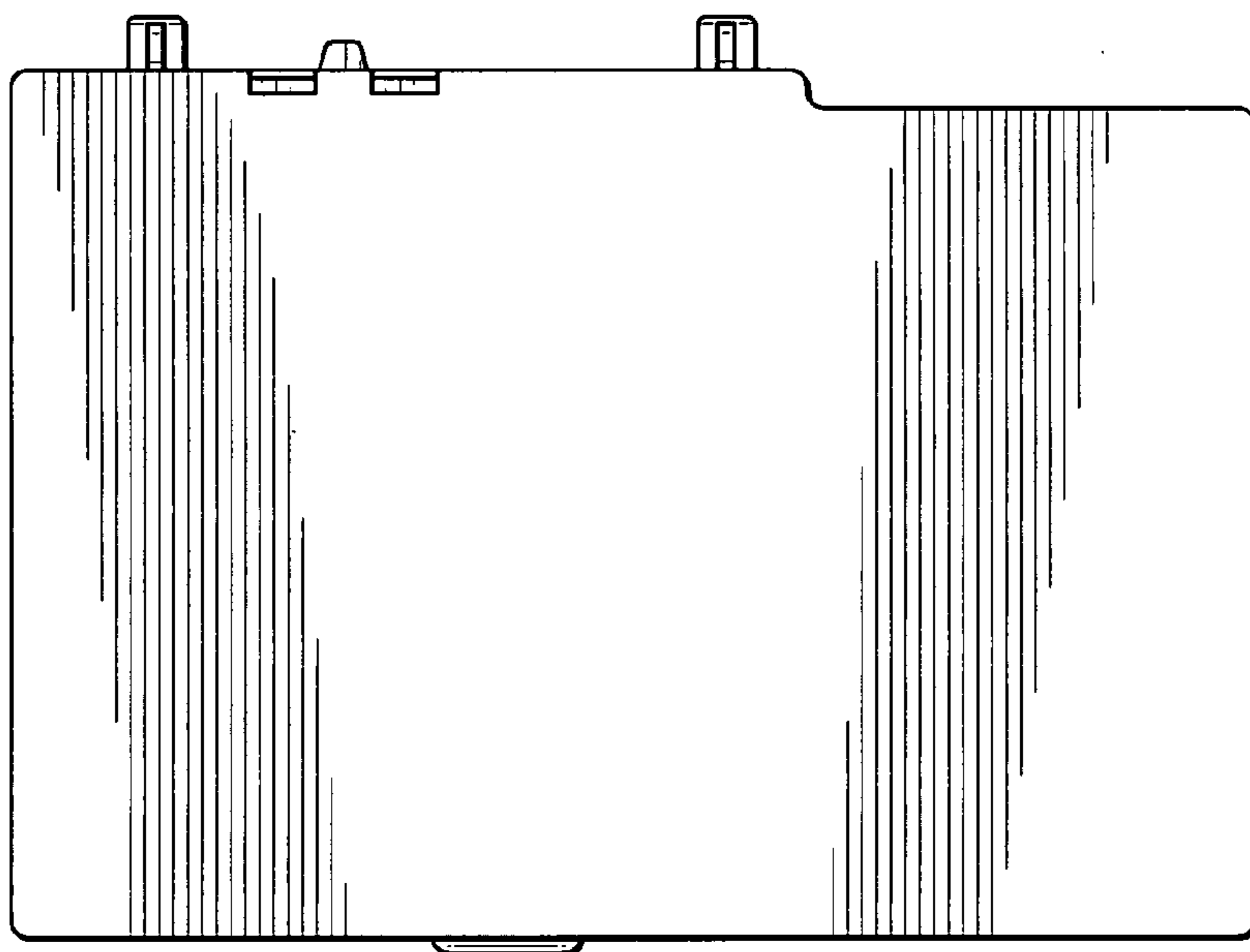


FIG. 4

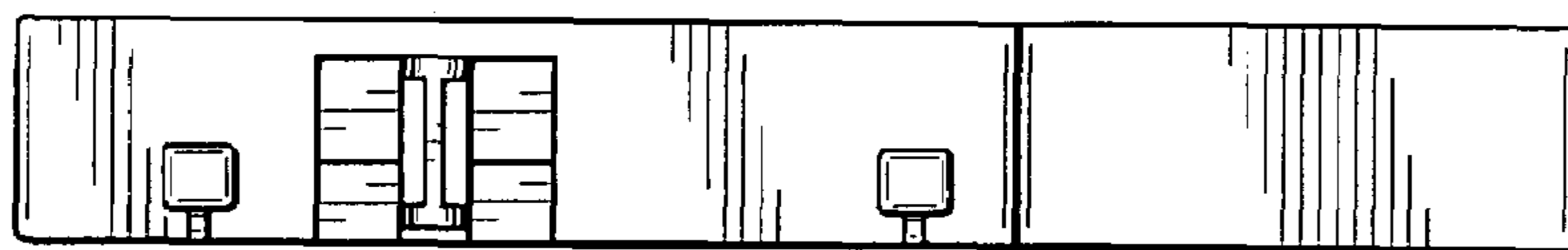


FIG. 5

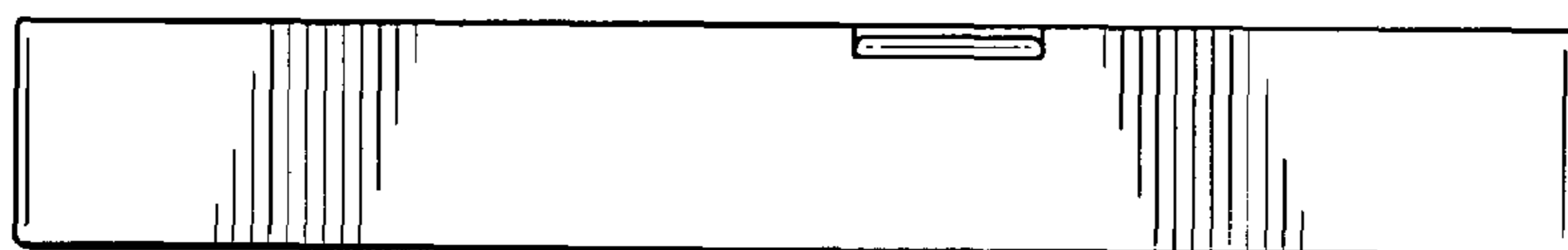


FIG. 6



FIG. 7

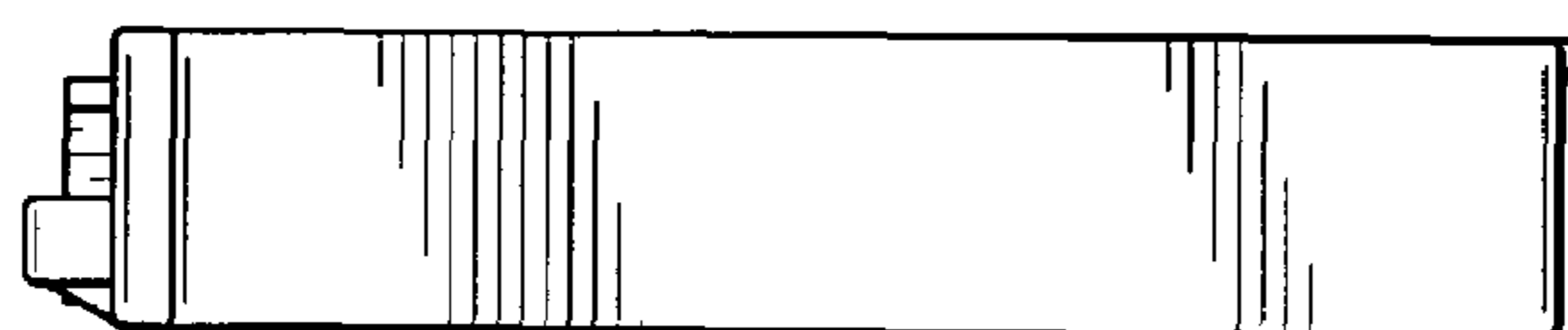


FIG. 8