



US00D555586S

(12) **United States Design Patent**
McConnell

(10) **Patent No.:** **US D555,586 S**

(45) **Date of Patent:** **** Nov. 20, 2007**

(54) **BATTERY HOUSING**

(76) **Inventor:** **Evan T. McConnell**, 7112 Sylvan Glen
La. West, Fairfax Station, VA (US)
22039

(**) **Term:** **14 Years**

(21) **Appl. No.:** **29/233,008**

(22) **Filed:** **Jun. 27, 2005**

(51) **LOC (8) Cl.** **13-02**

(52) **U.S. Cl.** **D13/103**

(58) **Field of Classification Search** D13/102–106,
D13/110, 118–119; 429/96–100, 163, 176
See application file for complete search history.

5,677,827 A	10/1997	Yoshioka et al.
5,687,717 A	11/1997	Halpern et al.
5,694,019 A	12/1997	Uchida et al.
5,703,929 A	12/1997	Schillaci et al.
5,751,134 A	5/1998	Hoerner et al.
5,764,726 A	6/1998	Selig et al.
5,768,098 A	6/1998	Murayama
5,831,415 A	11/1998	Rudolph et al.
5,860,015 A	1/1999	Olson
D405,413 S *	2/1999	Segers D13/103
D406,097 S *	2/1999	Lindahl D13/103
5,888,664 A	3/1999	Sieminski et al.
5,889,386 A	3/1999	Koenck
5,903,131 A	5/1999	Sekine et al.
5,915,008 A	6/1999	Dulman
D412,486 S *	8/1999	Gray et al. D13/103
D412,702 S	8/1999	Goto
5,957,699 A	9/1999	Peterson et al.
5,982,141 A	11/1999	Hinohara

(56) **References Cited**

U.S. PATENT DOCUMENTS

3,675,108 A	7/1972	Nicholl
3,696,283 A	10/1972	Ackley, III
D243,616 S *	3/1977	Kaye D13/103
D243,617 S *	3/1977	Kaye D13/103
D246,240 S *	11/1977	Hansen D13/103
4,143,417 A	3/1979	Wald et al.
4,160,941 A	7/1979	Bennett
4,237,409 A	12/1980	Sugalski
4,672,292 A	6/1987	Hernandez
4,998,055 A	3/1991	Nash et al.
5,039,929 A	8/1991	Veistroffer et al.
5,206,577 A	4/1993	Fish
D336,631 S	6/1993	Ivester
D337,986 S	8/1993	Brunner et al.
D346,580 S *	5/1994	Tattari D13/103
D346,581 S *	5/1994	Tattari D13/103
5,357,184 A	10/1994	McGowan et al.
5,394,074 A	2/1995	Ori
5,467,341 A	11/1995	Matsukane et al.
5,486,749 A	1/1996	Brainard
5,521,958 A	5/1996	Selig et al.
5,565,756 A	10/1996	Urbish et al.
5,602,456 A	2/1997	Cargin, Jr. et al.
5,641,588 A	6/1997	Sieminski et al.
5,647,484 A	7/1997	Fleming
5,671,407 A	9/1997	Demers et al.

(Continued)

Primary Examiner—Cathron C. Brooks
Assistant Examiner—Rosemary K. Tarcza
(74) *Attorney, Agent, or Firm*—Banner & Witcoff, Ltd.

(57) **CLAIM**

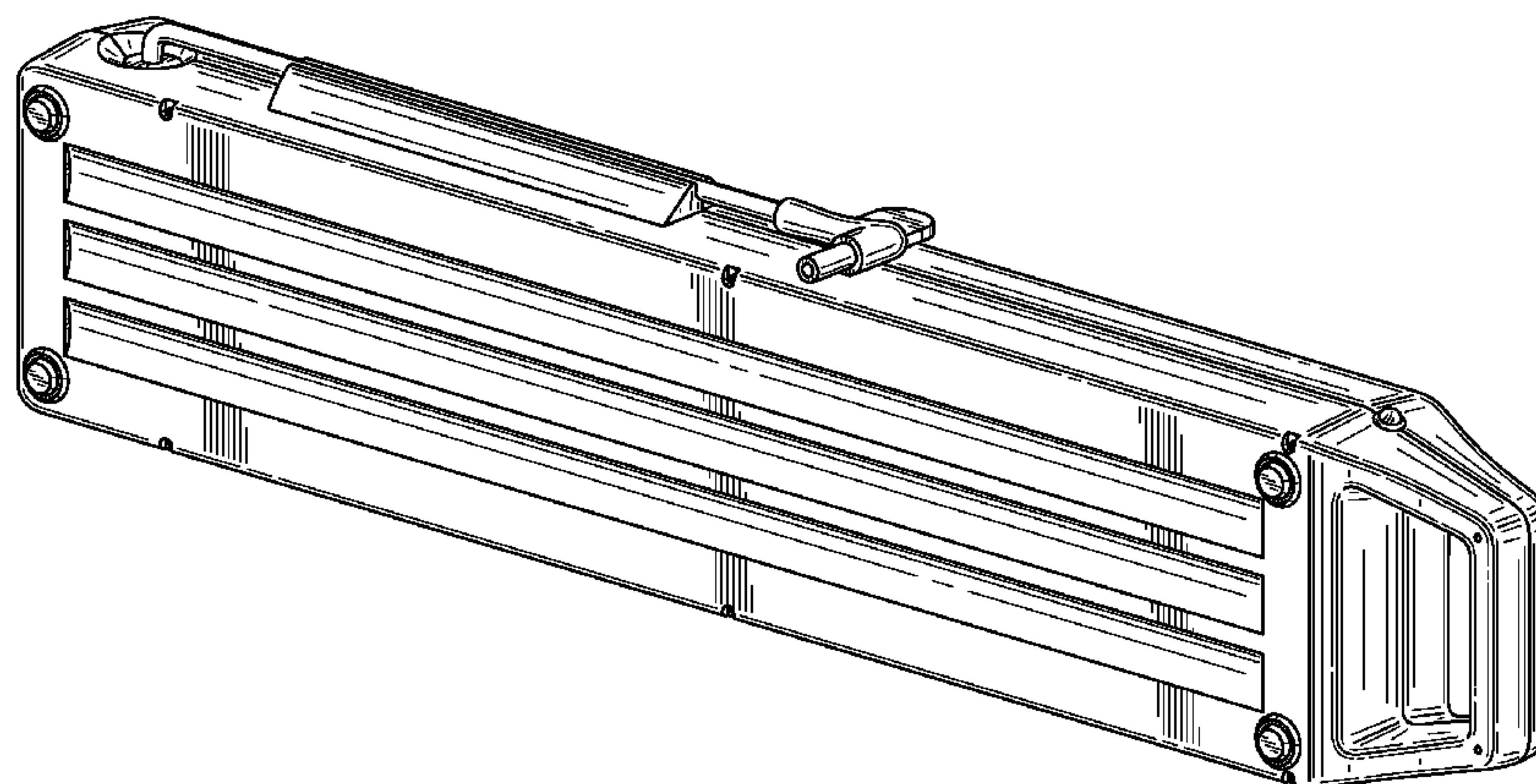
The ornamental design for a battery housing, as shown and described.

DESCRIPTION

FIG. 1 is a side perspective view of a battery housing showing my new design;
FIG. 2 is a first side view thereof;
FIG. 3 is a second view thereof;
FIG. 4 is a top view thereof;
FIG. 5 is a bottom view thereof;
FIG. 6 is a rear view thereof; and,
FIG. 7 is a front view thereof.

The broken line showing of a region in FIG. 6 and the unshaded area therein forms no part of the claimed design.

1 Claim, 4 Drawing Sheets



US D555,586 S

Page 2

U.S. PATENT DOCUMENTS

5,999,401	A	12/1999	Howell et al.	D434,722	S	*	12/2000	Zolyomi et al.	D13/103
6,008,621	A	12/1999	Madison et al.	6,218,796	B1		4/2001	Kozłowski	
6,023,147	A	2/2000	Cargin, Jr. et al.	6,421,525	B1		7/2002	Prewitt	
6,044,062	A	3/2000	Brownrigg et al.	D461,163	S	*	8/2002	Hirano et al.	D13/103
D424,013	S	*	5/2000	Curtis					
D425,015	S	*	5/2000	Iwamoto					D13/104
6,075,340	A	6/2000	Koenck	6,493,217	B1		12/2002	Jenkins, Jr.	
6,078,164	A	6/2000	Park	D480,356	S	*	10/2003	Omori et al.	D13/104
6,108,199	A	8/2000	Bonardi et al.	6,650,225	B2		11/2003	Bastian et al.	
				2002/0097567	A1		7/2002	Zodnik et al.	

* cited by examiner

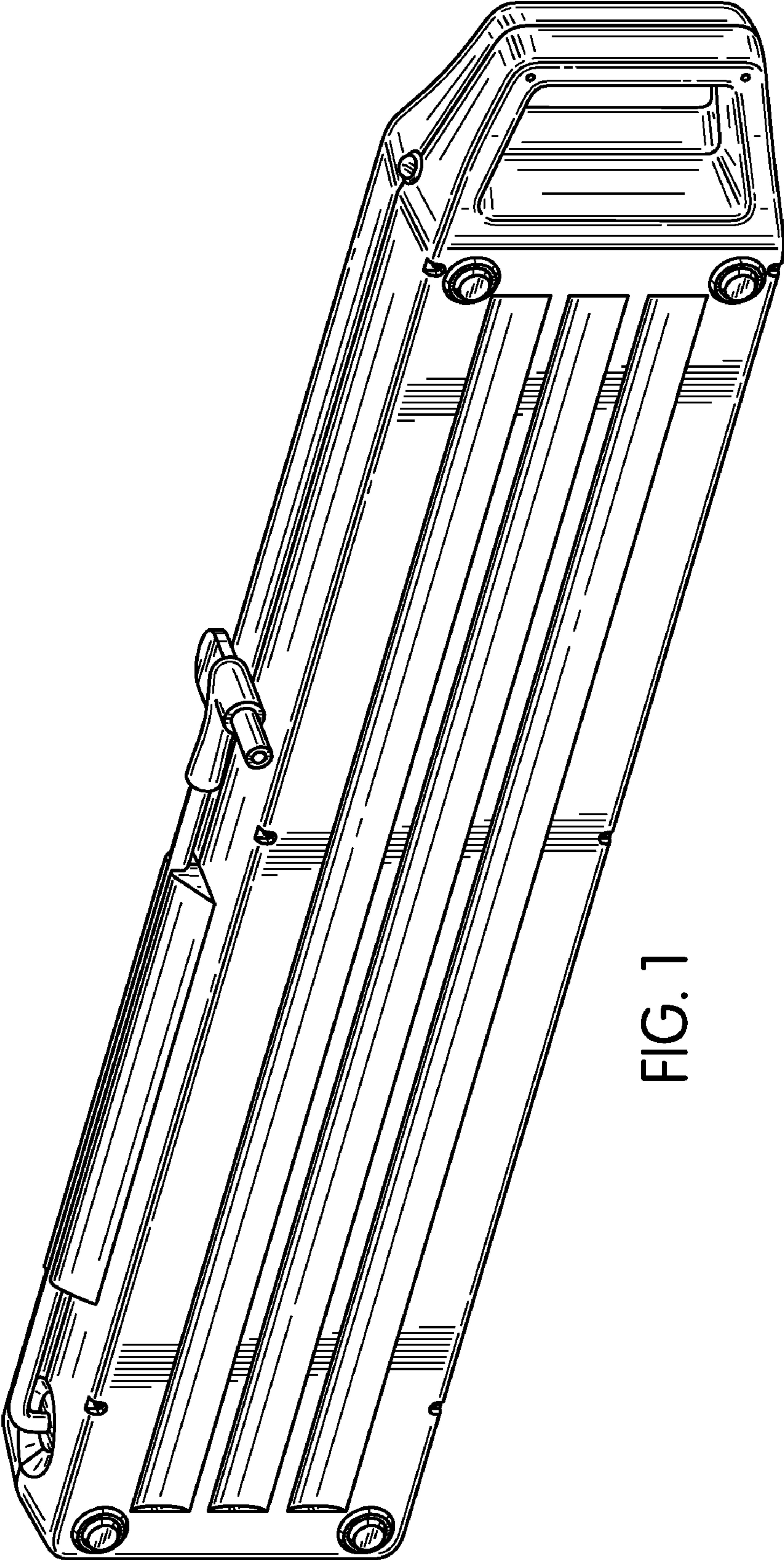


FIG. 1

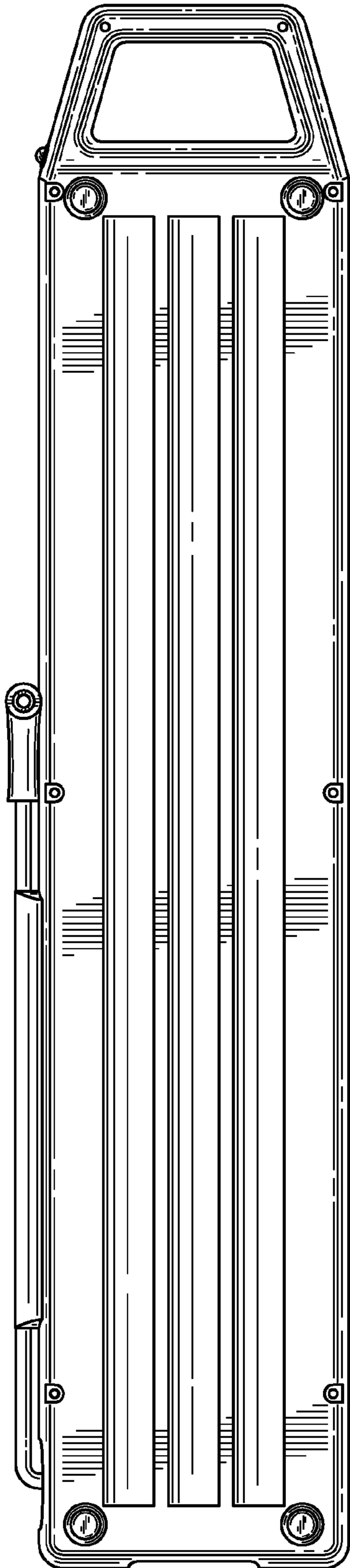


FIG. 2

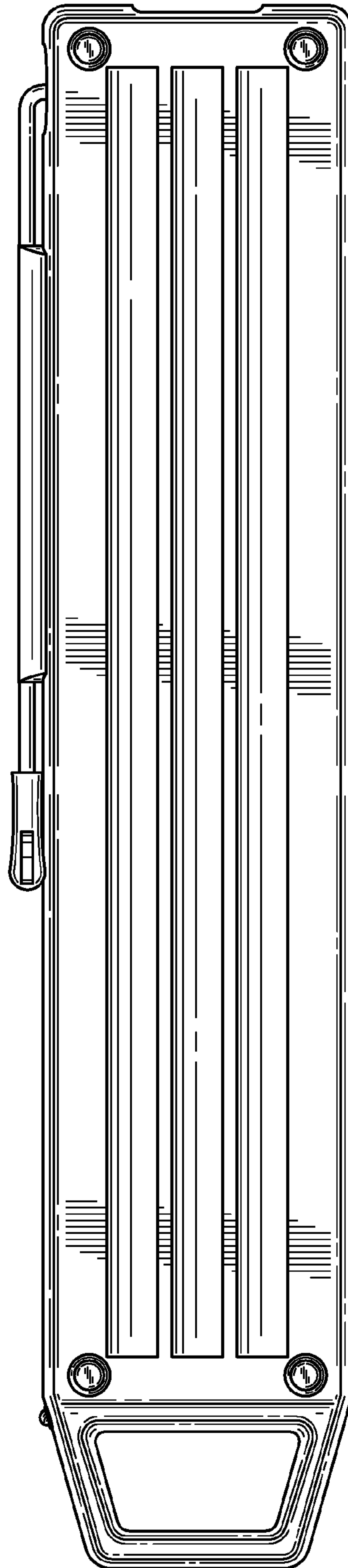


FIG. 3

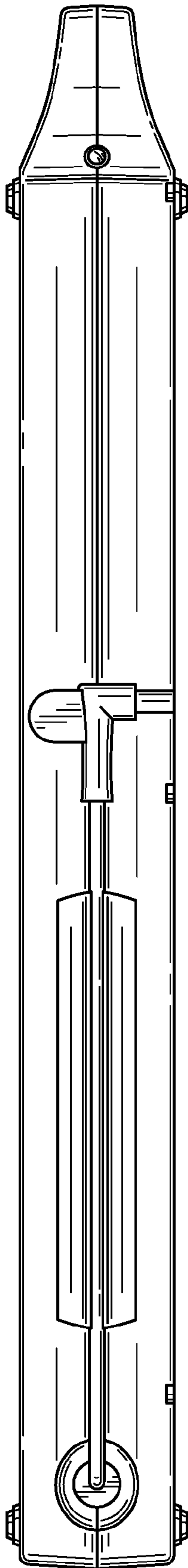


FIG. 4

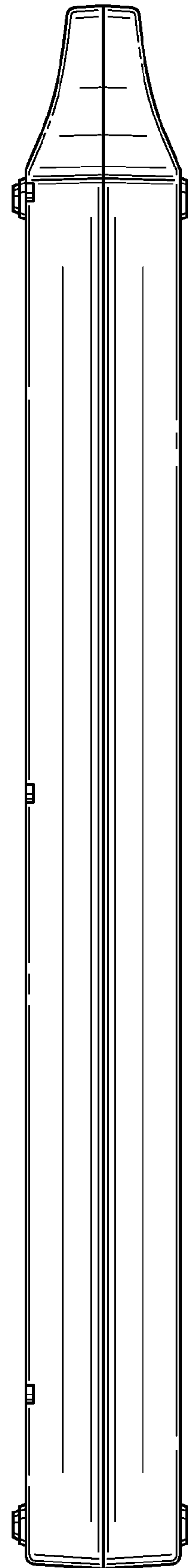


FIG. 5

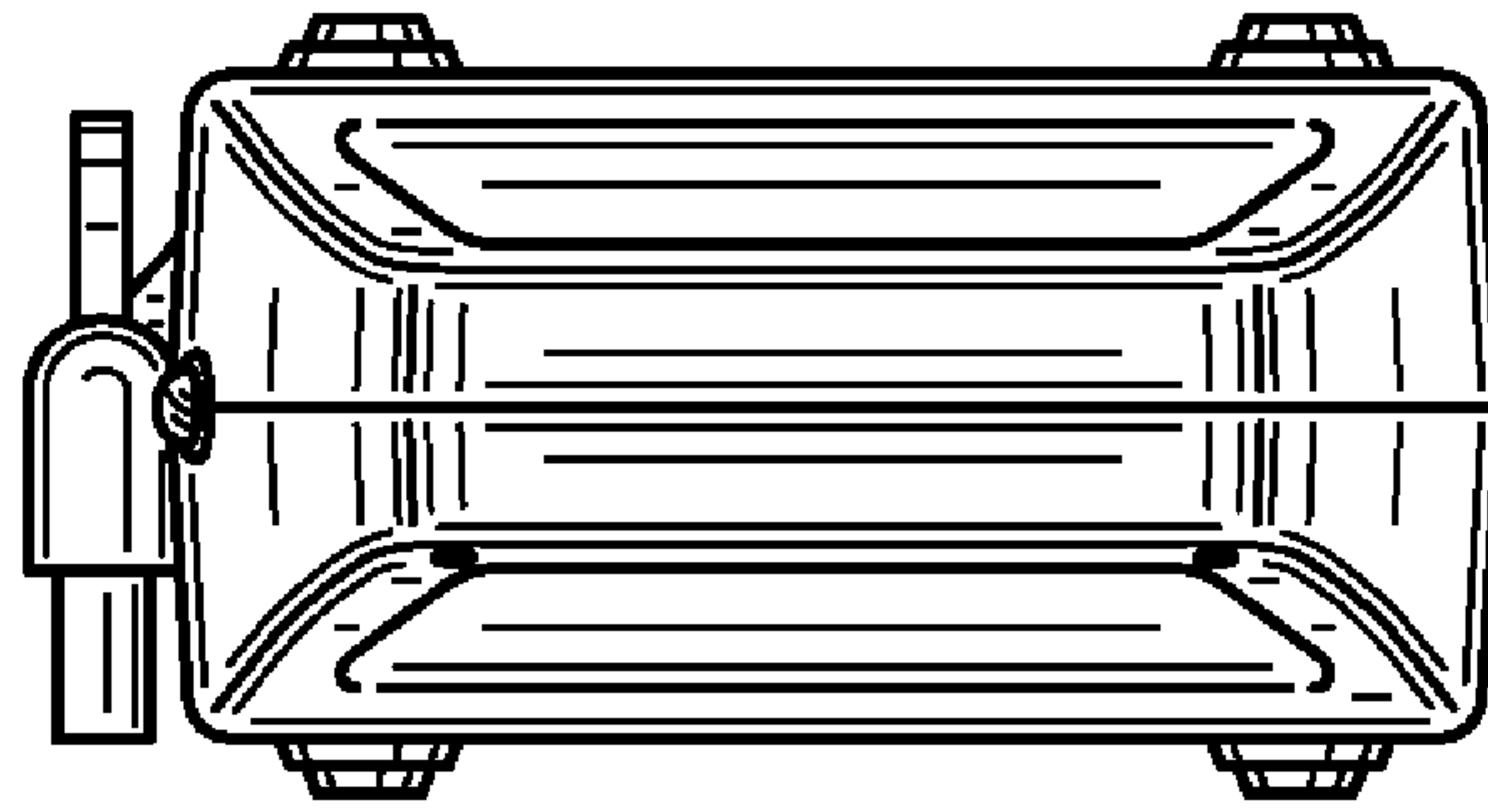


FIG. 7

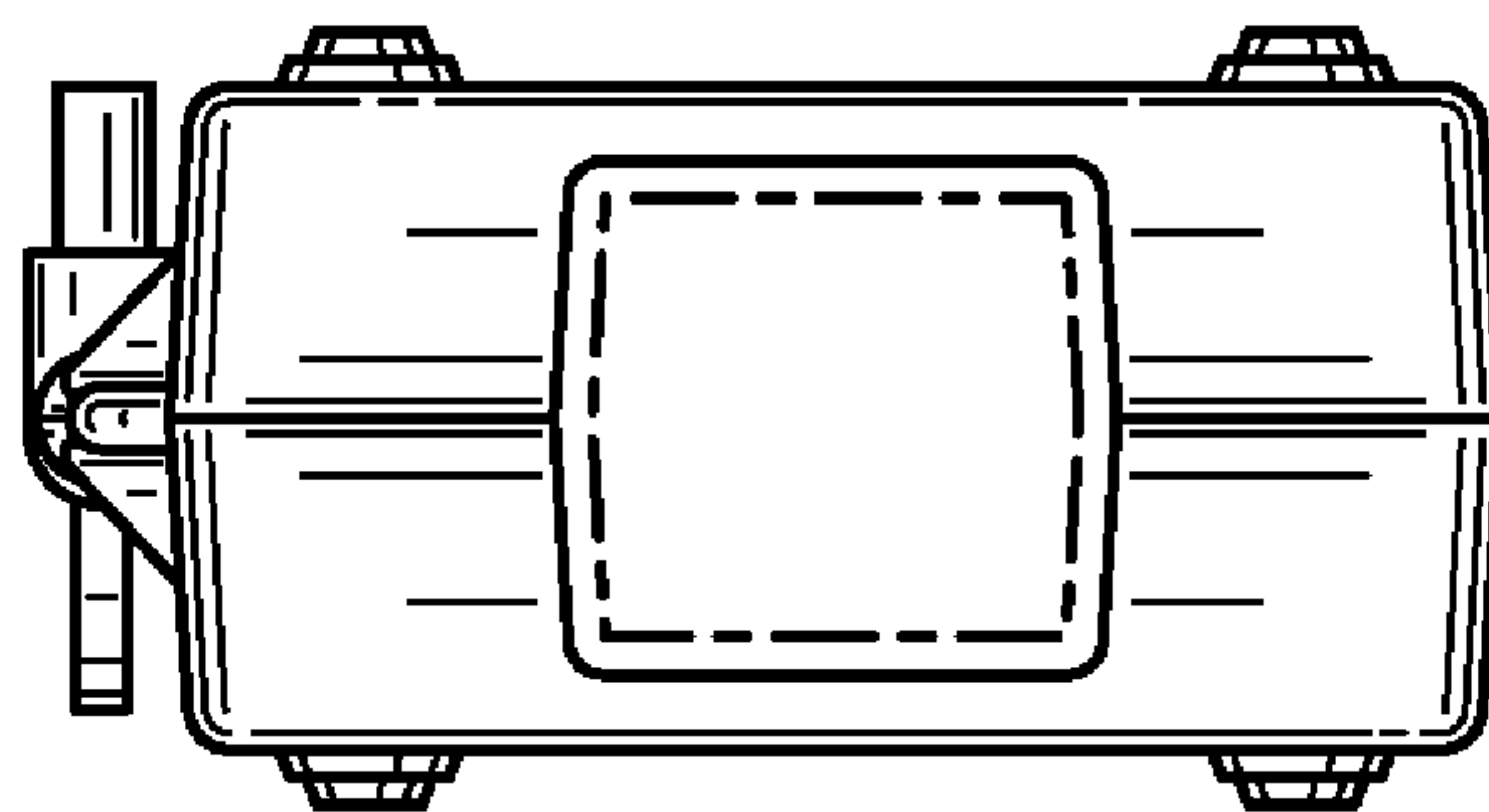


FIG. 6