



US00D555573S

(12) **United States Design Patent**
Kemery et al.

(10) **Patent No.:** **US D555,573 S**

(45) **Date of Patent:** **** Nov. 20, 2007**

(54) **SKI MOUNT**

(75) Inventors: **Mike Kemery**, Portland, OR (US);
Richard Jeli, Milwaukie, OR (US);
Steve Rodden, Sherwood, OR (US)

(73) Assignee: **Yakima Products, Inc.**, Beaverton, OR (US)

(**) Term: **14 Years**

(21) Appl. No.: **29/268,752**

(22) Filed: **Nov. 9, 2006**

(51) **LOC (8) Cl.** **12-16**

(52) **U.S. Cl.** **D12/412**

(58) **Field of Classification Search** D12/406,
D12/412, 414, 414.1; 293/37.1, 3, 100; 224/309-310,
224/315-318, 323-331, 319, 400; D6/552;
D22/147, 199; 280/760-762, 848, 727, 769;
296/37.7; 135/96

See application file for complete search history.

(56) **References Cited**

U.S. PATENT DOCUMENTS

D235,759 S *	7/1975	Parsons	D12/412
D282,060 S	1/1986	Diantoni		
4,728,019 A	3/1988	Olliges		
D300,914 S *	5/1989	Arvidsson	D12/412
D302,000 S	7/1989	Arvidsson		
D302,262 S *	7/1989	Dickerman	D12/412
4,930,671 A	6/1990	Tittel		
5,119,980 A	6/1992	Grim		

D332,243 S	1/1993	Collins		
D335,479 S	5/1993	Yamamoto		
D340,020 S	10/1993	Yamamoto		
D340,021 S *	10/1993	Yamamoto	D12/412
D348,034 S	6/1994	Mann		
5,456,397 A *	10/1995	Pedrini	224/324
D415,096 S *	10/1999	Englander et al.	D12/406
6,257,261 B1 *	7/2001	Johnson	224/309
7,108,163 B1 *	9/2006	Pedrini	224/319

* cited by examiner

Primary Examiner—Stacia Cadmus

(74) *Attorney, Agent, or Firm*—Kolisch Hartwell, P.C.

(57) **CLAIM**

I claim the ornamental design for a ski mount, as shown and described.

DESCRIPTION

FIG. 1 is a perspective view of a ski mount.

FIG. 2 is a top view of a ski mount.

FIG. 3 is a front view of a ski mount.

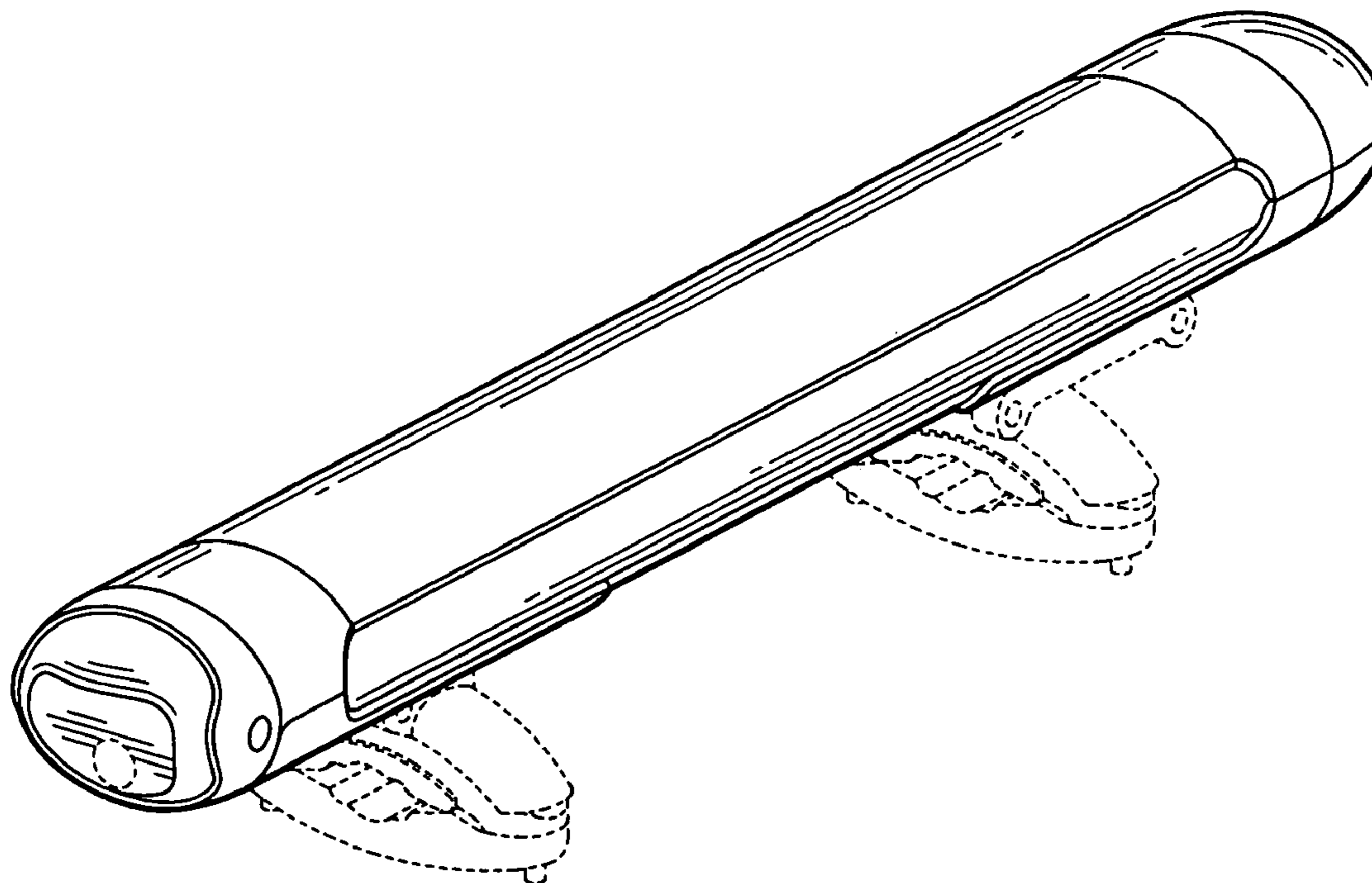
FIG. 4 is a bottom view of a ski mount; and,

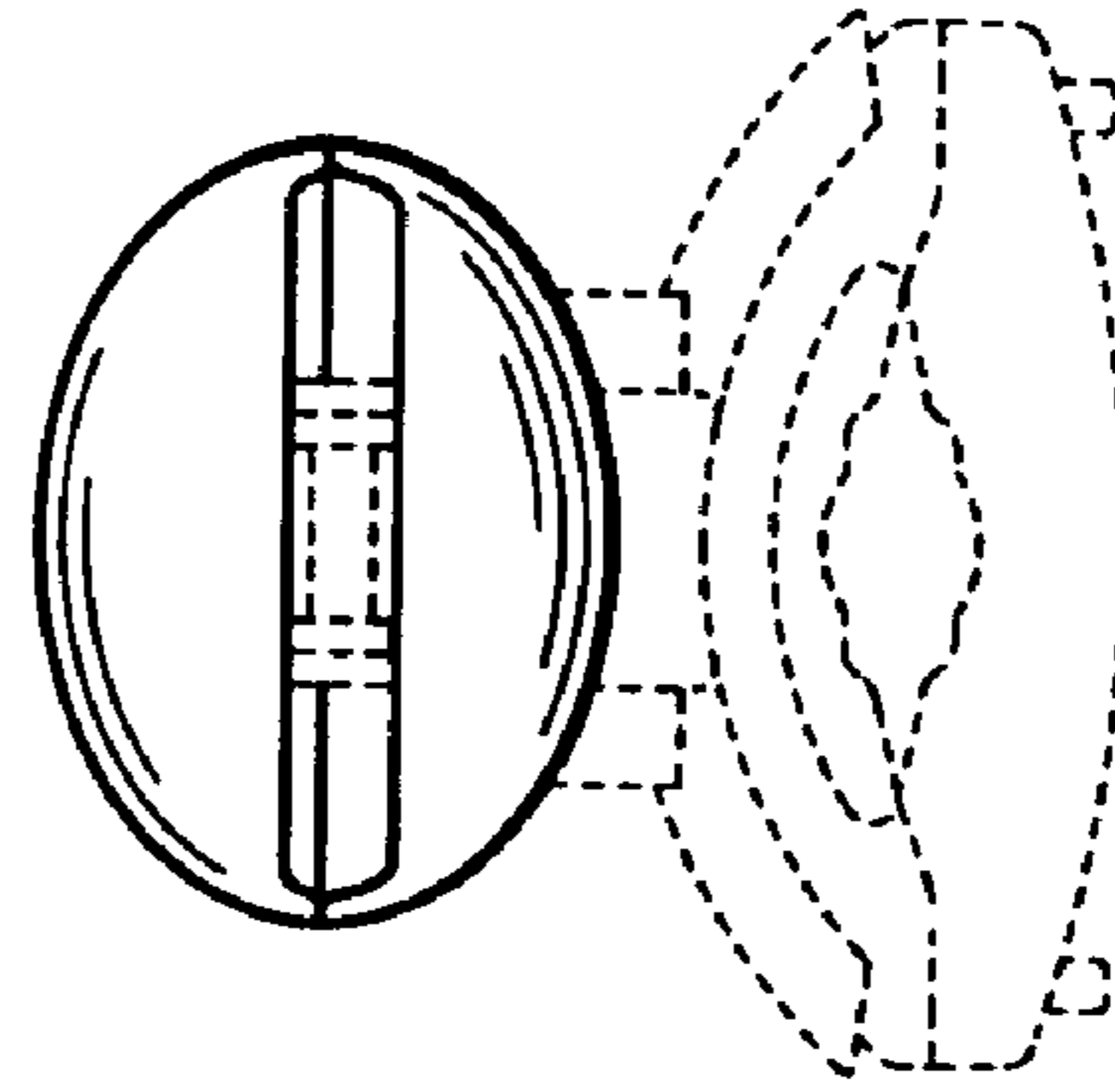
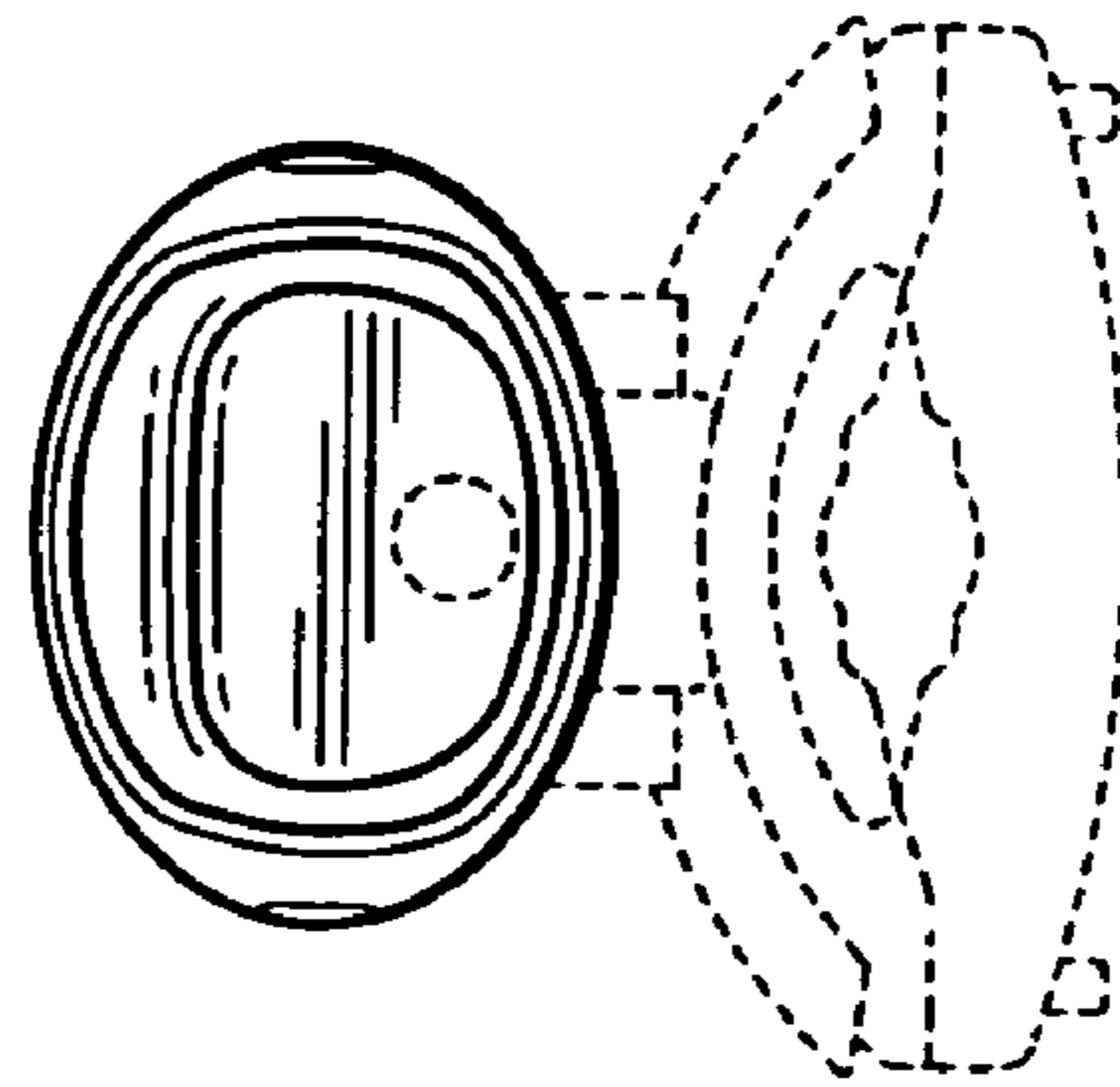
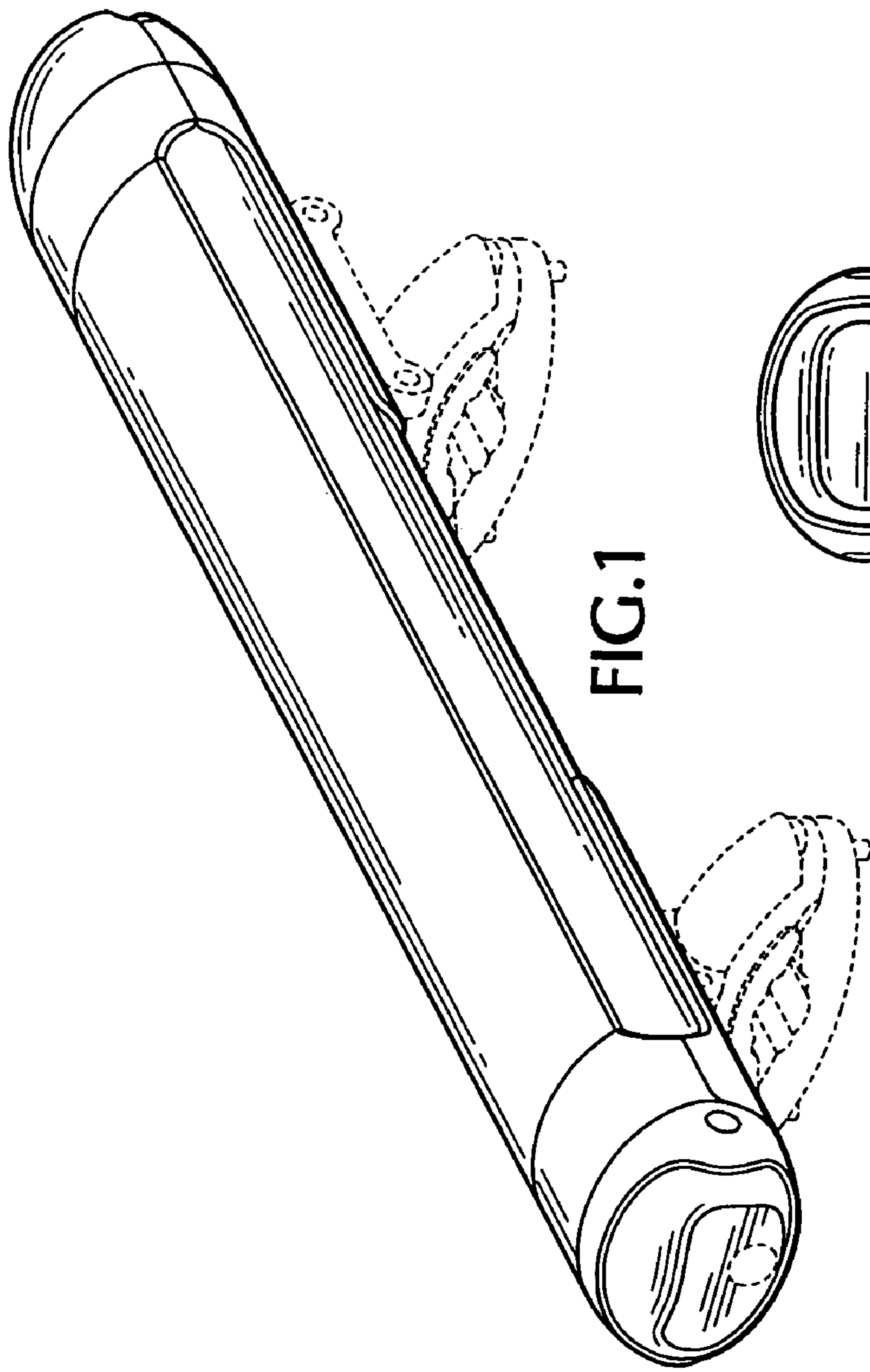
FIGS. 5 and 6 are side views of a ski mount.

The broken line(s) shown in the drawings are for illustrative purposes only and form no part of the claimed design.

The shading lines shown in the drawing(s) represent the approximate three-dimensional contour of the design, and are not intended to indicate surface decoration.

1 Claim, 2 Drawing Sheets





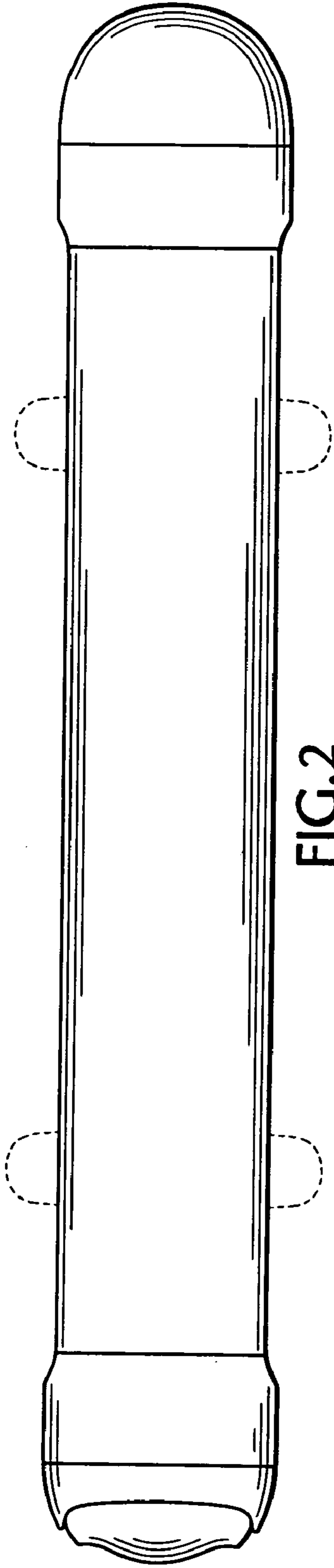


FIG. 2

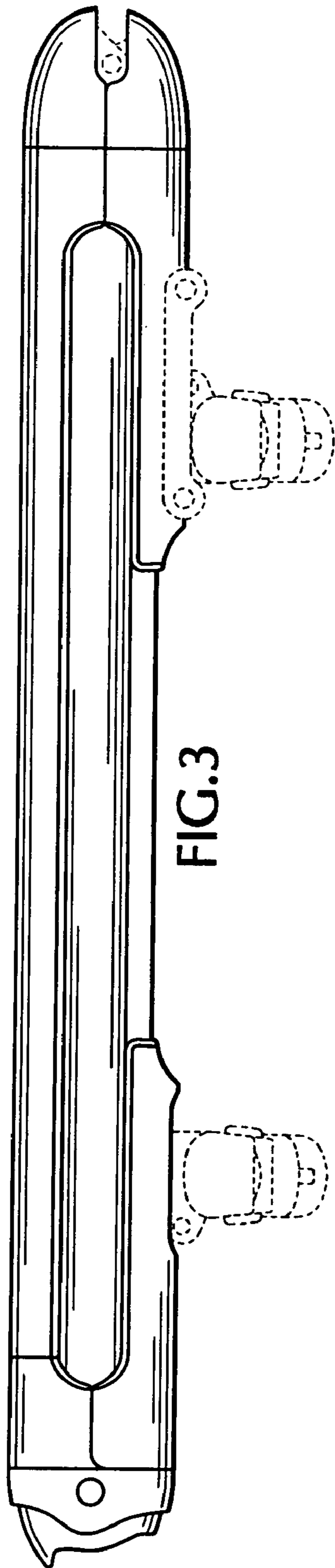


FIG. 3

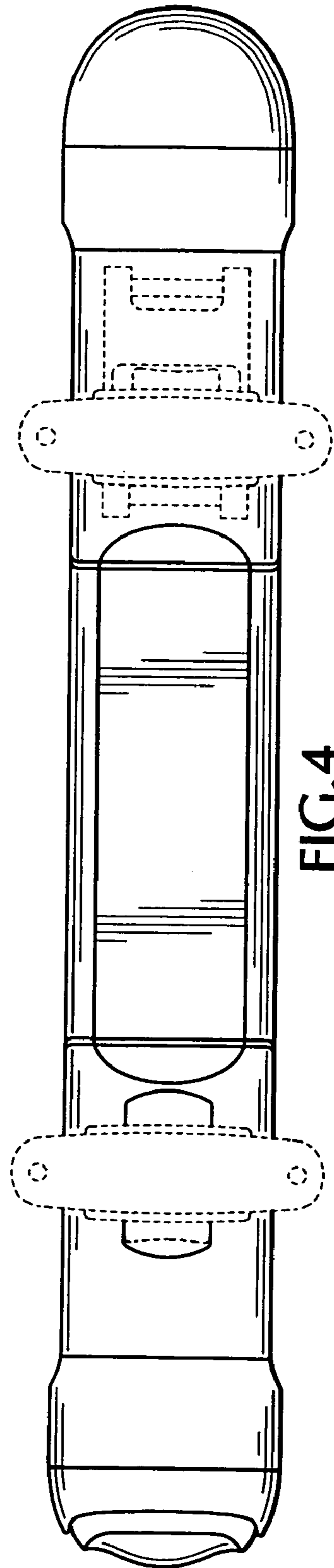


FIG. 4