



US00D555572S

(12) **United States Design Patent**
Harrell

(10) **Patent No.:** **US D555,572 S**

(45) **Date of Patent:** **** Nov. 20, 2007**

(54) **MIRROR COVER**

(76) **Inventor:** **Richard Harrell**, 4139 Carnation Dr.,
Morristown, TN (US) 37814

(**) **Term:** **14 Years**

(21) **Appl. No.:** **29/275,849**

(22) **Filed:** **Jan. 8, 2007**

(51) **LOC (8) Cl.** **12-16**

(52) **U.S. Cl.** **D12/401; D3/299**

(58) **Field of Classification Search** D12/187-189,
D12/400, 401; 359/838-851, 855-868, 871-881,
359/608; 248/475.1, 479, 476, 478, 480-481,
248/485-487; D3/299-303; 139/389-390;
206/454; 296/97.1-97.9; 383/98, 210-211,
383/43; 150/166, 143, 146, 155, 160; 40/518,
40/591, 593

See application file for complete search history.

(56) **References Cited**

U.S. PATENT DOCUMENTS

2,182,275	A	12/1939	Blonkvist	
2,637,246	A *	5/1953	Wolk	359/608
4,915,488	A	4/1990	Lambert	
4,974,355	A	12/1990	Abrams	
5,115,848	A *	5/1992	Malone	150/166
5,133,141	A	7/1992	Bane	
D379,034	S *	5/1997	DeSatnick	D3/299
D390,529	S *	2/1998	Adams et al.	D12/401
D435,344	S *	12/2000	Harrison	D3/299

6,325,121	B1	12/2001	Hudnall	
6,467,918	B2	10/2002	Strode	
6,811,269	B2	11/2004	Strode	
D537,248	S *	2/2007	Schlegel	D3/300

* cited by examiner

Primary Examiner—Stacia Cadmus

(74) *Attorney, Agent, or Firm*—Pitts & Brittan, P.C.

(57) **CLAIM**

I claim the ornamental design for a mirror cover, as shown and described.

DESCRIPTION

FIG. 1 is a front perspective view of the design of the present invention for a mirror cover;

FIG. 2 is a rear perspective view thereof;

FIG. 3 is a front elevation view thereof;

FIG. 4 is a rear elevation view thereof;

FIG. 5 is a left side elevation view thereof, the right side elevation view being a mirror image thereof;

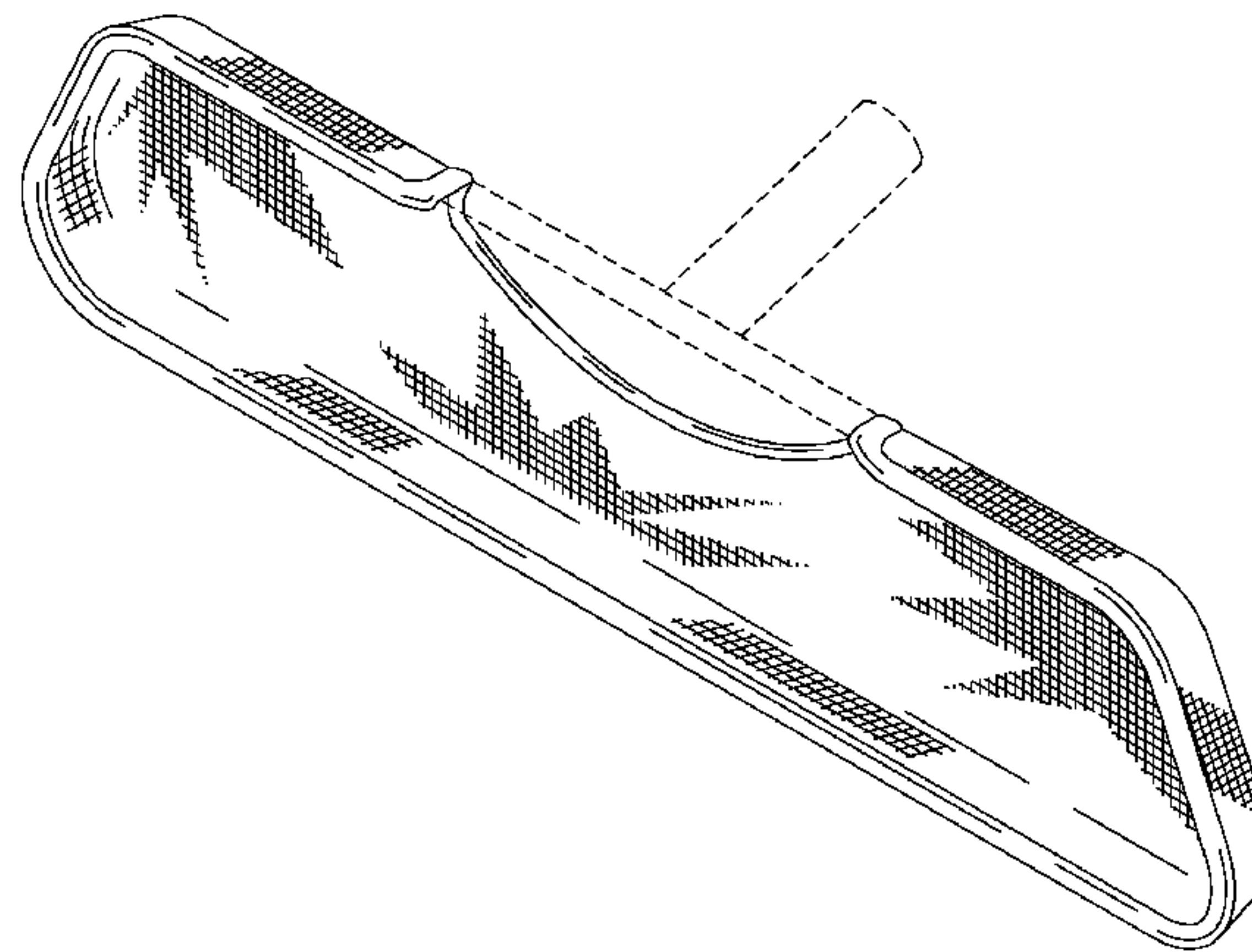
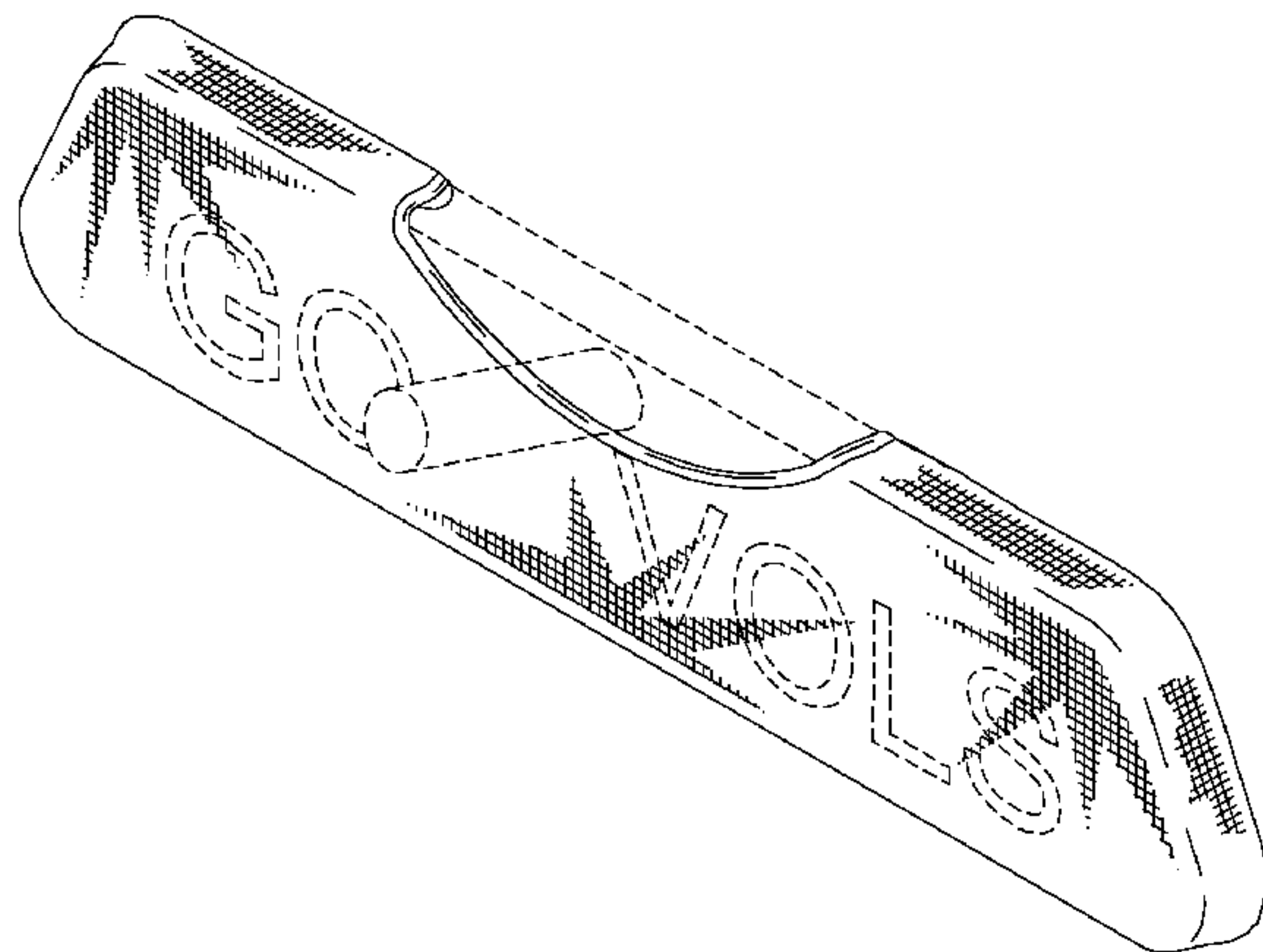
FIG. 6 is a top plan view thereof;

FIG. 7 is a bottom plan view thereof; and,

FIG. 8 is a perspective view thereof in a relaxed state.

The features of the mirror cover shown in broken lines are for illustrative purposes only and form no part of the claimed design.

1 Claim, 4 Drawing Sheets



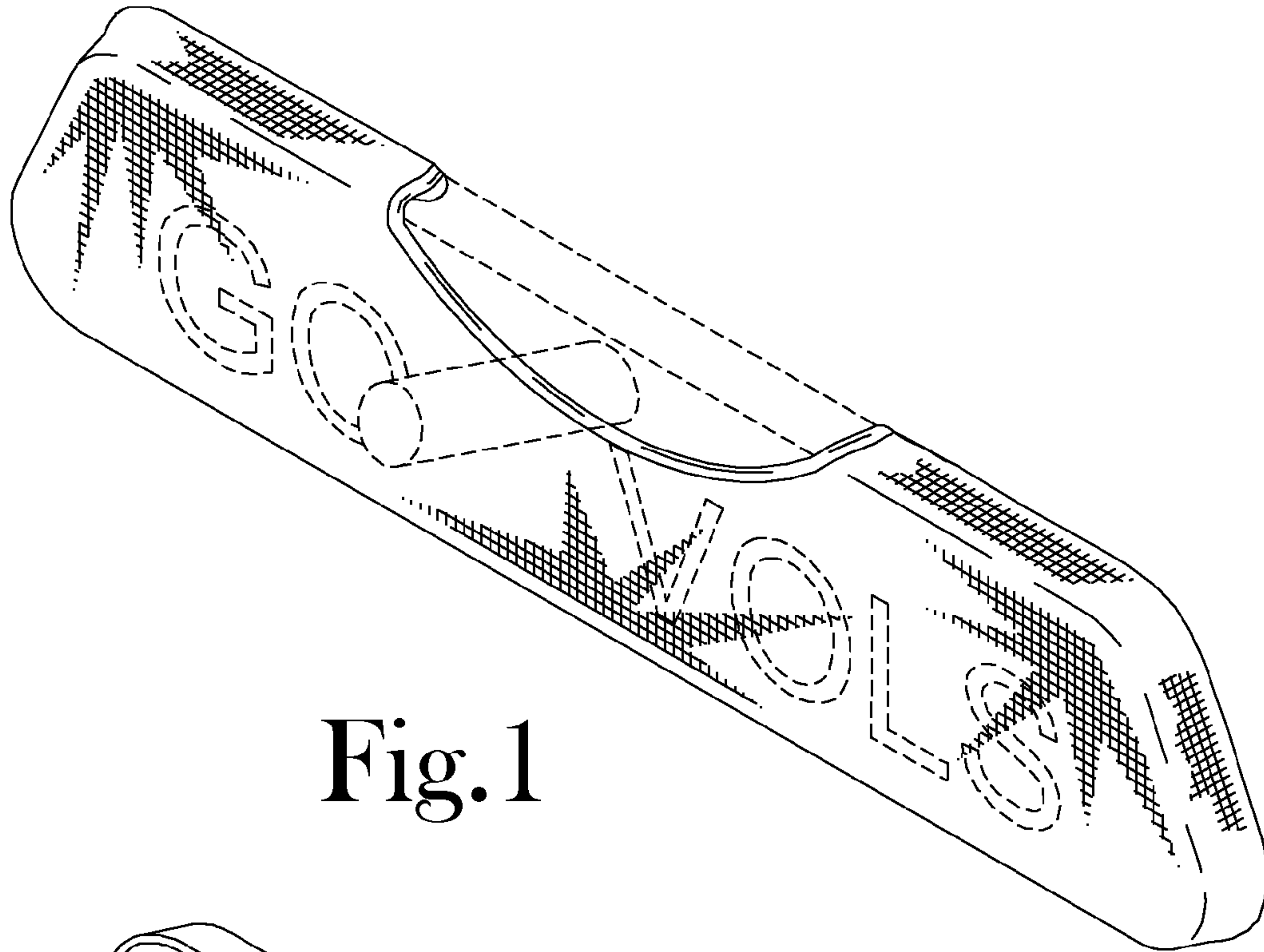


Fig. 1

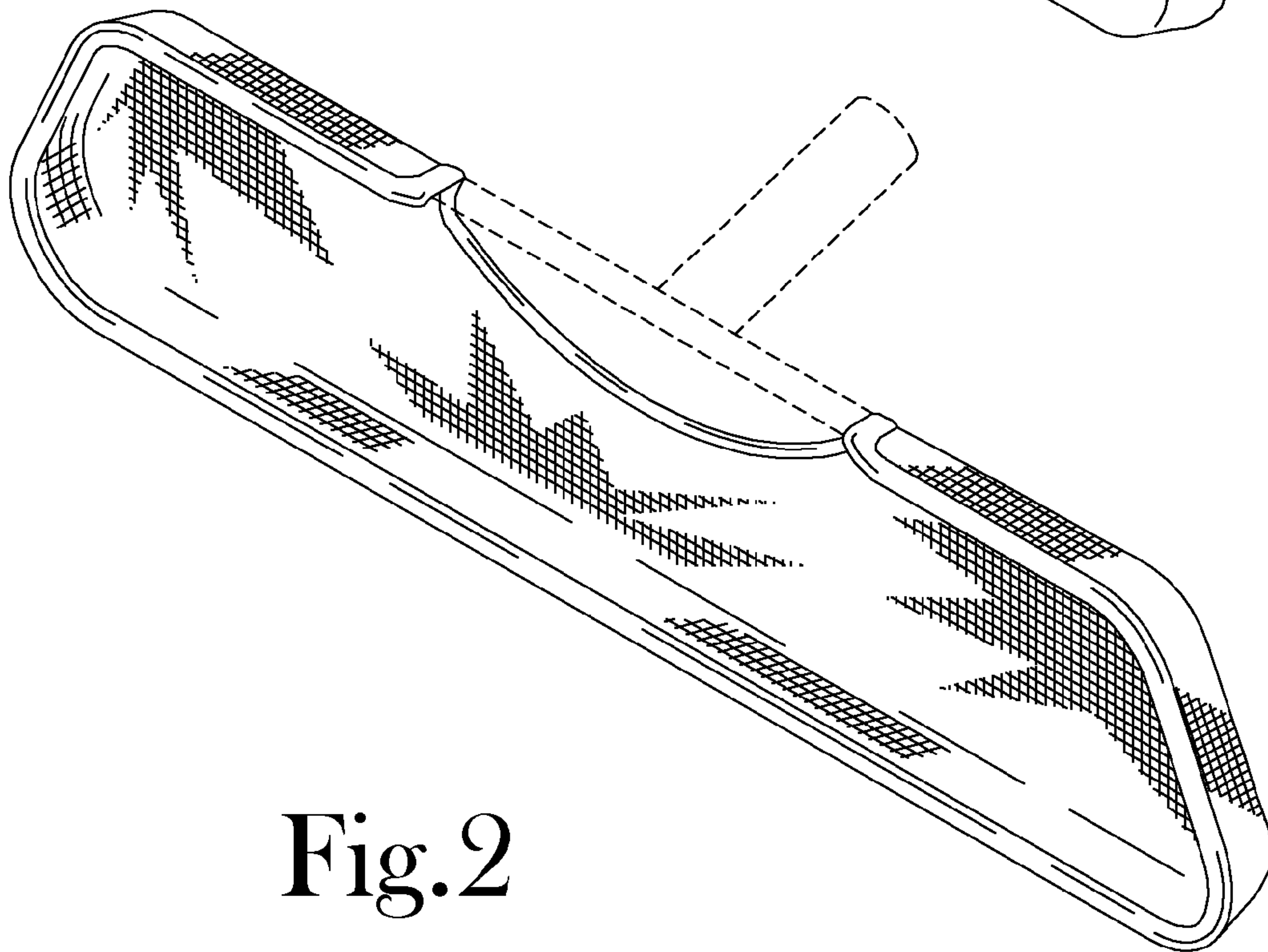


Fig. 2

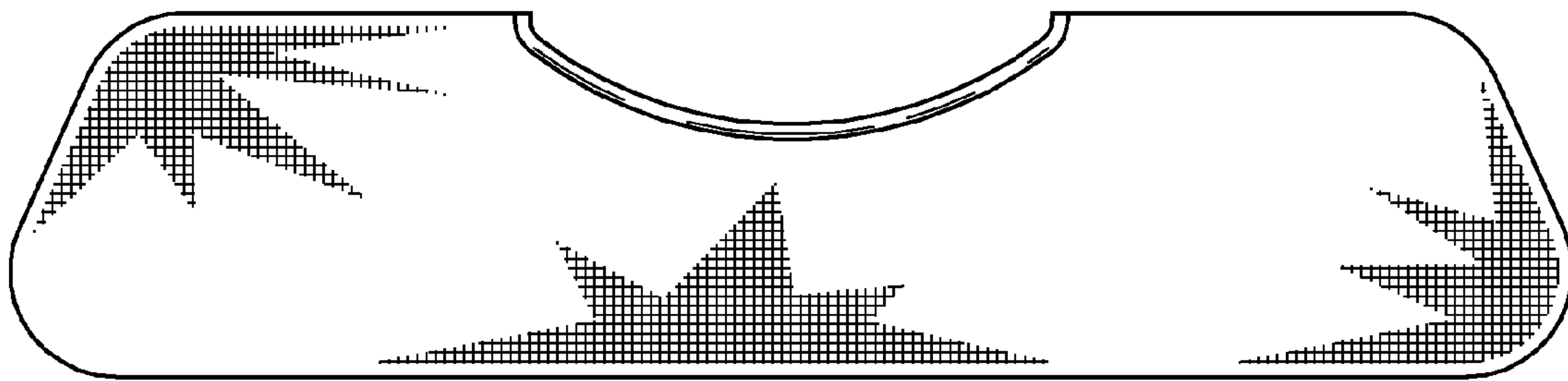


Fig.3

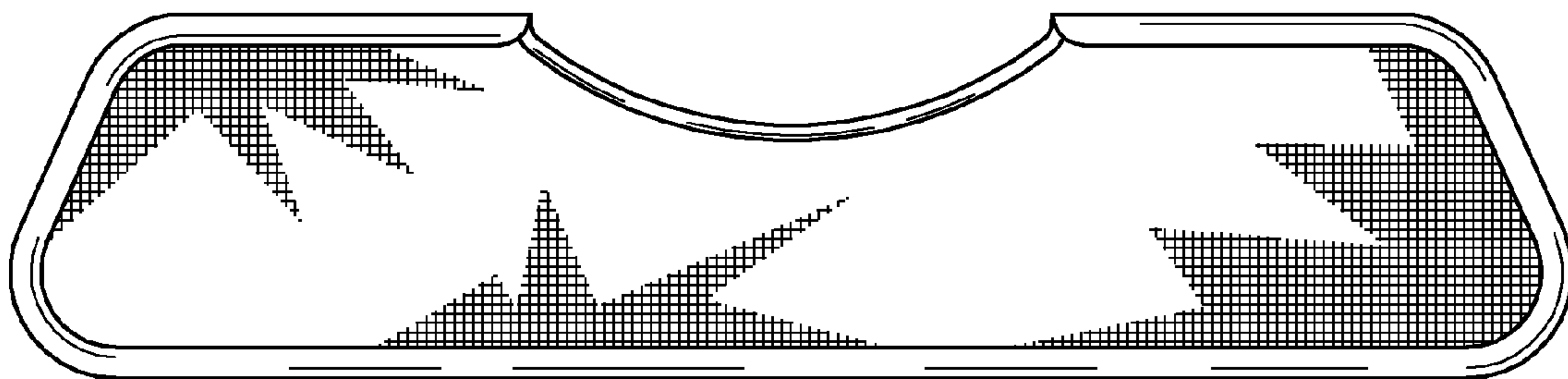


Fig.4



Fig. 5

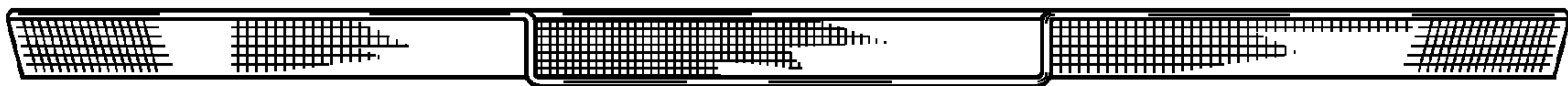


Fig. 6



Fig. 7

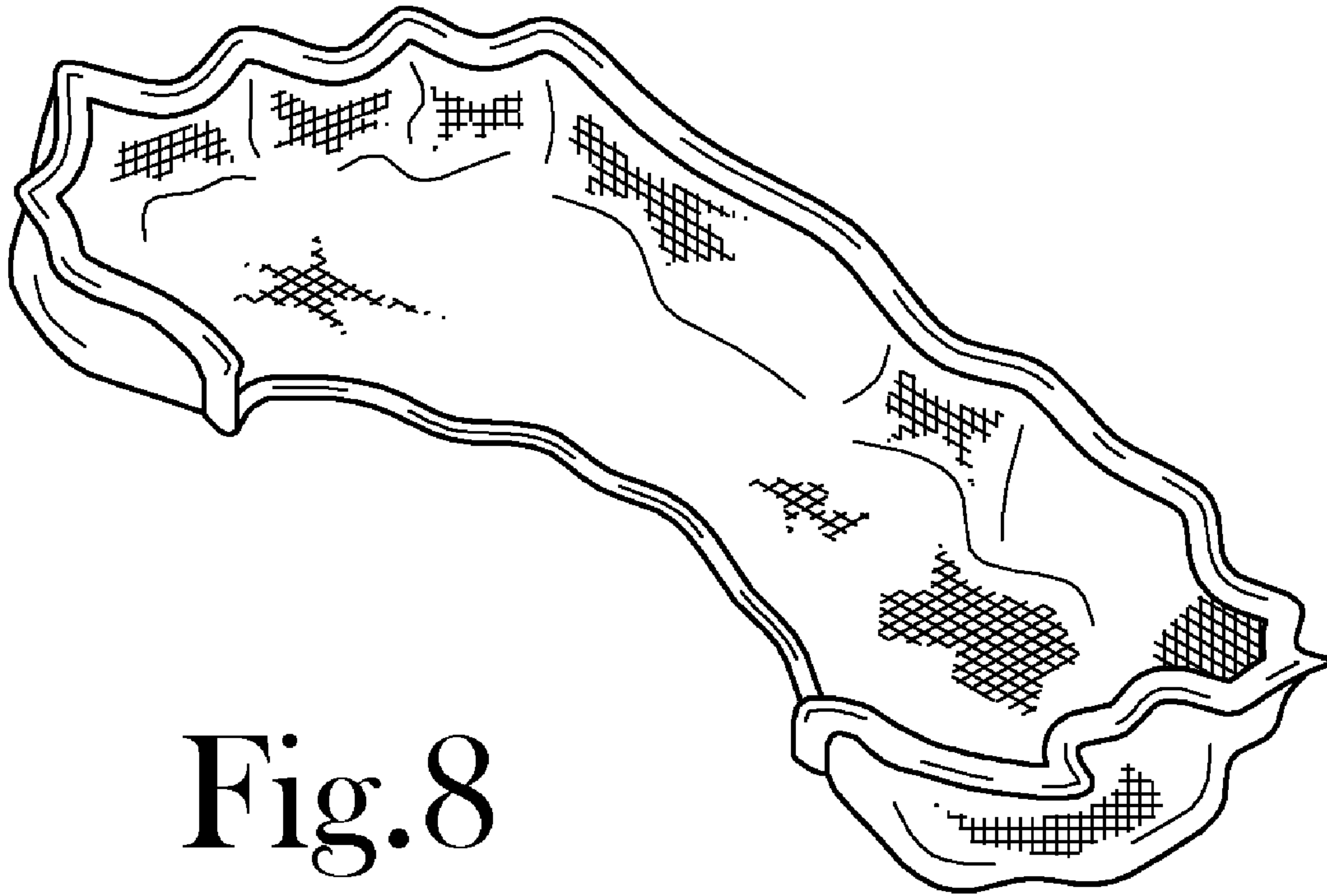


Fig. 8