



US00D555567S

(12) **United States Design Patent**  
**Schweizer**

(10) **Patent No.:** **US D555,567 S**

(45) **Date of Patent:** **\*\* Nov. 20, 2007**

(54) **FRONT FACE OF A VEHICLE WHEEL**

(75) Inventor: **Oliver Schweizer**, Stuttgart (DE)

(73) Assignee: **Bayerische Motoren Werke  
Aktiengesellschaft**, Munich (DE)

(\*\*) Term: **14 Years**

(21) Appl. No.: **29/270,365**

(22) Filed: **Dec. 21, 2006**

(30) **Foreign Application Priority Data**

Jun. 22, 2006 (DE) ..... 4 06 03 373

(51) **LOC (8) Cl.** ..... **12-16**

(52) **U.S. Cl.** ..... **D12/211**

(58) **Field of Classification Search** ..... D12/204-213;  
301/37.101, 64.101, 65

See application file for complete search history.

(56) **References Cited**

**U.S. PATENT DOCUMENTS**

- D402,951 S 12/1998 Wechner
- D419,945 S \* 2/2000 Hartanto ..... D12/211
- D479,178 S \* 9/2003 Lai ..... D12/211

- D499,686 S \* 12/2004 Song ..... D12/211
- D502,679 S \* 3/2005 Boyer ..... D12/211
- D509,467 S \* 9/2005 Gabath ..... D12/211
- D516,489 S \* 3/2006 Alonso ..... D12/211
- D520,933 S \* 5/2006 Pfeiffer ..... D12/211
- D522,439 S \* 6/2006 Laengerer ..... D12/211
- D522,954 S \* 6/2006 Hueller ..... D12/211
- D528,962 S \* 9/2006 Blasi ..... D12/211
- D532,358 S \* 11/2006 Blasi ..... D12/211
- D535,604 S \* 1/2007 Markefka ..... D12/211
- D539,722 S \* 4/2007 Pfeiffer ..... D12/211

\* cited by examiner

*Primary Examiner*—Stacia Cadmus

(74) *Attorney, Agent, or Firm*—Crowell & Moring LLP

(57) **CLAIM**

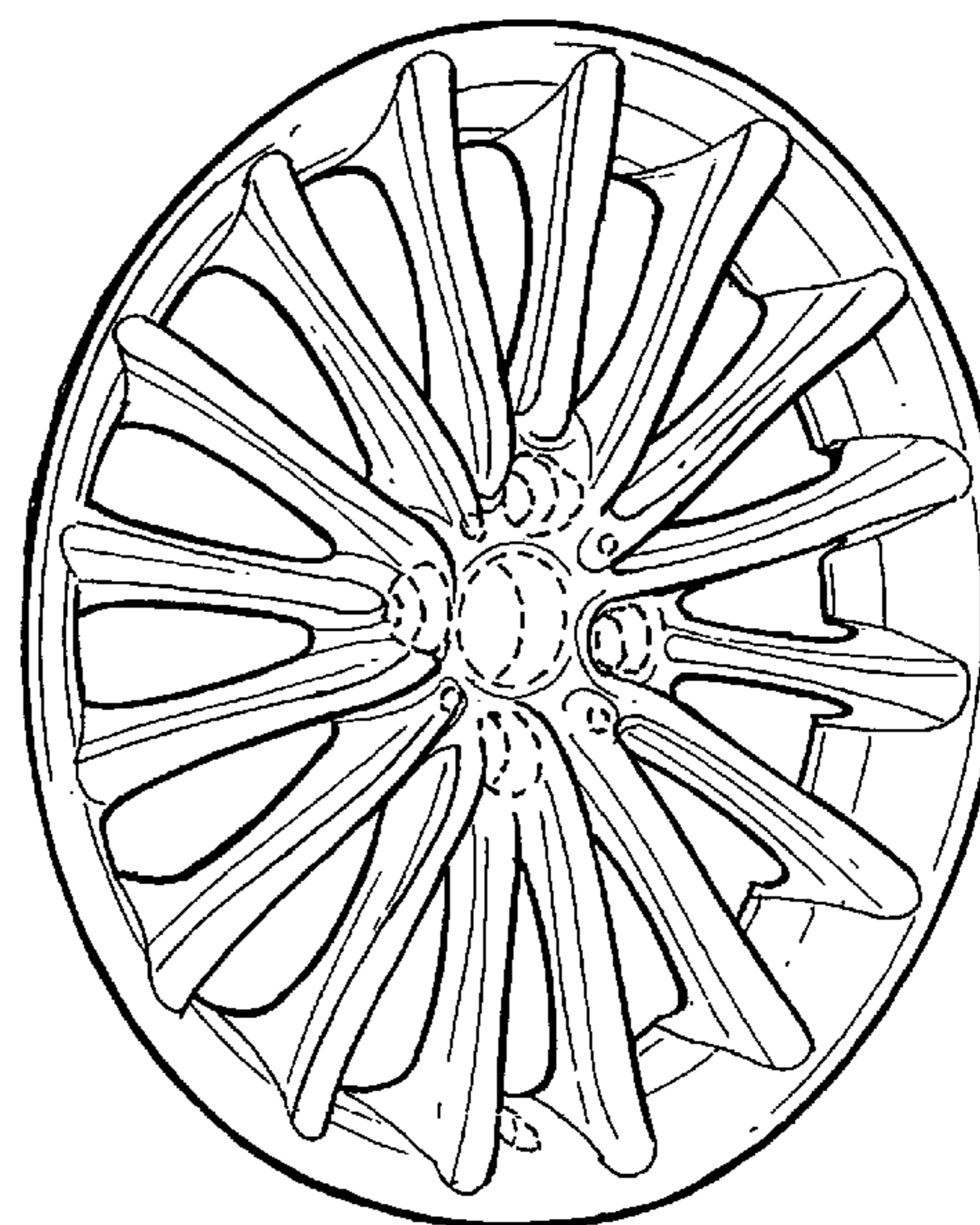
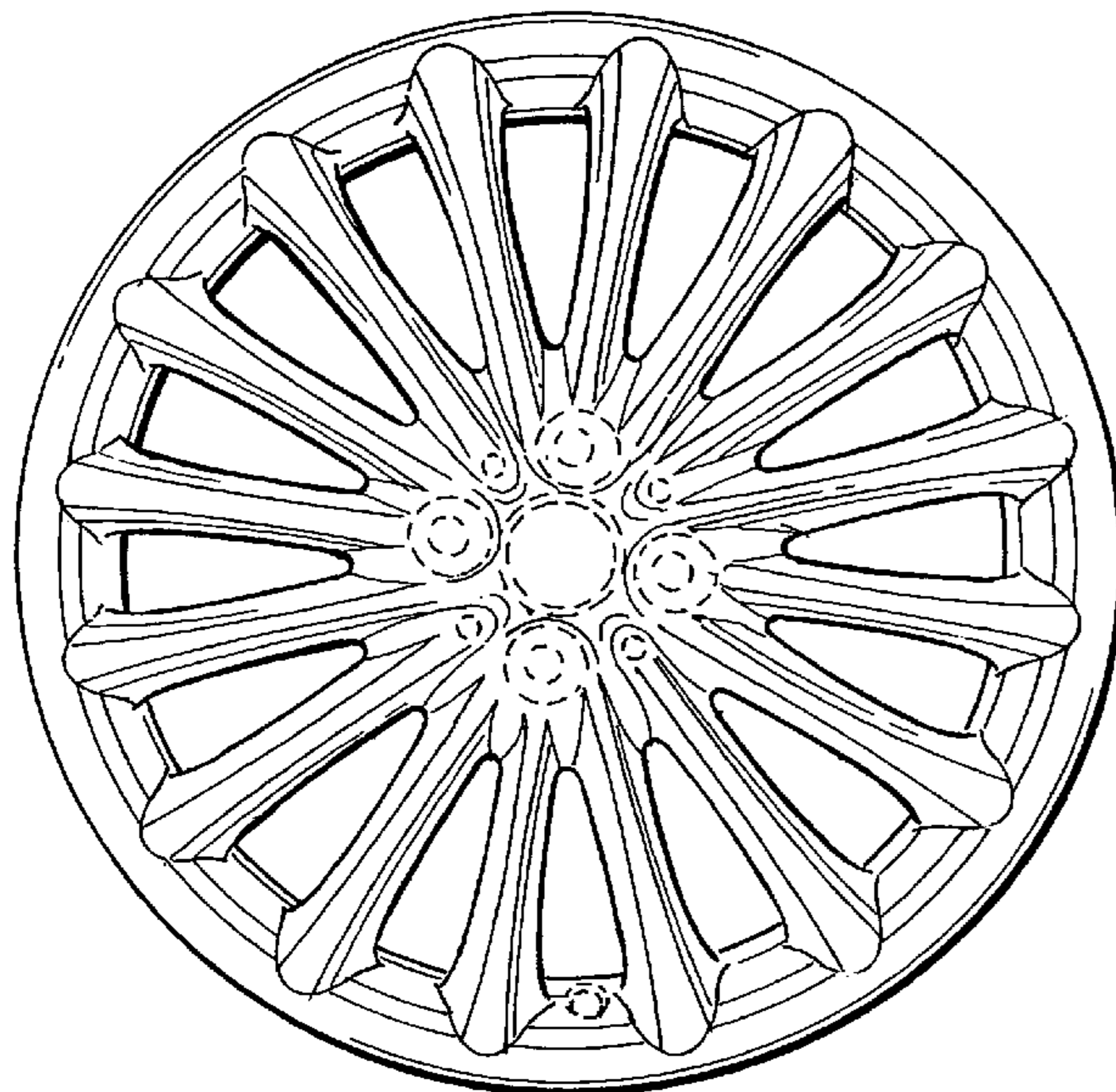
The ornamental design for a front face of a vehicle wheel, as shown and described.

**DESCRIPTION**

FIG. 1 is a front view of a front face of a vehicle wheel according to my novel design; and,

FIG. 2 is a perspective view thereof.

**1 Claim, 1 Drawing Sheet**



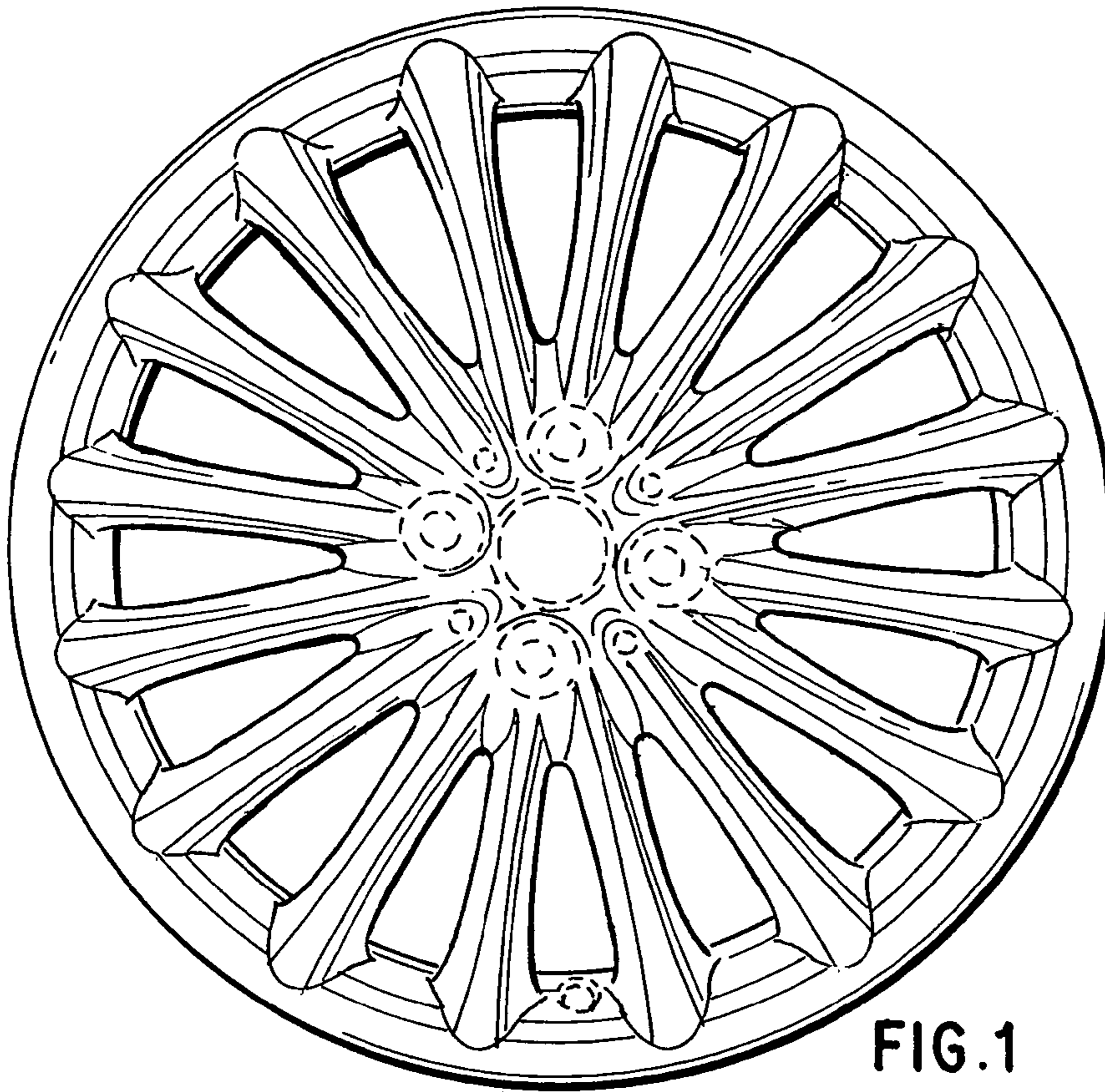


FIG. 1

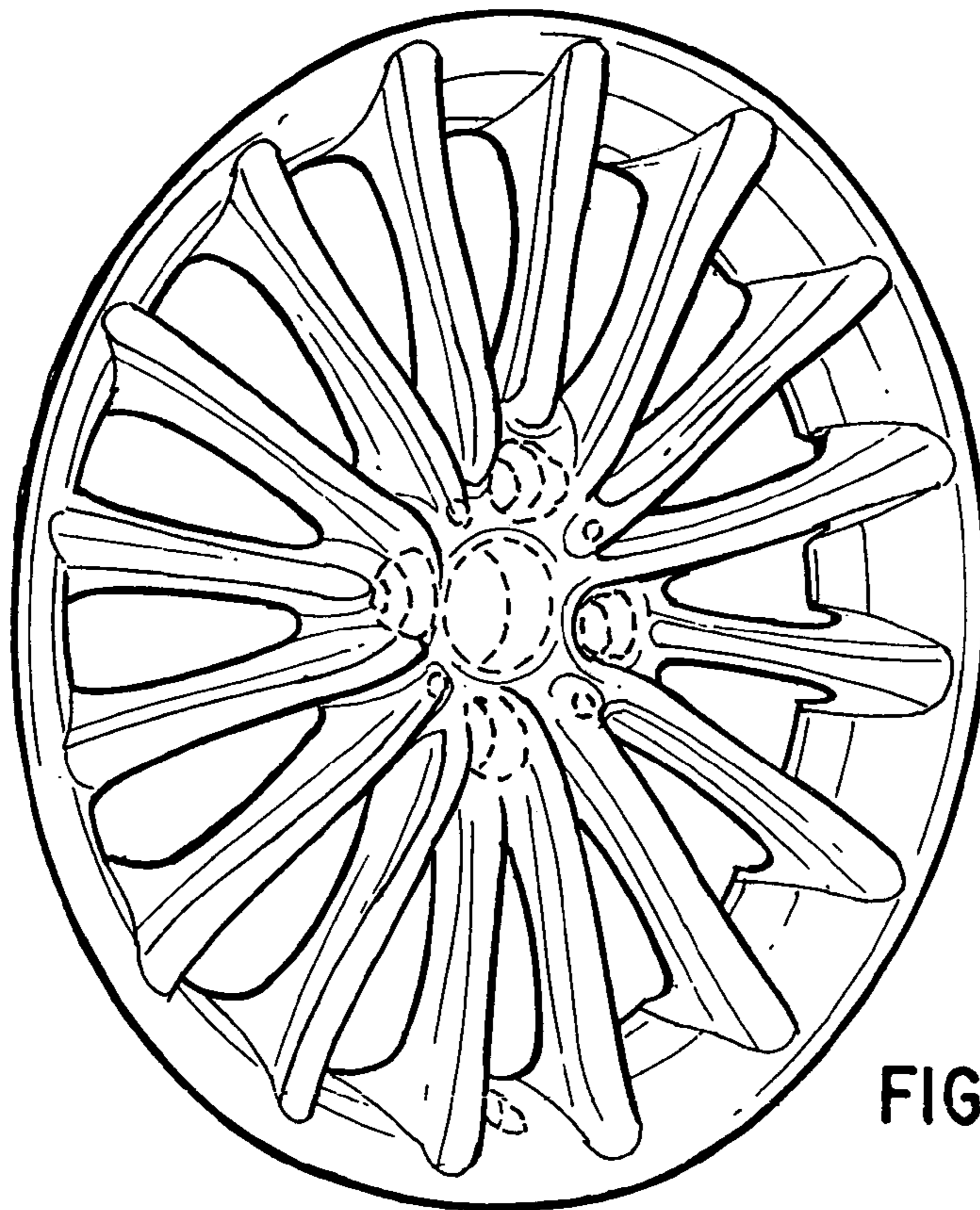


FIG. 2