



US00D555566S

(12) **United States Design Patent**
Hlinovsky

(10) **Patent No.:** **US D555,566 S**

(45) **Date of Patent:** **** Nov. 20, 2007**

(54) **FRONT FACE OF A VEHICLE WHEEL**

(75) Inventor: **Robert Hlinovsky**, Munich (DE)

(73) Assignee: **Bayerische Motoren Werke
Aktiengesellschaft**, Munich (DE)

(**) Term: **14 Years**

(21) Appl. No.: **29/270,364**

(22) Filed: **Dec. 21, 2006**

(30) **Foreign Application Priority Data**

Jun. 22, 2006 (DE) 4 06 03 373

(51) **LOC (8) Cl.** **12-16**

(52) **U.S. Cl.** **D12/209**

(58) **Field of Classification Search** D12/204-213;
301/37.101, 64.101, 65
See application file for complete search history.

(56) **References Cited**

U.S. PATENT DOCUMENTS

D412,693 S *	8/1999	Kulla	D12/211
D493,405 S *	7/2004	Boyer	D12/211
D494,124 S *	8/2004	Aiello et al.	D12/211
D500,470 S *	1/2005	Rice	D12/211
D503,917 S *	4/2005	Kushartanto	D12/209

D505,903 S *	6/2005	Nordmann	D12/209
D515,997 S *	2/2006	Phillips	D12/209
D516,000 S *	2/2006	Ditty	D12/209
D522,953 S *	6/2006	Guevara	D12/211
D525,928 S *	8/2006	Pfeiffer	D12/209
D527,325 S *	8/2006	Nagashima	D12/209
D529,429 S *	10/2006	Hsu	D12/209
D541,204 S *	4/2007	Huet	D12/211

* cited by examiner

Primary Examiner—Stacia Cadmus

(74) *Attorney, Agent, or Firm*—Crowell & Moring LLP

(57) **CLAIM**

The ornamental design for a front face of a vehicle wheel, as shown and described.

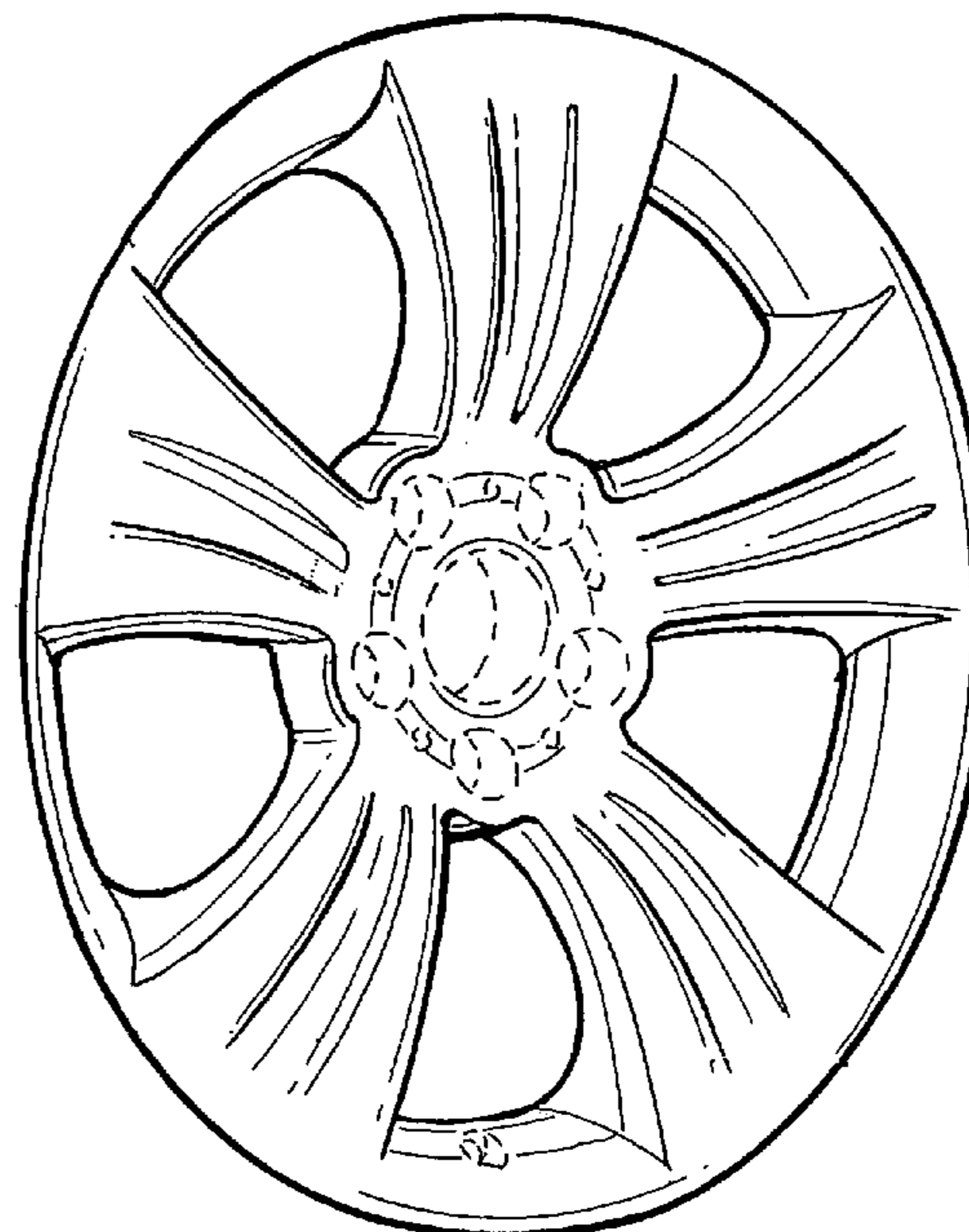
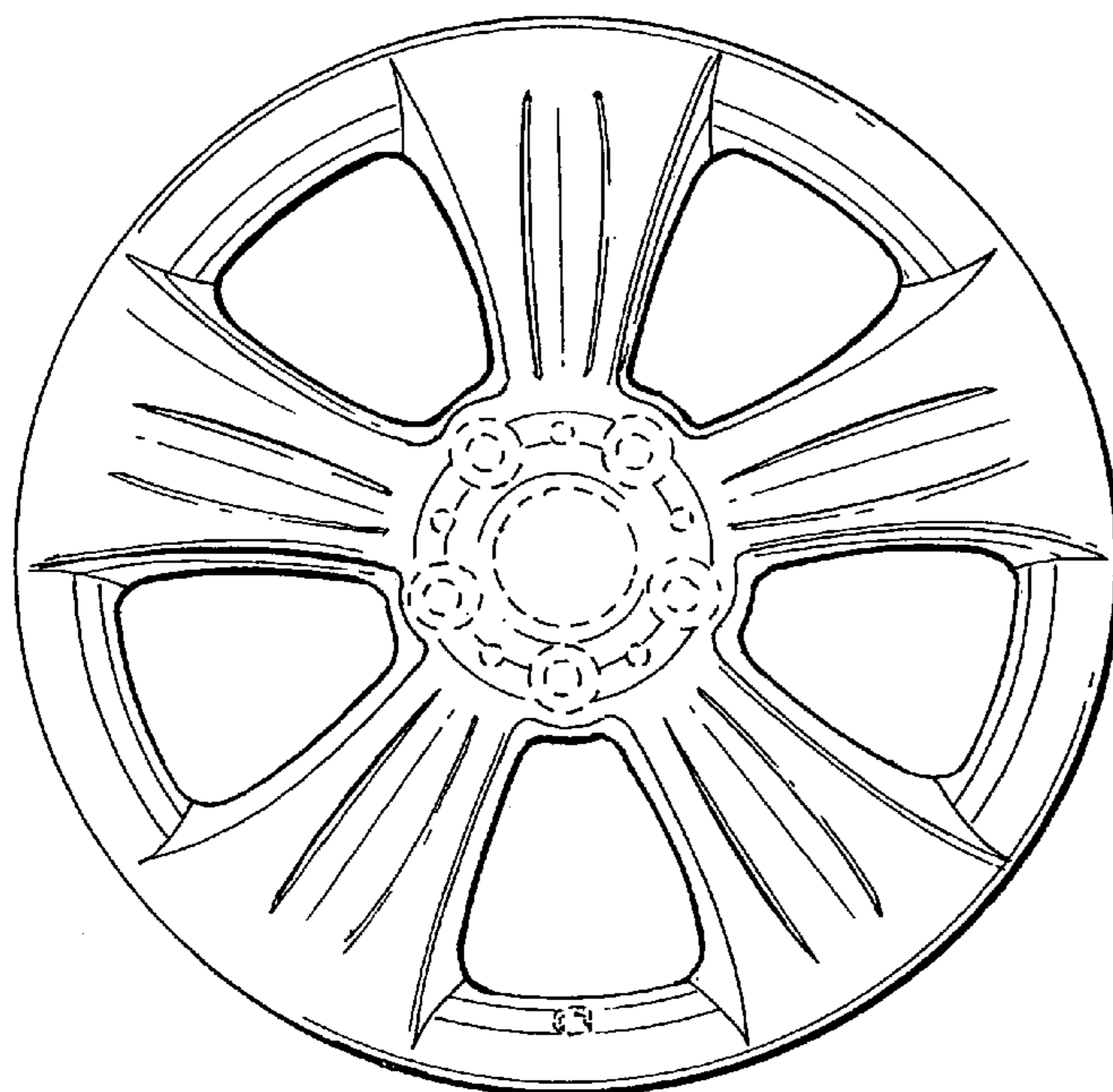
DESCRIPTION

This application is related to the following co-pending applications: application Ser. No. 29/244,831, entitled "Front Face of a Vehicle Wheel"; and application Ser. No. 29/258,758, entitled "Front Face of a Vehicle Wheel".

FIG. 1 is a front view of a front face of a vehicle wheel according to my novel design; and,

FIG. 2 is a perspective view thereof.

1 Claim, 1 Drawing Sheet



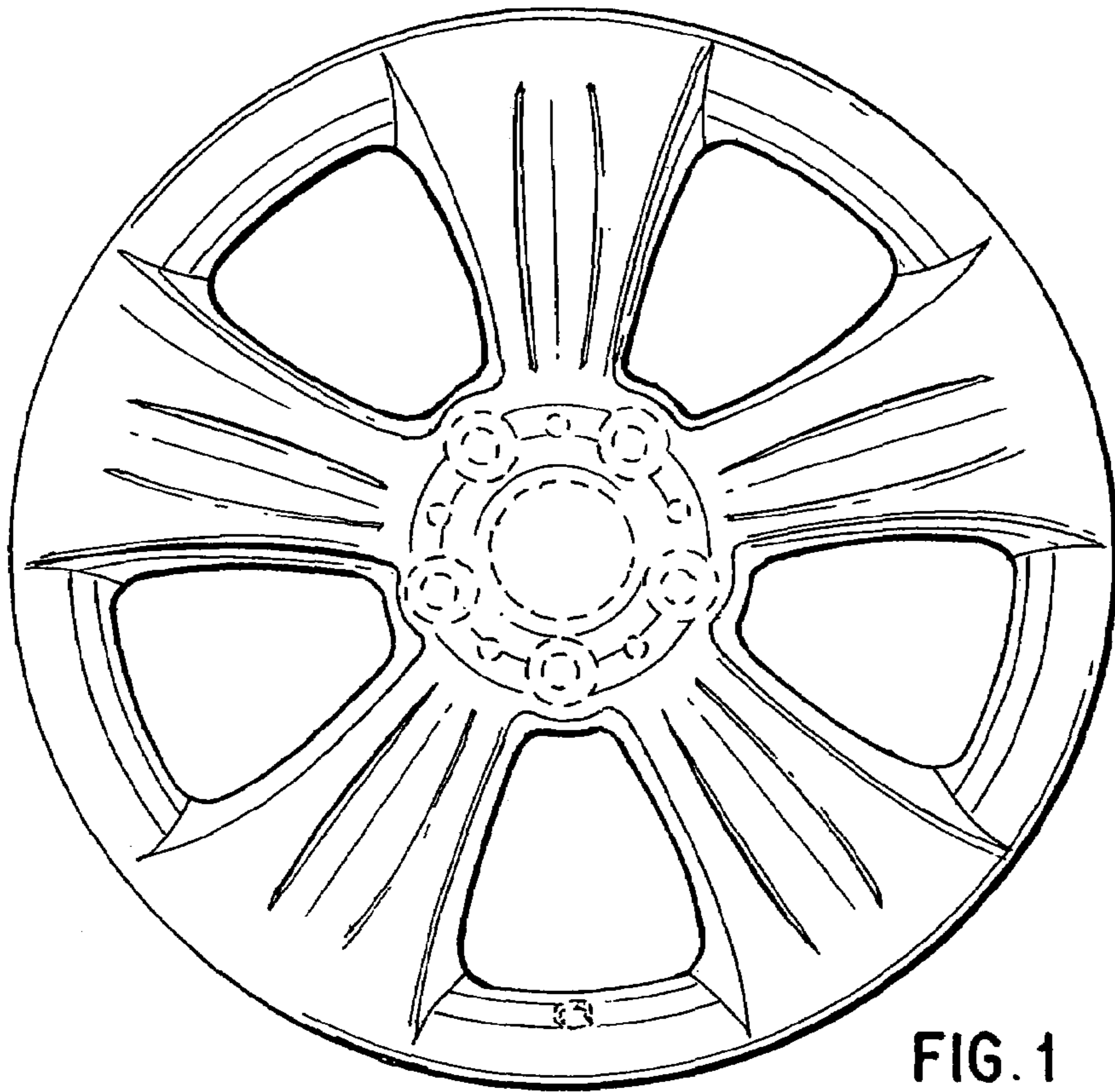


FIG. 1

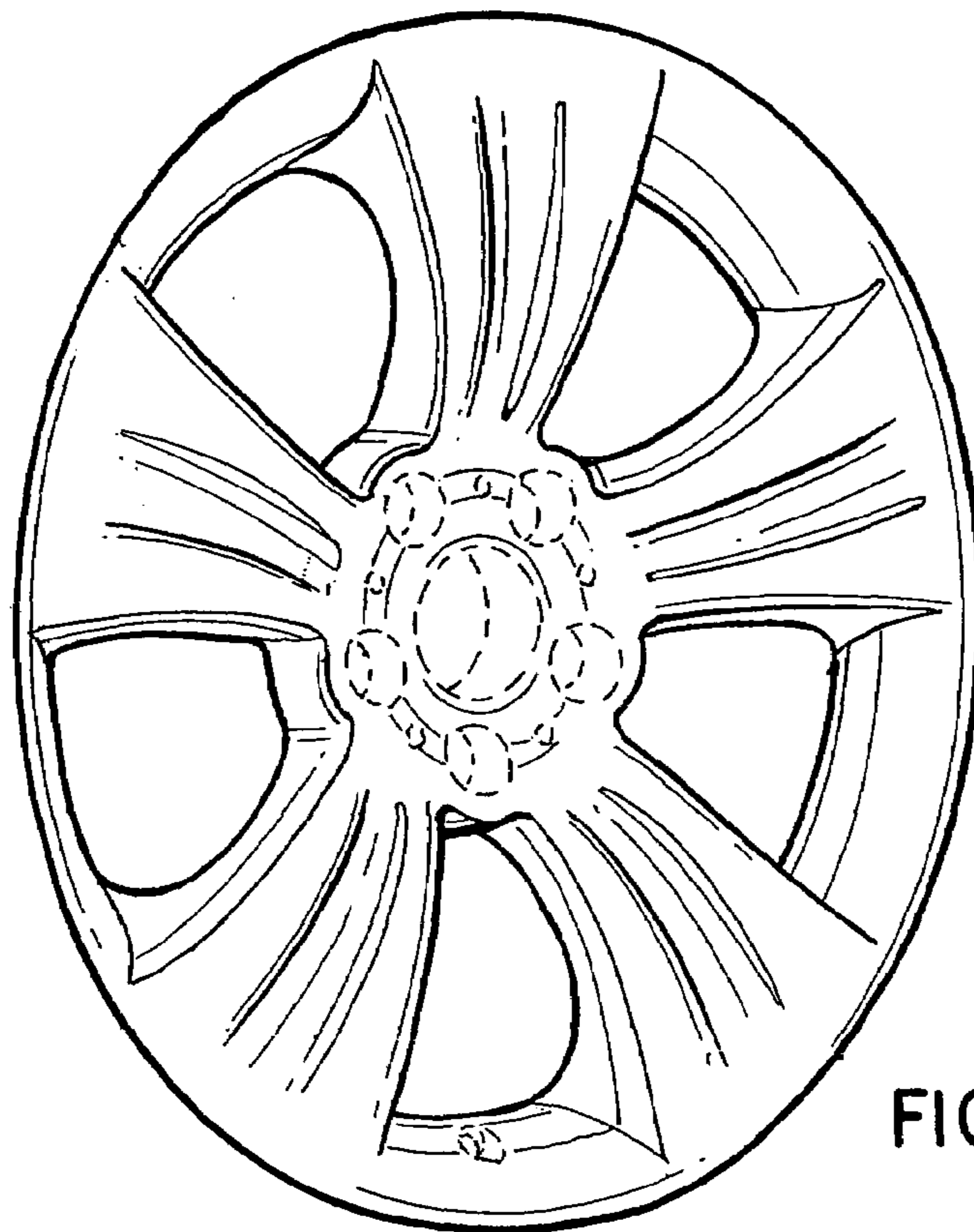


FIG. 2