



US00D555555S

(12) **United States Design Patent**
Ikuzawa et al.

(10) **Patent No.:** **US D555,555 S**

(45) **Date of Patent:** **** Nov. 20, 2007**

(54) **CALIPERS FOR DISC BRAKES**

(75) Inventors: **Tetsu Ikuzawa**, Tokyo-to (JP);
Toshiyuki Negishi, Tokyo-to (JP);
Takayuki Ichige, Tokyo-to (JP);
Tetsuya Noguchi, Tokyo-to (JP)

(73) Assignee: **Akebono Brake Industry Co., Ltd.**,
Chuo-ku, Tokyo (JP)

(**) Term: **14 Years**

(21) Appl. No.: **29/279,019**

(22) Filed: **Apr. 17, 2007**

(30) **Foreign Application Priority Data**

Nov. 7, 2006 (JP) 2006-030356

(51) **LOC (8) Cl.** **12-16**

(52) **U.S. Cl.** **D12/180**

(58) **Field of Classification Search** D12/180;
188/73.3, 71.1, 73.31–73.39, 72.4, 72.2,
188/73.41–73.46, 370, 218 XL, 1.11 W
See application file for complete search history.

(56) **References Cited**

U.S. PATENT DOCUMENTS

5,022,500	A	*	6/1991	Wang	188/73.31
D417,178	S	*	11/1999	Gallagher	D12/180
6,000,506	A	*	12/1999	Warwick	188/73.31
D458,199	S	*	6/2002	Demoise et al.	D12/180
D491,500	S	*	6/2004	Fujiwara et al.	D12/180
D492,229	S	*	6/2004	Barbosa et al.	D12/180
D493,754	S	*	8/2004	Barbosa et al.	D12/180
D506,714	S	*	6/2005	Ono	D12/180
D508,001	S	*	8/2005	Matsumoto	D12/180
D512,667	S	*	12/2005	Iwasaki	D12/180
D512,946	S	*	12/2005	Hatakoshi et al.	D12/180

D520,924	S	*	5/2006	Gotti et al.	D12/180
D522,420	S	*	6/2006	Crippa et al.	D12/180
D522,421	S	*	6/2006	Crippa et al.	D12/180
D523,794	S	*	6/2006	Strumbo et al.	D12/180
D527,321	S	*	8/2006	Gherardi et al.	D12/180

* cited by examiner

Primary Examiner—Stacia Cadmus

(74) *Attorney, Agent, or Firm*—Knobbe Martens Olson & Bear LLP

(57) **CLAIM**

The ornamental design for calipers for disc brakes, as shown.

DESCRIPTION

FIG. 1 is a perspective view as viewed from a front side of calipers for disc brakes configured in accordance with a preferred embodiment of the present invention;

FIG. 2 is a perspective view as viewed from a rear side of the calipers for disc brakes of FIG. 1;

FIG. 3 is a front view of the calipers for disc brakes of FIG. 1;

FIG. 4 is a rear view of the calipers for disc brakes of FIG. 1;

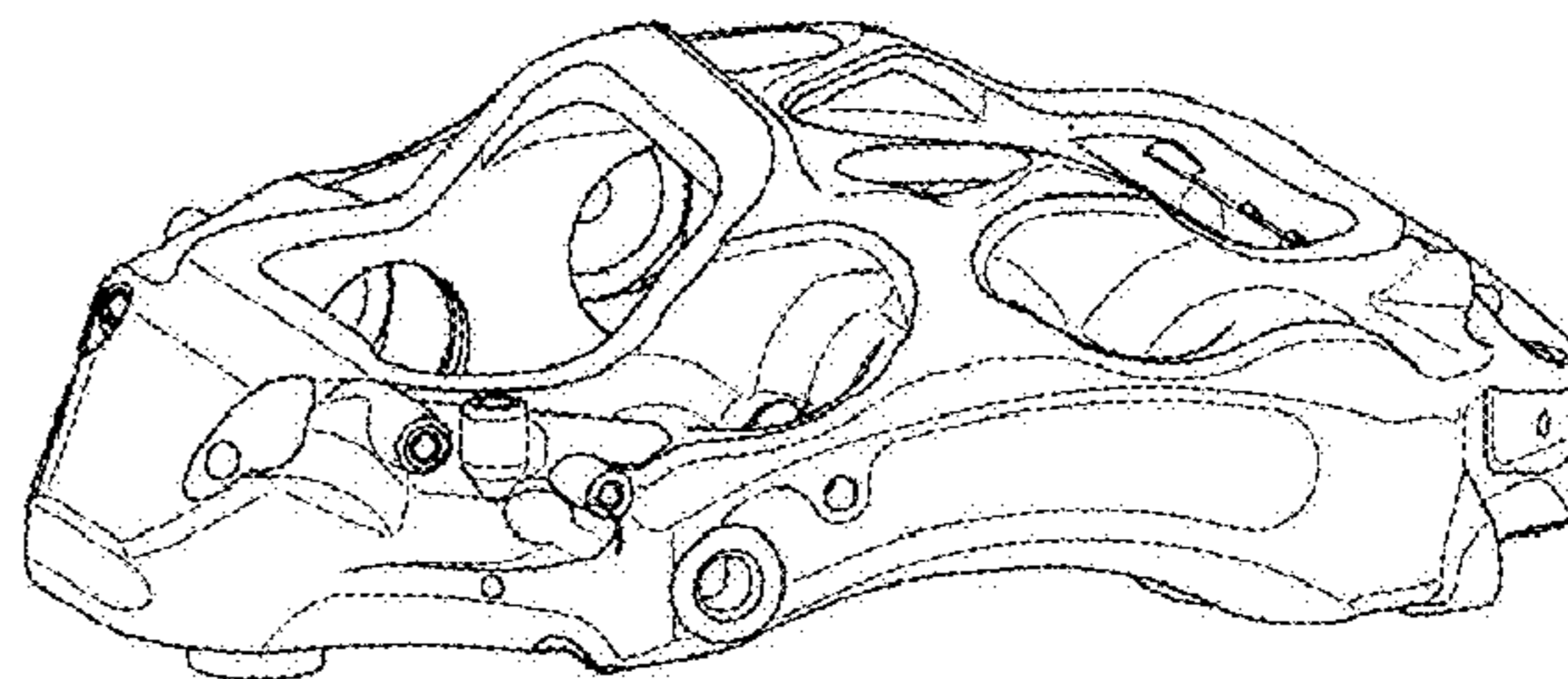
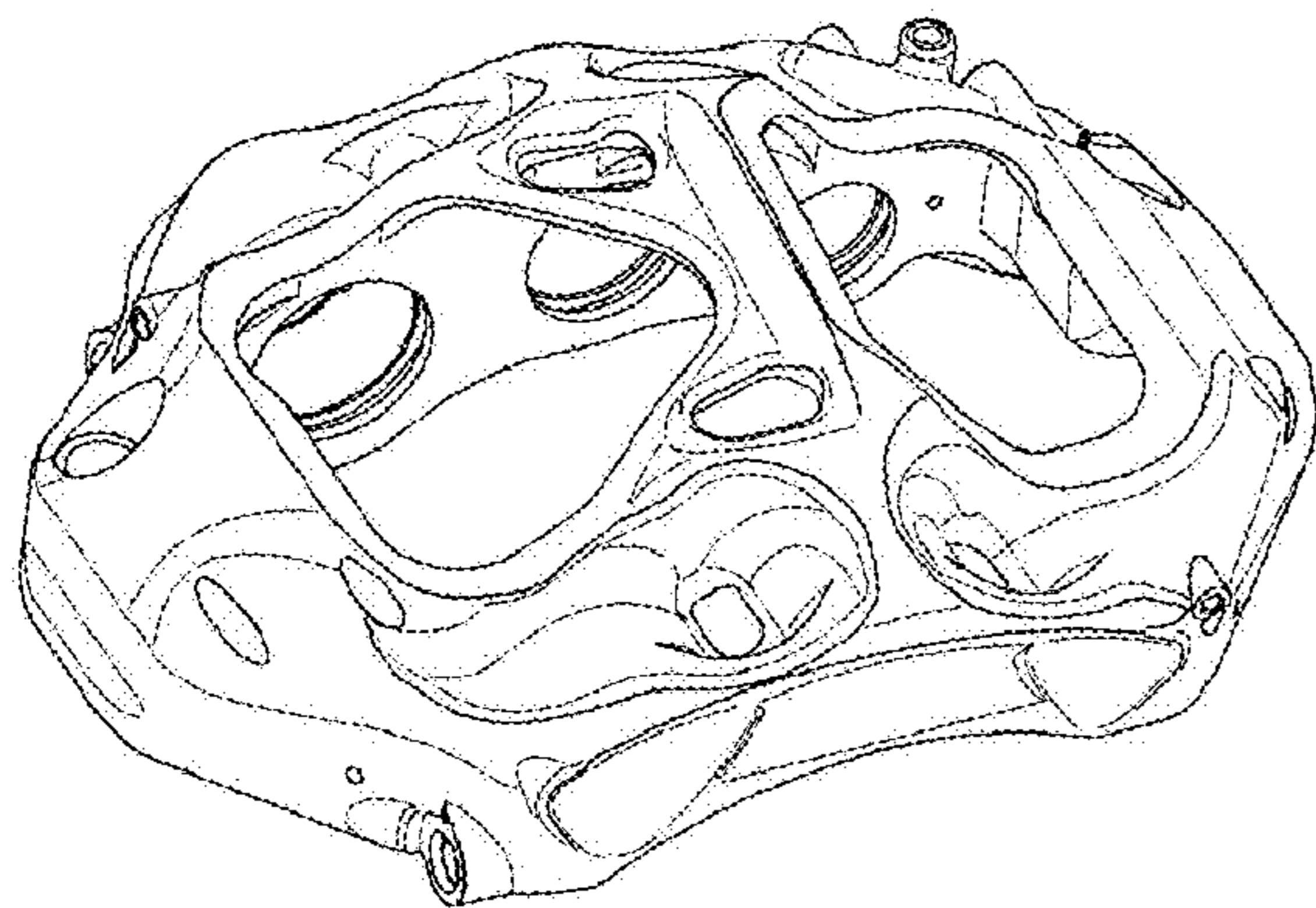
FIG. 5 is a right side view of the calipers for disc brakes of FIG. 1;

FIG. 6 is a left side view of the calipers for disc brakes of FIG. 1;

FIG. 7 is a top plan view of the calipers for disc brakes of FIG. 1; and,

FIG. 8 is a bottom view of the calipers for disc brakes of FIG. 1.

1 Claim, 4 Drawing Sheets



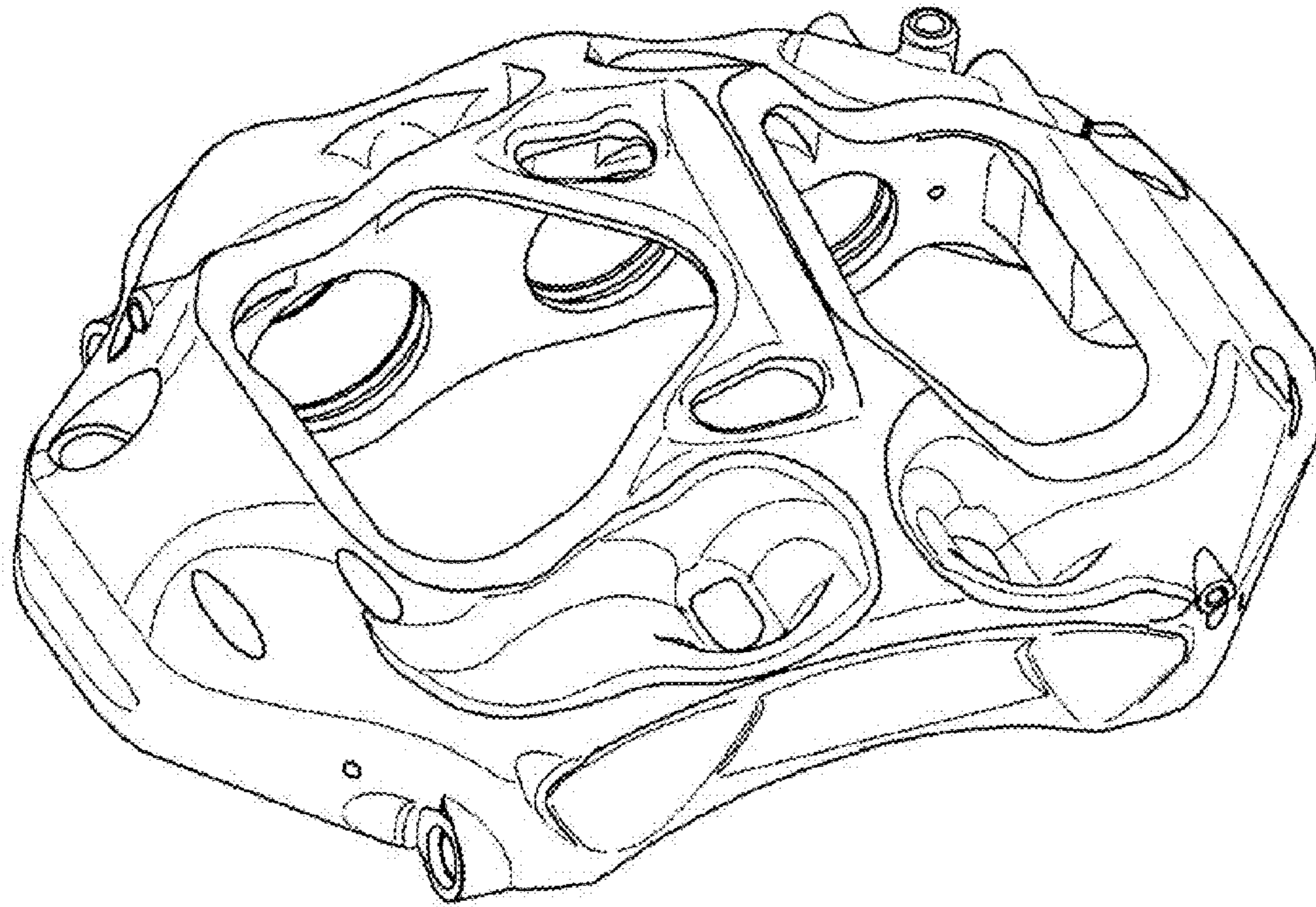


FIG. 1

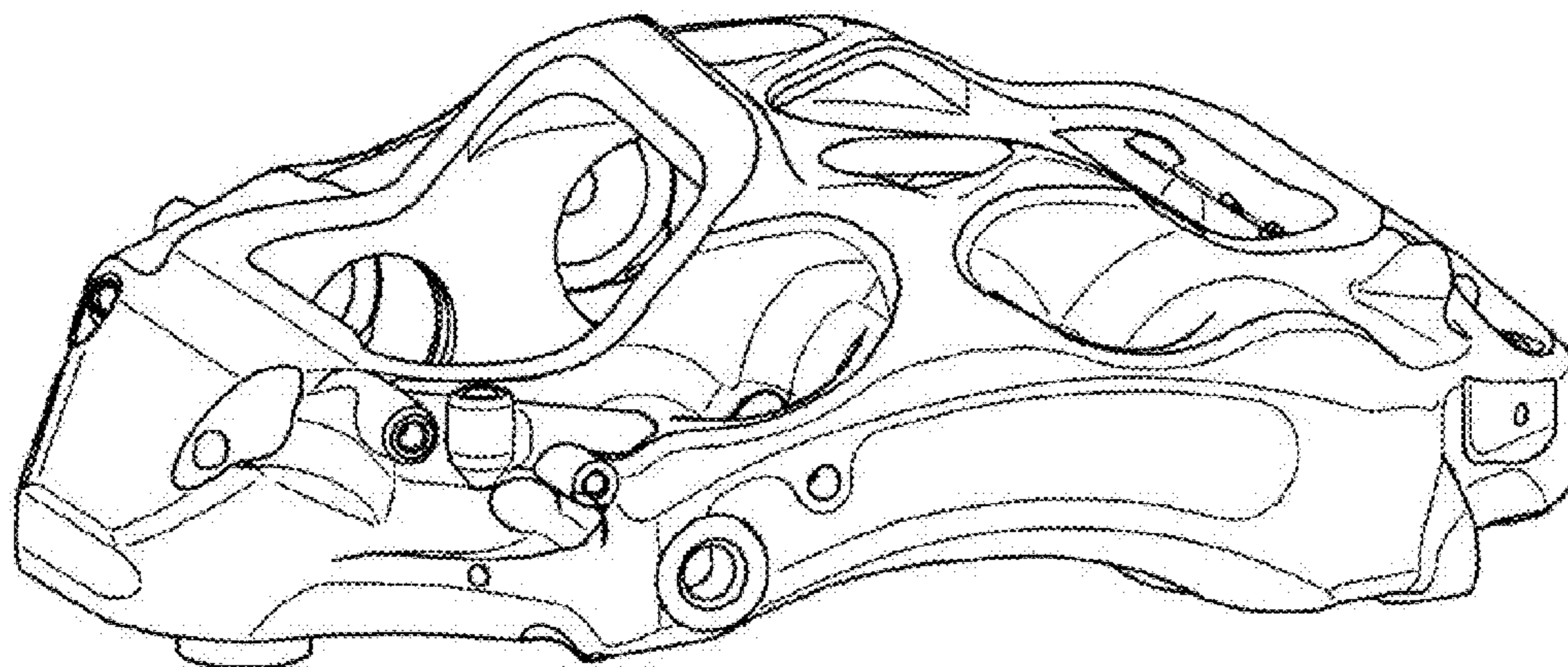


FIG. 2

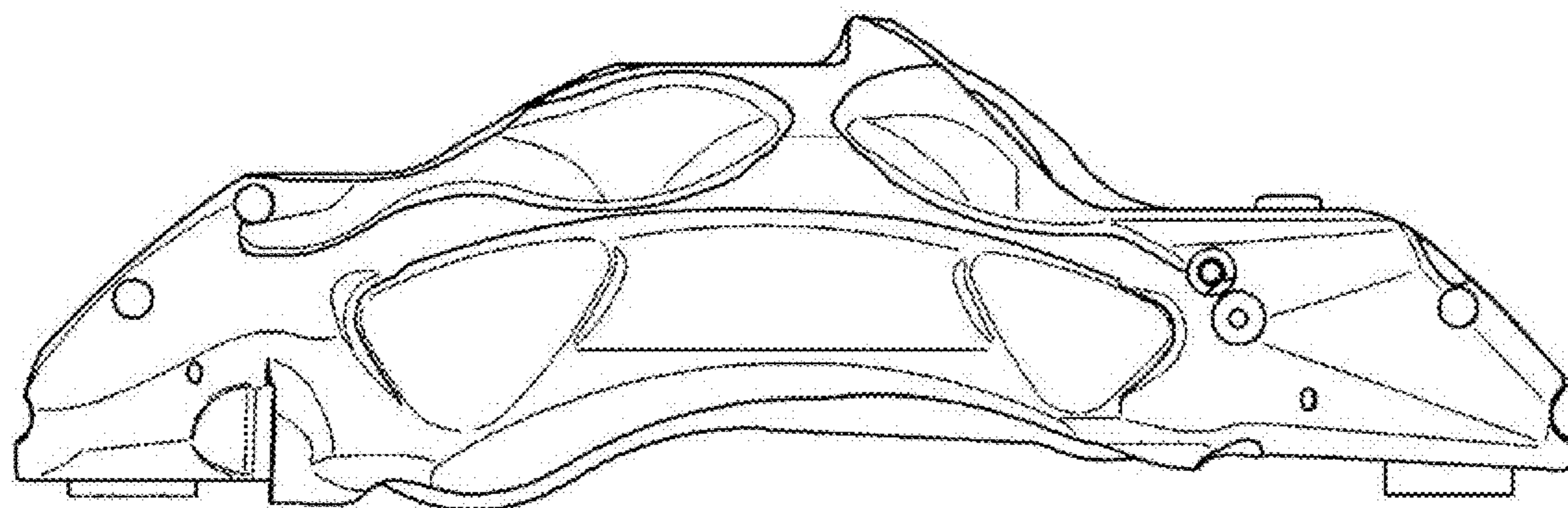


FIG. 3

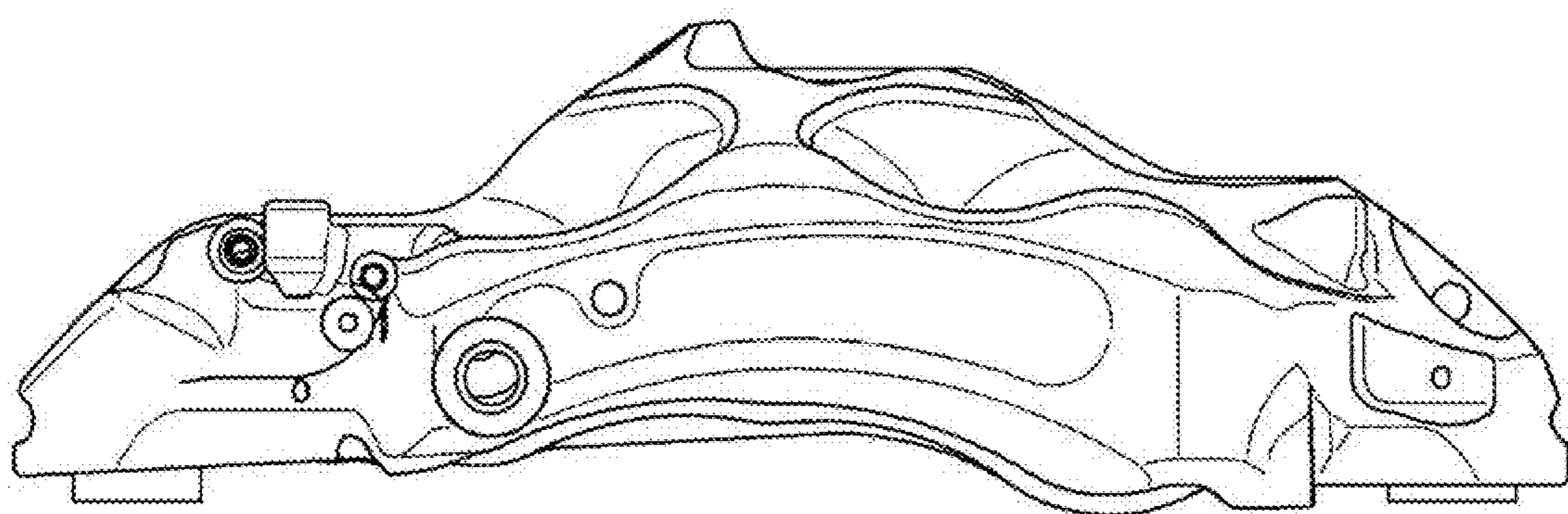


FIG. 4

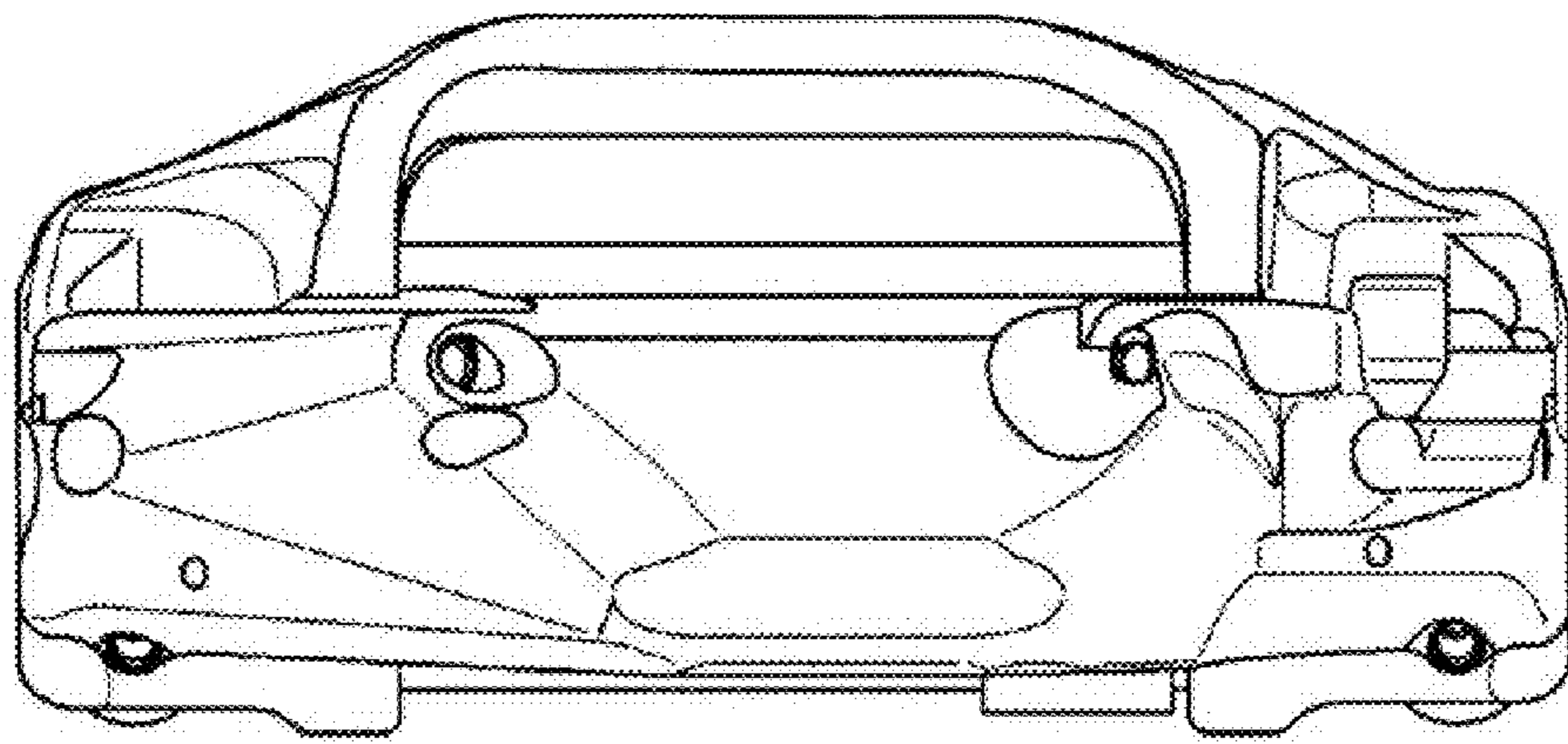


FIG. 5

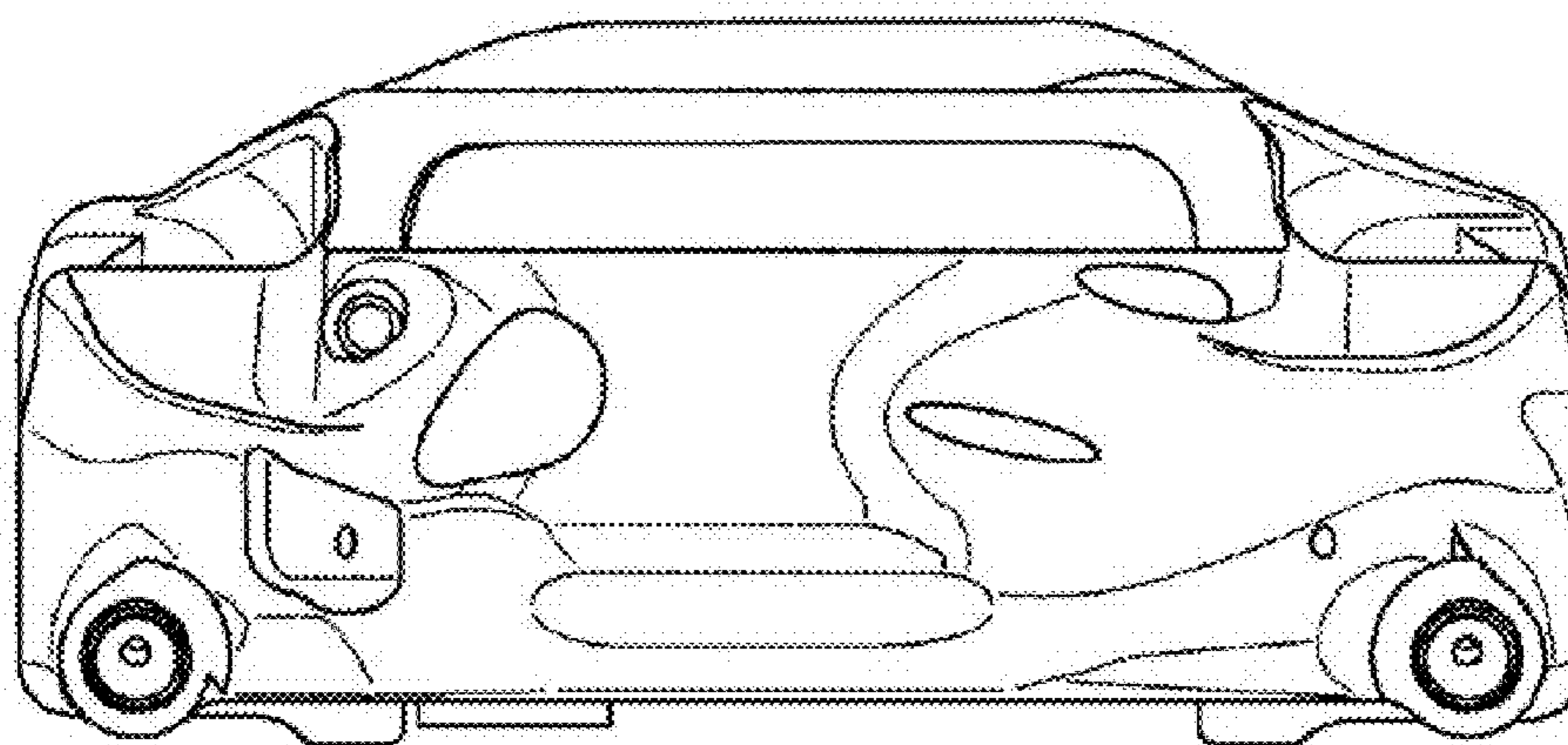


FIG. 6

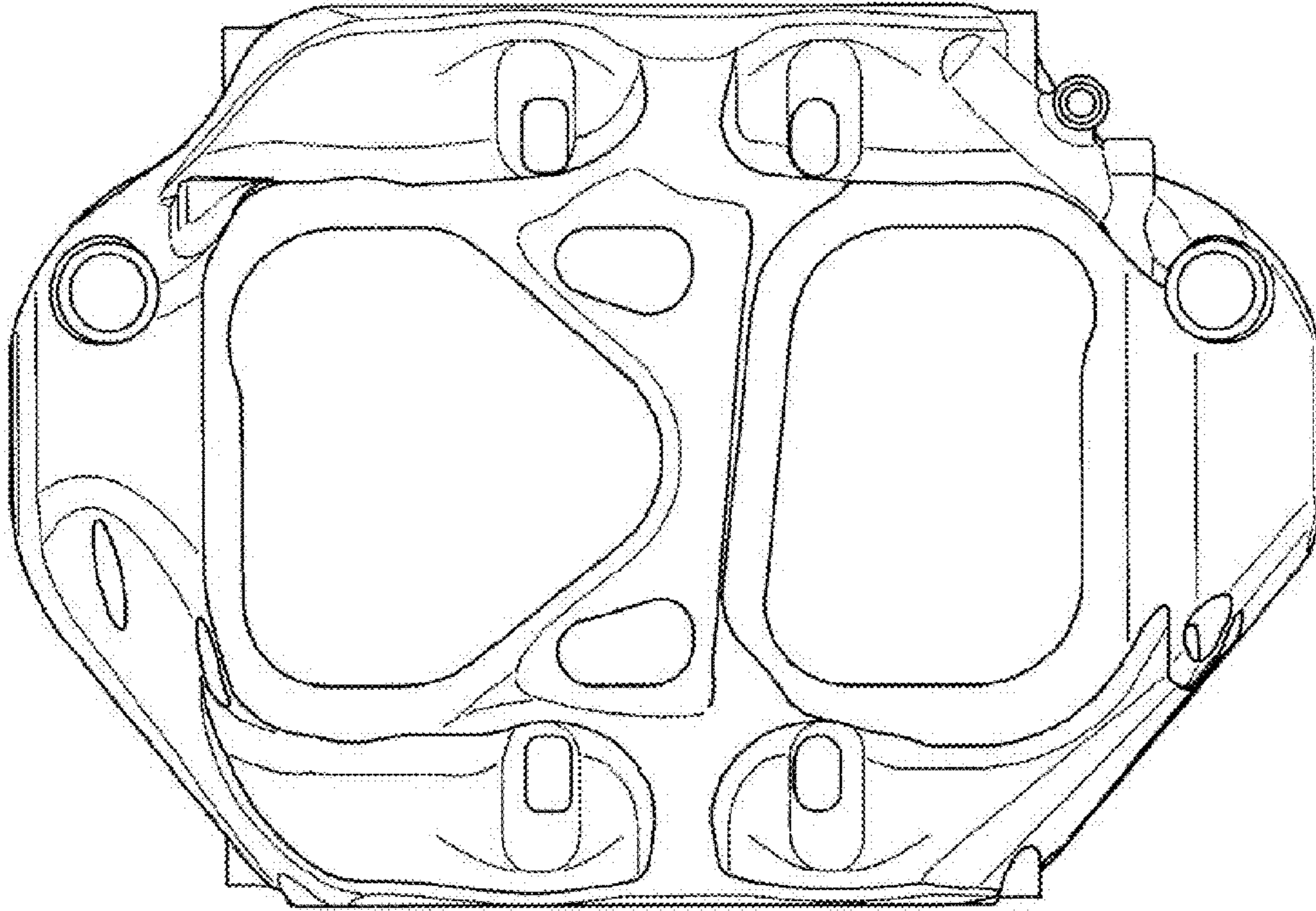


FIG. 7

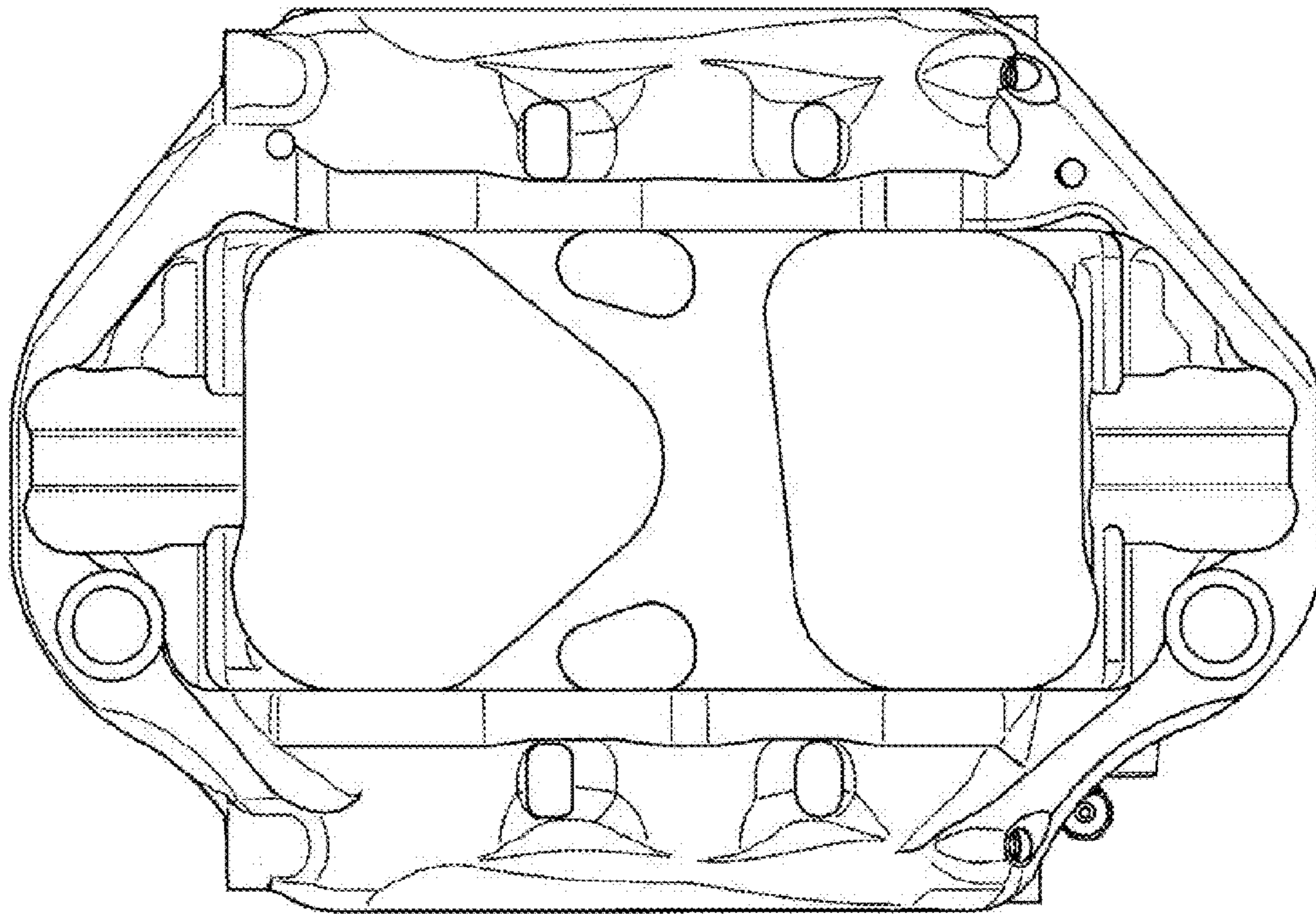


FIG. 8