



US00D555550S

(12) **United States Design Patent** (10) **Patent No.:** **US D555,550 S**  
**Schiavone et al.** (45) **Date of Patent:** **\*\* Nov. 20, 2007**

(54) **VEHICLE GRILLE**

D540,720 S \* 4/2007 Golden et al. .... D12/163

(75) Inventors: **Patrick Schiavone**, Bloomfield, MI (US); **George Bucher**, Dearborn, MI (US); **David Mahoney**, Orchard Lake, MI (US); **Edward Golden**, Pinckney, MI (US)

(73) Assignee: **Ford Global Technologies, LLC**, Dearborn, MI (US)

(\*\*) Term: **14 Years**

(21) Appl. No.: **29/248,369**

(22) Filed: **Aug. 11, 2006**

(51) **LOC (8) Cl.** ..... **12-16**

(52) **U.S. Cl.** ..... **D12/163**

(58) **Field of Classification Search** ..... D12/163, D12/171, 90-92, 216; 180/68.1, 68.6; 296/193.1  
See application file for complete search history.

(56) **References Cited**

**U.S. PATENT DOCUMENTS**

- D397,065 S \* 8/1998 Uematsu et al. .... D12/91
- D417,425 S \* 12/1999 Shimazu ..... D12/196
- D422,546 S \* 4/2000 Toyoda ..... D12/196
- D422,547 S \* 4/2000 Kitamura ..... D12/196
- D520,927 S \* 5/2006 Fisker et al. .... D12/196

**OTHER PUBLICATIONS**

- Ford Concept Equator, Tokyo 2005.
- Ford Concept 427 V10, Detroit 2003.
- Ford Concept Model U, Detroit 2003.
- Ford Five Hundred 4WD SEL, Detroit 2004.
- Ford Five Hundred 2006 SEL FWD 3.0 v6, Chicago 2006.
- Ford Fusion 2005, Detroit 2005.

\* cited by examiner

*Primary Examiner*—Melody N. Brown

(74) *Attorney, Agent, or Firm*—Damian Porcari

(57) **CLAIM**

The ornamental design for a vehicle grille, as shown and described.

**DESCRIPTION**

FIG. 1 is a front elevational view of a vehicle grille showing our new design;

FIG. 2 is a right side elevational view thereof;

FIG. 3 is a left side elevational view thereof;

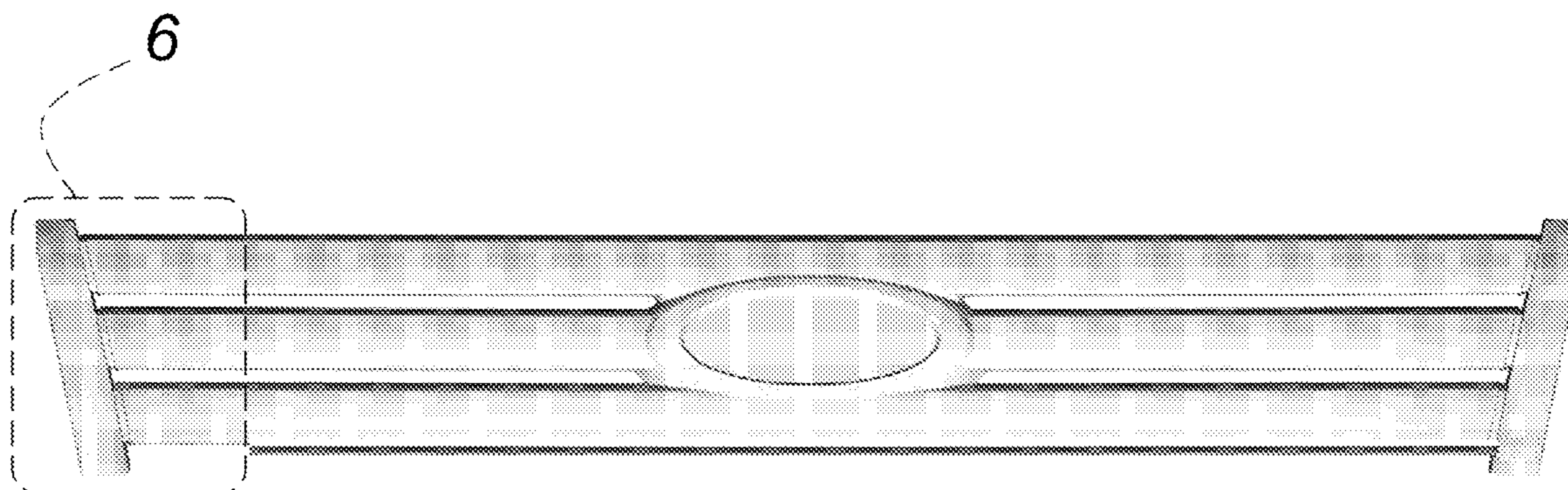
FIG. 4 is a top plan view thereof;

FIG. 5 is a bottom plan view thereof;

FIG. 6 is an enlarged fragmentary front elevational view thereof indicated as area 6 in FIG. 1; and,

FIG. 7 is a rear elevational view thereof.

**1 Claim, 6 Drawing Sheets**



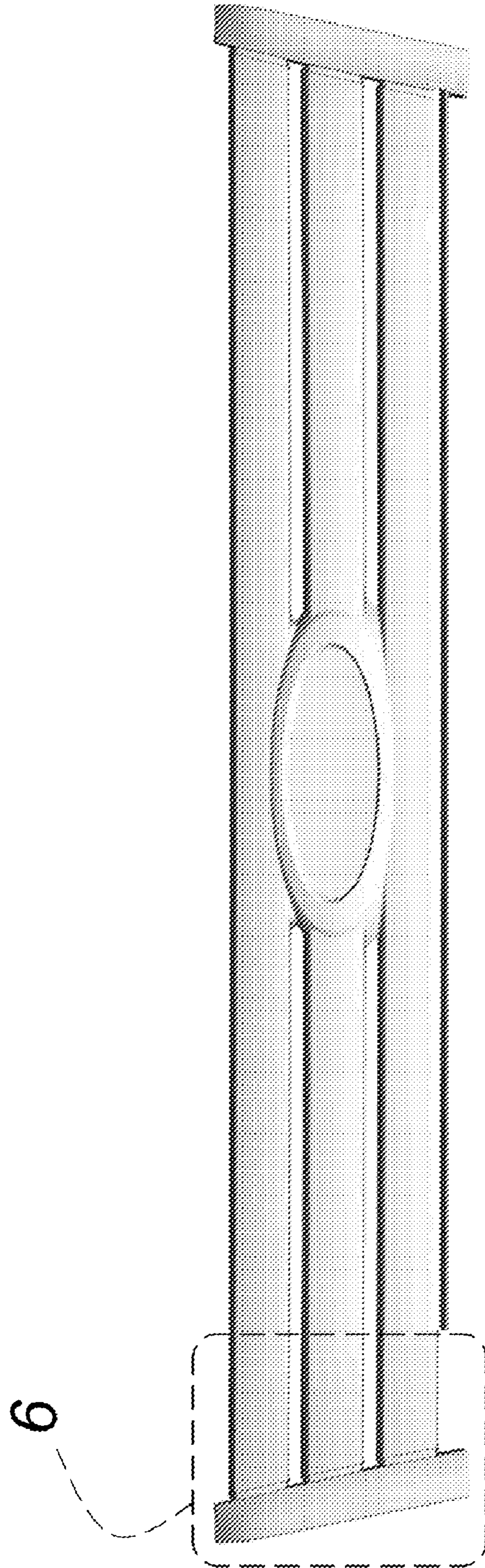


Figure 1

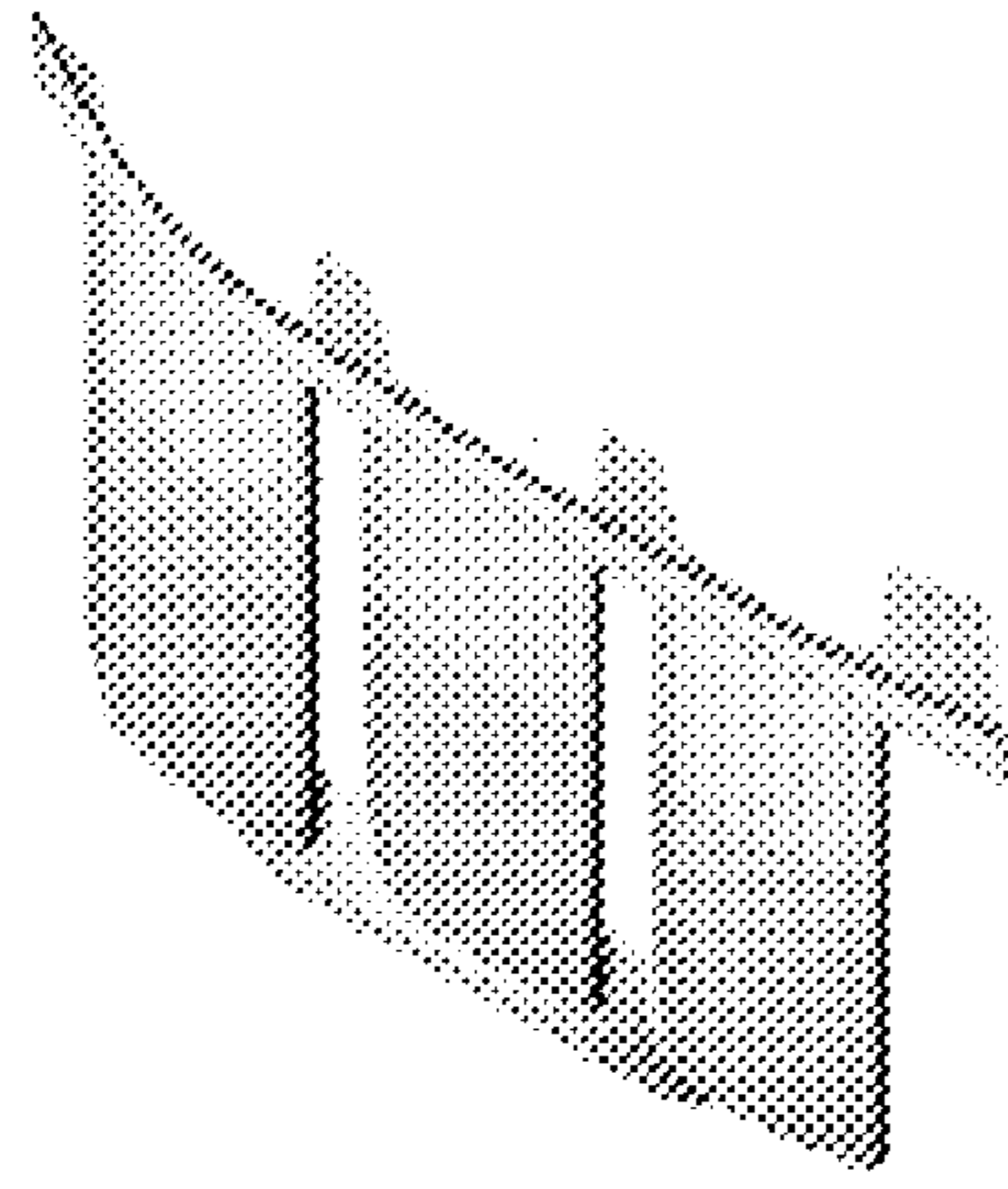


Figure 3

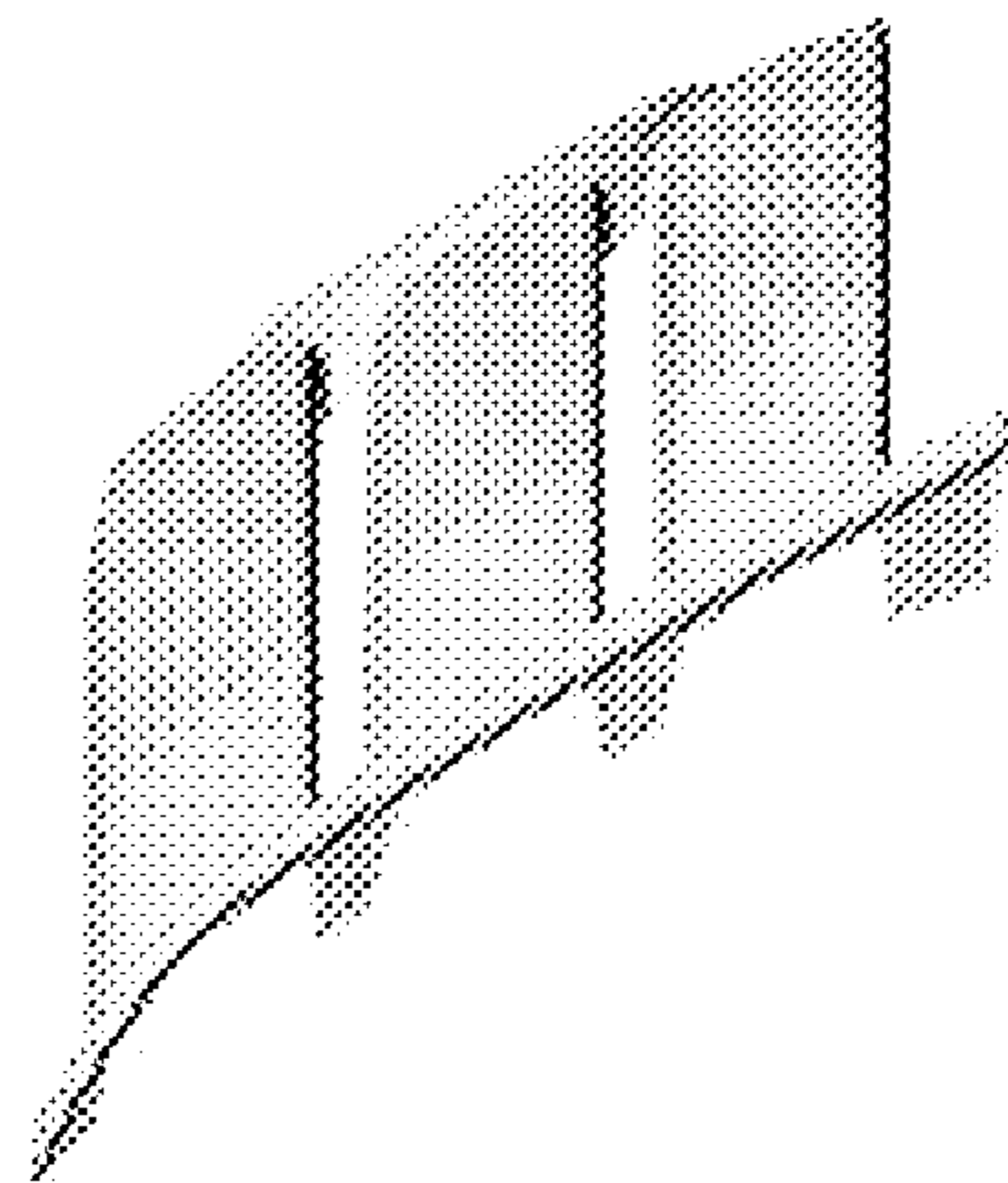


Figure 2

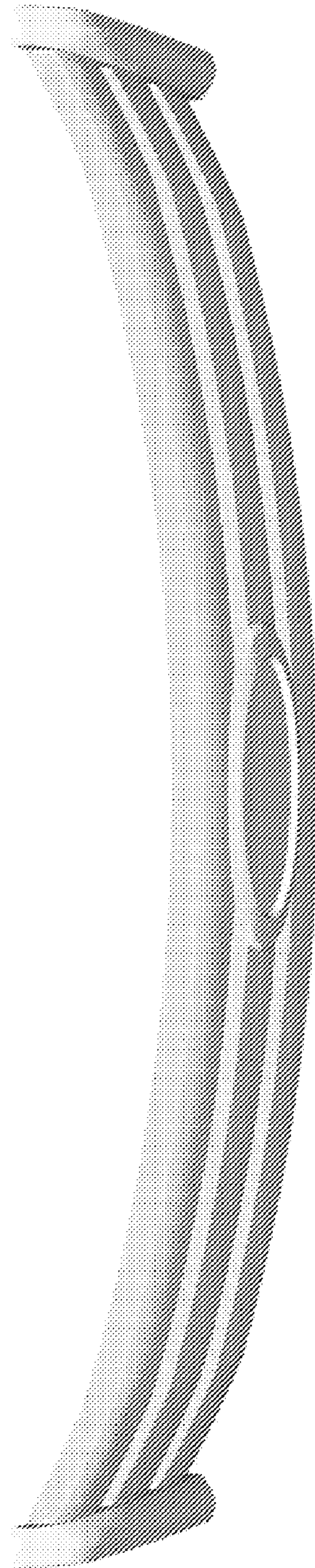


Figure 4

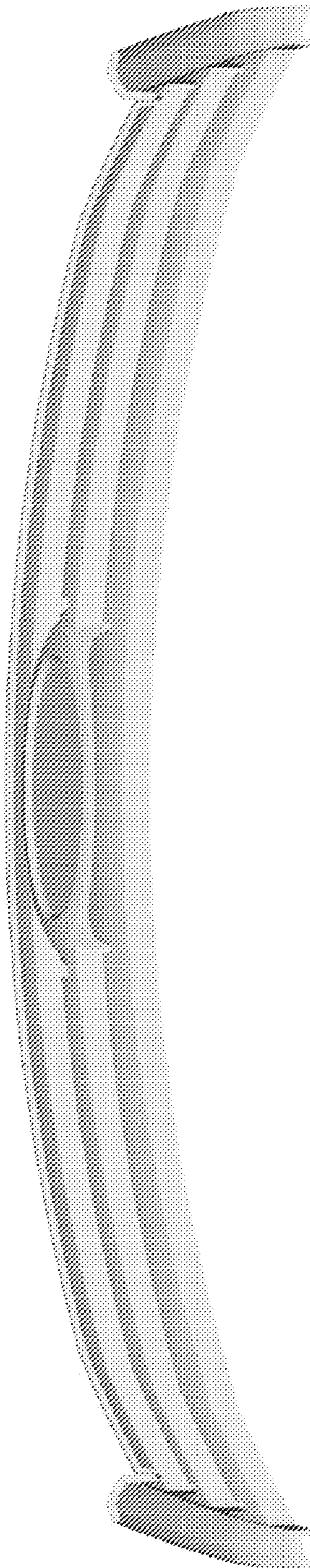


Figure 5

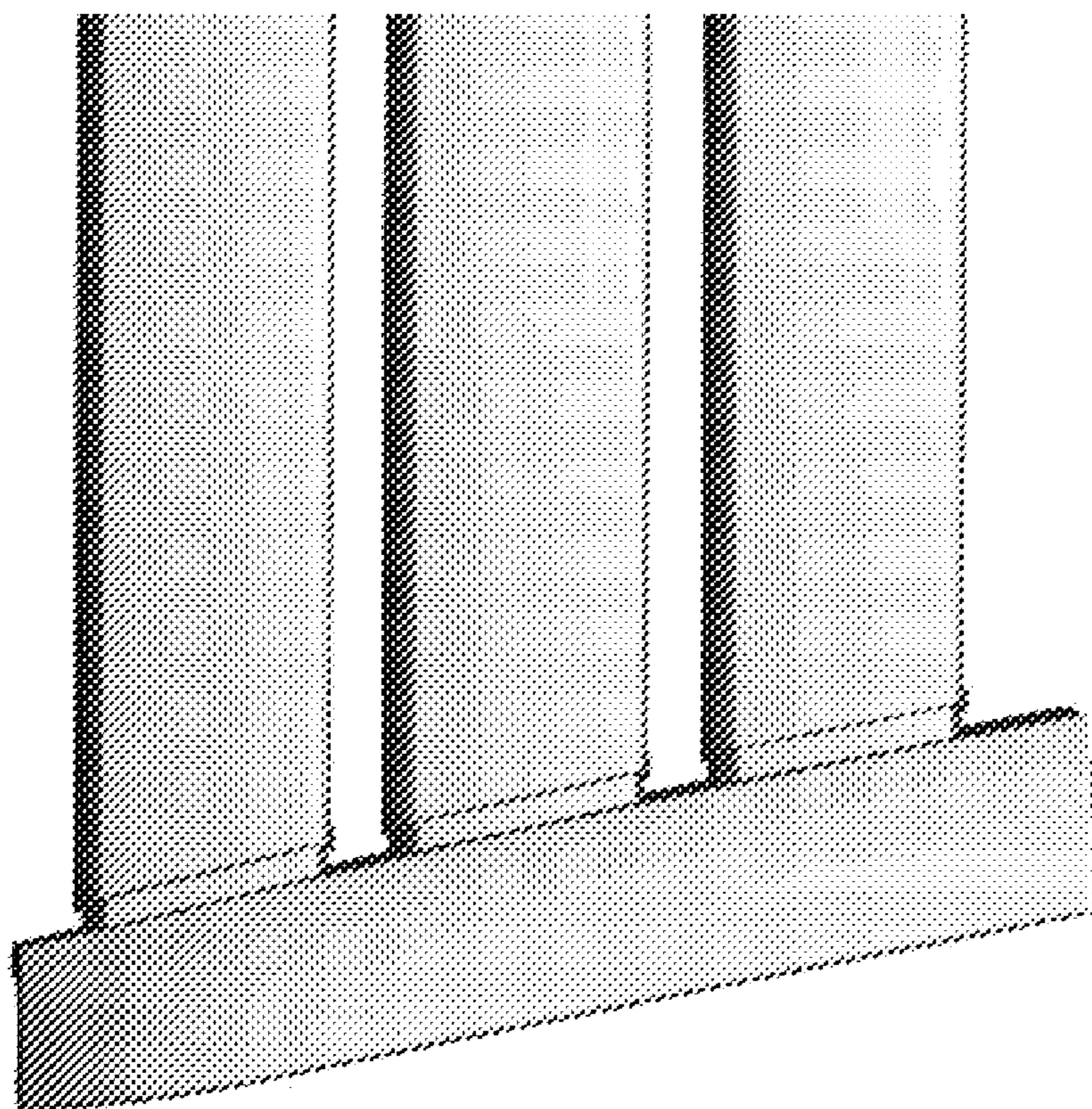


Figure 6

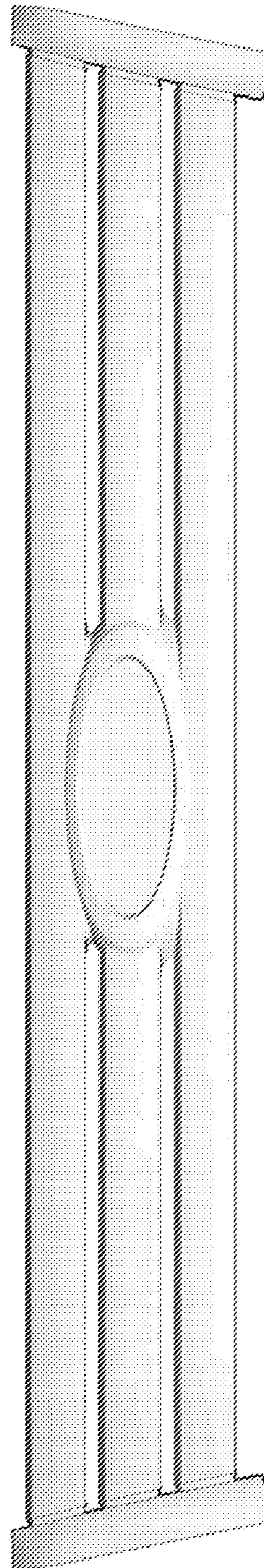


Figure 7