



US00D555549S

(12) **United States Design Patent**
Capuano

(10) **Patent No.:** **US D555,549 S**

(45) **Date of Patent:** **** Nov. 20, 2007**

(54) **TRAILER HITCH**

(76) **Inventor:** **Daniel A. Capuano**, 28 Richmond Blvd., Lake Grove, NY (US) 11755

(**) **Term:** **14 Years**

(21) **Appl. No.:** **29/264,999**

(22) **Filed:** **Aug. 23, 2006**

(51) **LOC (8) Cl.** **12-16**

(52) **U.S. Cl.** **D12/162**

(58) **Field of Classification Search** D12/106, D12/115, 116, 161, 162, 199; 280/402, 403, 280/404, 405.1, 405.2, 407, 407.1, 416.2, 280/455.1, 491.5, 186, 433, 434, 438 R
See application file for complete search history.

(56) **References Cited**

U.S. PATENT DOCUMENTS

3,554,578	A	1/1971	Reed	
4,429,895	A *	2/1984	Hunter	280/490.1
4,564,209	A	1/1986	Kingsley et al.	
D293,229	S *	12/1987	Smith	D12/162
D369,771	S *	5/1996	Murphy et al.	D12/162
D379,608	S *	6/1997	Rodriguez	D12/162
D401,195	S *	11/1998	Chimenti	D12/162
D409,124	S *	5/1999	Bank	D12/162
5,975,553	A *	11/1999	Van Vleet	280/483
6,155,588	A	12/2000	Maxey	
6,341,795	B1 *	1/2002	Zerfel	280/490.1

6,585,280	B1	7/2003	Wiers	
6,726,237	B1	4/2004	Carrico	
6,824,156	B2 *	11/2004	Smith	280/490.1
D508,221	S *	8/2005	Rebick	D12/162
2003/0132605	A1 *	7/2003	Wiers	280/468

* cited by examiner

Primary Examiner—Doris Clark
Assistant Examiner—Michael A. Pratt
(74) *Attorney, Agent, or Firm*—Richard L. Miller

(57) **CLAIM**

The ornamental design for: trailer hitch, as shown and described.

DESCRIPTION

FIG. 1 is a perspective view for a trailer hitch, showing my new design;
FIG. 2 is a left side elevational view thereof, the right side elevational view being a mirror image thereof;
FIG. 3 is a top elevational thereof;
FIG. 4 is a bottom elevational view thereof;
FIG. 5 is a rear elevational view thereof; and,
FIG. 6 is a front elevational view thereof.
The broken lines showing of other parts is for illustrative purposes only and forms no part of the claimed design.

1 Claim, 4 Drawing Sheets

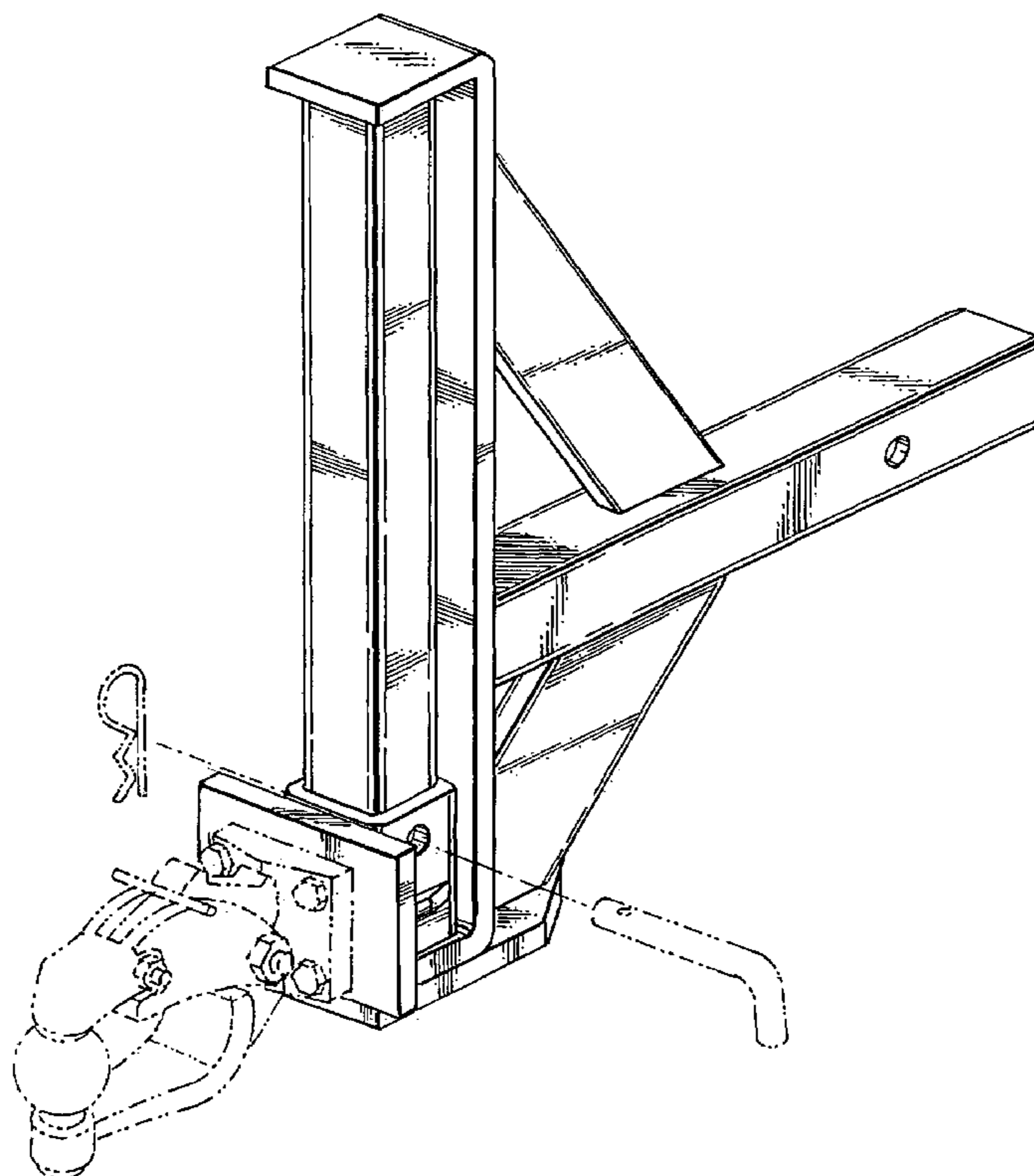
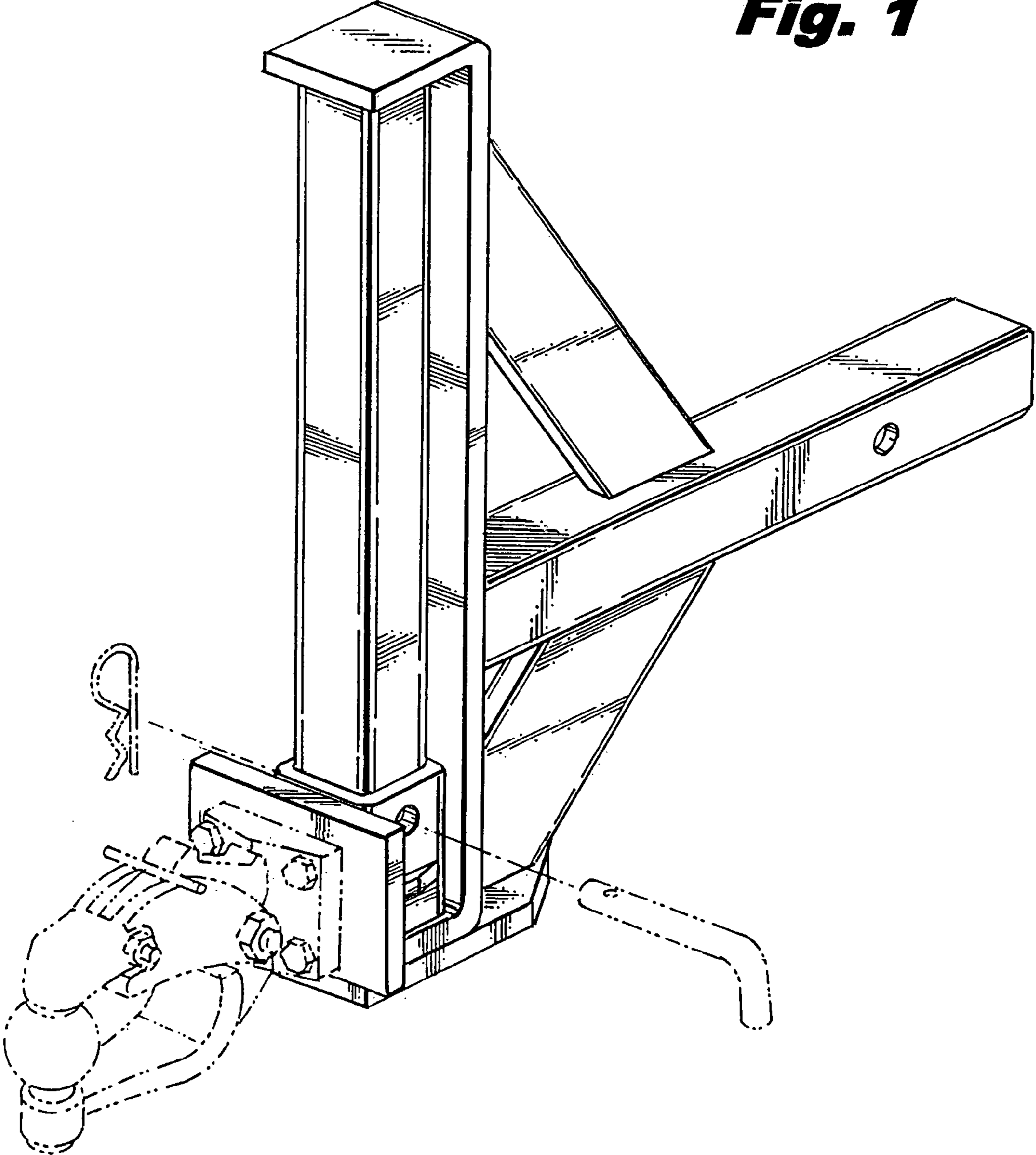


Fig. 1



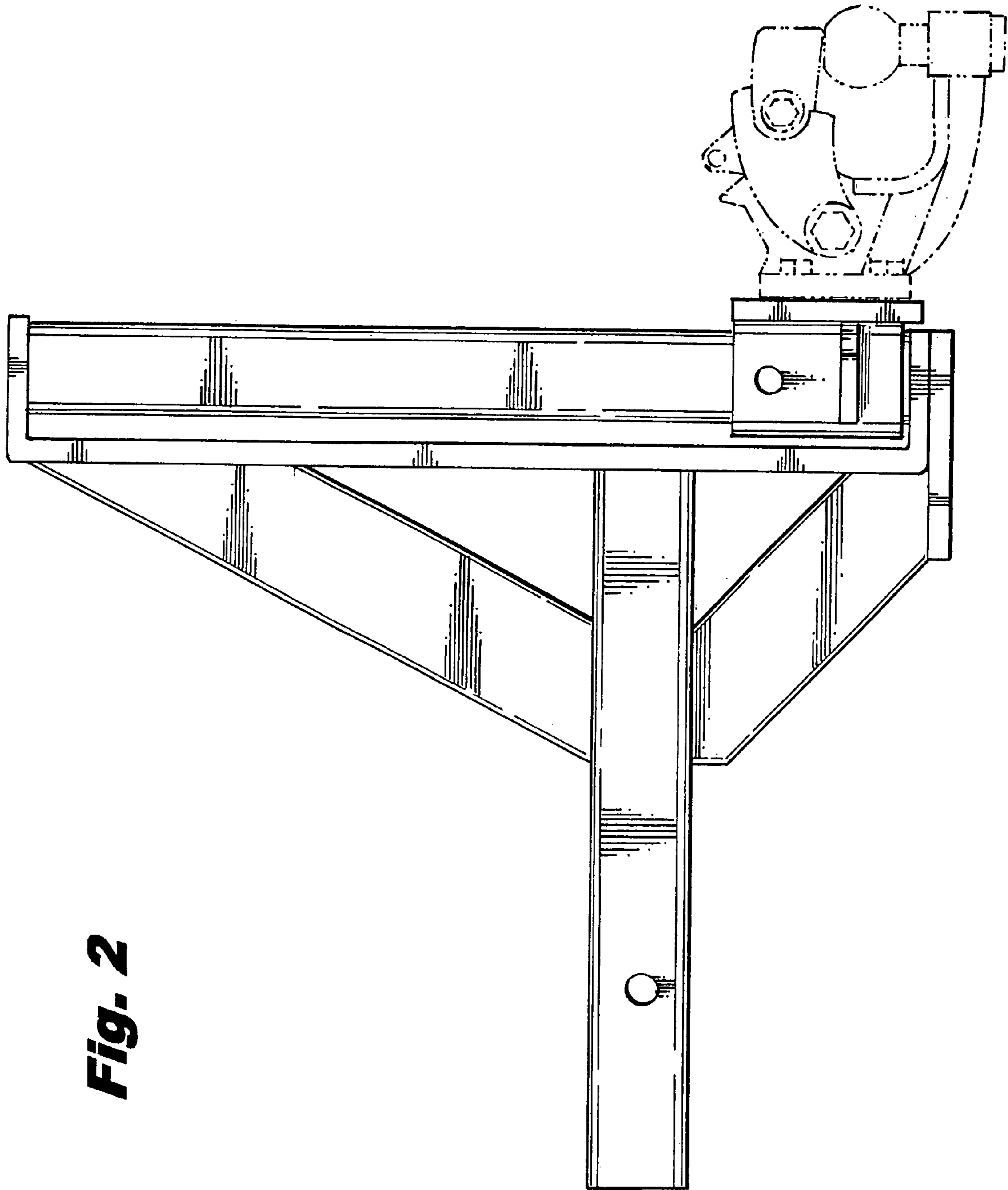


Fig. 2

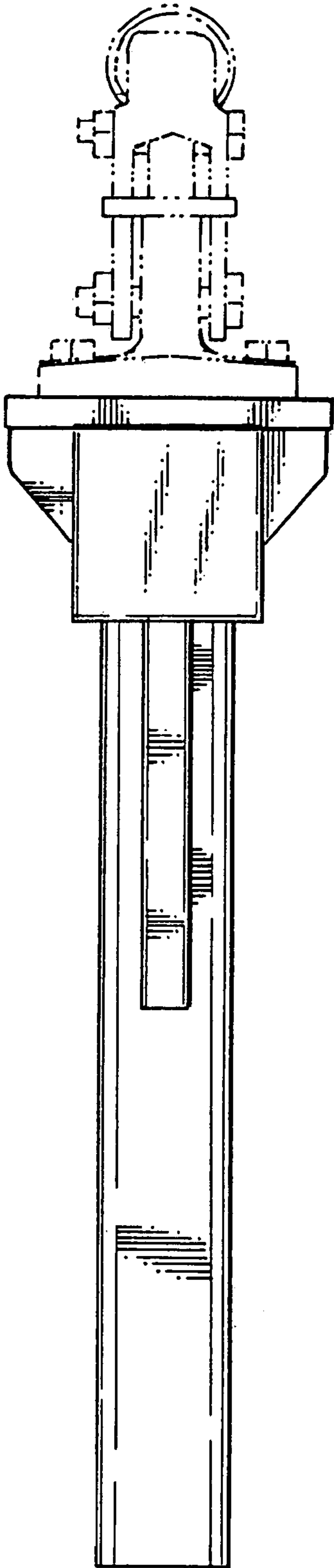


Fig. 3

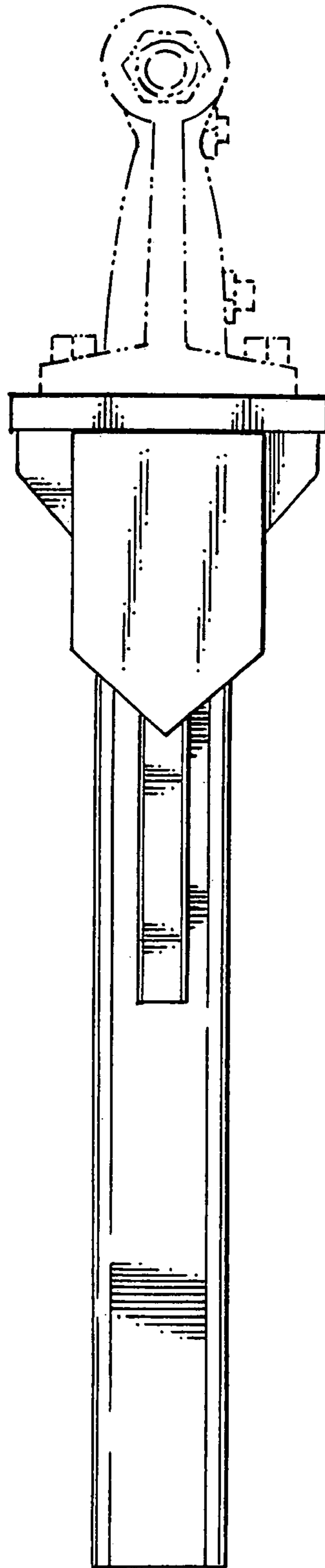


Fig. 4

Fig. 6

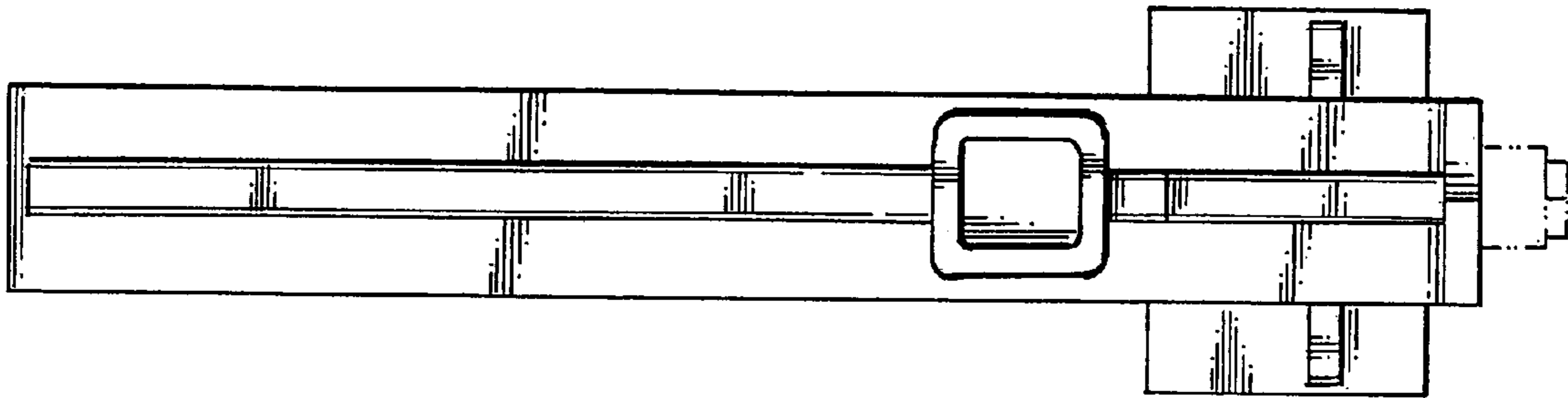


Fig. 5

