



US00D555546S

(12) **United States Design Patent**  
**Hanamura**

(10) **Patent No.:** **US D555,546 S**

(45) **Date of Patent:** **\*\* Nov. 20, 2007**

(54) **QUICK RELEASE LEVER FOR A BICYCLE HUB**

6,761,417 B2 \* 7/2004 Denby ..... 301/124.2

\* cited by examiner

(75) Inventor: **Junichi Hanamura**, Osaka (JP)

*Primary Examiner*—Alan P. Douglas

*Assistant Examiner*—Linda Brooks

(73) Assignee: **Shimano Inc.**, Osaka (JP)

(74) *Attorney, Agent, or Firm*—Global IP Counselors, LLP

(\*\*) Term: **14 Years**

(57) **CLAIM**

The ornamental design for a quick release lever for a bicycle hub, as shown and described.

(21) Appl. No.: **29/260,100**

**DESCRIPTION**

(22) Filed: **May 19, 2006**

FIG. 1 is a perspective view of a quick release lever for a bicycle hub in accordance with my new design;

(30) **Foreign Application Priority Data**

Dec. 16, 2005 (EM) ..... 000450424-0001/0008

FIG. 2 is a first side view of the quick release lever for a bicycle in accordance with my new design;

(51) **LOC (8) Cl.** ..... **12-11**

(52) **U.S. Cl.** ..... **D12/114**

(58) **Field of Classification Search** ..... D12/111,  
D12/114, 122-124, 207, 213; 301/124.2,  
301/111.01, 110.5, 111.06; 403/322.4, 374.5,  
403/DIG. 4; 280/278, 287; 70/233

FIG. 3 is a second side view of the quick release lever for a bicycle in accordance with my new design;

FIG. 4 is an outside elevational view of the quick release lever for a bicycle in accordance with my new design;

FIG. 5 is an inside elevational view of the quick release lever for a bicycle in accordance with my new design;

See application file for complete search history.

FIG. 6 is a first end elevational view of the quick release lever for a bicycle in accordance with my new design; and,

FIG. 7 is a second end elevational view of the quick release lever for a bicycle in accordance with my new design.

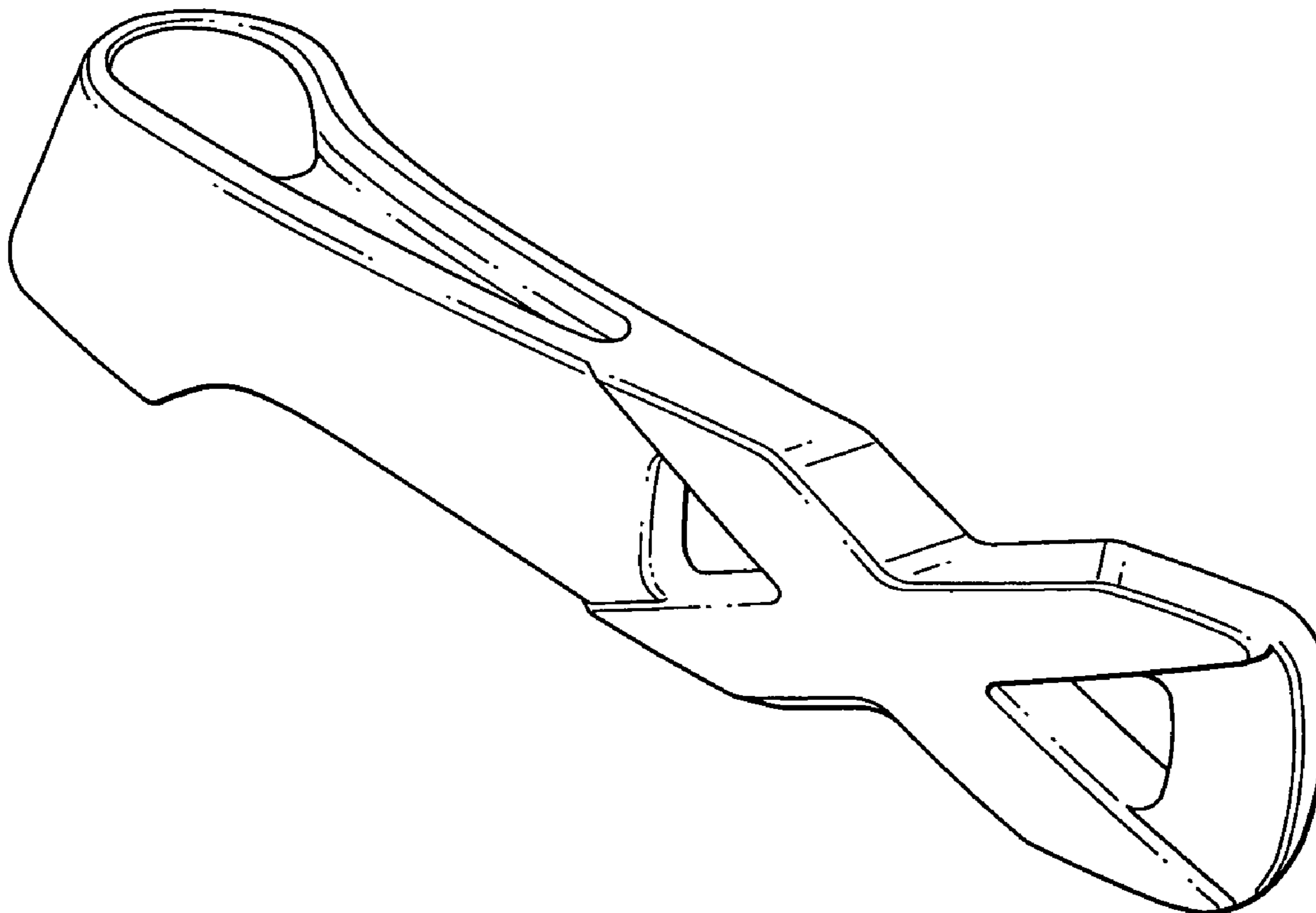
(56) **References Cited**

**U.S. PATENT DOCUMENTS**

6,454,363 B1 \* 9/2002 Vignocchi et al. .... 301/124.2

6,499,810 B1 \* 12/2002 Krahl ..... 301/124.2

**1 Claim, 3 Drawing Sheets**



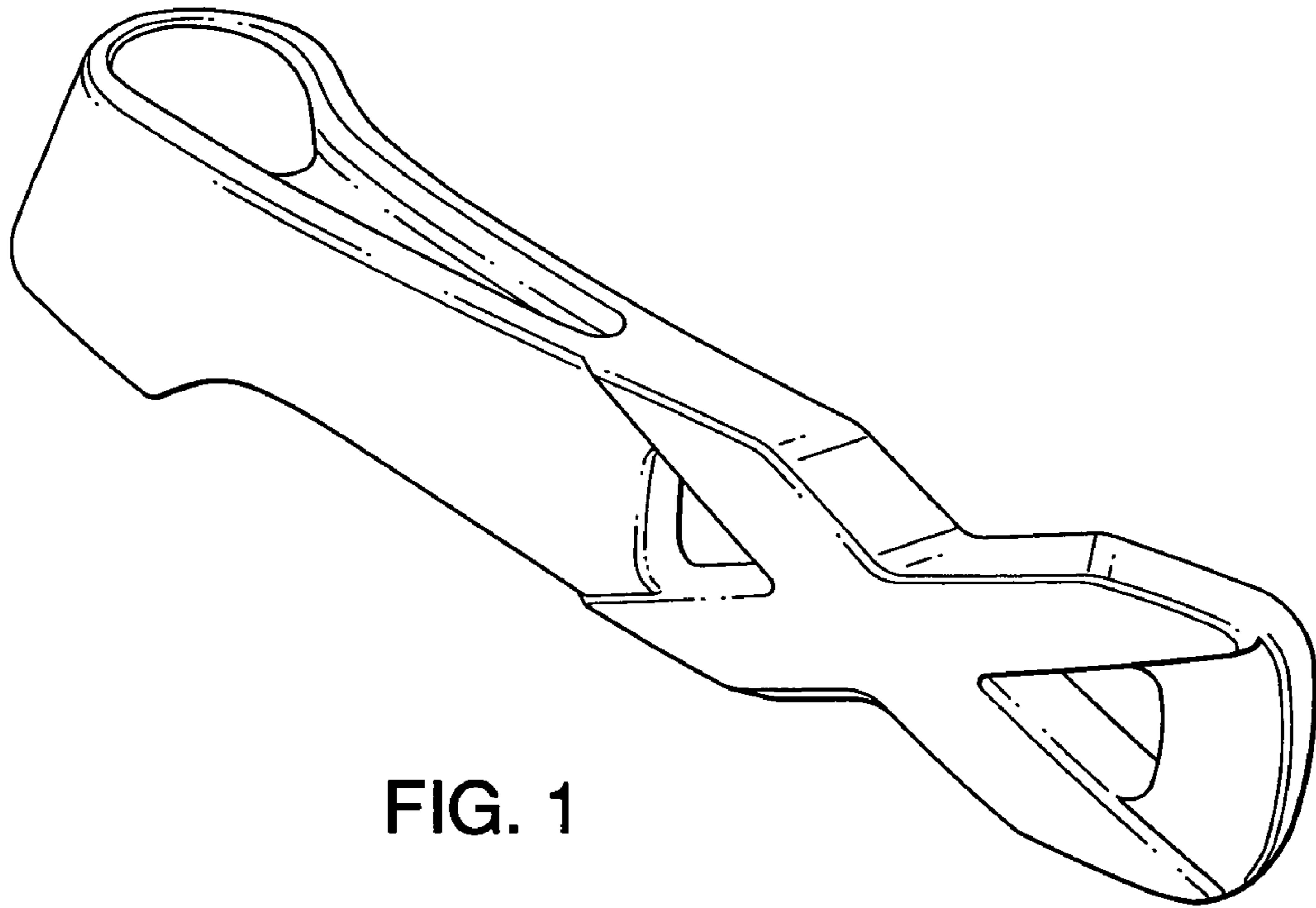


FIG. 1

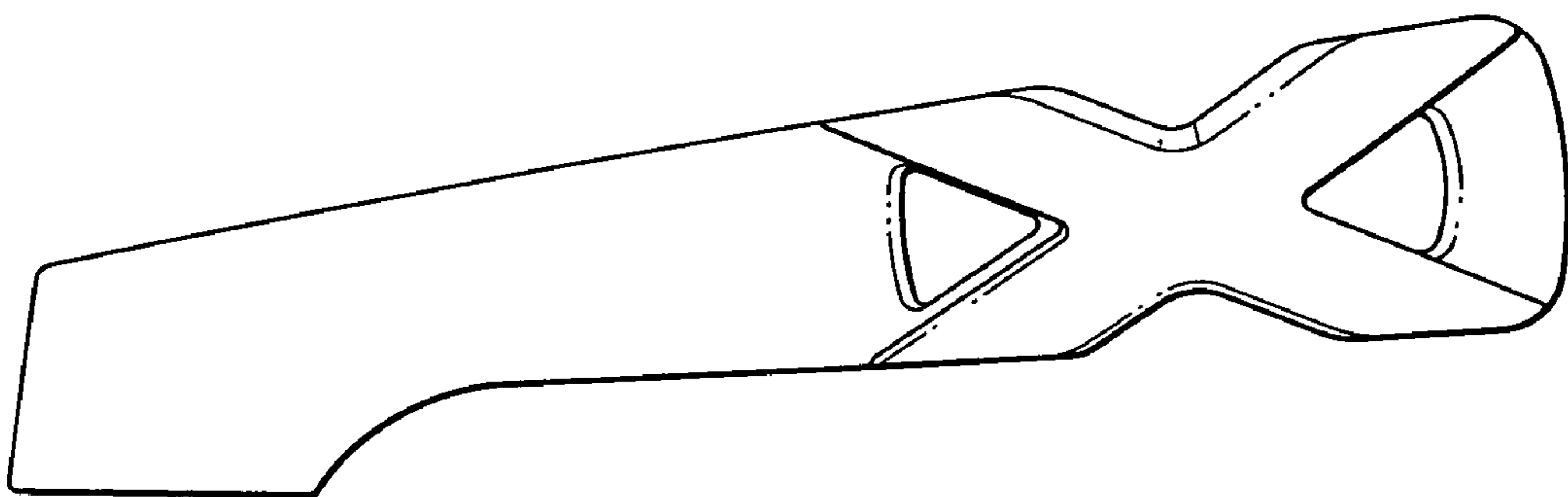


FIG. 2

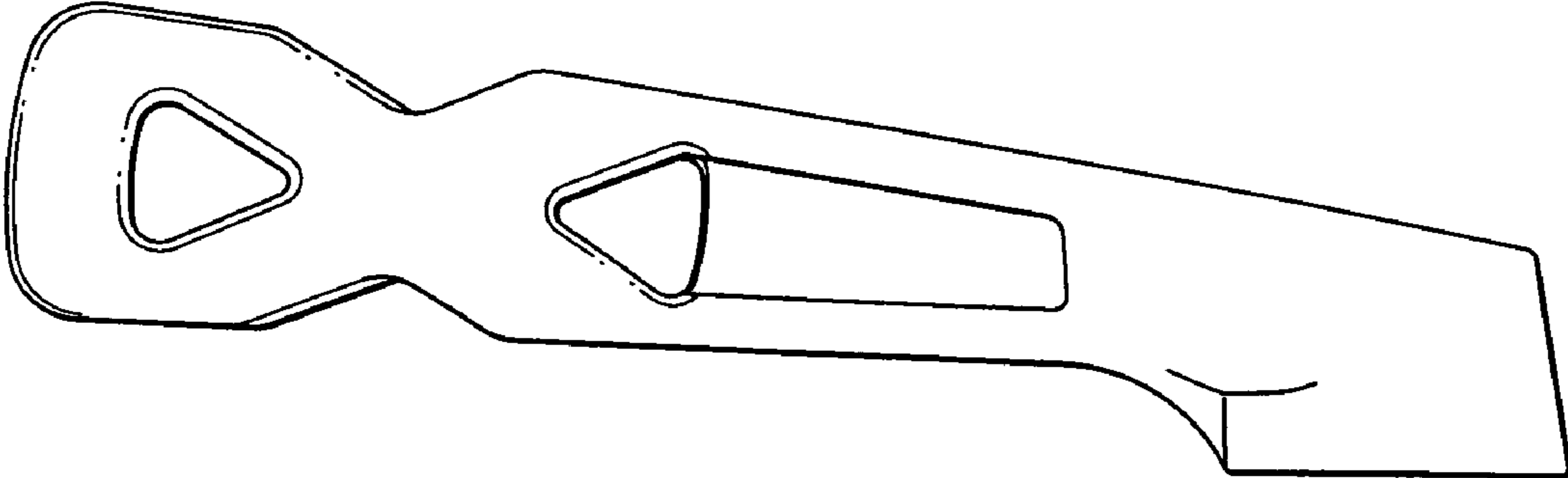


FIG. 3

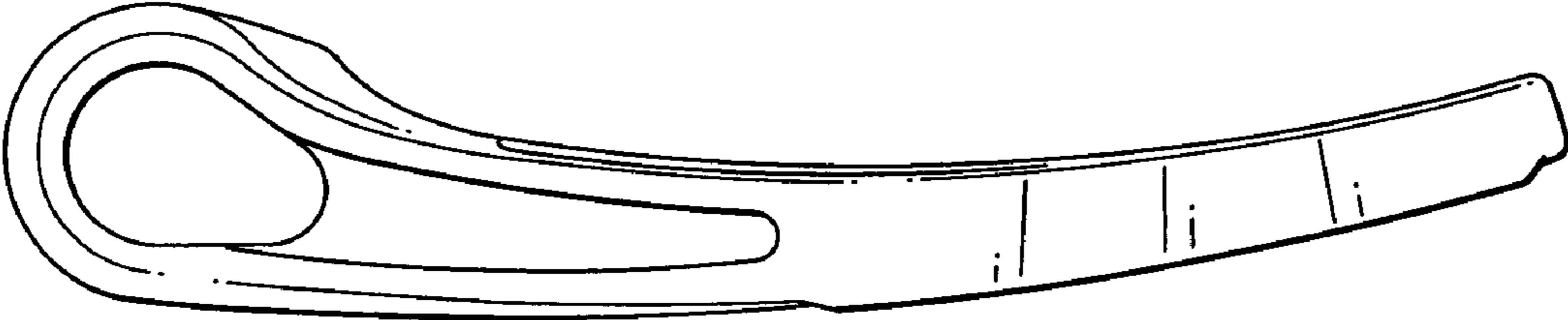
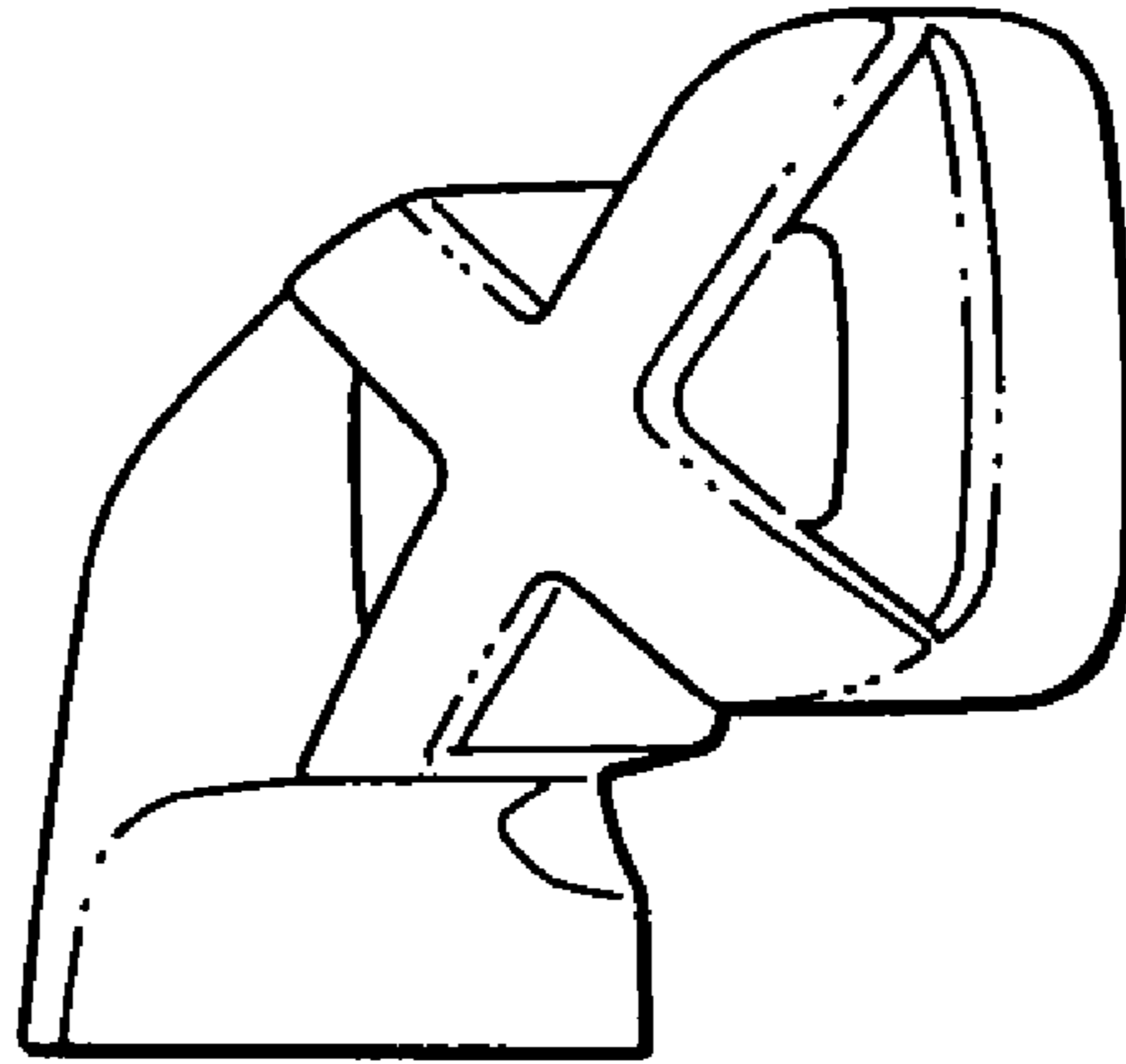


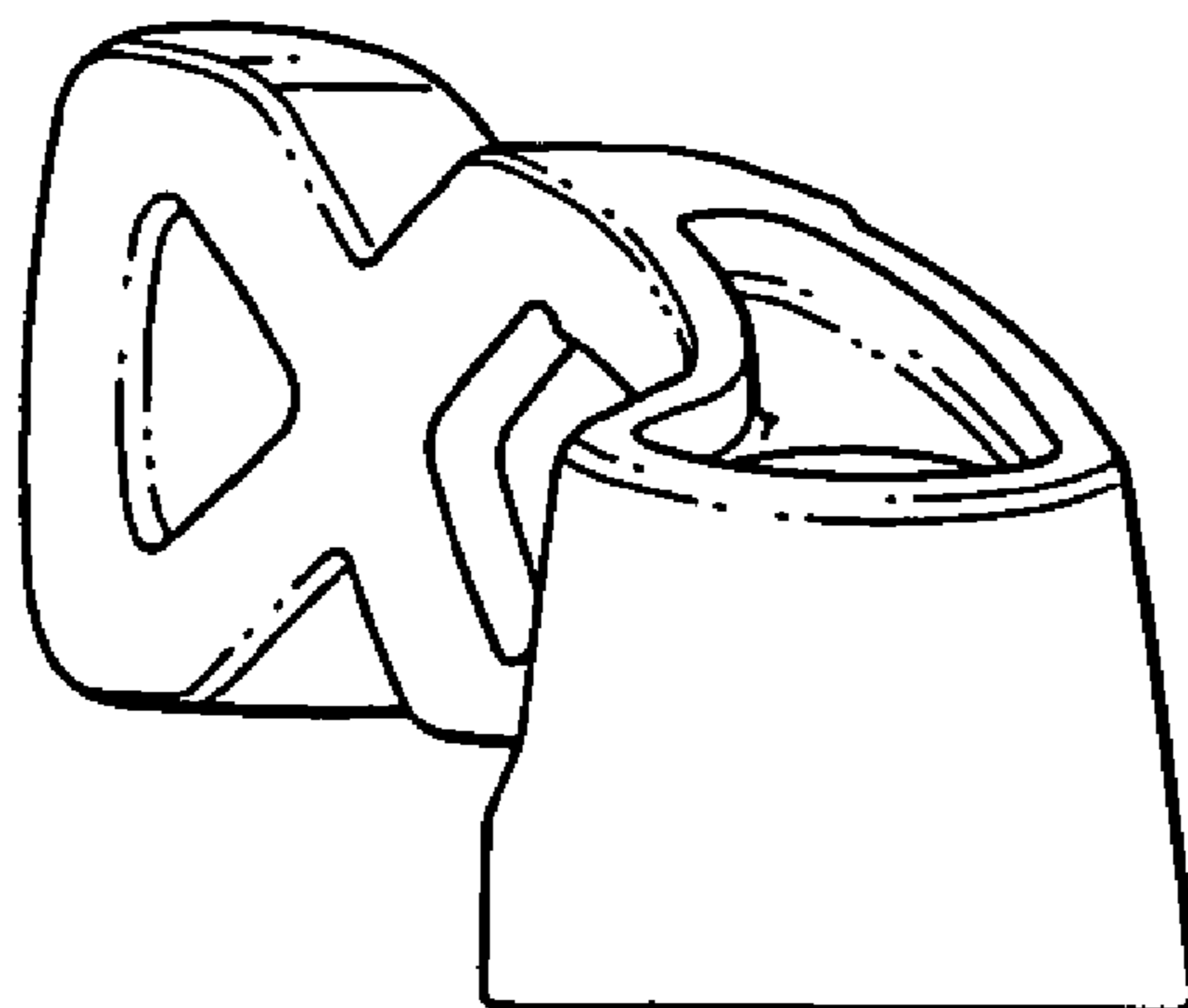
FIG. 4



FIG. 5



**FIG. 6**



**FIG. 7**