



US00D555545S

(12) **United States Design Patent**
Peek

(10) **Patent No.:** **US D555,545 S**

(45) **Date of Patent:** **** Nov. 20, 2007**

(54) **LAND-BASED TOWING DEVICE**

(75) Inventor: **Allen S. Peek**, Lake Oswego, OR (US)

(73) Assignee: **Ground Control Towers, LLC**, Lake Oswego, OR (US)

(**) Term: **14 Years**

(21) Appl. No.: **29/256,558**

(22) Filed: **Mar. 21, 2006**

(51) **LOC (8) Cl.** **12-16**

(52) **U.S. Cl.** **D12/114**

(58) **Field of Classification Search** D12/300-318,
D12/1, 3, 107, 110, 87, 222, 223, 114, 400,
D12/406, 408, 412; 114/210, 251, 253, 343;
180/225, 229, 233, 311, 312, 315; 280/288.4,
280/292

See application file for complete search history.

(56) **References Cited**

U.S. PATENT DOCUMENTS

5,979,350	A	11/1999	Larson et al.
6,044,788	A	4/2000	Larson et al.
6,192,819	B1	2/2001	Larson et al.
6,374,762	B1	4/2002	Larson et al.
RE37,823	E	9/2002	Larson et al.
D462,932	S	9/2002	Larson
6,575,112	B2	6/2003	Roeseler et al.
D479,500	S *	9/2003	Mattarocci D12/317
D480,349	S	10/2003	Carlton

D482,649 S * 11/2003 Eck D12/317
6,666,159 B2 12/2003 Larson et al.

* cited by examiner

Primary Examiner—Ian Simmons

Assistant Examiner—Linda Brooks

(74) *Attorney, Agent, or Firm*—Marger, Johnson & McCollom, PC

(57) **CLAIM**

The ornamental design for a land-based towing device, as shown and described.

DESCRIPTION

FIG. 1 is a perspective view of land-based towing device, showing my new design;

FIG. 2 is a side elevational view, the other side being a mirror image thereof;

FIG. 3 is a rear elevational view thereof;

FIG. 4 is a front elevational view thereof;

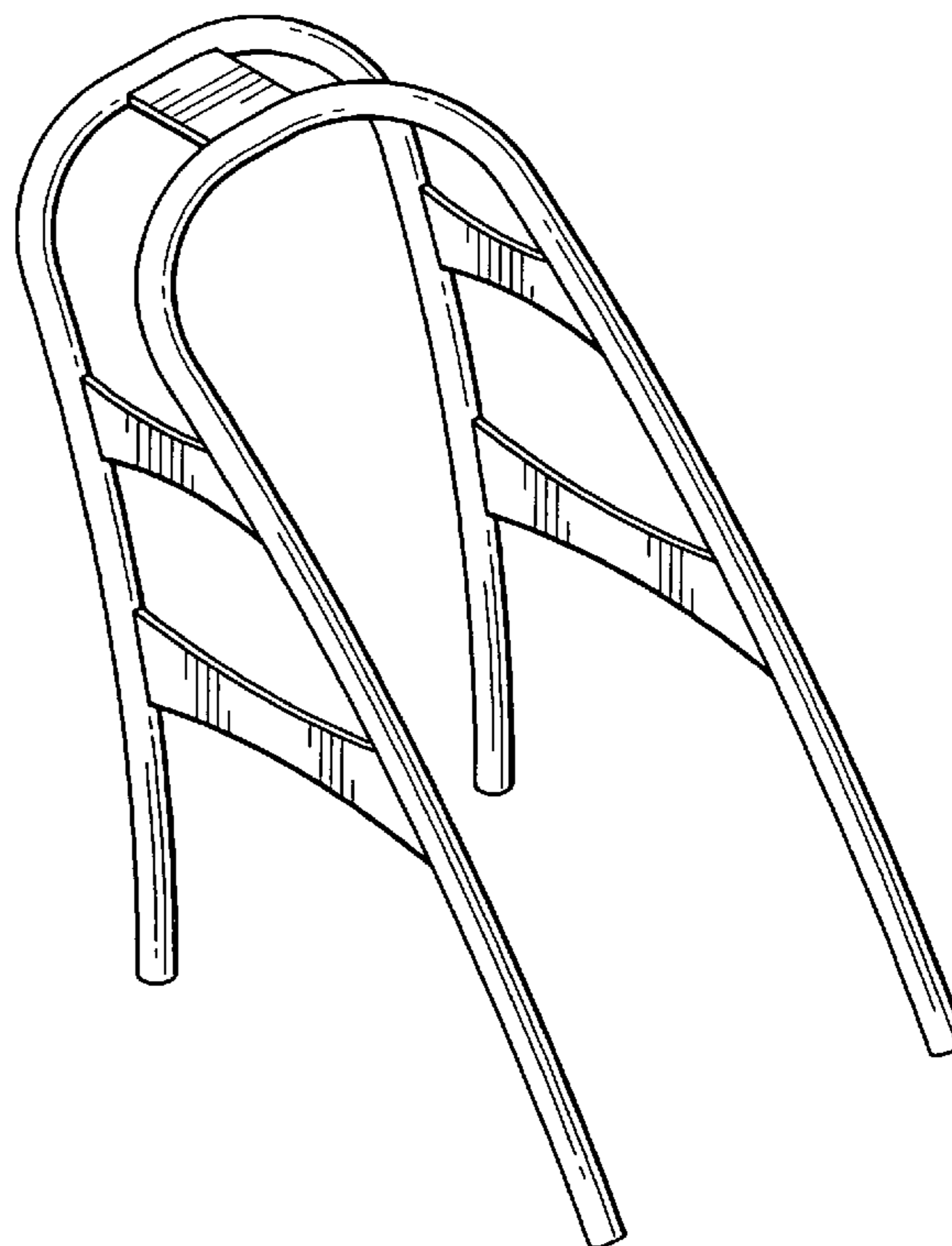
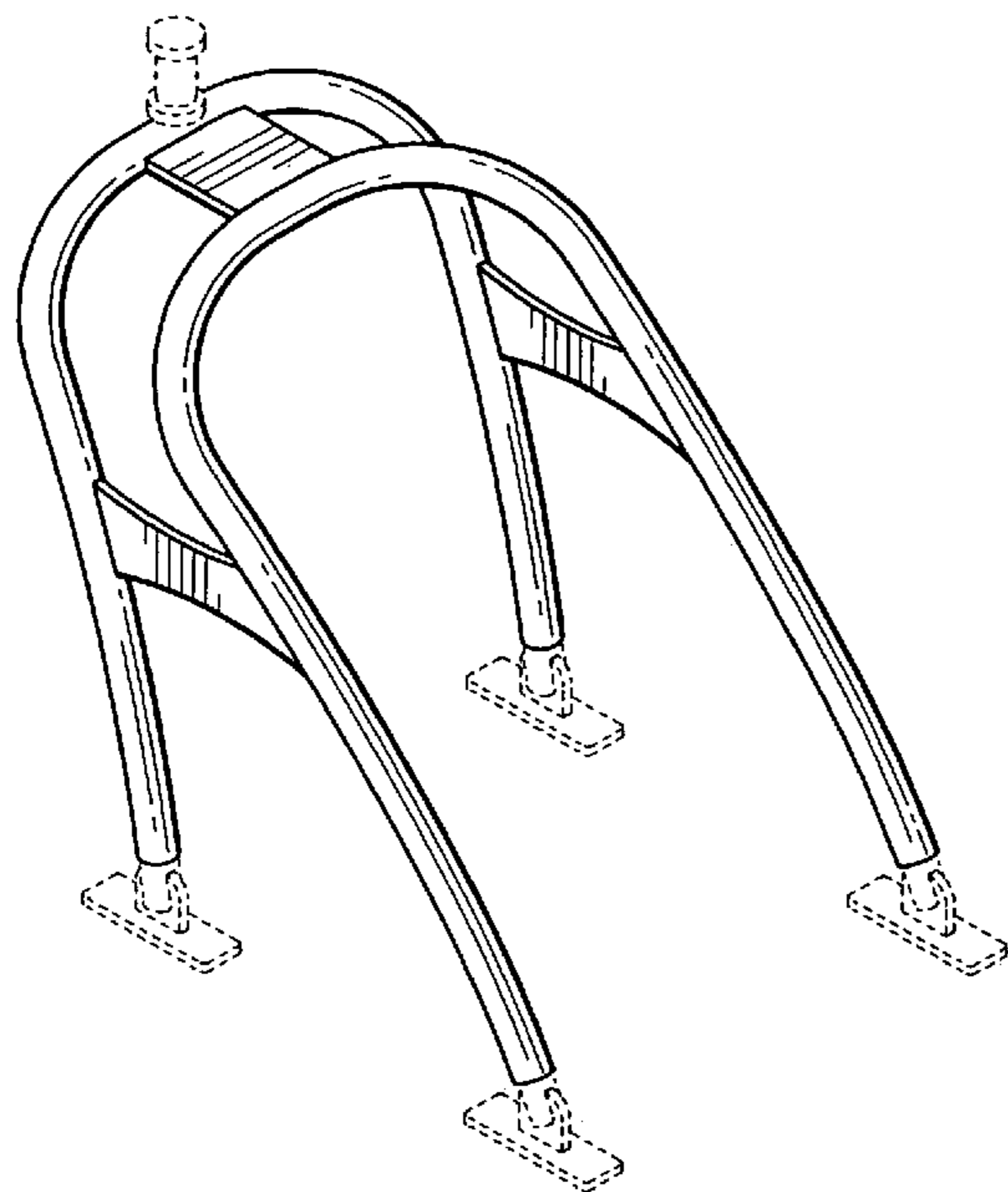
FIG. 5 is a top plan view thereof;

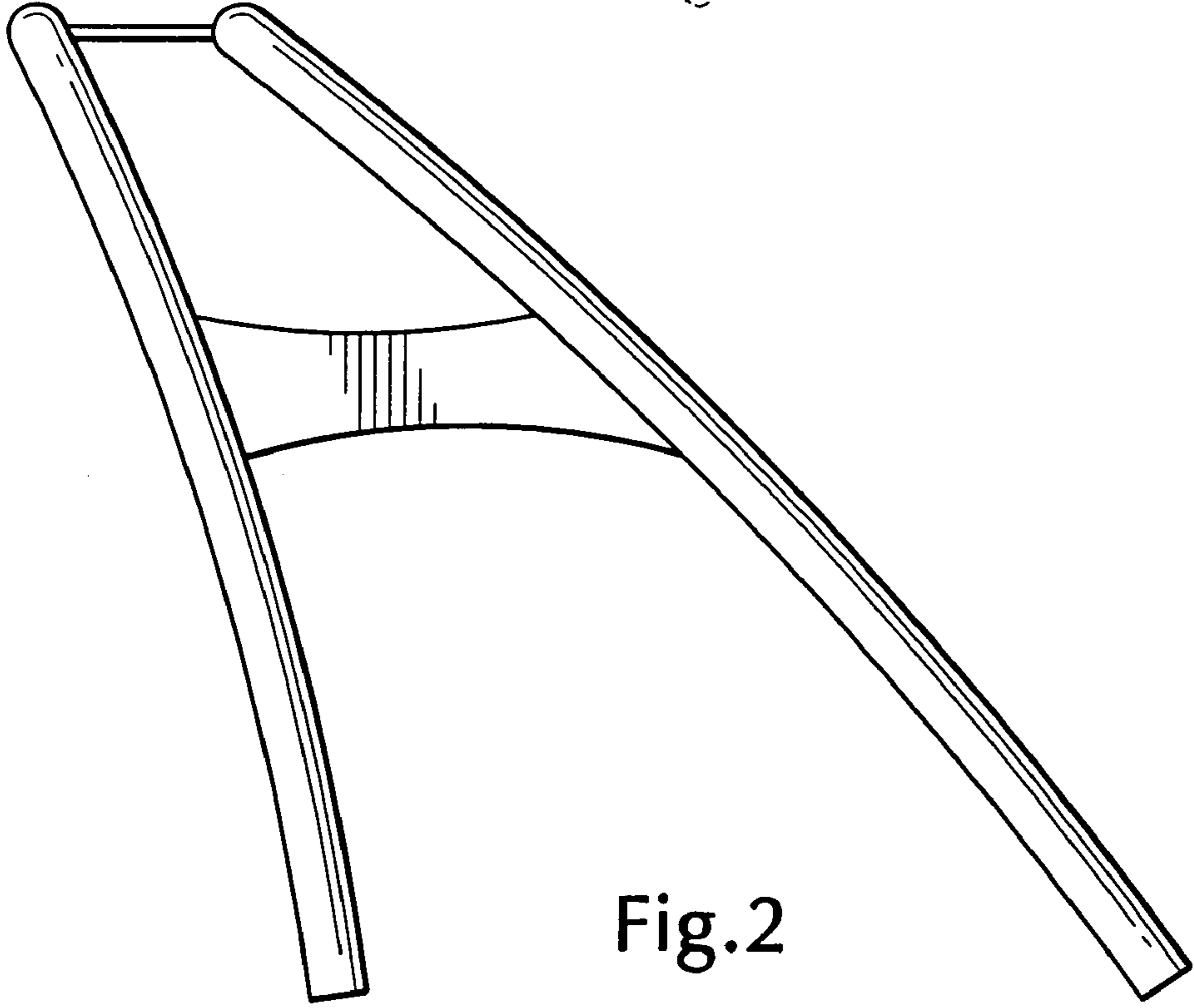
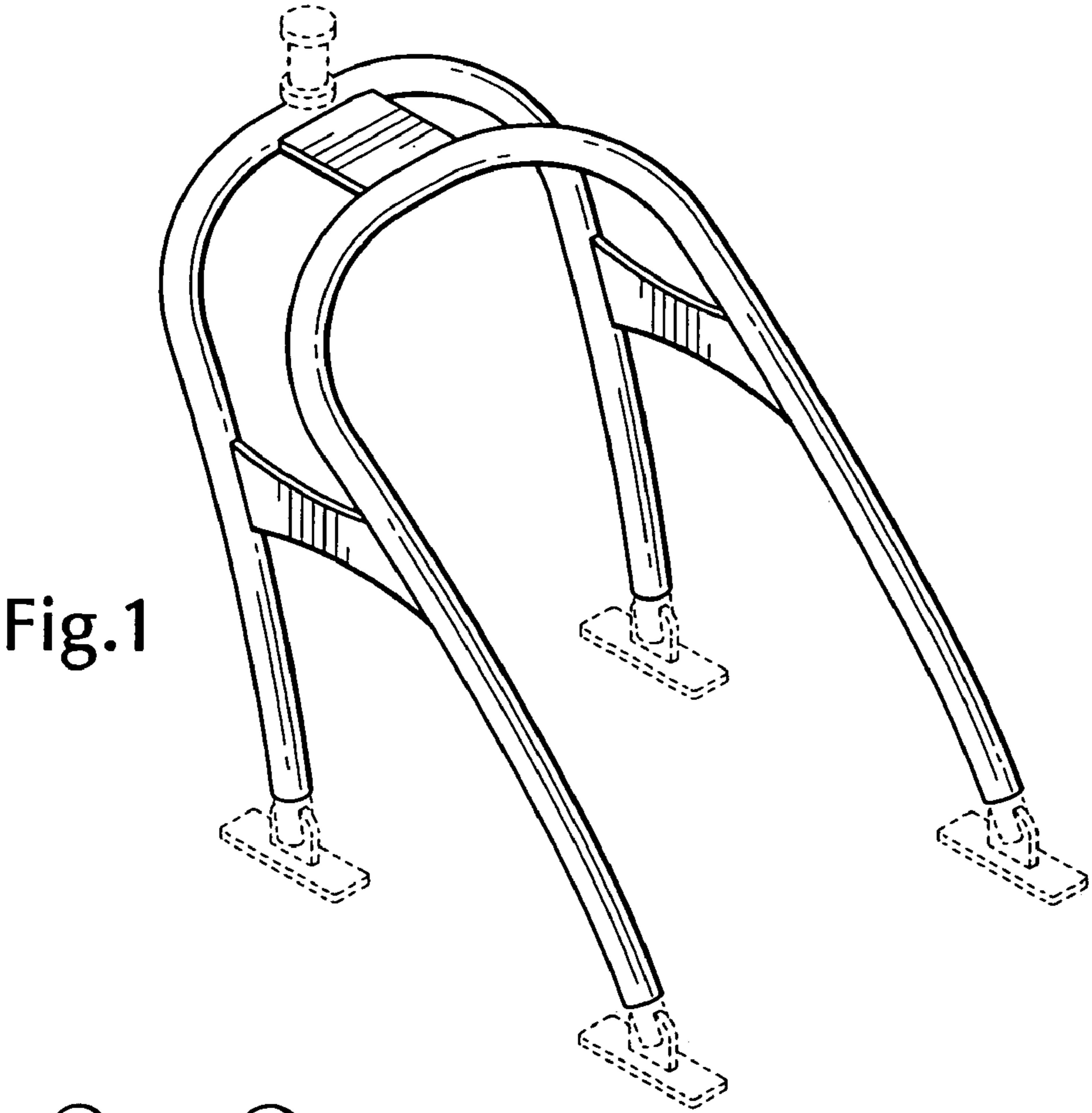
FIG. 6 is a bottom plan view thereof; and,

FIG. 7 is a perspective view of an alternative embodiment of the land-based towing apparatus shown with an additional lateral support structure on each of the left and right sides.

The broken lines shown are for illustrative purposes only and form no part of the claimed design.

1 Claim, 3 Drawing Sheets





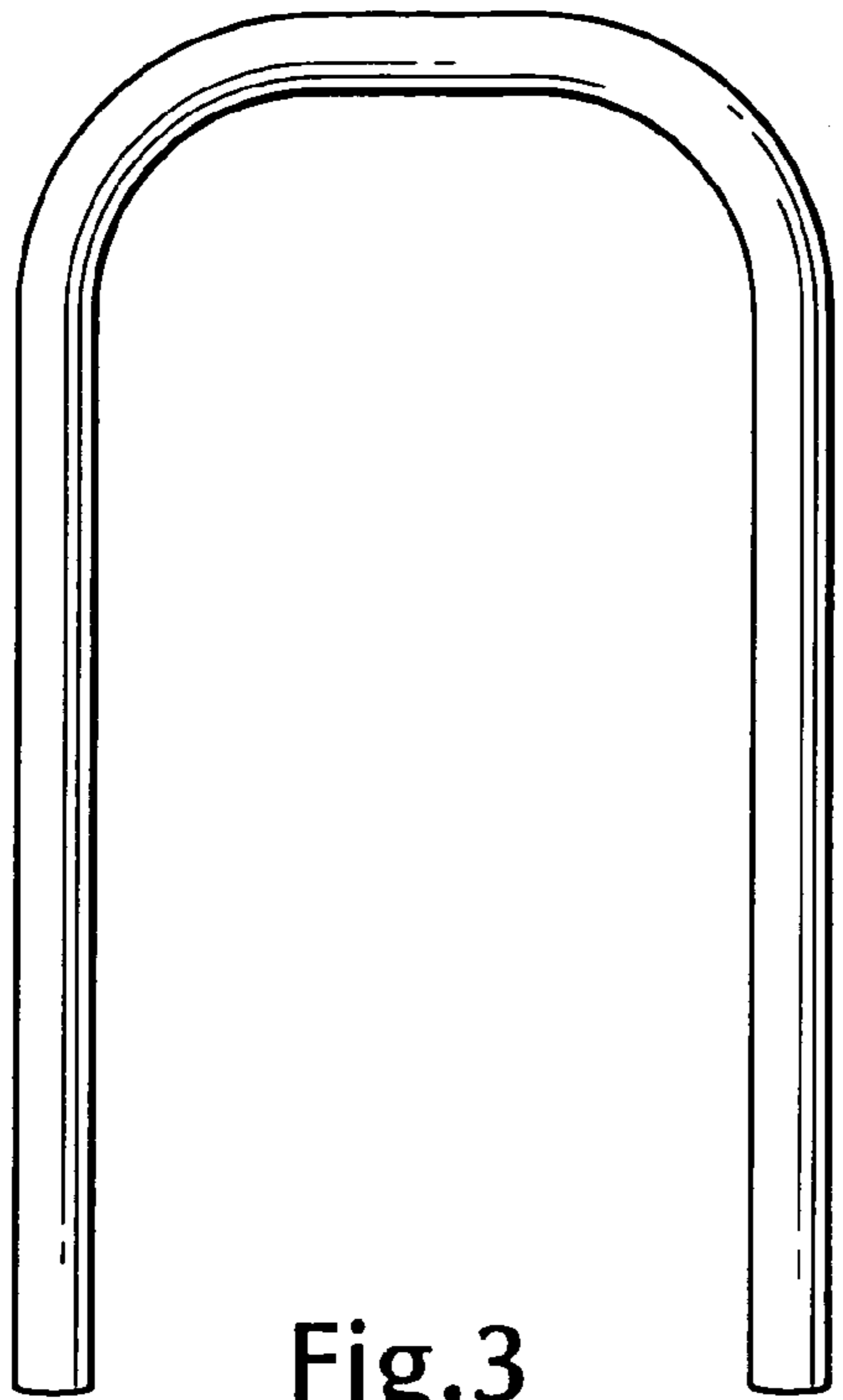


Fig.3

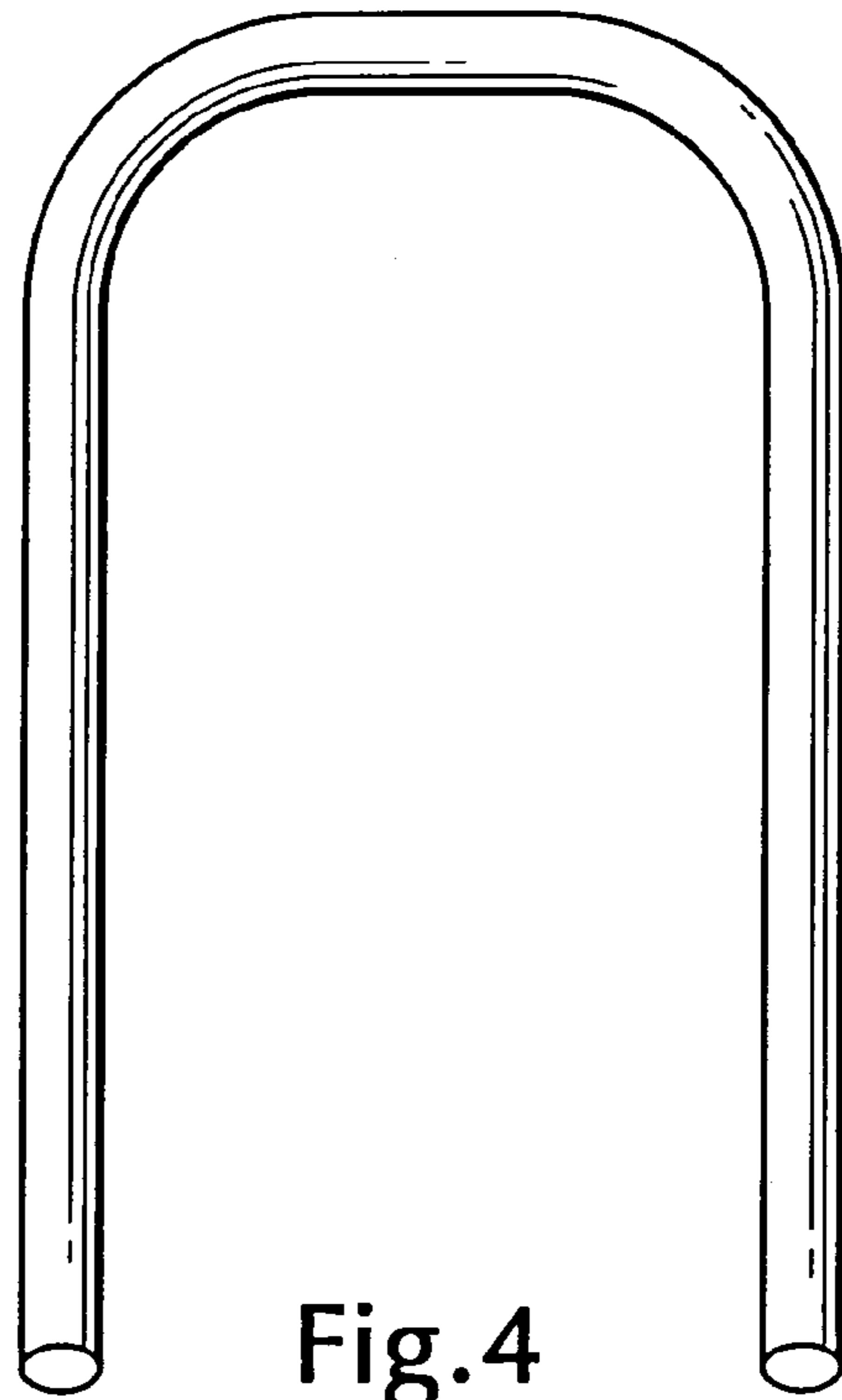


Fig.4

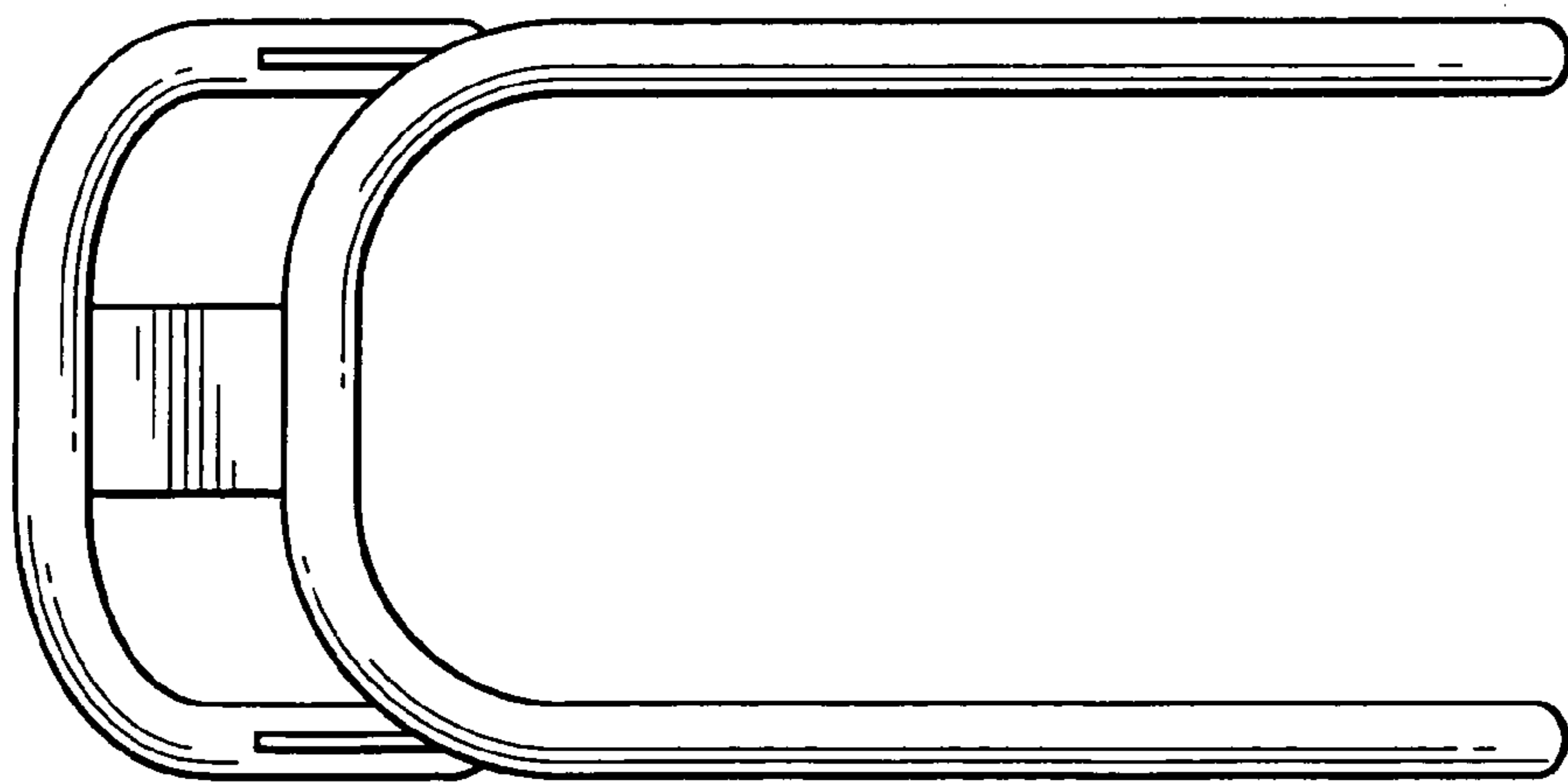


Fig.5

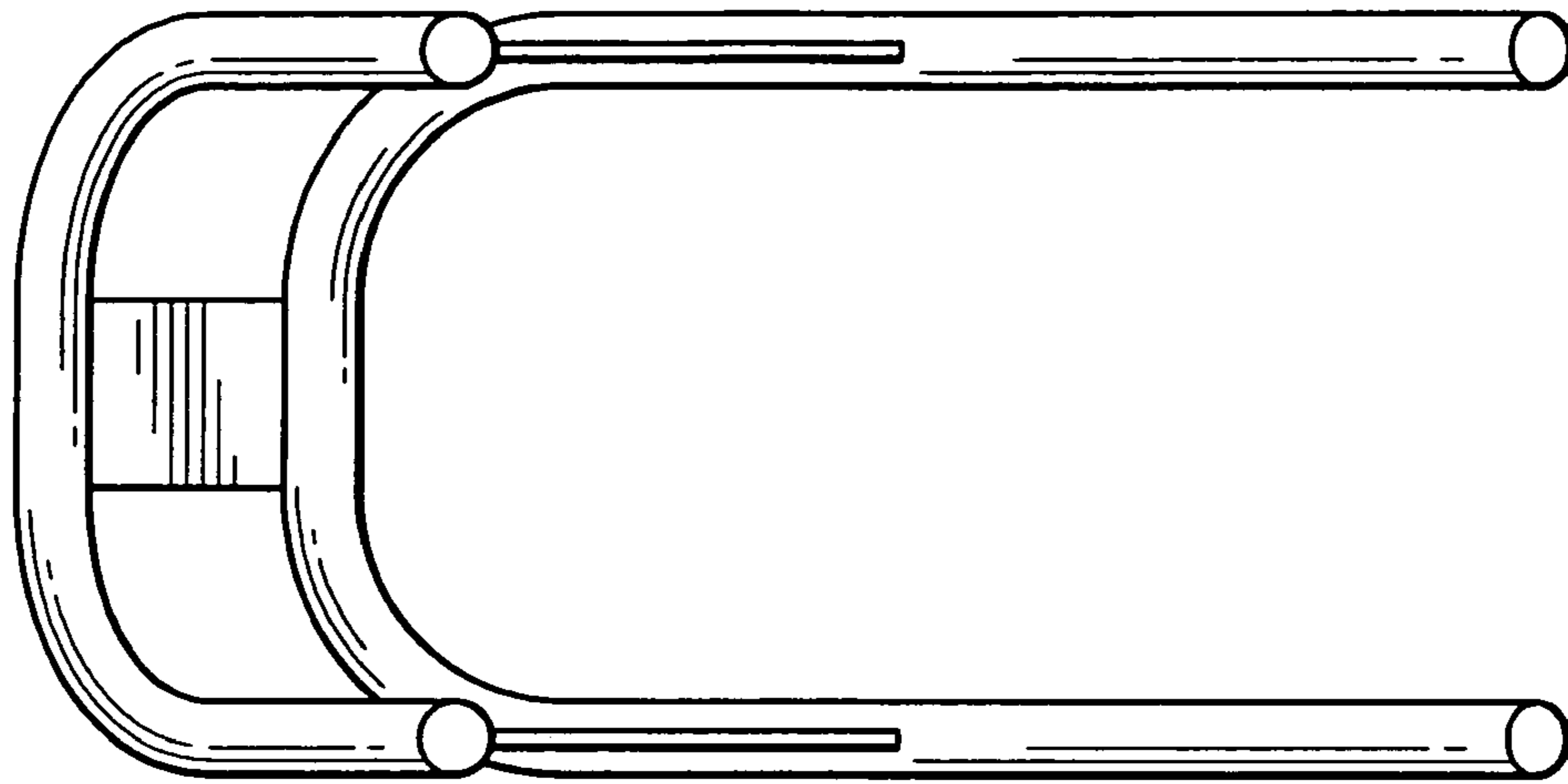


Fig.6

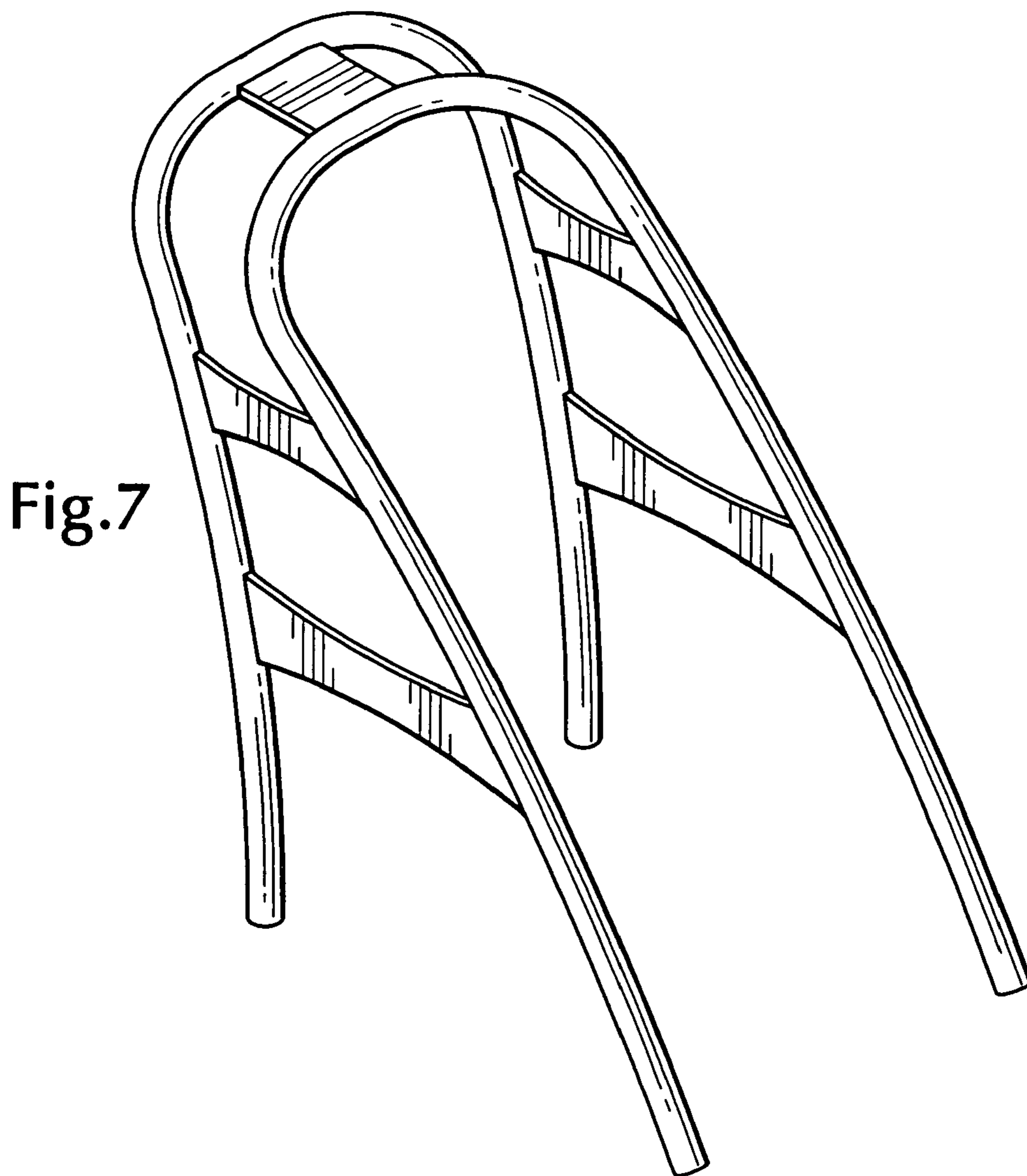


Fig.7