



US00D555542S

(12) **United States Design Patent**  
**Komiya et al.**

(10) **Patent No.:** **US D555,542 S**

(45) **Date of Patent:** **\*\* Nov. 20, 2007**

(54) **REAR PORTION OF A MOTORCYCLE**

JP 937491 S 8/1998

(75) Inventors: **Koji Komiya**, Wako (JP); **Hiroyuki Miyazaki**, Wako (JP)

\* cited by examiner

*Primary Examiner*—Linda Brooks

(73) Assignee: **Honda Motor Co., Ltd.**, Tokyo (JP)

(74) *Attorney, Agent, or Firm*—Birch, Stewart, Kolasch & Birch, LLP

(\*\*) Term: **14 Years**

(57) **CLAIM**

(21) Appl. No.: **29/260,753**

The ornamental design for, a rear portion of a motorcycle, as shown and described.

(22) Filed: **Jun. 1, 2006**

(30) **Foreign Application Priority Data**

**DESCRIPTION**

Dec. 2, 2005 (JP) ..... 2005-035663

FIG. 1 is a front elevation view of a rear portion of a motorcycle, showing our new design;

(51) **LOC (8) Cl.** ..... **12-11**

FIG. 2 is a rear elevation view thereof;

(52) **U.S. Cl.** ..... **D12/110**

FIG. 3 is a top plan view thereof;

(58) **Field of Classification Search** ..... D12/110,  
D12/126, 181, 186; 180/219; D26/28-36;  
362/473, 497, 506; 280/152.1-152.3, 288.4,  
280/160, 160.1, 852, 854; 293/105

FIG. 4 is a right side elevation view thereof;

FIG. 5 is a left side elevation view thereof;

See application file for complete search history.

FIG. 6 is a perspective view thereof;

FIG. 7 is an enlarged front elevation view thereof;

(56) **References Cited**

FIG. 8 is an enlarged right side elevation view thereof; and,

FIG. 9 is an enlarged perspective view thereof.

**U.S. PATENT DOCUMENTS**

D481,980 S \* 11/2003 Song ..... D12/186  
6,695,330 B2 \* 2/2004 Hata ..... 280/152.3  
D512,669 S \* 12/2005 Manchester et al. .... D12/186  
7,114,836 B2 \* 10/2006 Sheu et al. .... 362/473

The pattern of longer and shorter broken lines define the boundaries of the claimed rear portion of a motorcycle and form no part of the claimed design, while the other broken lines show the environment of the rear portion of a motorcycle and form no part of the claimed design.

**FOREIGN PATENT DOCUMENTS**

JP 925625 S 5/1995

**1 Claim, 9 Drawing Sheets**

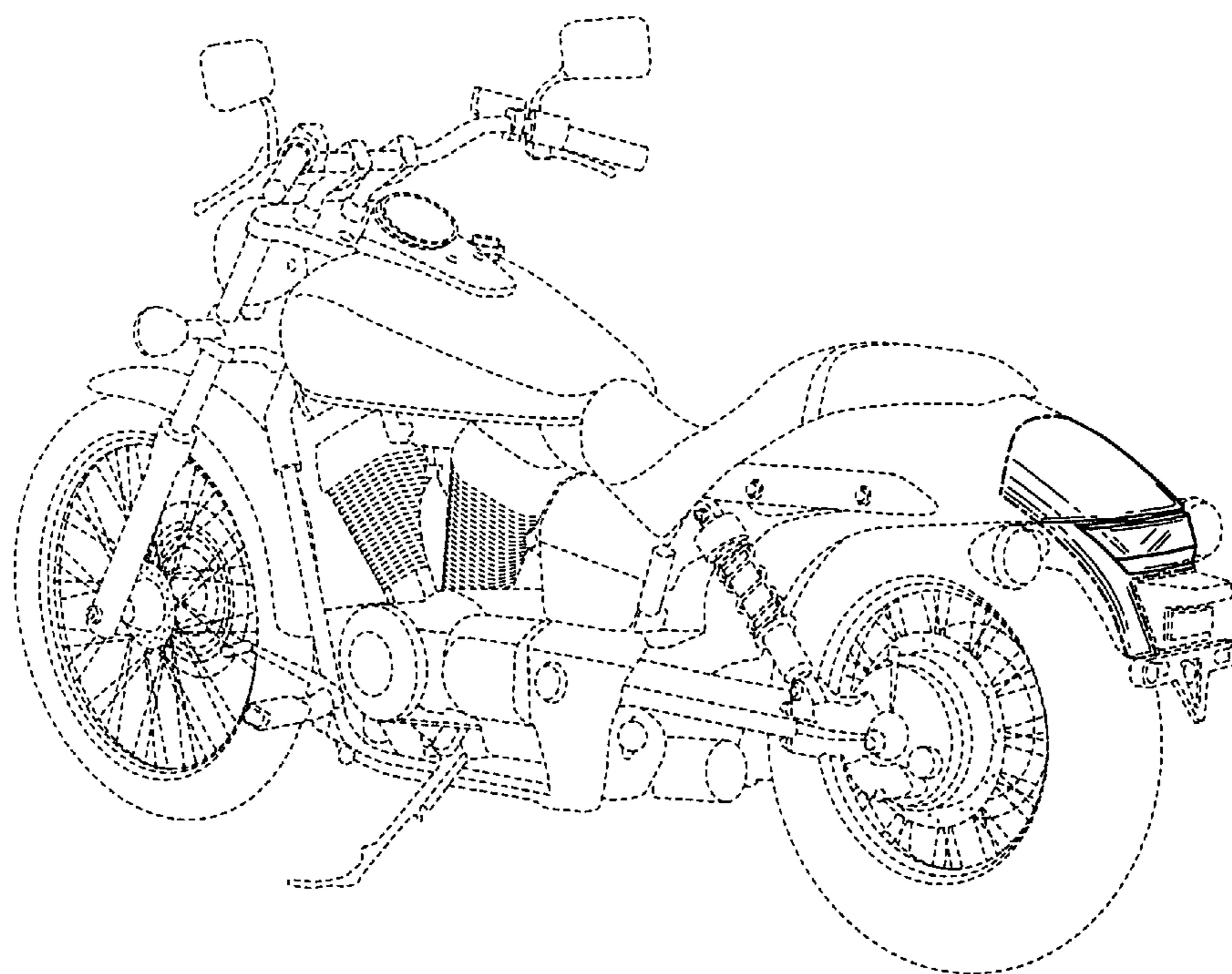


Fig.1

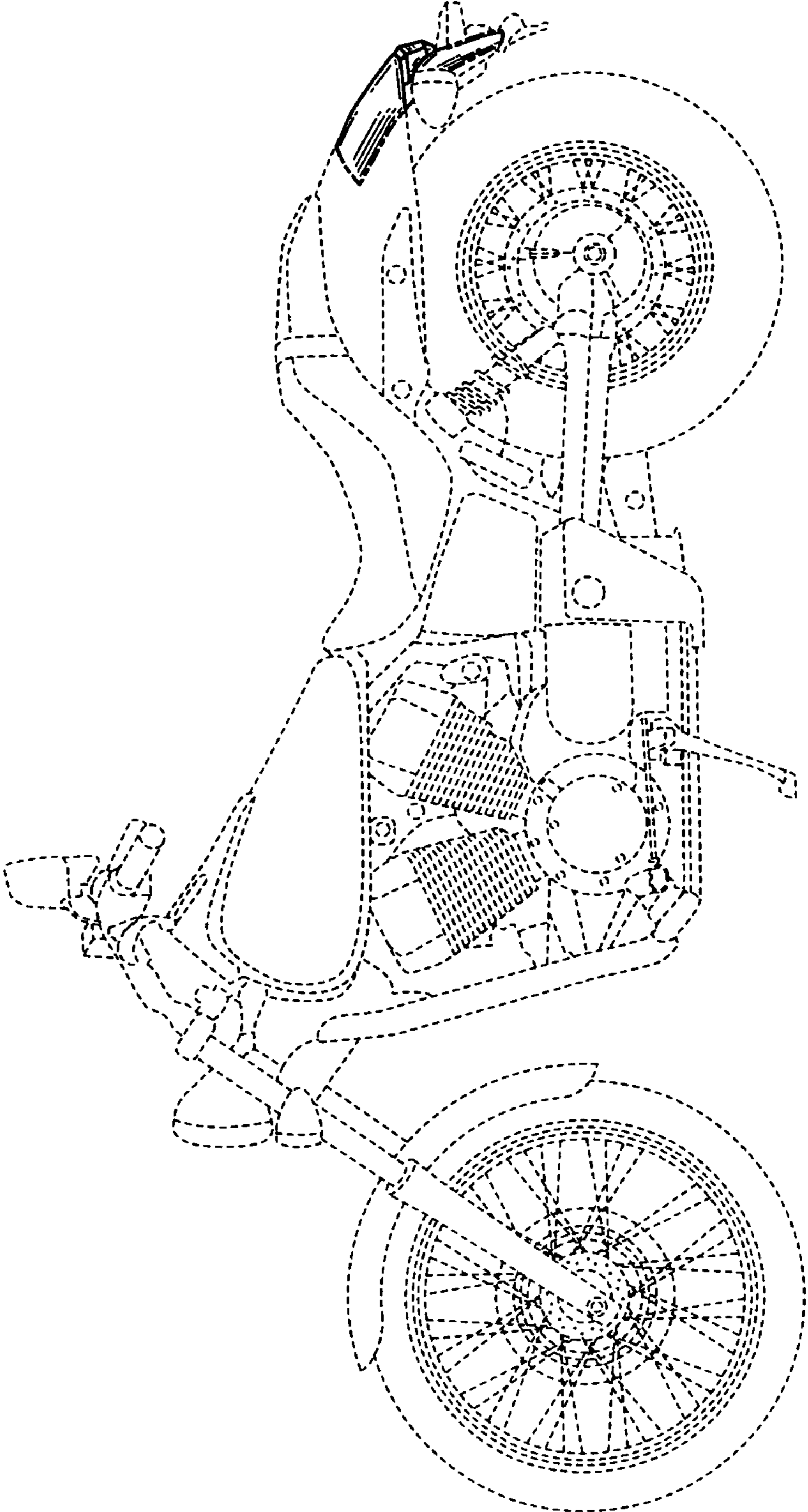


Fig.2

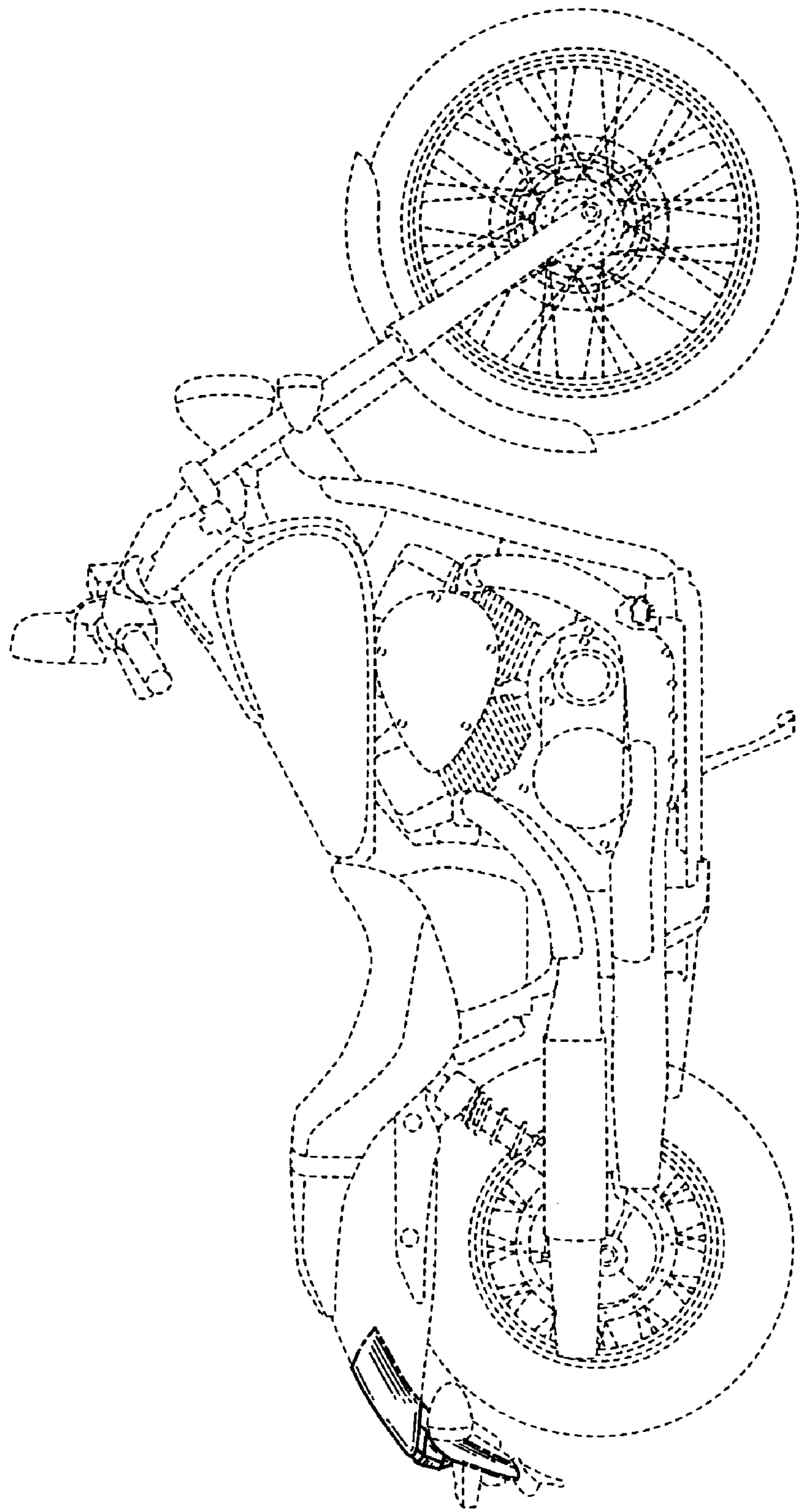


Fig.3

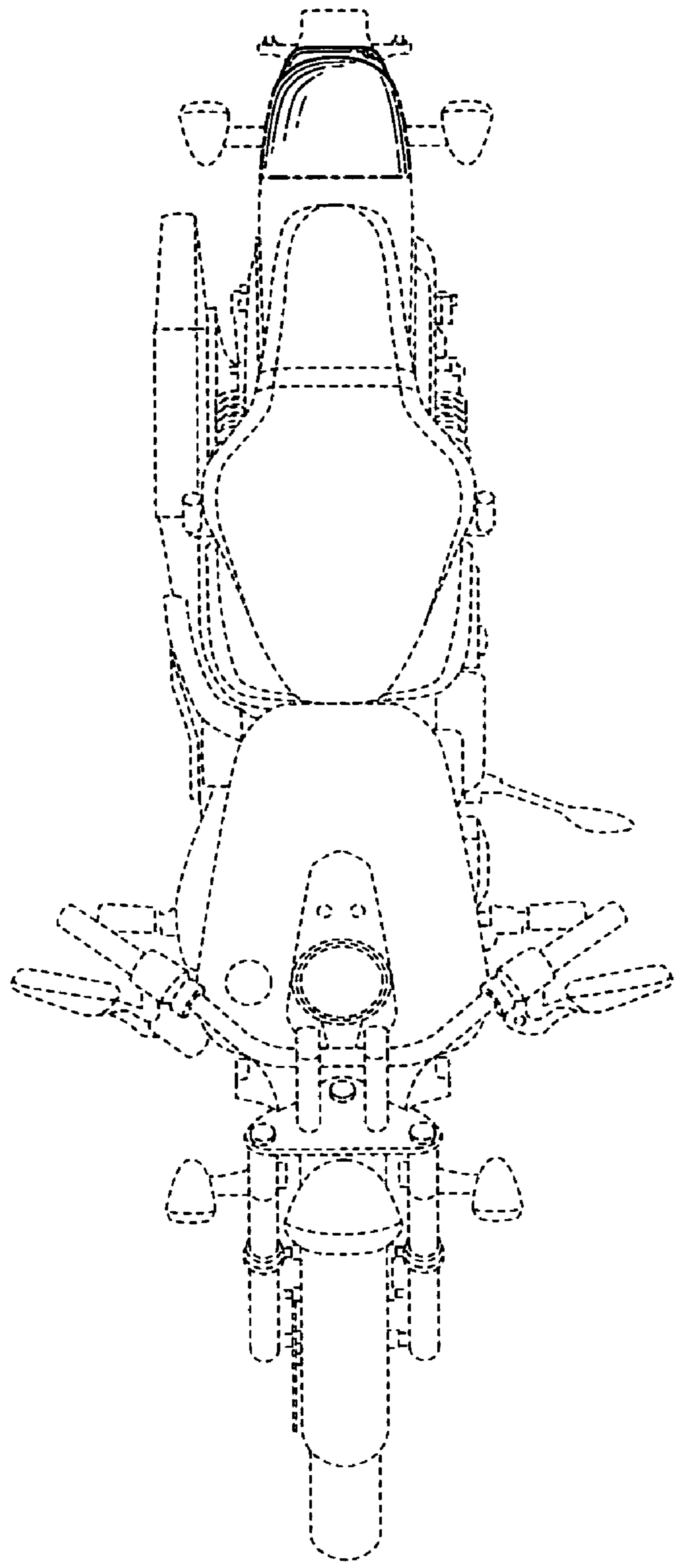


Fig.4

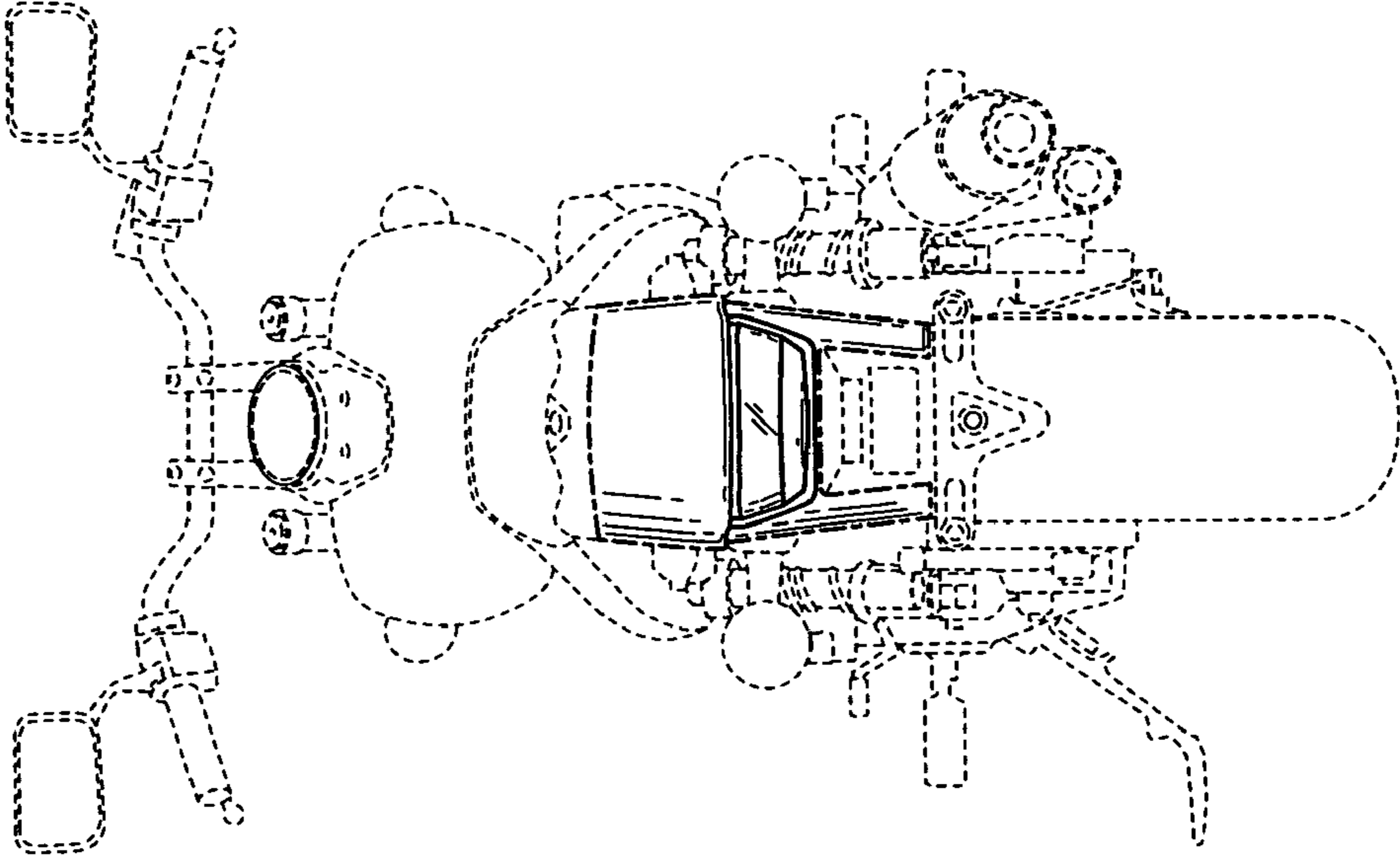


Fig.5

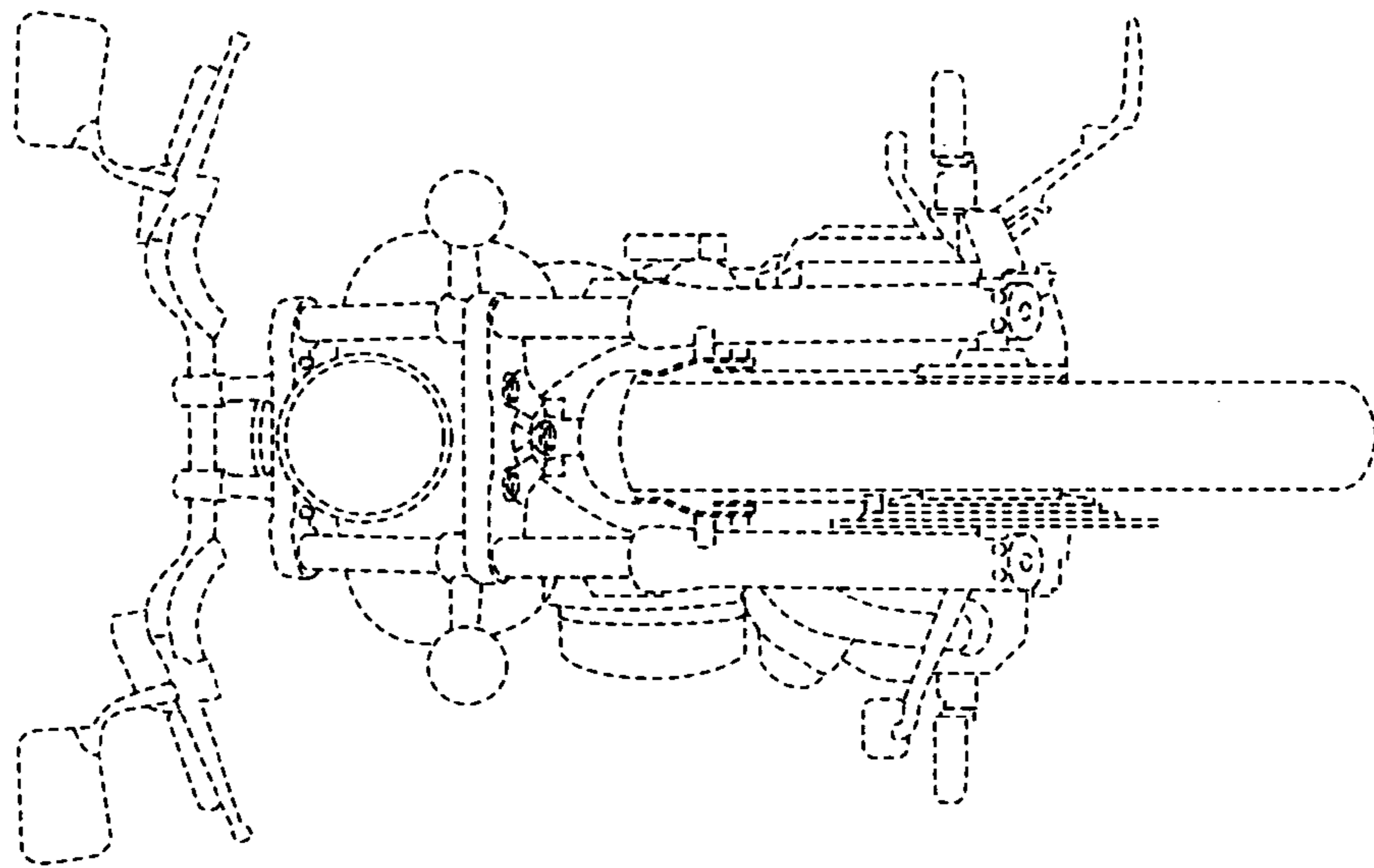


Fig.6

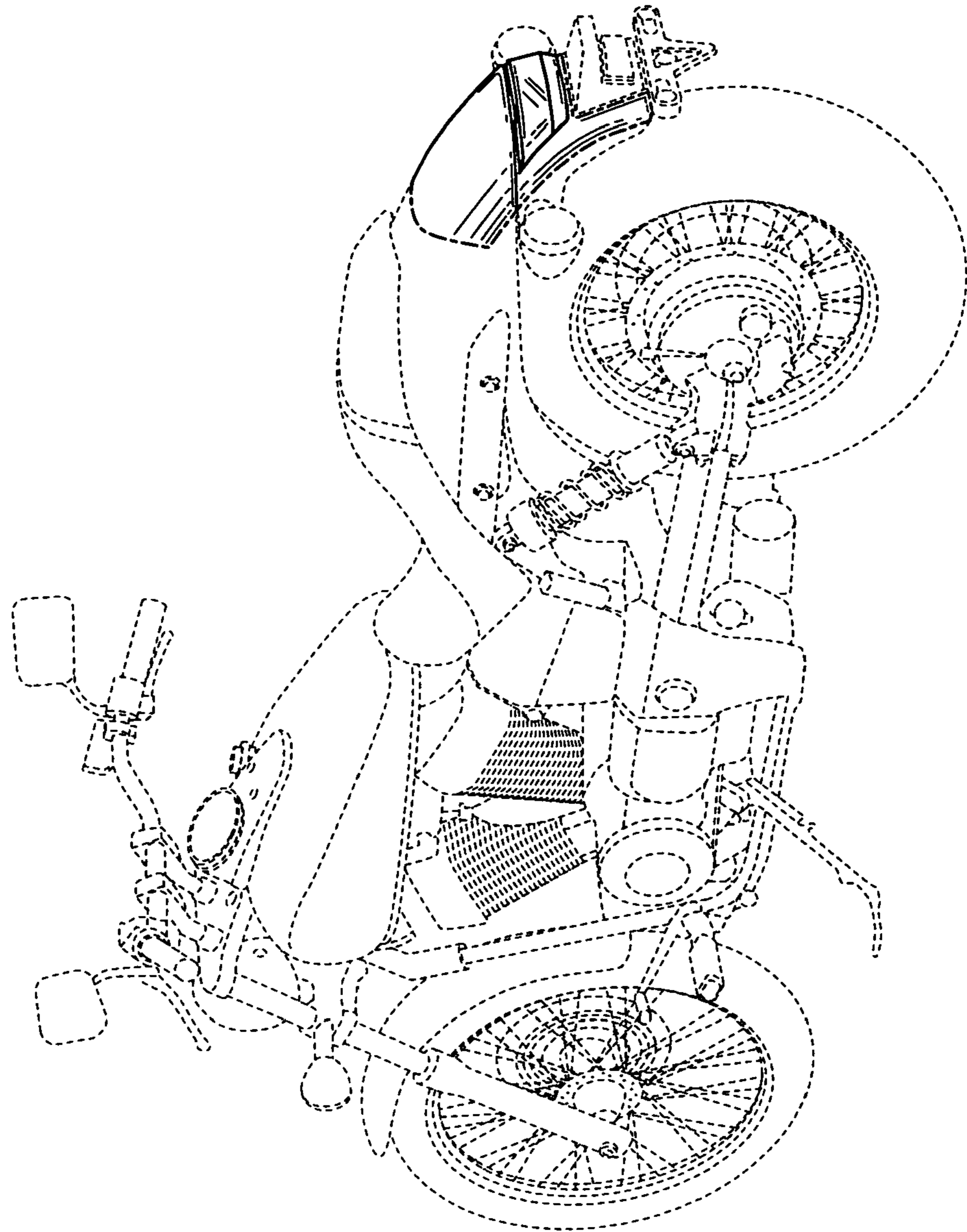


Fig. 7

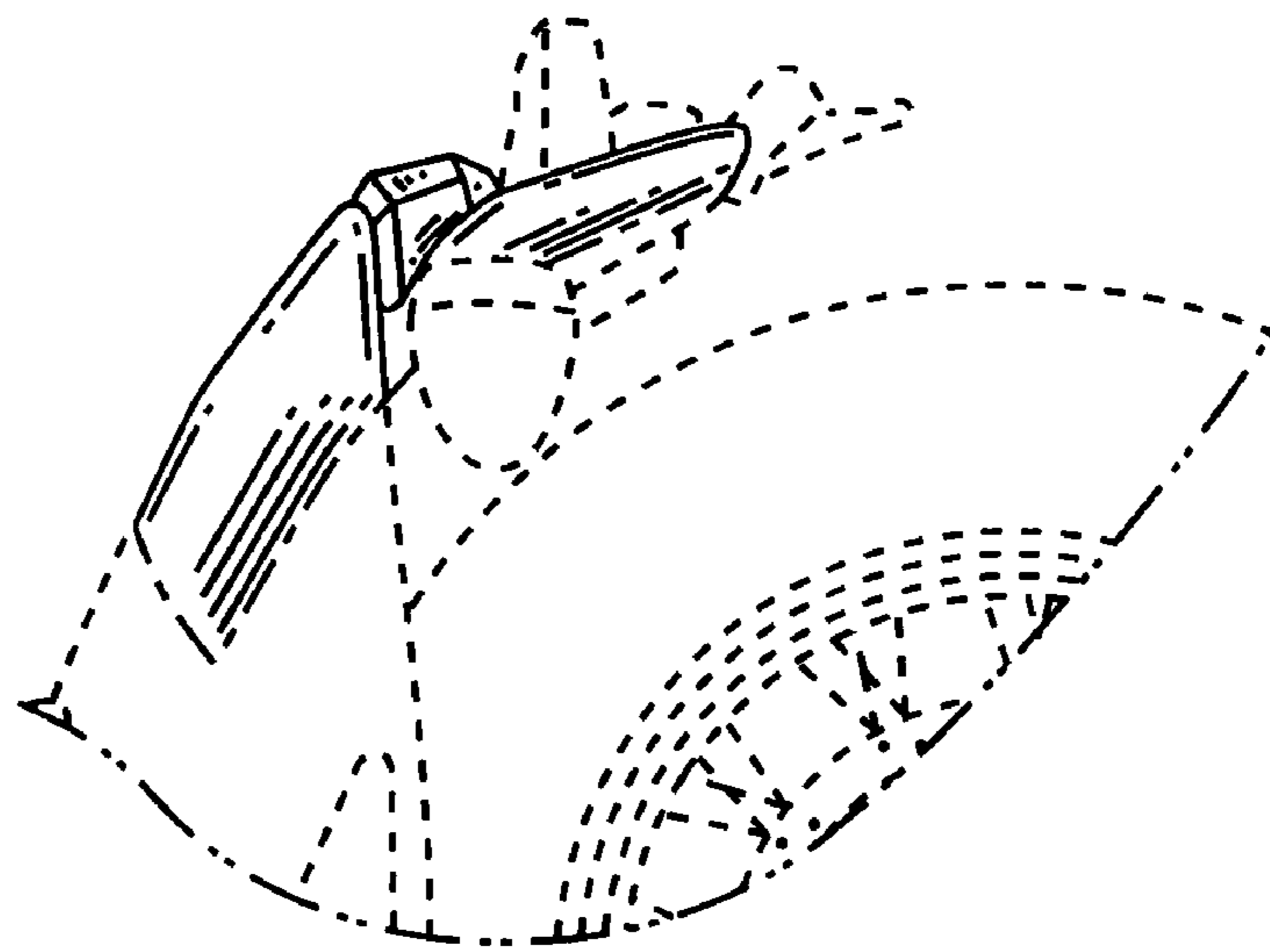




Fig. 8

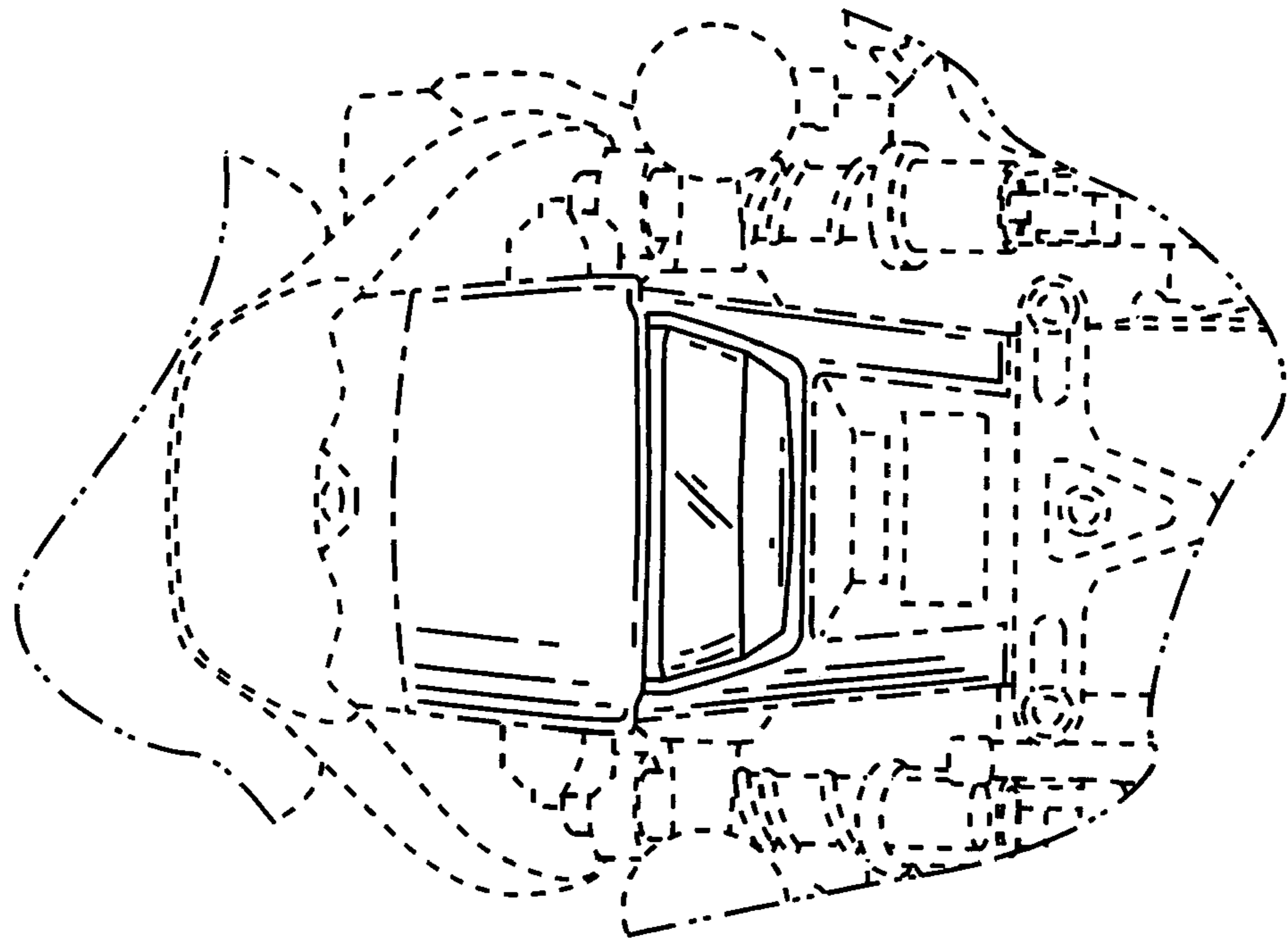


Fig. 9

