



US00D555541S

(12) **United States Design Patent**
Muller

(10) **Patent No.:** **US D555,541 S**

(45) **Date of Patent:** **** Nov. 20, 2007**

(54) **AUTOMOBILE**

D525,914 S * 8/2006 Taylor et al. D12/92
D534,459 S * 1/2007 Kim et al. D12/91

(75) Inventor: **Victor Roberto Muller**, Breukeleveen
(NL)

* cited by examiner

(73) Assignee: **Spyker Cars N.V.** (NL)

Primary Examiner—Melody N. Brown

(**) Term: **14 Years**

(74) *Attorney, Agent, or Firm*—Greenberg Traurig, LLP;
Paul F. McQuade; James E. Goepel

(21) Appl. No.: **29/248,656**

(57) **CLAIM**

(22) Filed: **Aug. 25, 2006**

The ornamental design for an automobile, as shown and described.

(30) **Foreign Application Priority Data**

Feb. 27, 2006 (HK) 0600468

DESCRIPTION

(51) **LOC (8) Cl.** **12-08**

FIG. 1 is a front perspective view of the automobile, showing the present design;

(52) **U.S. Cl.** **D12/92**

FIG. 2 is a front elevation view of the present design;

(58) **Field of Classification Search** D12/90–92,
D12/86; 296/181.1, 181.5

FIG. 3 is a rear elevation view of the present design;

See application file for complete search history.

FIG. 4 is a right side elevation view of the present design;

FIG. 5 is a left side elevation view of the present design.

(56) **References Cited**

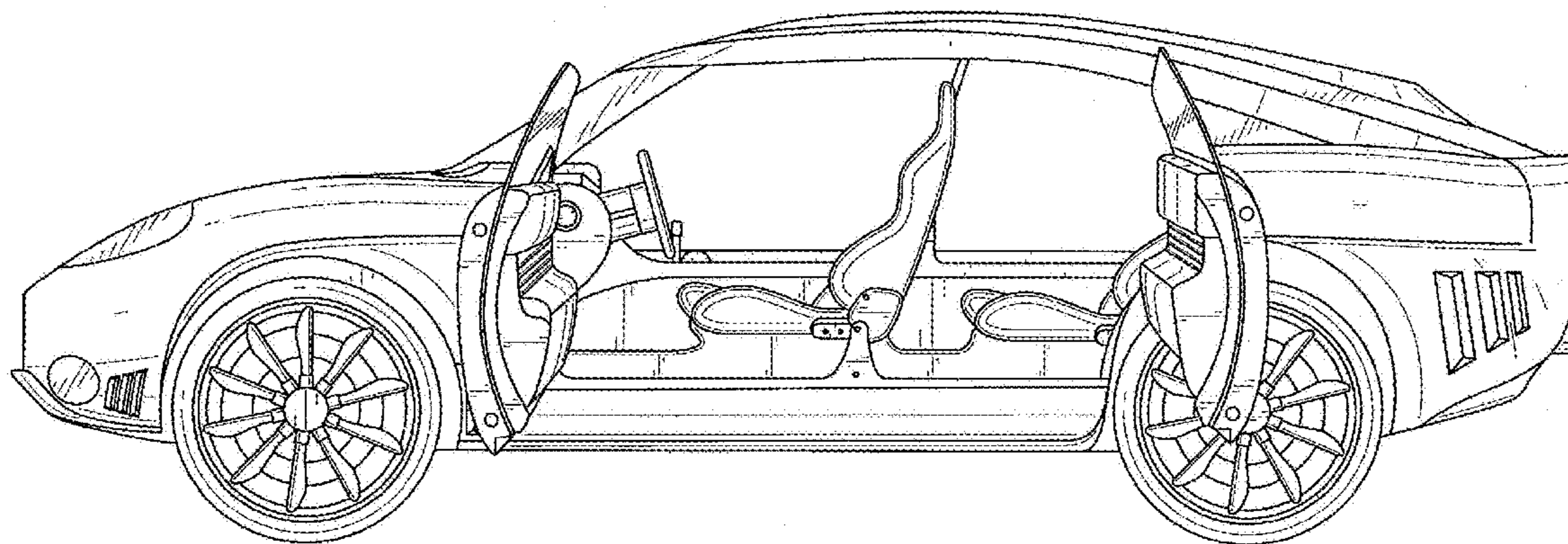
FIG. 6 is a top plan view of the present design; and,

FIG. 7 is another left side elevation view of the present design with the doors in the open position.

U.S. PATENT DOCUMENTS

D508,439 S * 8/2005 Adams, III D12/92
D523,778 S * 6/2006 Saridakis et al. D12/92

1 Claim, 6 Drawing Sheets



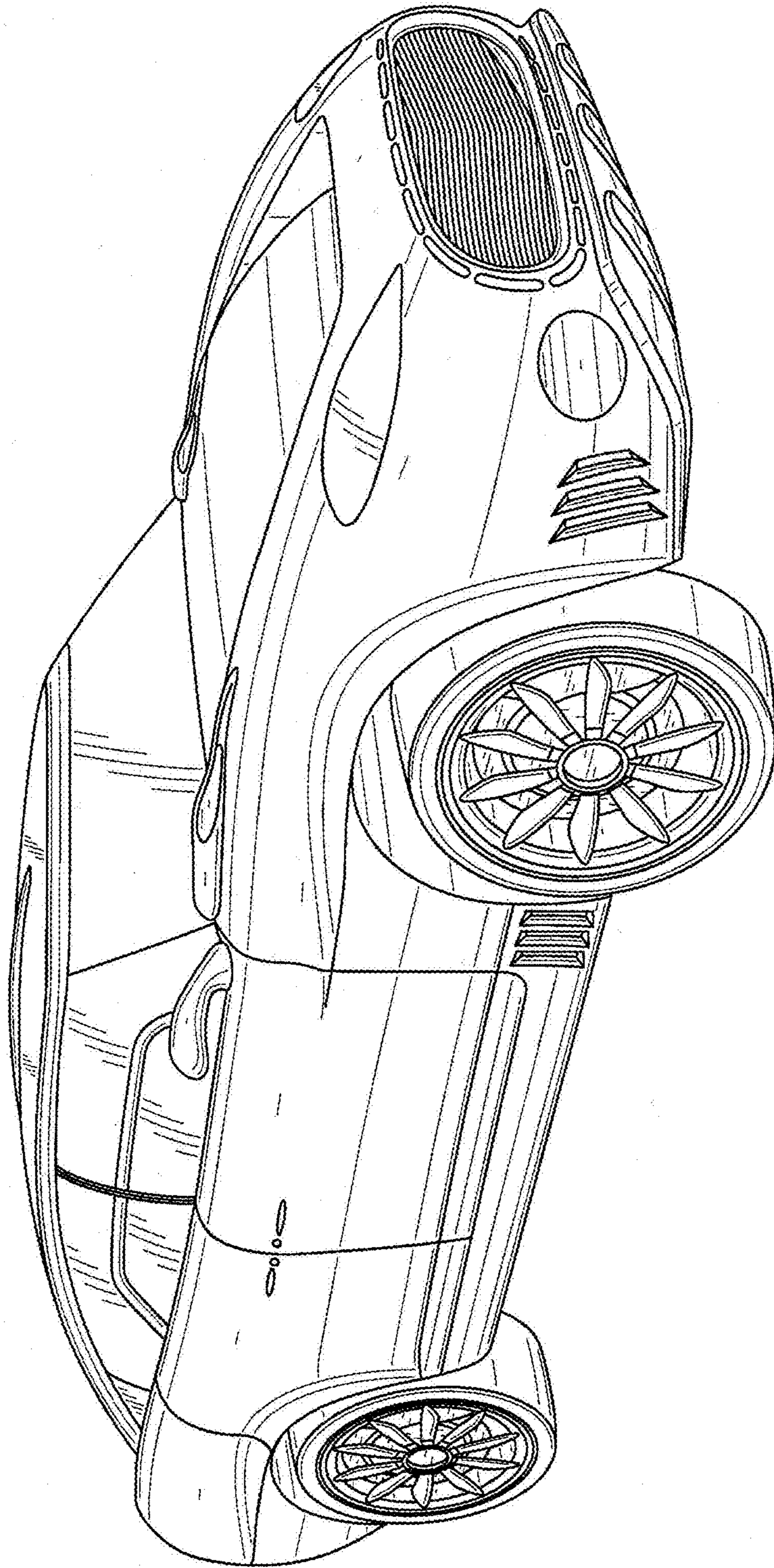


Figure 1

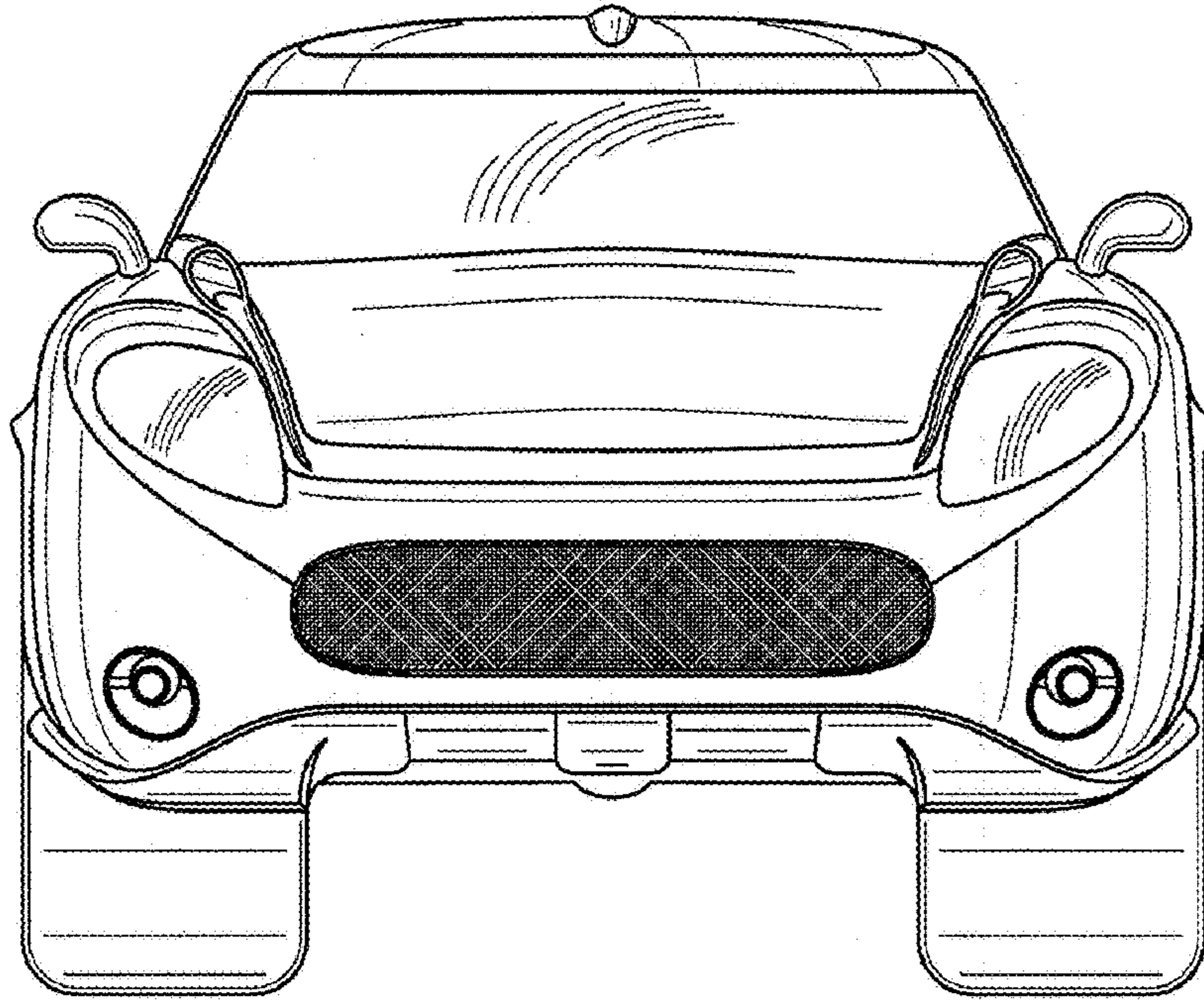


Figure 2

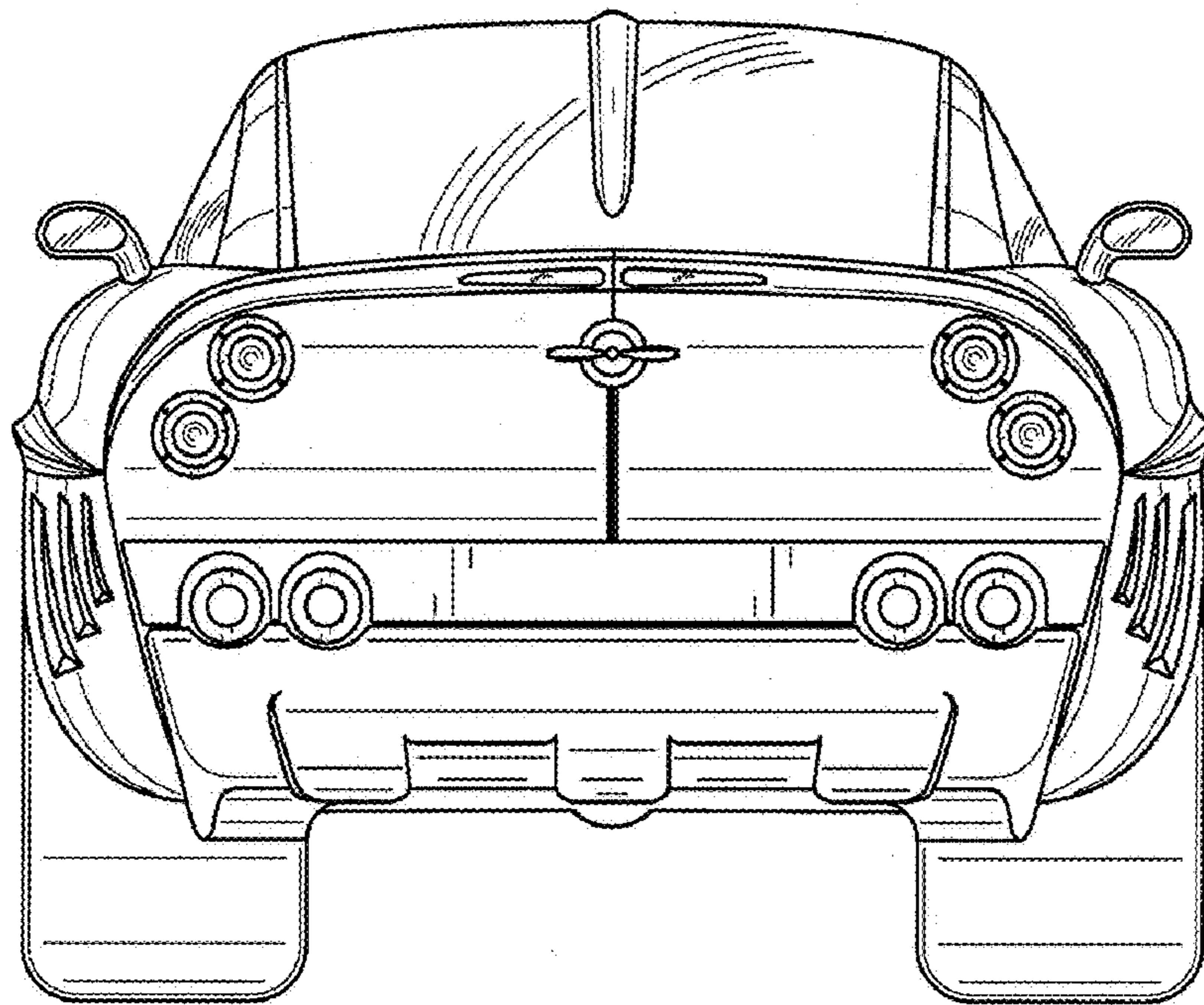


Figure 3

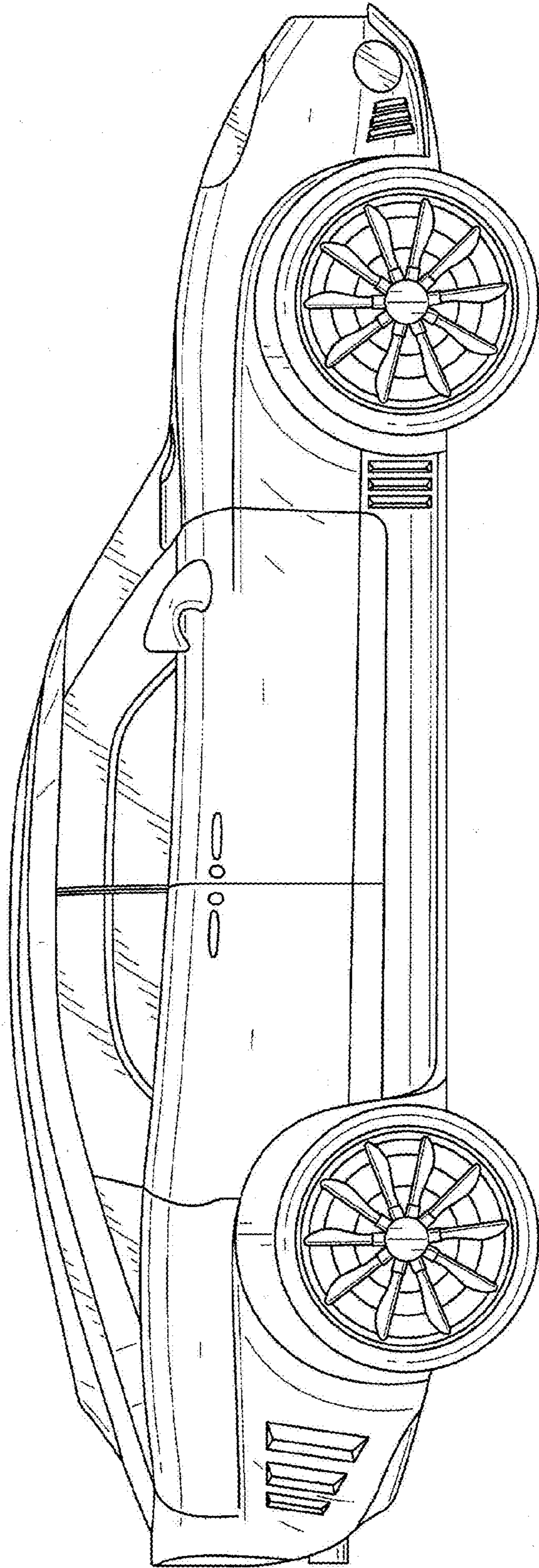


Figure 4

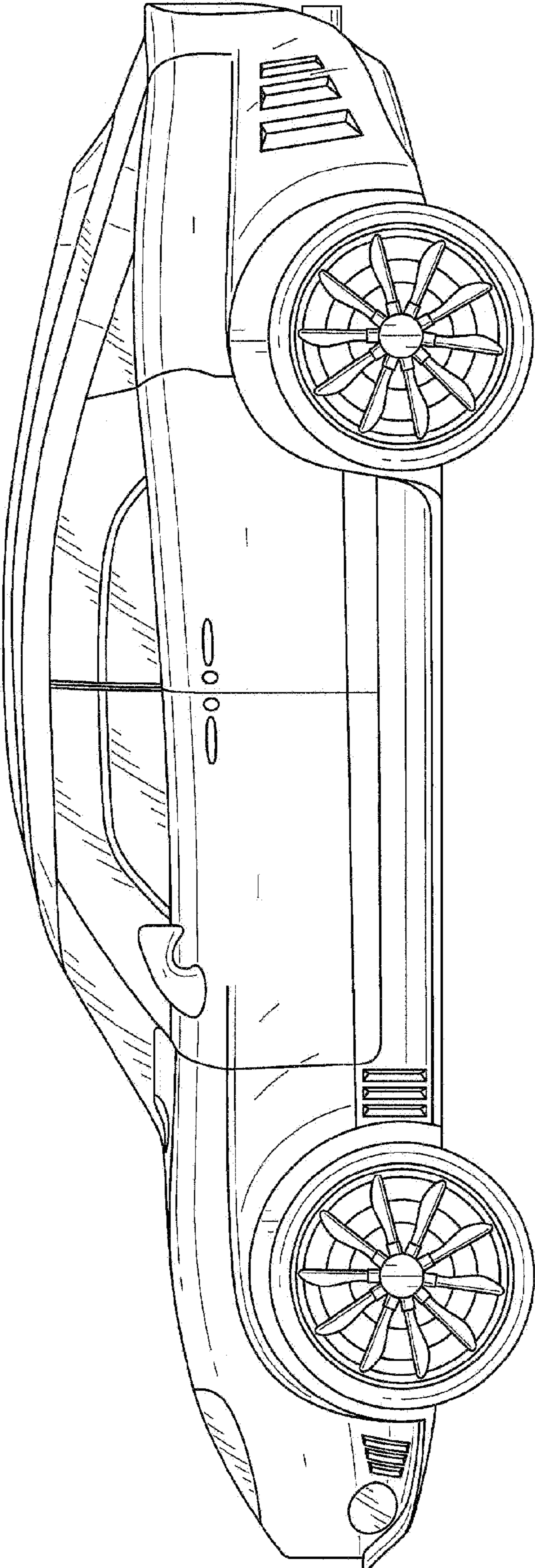


Figure 5

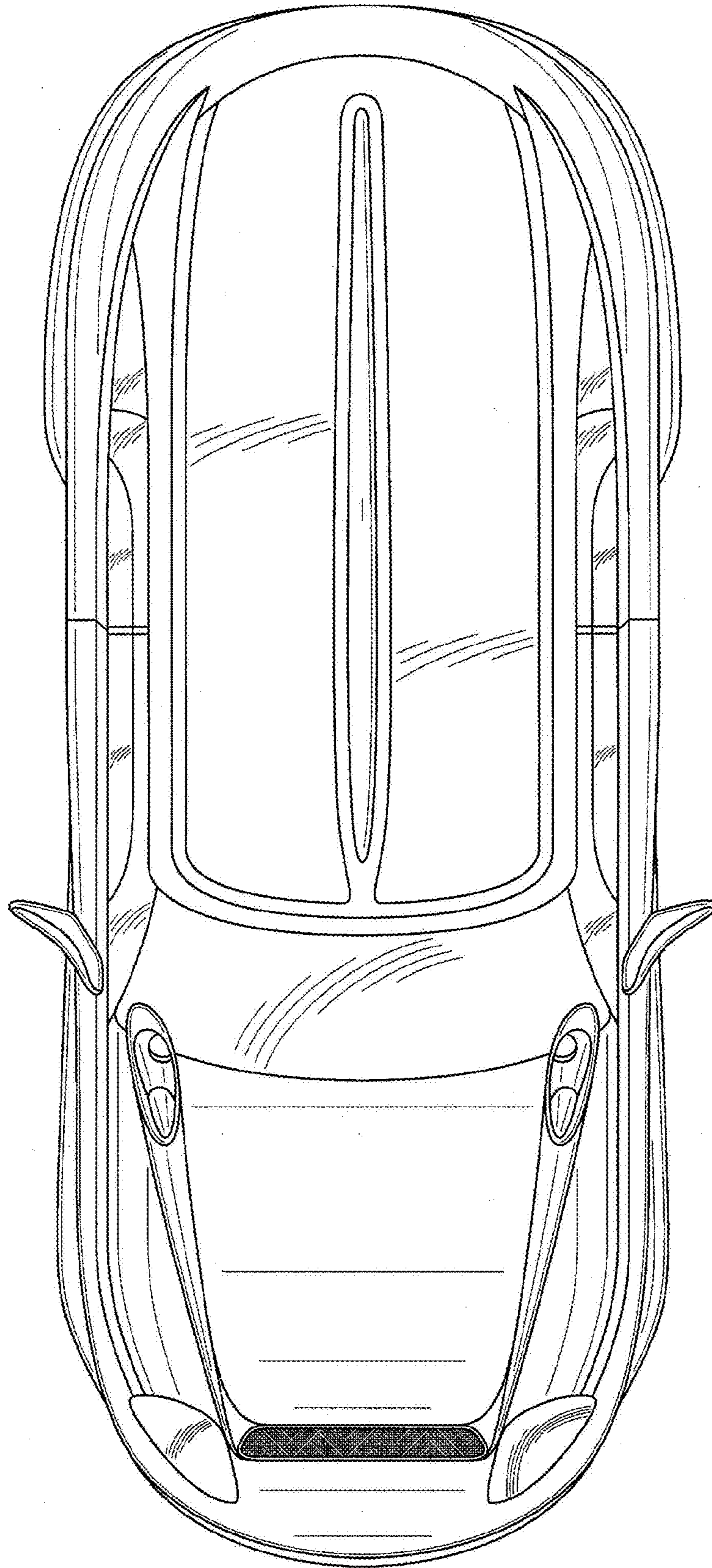


Figure 6

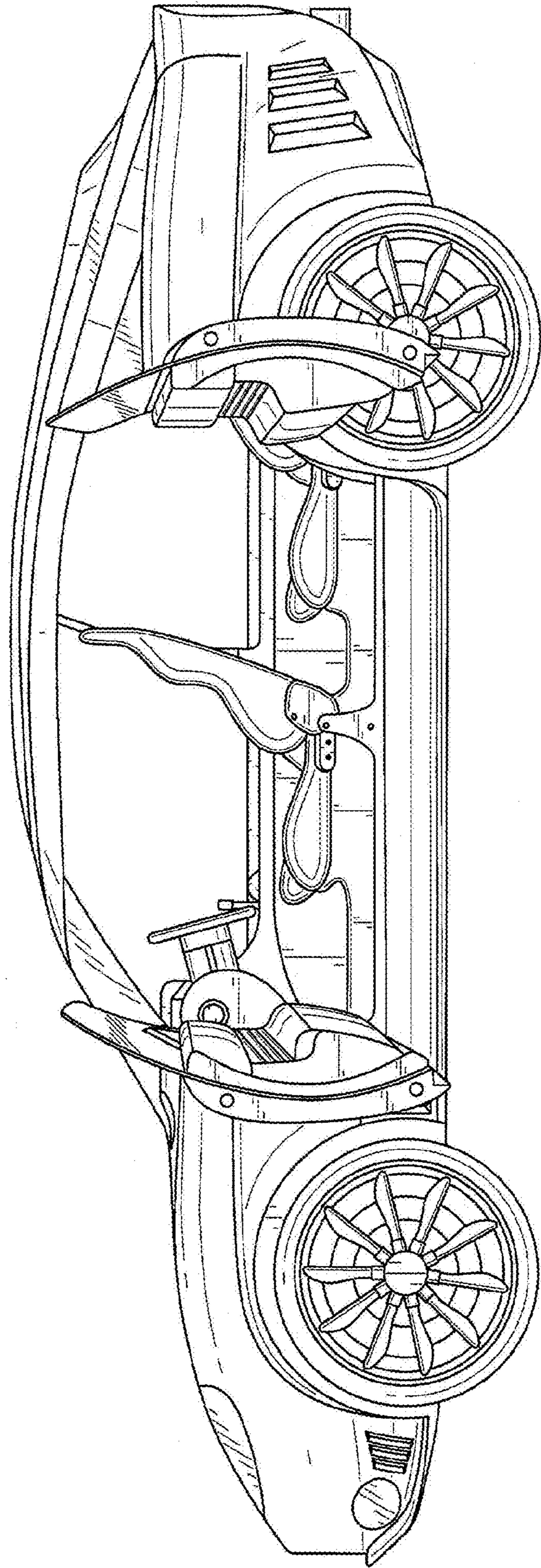


Figure 7