



US00D555538S

(12) **United States Design Patent**  
**Lin**

(10) **Patent No.:** **US D555,538 S**

(45) **Date of Patent:** **\*\* Nov. 20, 2007**

(54) **SLIDE**

(75) Inventor: **Yu-Pau Lin**, Tao Yuan Hsien (TW)

(73) Assignee: **Chung Chwan Enterprise Co., Ltd.**,  
Tao Yuan Hsien (TW)

(\*\*) Term: **14 Years**

(21) Appl. No.: **29/256,382**

(22) Filed: **Mar. 21, 2006**

(51) **LOC (8) Cl.** ..... **02-07**

(52) **U.S. Cl.** ..... **D11/221**

(58) **Field of Classification Search** ..... D11/200,  
D11/201, 221; 24/415-417, 419, 421, 427-431,  
24/381-382, 385, 387, 433; 384/64  
See application file for complete search history.

(56) **References Cited**

**U.S. PATENT DOCUMENTS**

D371,524 S *	7/1996	Ikehara	.....	D11/221
D390,811 S *	2/1998	Yaguramaki	.....	D11/221
D403,987 S *	1/1999	Minato	.....	D11/221
D498,434 S *	11/2004	Iwase	.....	D11/221
D512,340 S *	12/2005	Keyaki et al.	.....	D11/221
D527,311 S *	8/2006	Yamagishi et al.	.....	D11/221

\* cited by examiner

*Primary Examiner*—Ralf Seifert

(74) *Attorney, Agent, or Firm*—Rosenberg, Klein & Lee

(57) **CLAIM**

The ornamental design for an “slide,” as shown and described.

**DESCRIPTION**

FIG. 1 is a perspective view of an “slide” showing my new design;

FIG. 2 is a front view thereof;

FIG. 3 is a rear view thereof;

FIG. 4 is a left side view thereof;

FIG. 5 is a right side view thereof;

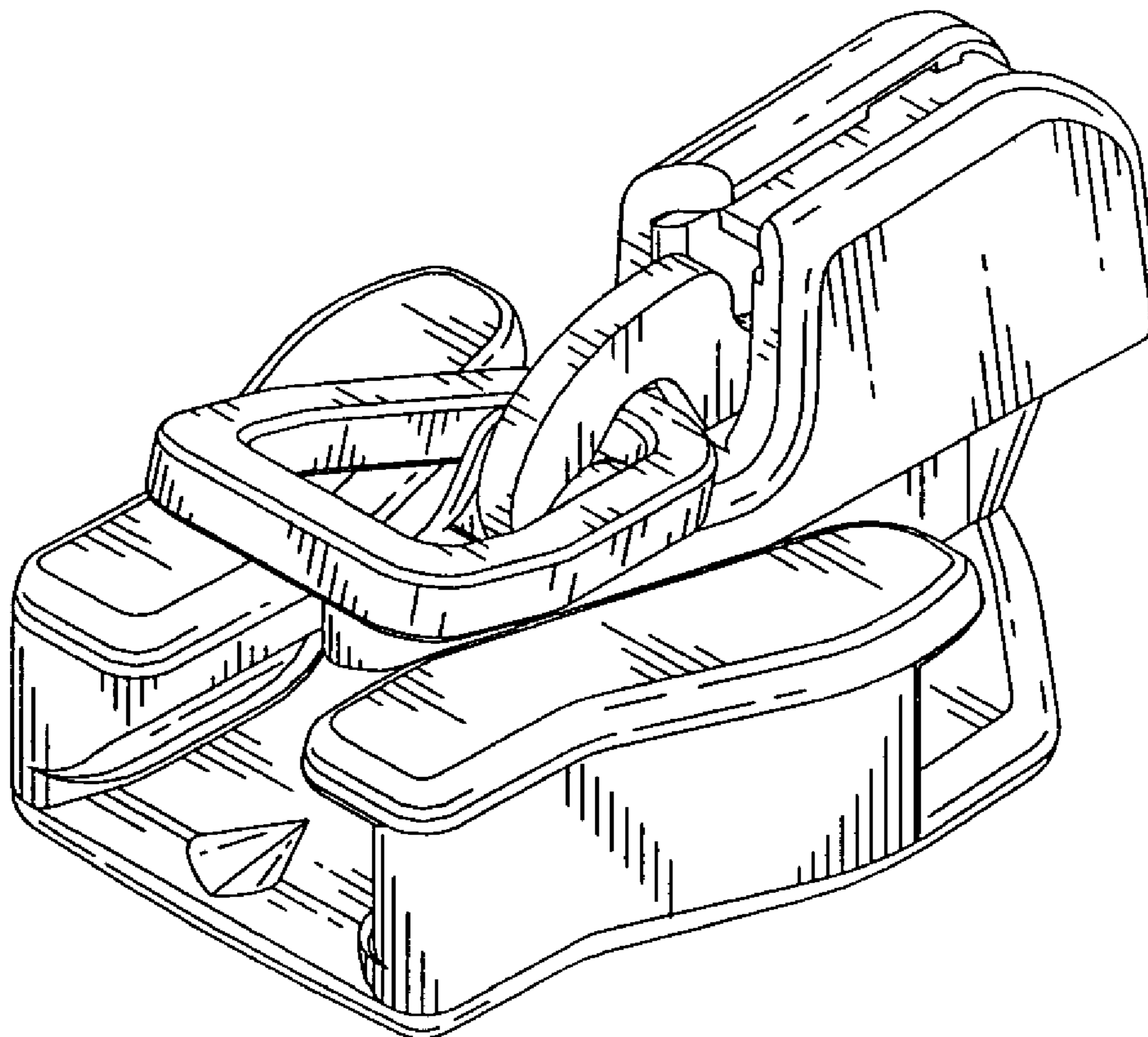
FIG. 6 is a top view thereof;

FIG. 7 is a bottom view thereof; and,

FIG. 8 is a zipper in use after a puller is assembled on the zipper.

It being understood that the broken lines of the zipper pull are for illustrative purposes only and form no part of the claimed design.

**1 Claim, 5 Drawing Sheets**



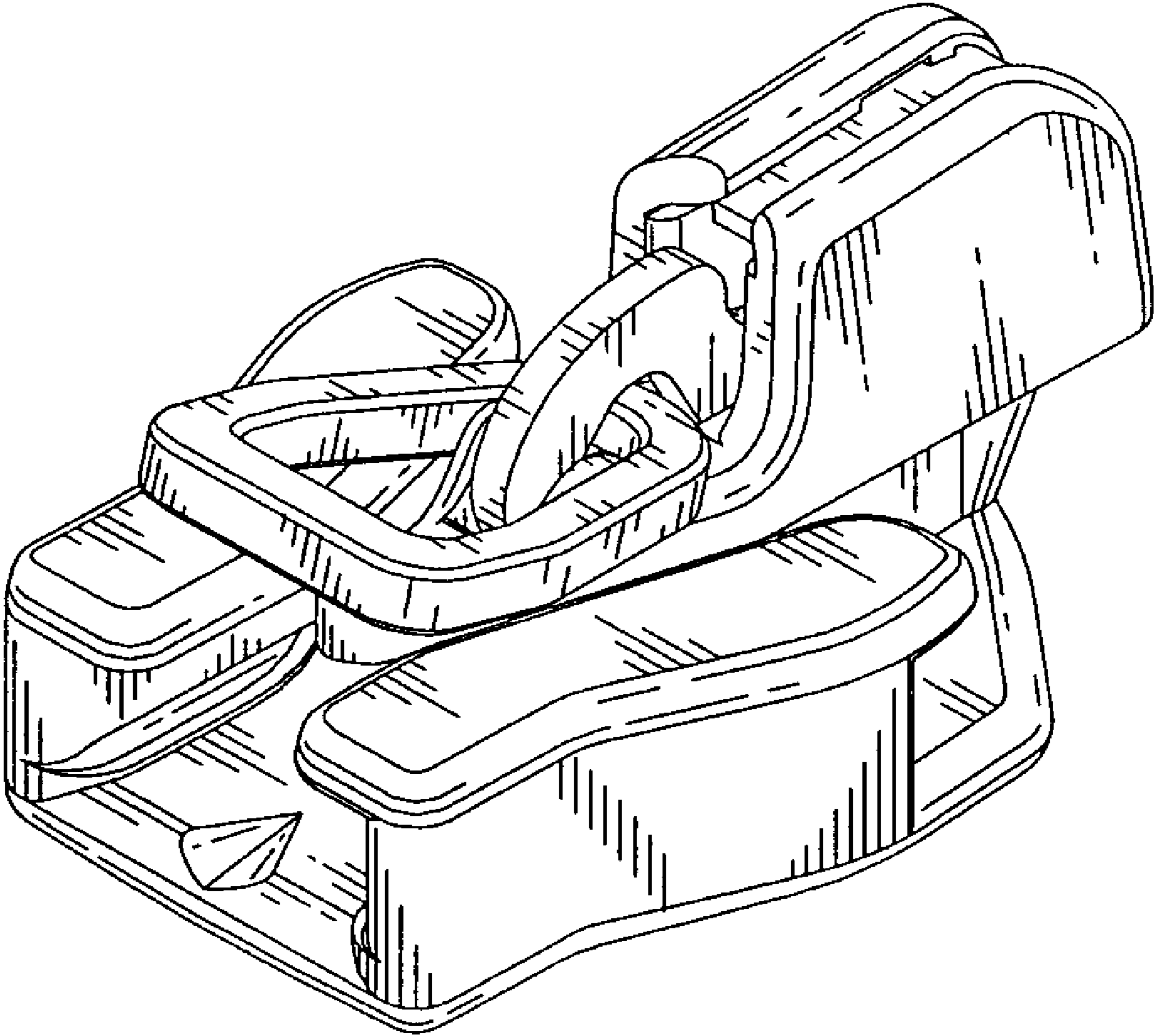


FIG 1

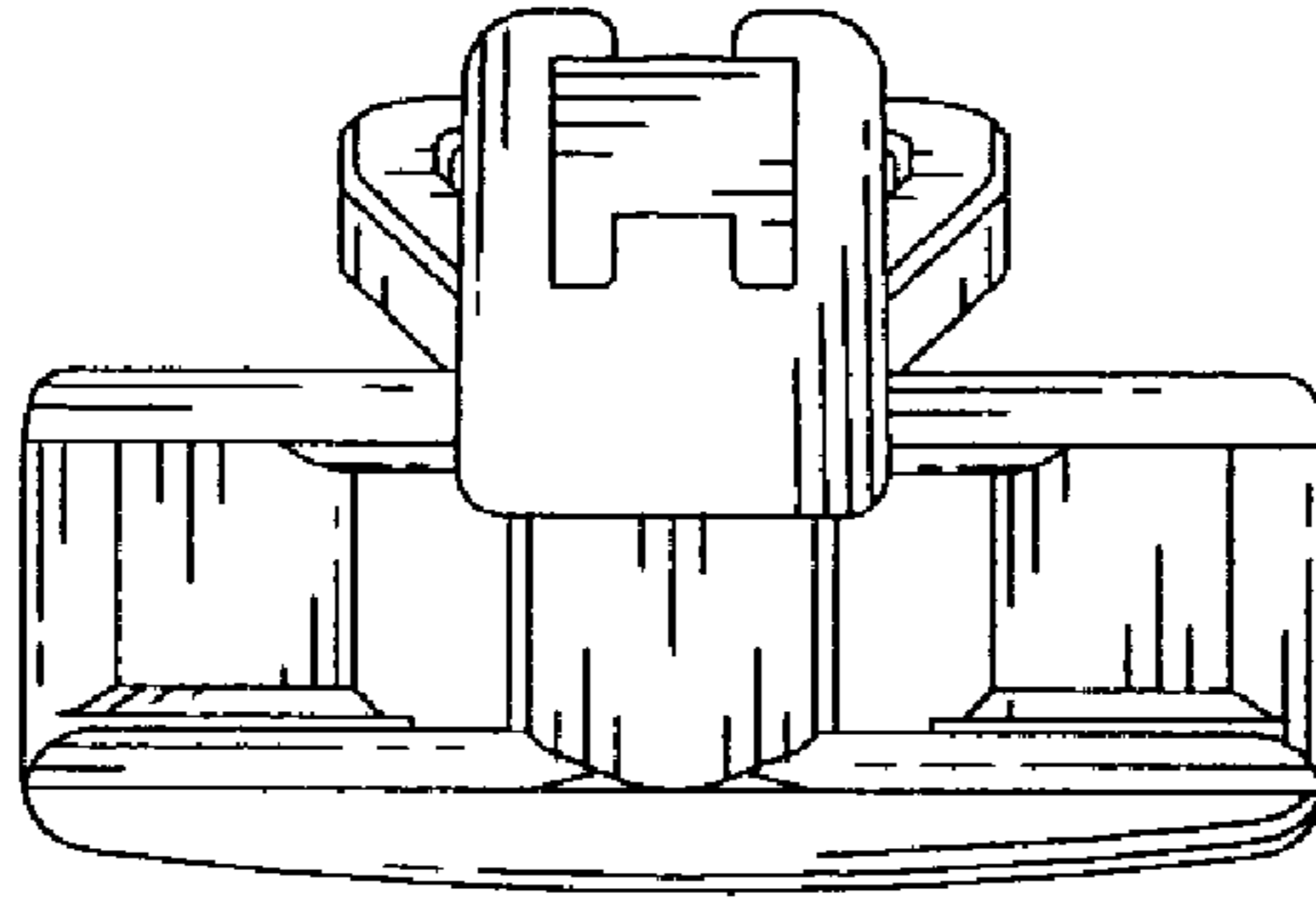


FIG 2

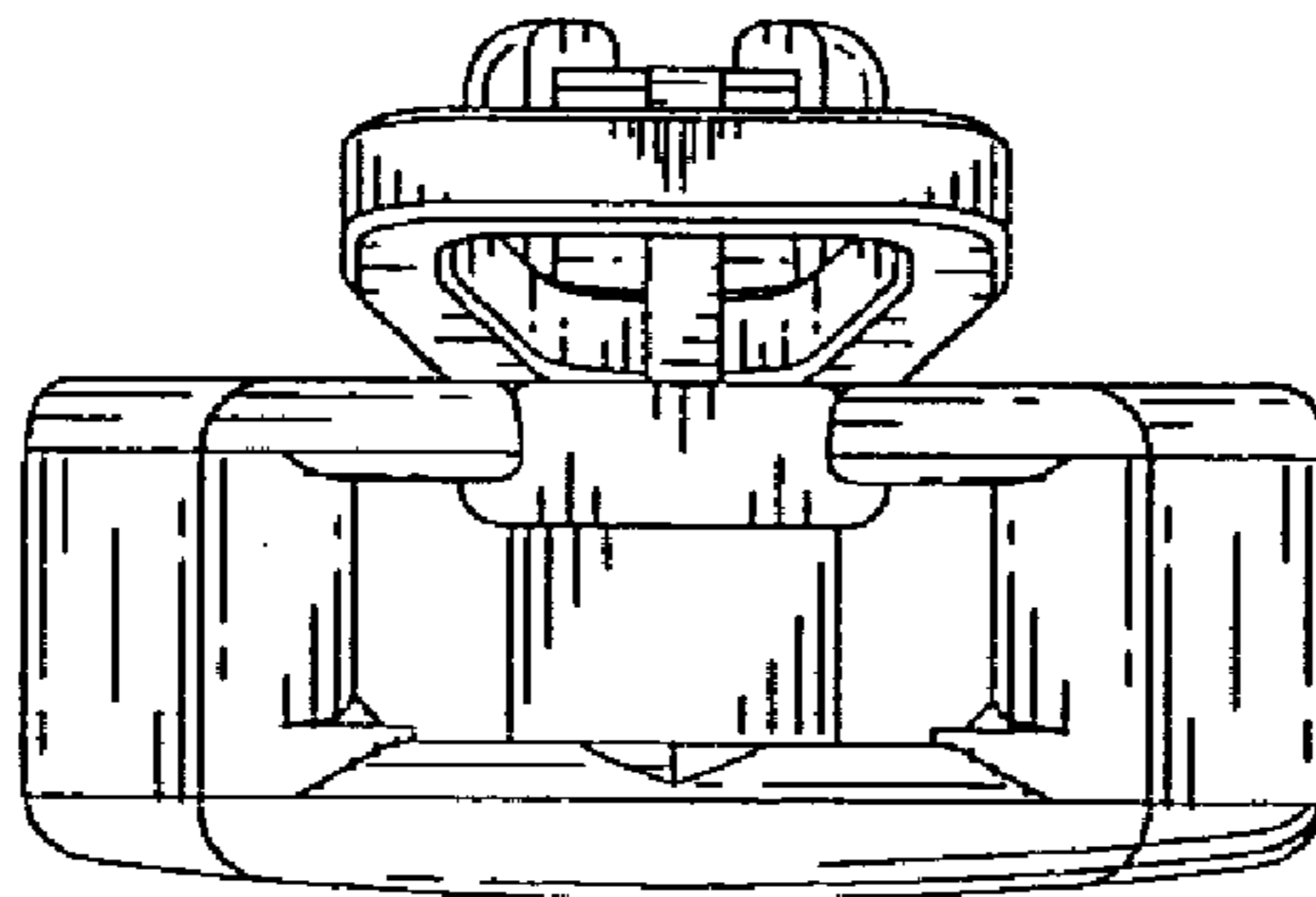


FIG 3

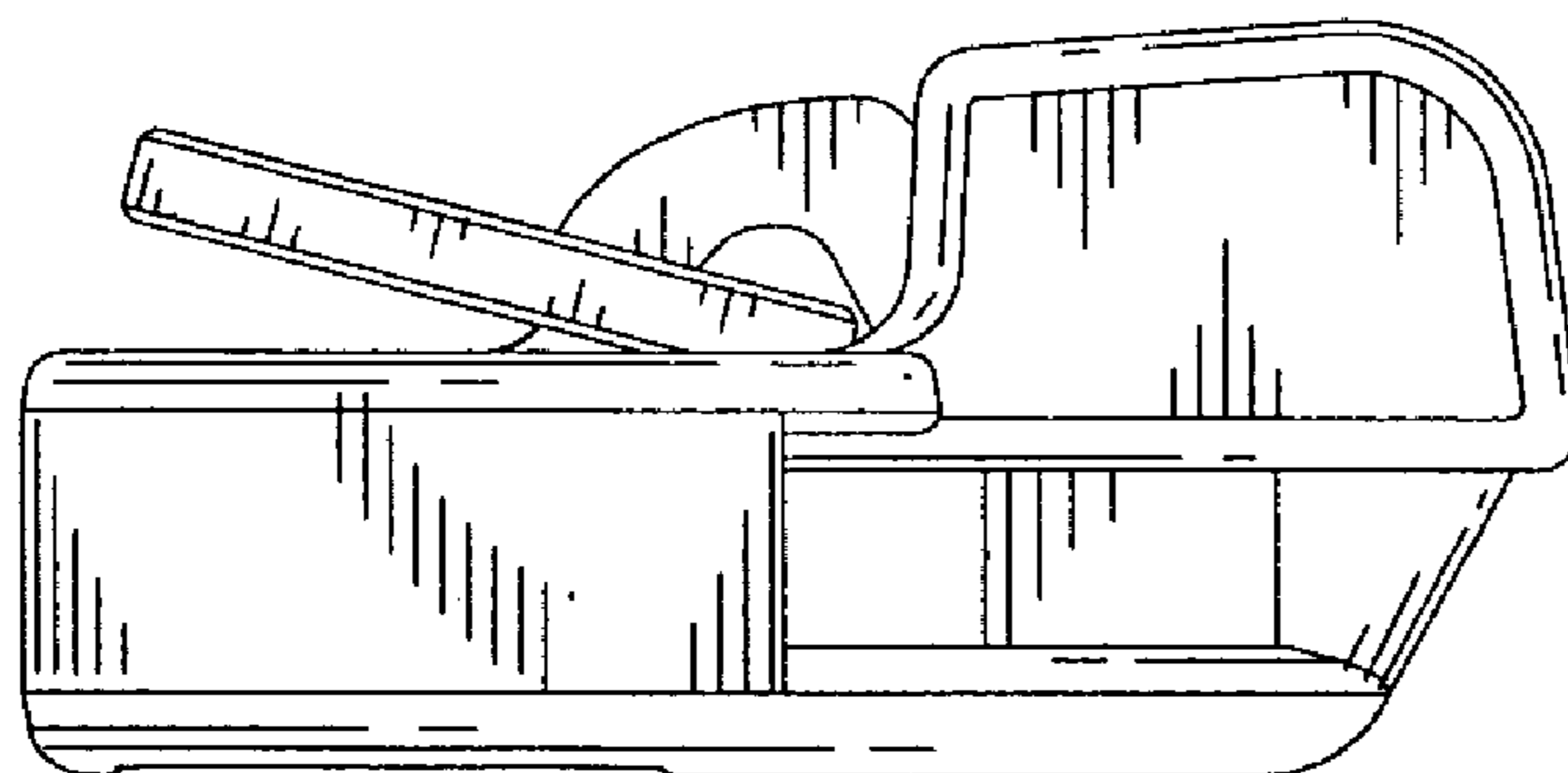


FIG 4

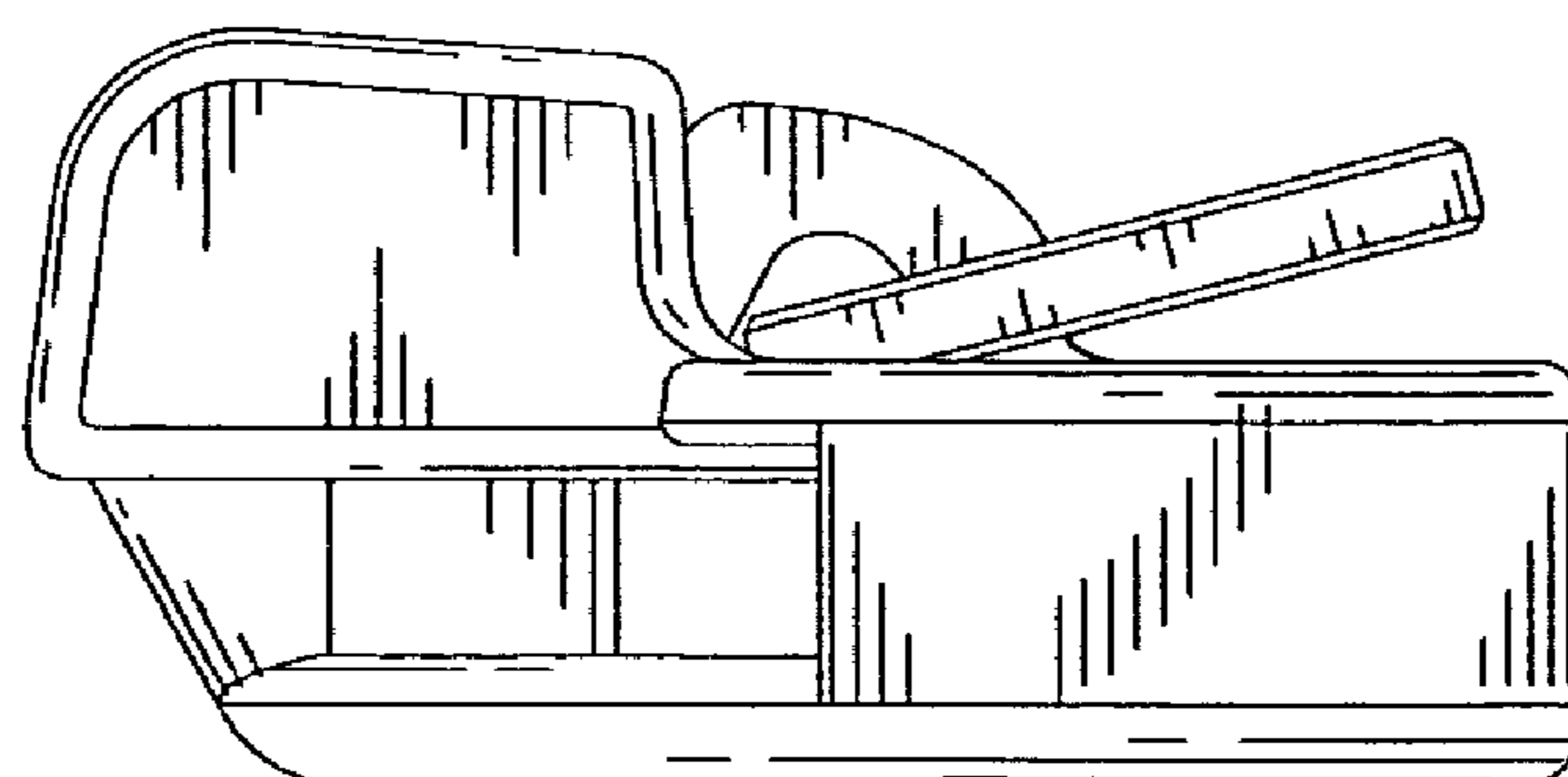


FIG 5

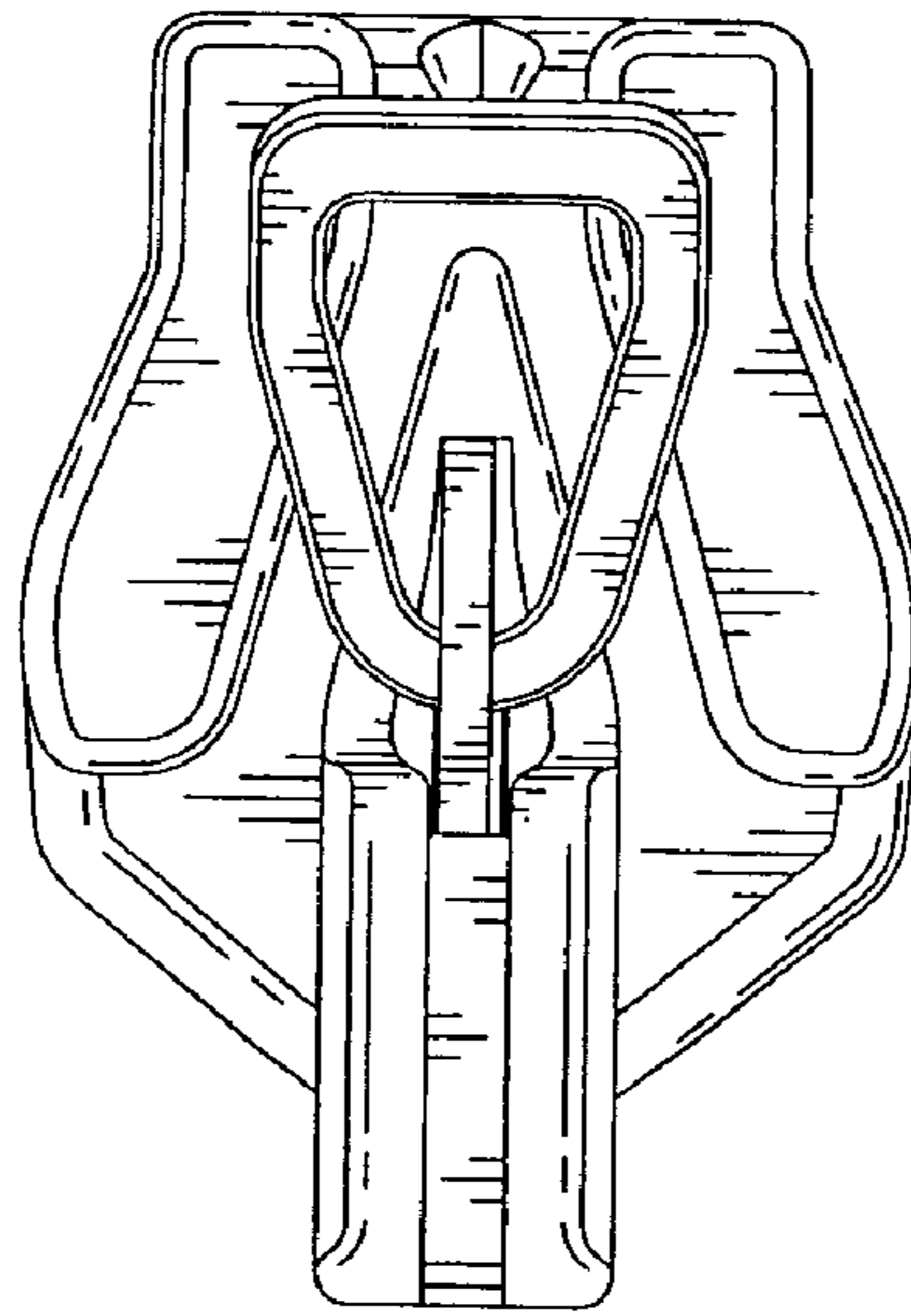


FIG 6

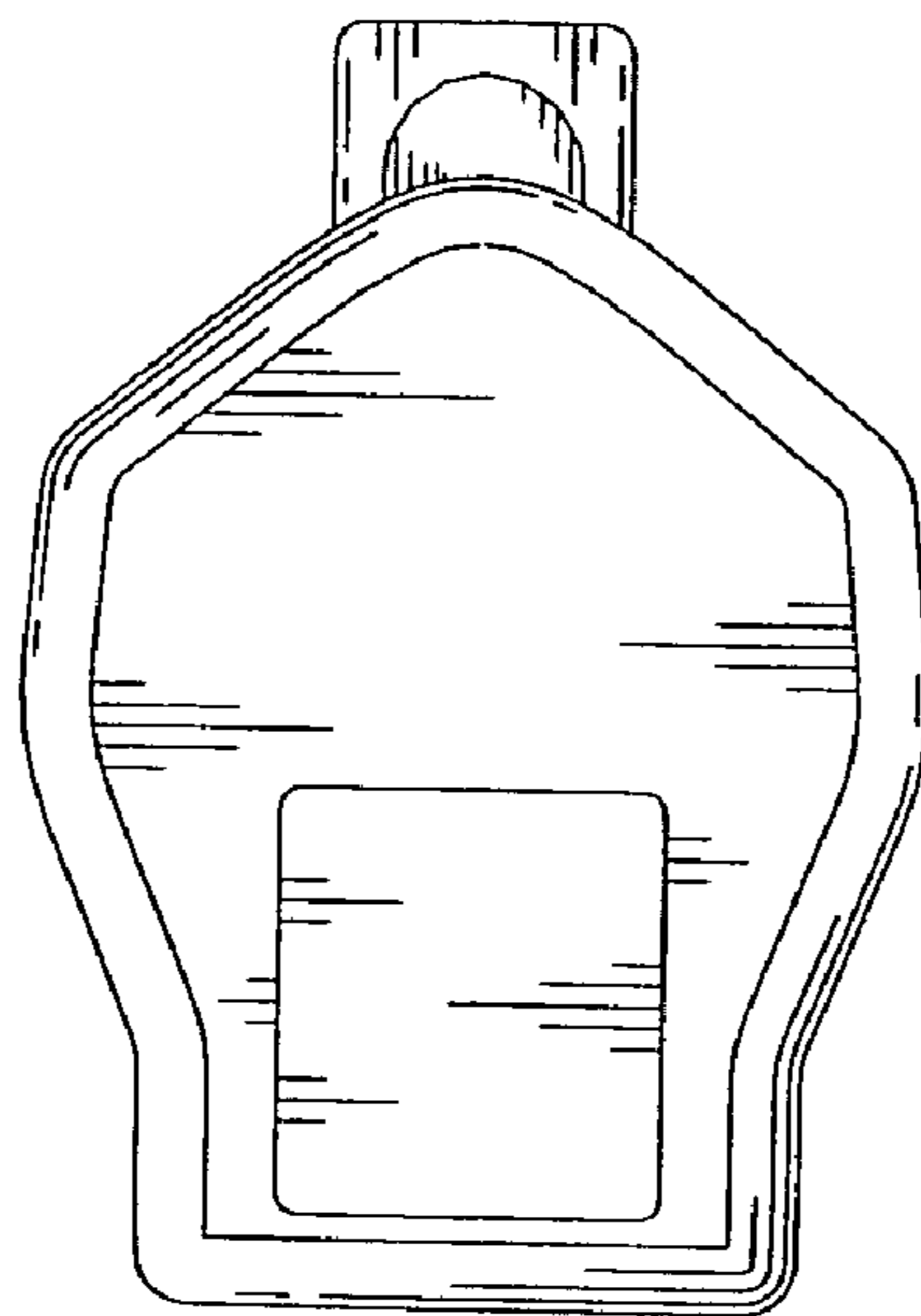


FIG 7

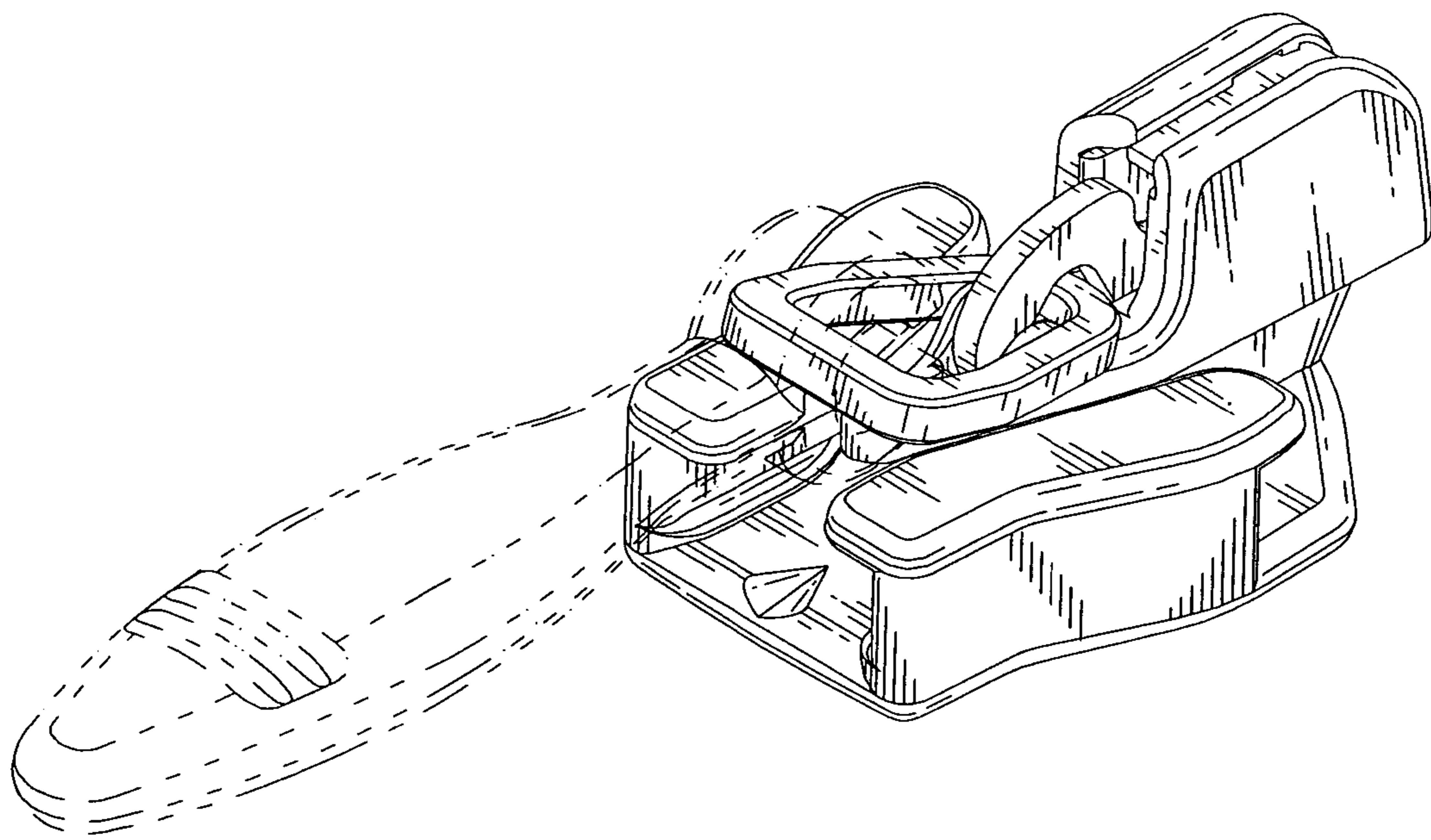


FIG 8