



US00D555537S

(12) **United States Design Patent** (10) **Patent No.:** **US D555,537 S**  
**Portelli** (45) **Date of Patent:** **\*\* Nov. 20, 2007**

(54) **BUCKLE GUARD** GB 2 307 711 6/1997  
 (76) Inventor: **Charles Portelli**, 2b Kerferd Street, GB 2 368 093 4/2002  
 Hampton, VIC (AU) 3198 GB 2 391 900 2/2004

(\*\*) Term: **14 Years**

(21) Appl. No.: **29/243,569**

(22) Filed: **Nov. 28, 2005**

(51) **LOC (8) Cl.** ..... **02-07**

(52) **U.S. Cl.** ..... **D11/200**

(58) **Field of Classification Search** ..... D11/200–201,  
 D11/206–210, 214–216, 218; 24/163 R,  
 24/169–171, 173, 177–179, 191, 194, 195,  
 24/200, 197; 280/801.1

See application file for complete search history.

(56) **References Cited**

**U.S. PATENT DOCUMENTS**

D213,087 S *	1/1969	Klink	.....	D11/216
4,497,094 A	2/1985	Morris	.....	24/633
D290,311 S *	6/1987	Metzger	.....	D3/327
4,674,303 A	6/1987	Salcone, II	.....	70/63
4,731,912 A	3/1988	Boriskie et al.	.....	24/633
4,878,277 A	11/1989	Portuese	.....	24/633
5,052,087 A	10/1991	Portuese	.....	24/633
5,075,937 A *	12/1991	Schneider et al.	.....	24/637
5,165,149 A *	11/1992	Nihei	.....	24/633
5,307,544 A	5/1994	Quarberg et al.	.....	24/633
5,442,840 A	8/1995	Ewald	.....	24/633
D413,080 S *	8/1999	Girardin	.....	D11/215
6,041,480 A	3/2000	White	.....	24/633
6,332,252 B1	12/2001	Powers	.....	24/633
6,694,578 B1	2/2004	Nicoll	.....	24/645
D530,883 S *	10/2006	Cholewa	.....	D2/639
2003/0222450 A1	12/2003	Sirois		

**FOREIGN PATENT DOCUMENTS**

GB 2 307 505 5/1997

\* cited by examiner

*Primary Examiner*—Ralf Seifert

(74) *Attorney, Agent, or Firm*—Robert Platt Bell

(57) **CLAIM**

The ornamental design for a buckle guard, substantially as shown and described.

**DESCRIPTION**

FIG. 1 is a left side elevational view of the buckle guard of the present invention.

FIG. 2 is a right side elevational view of the buckle guard of the present invention.

FIG. 3 is a rear elevational view of the buckle guard of the present invention.

FIG. 4 is a front elevational view of the buckle guard of the present invention.

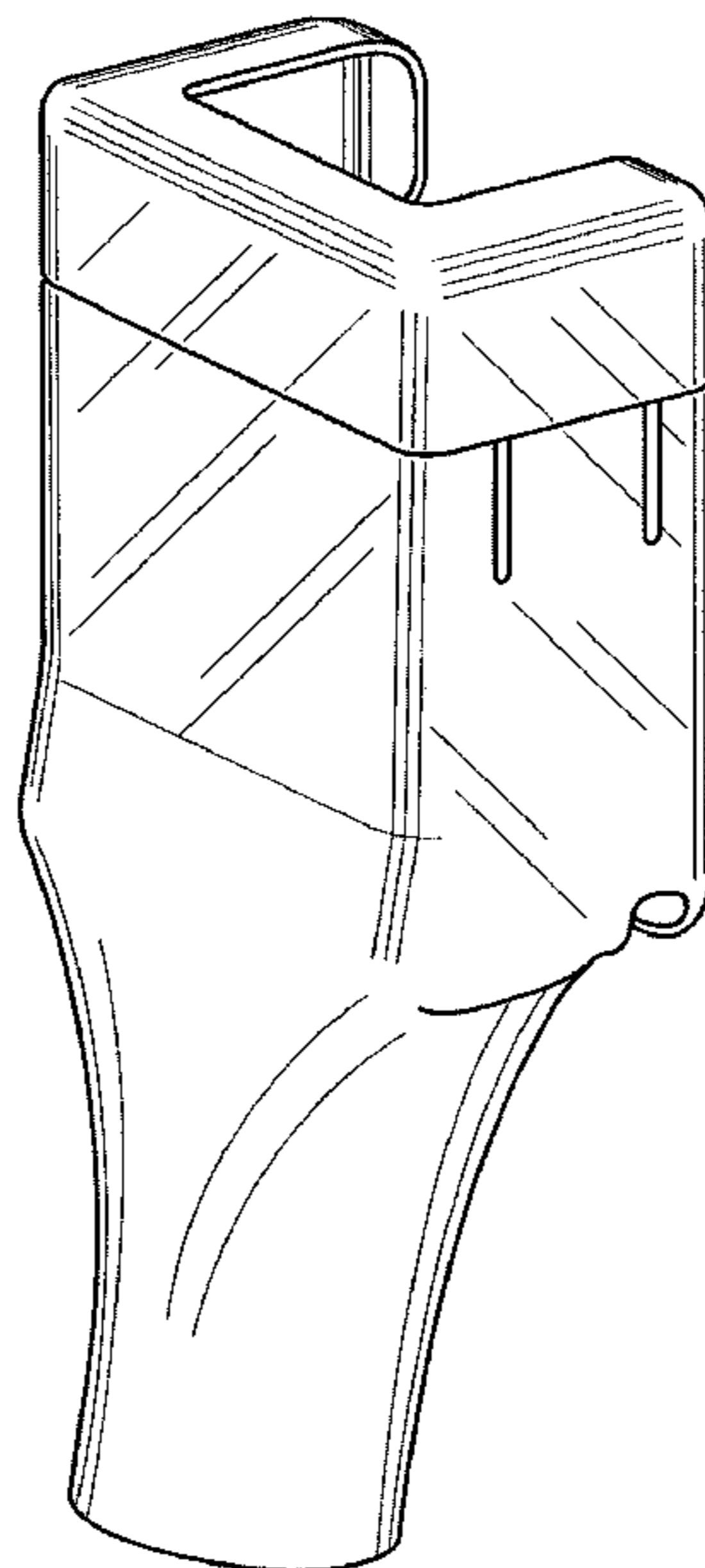
FIG. 5 is a bottom view of the buckle guard of the present invention.

FIG. 6 is a top view of the buckle guard of the present invention.

FIG. 7 is a first perspective view of the buckle guard of the present invention from the right rear, with the apparatus inverted; and,

FIG. 8 is a second perspective view of the buckle guard of the present invention from the front left side.

**1 Claim, 8 Drawing Sheets**



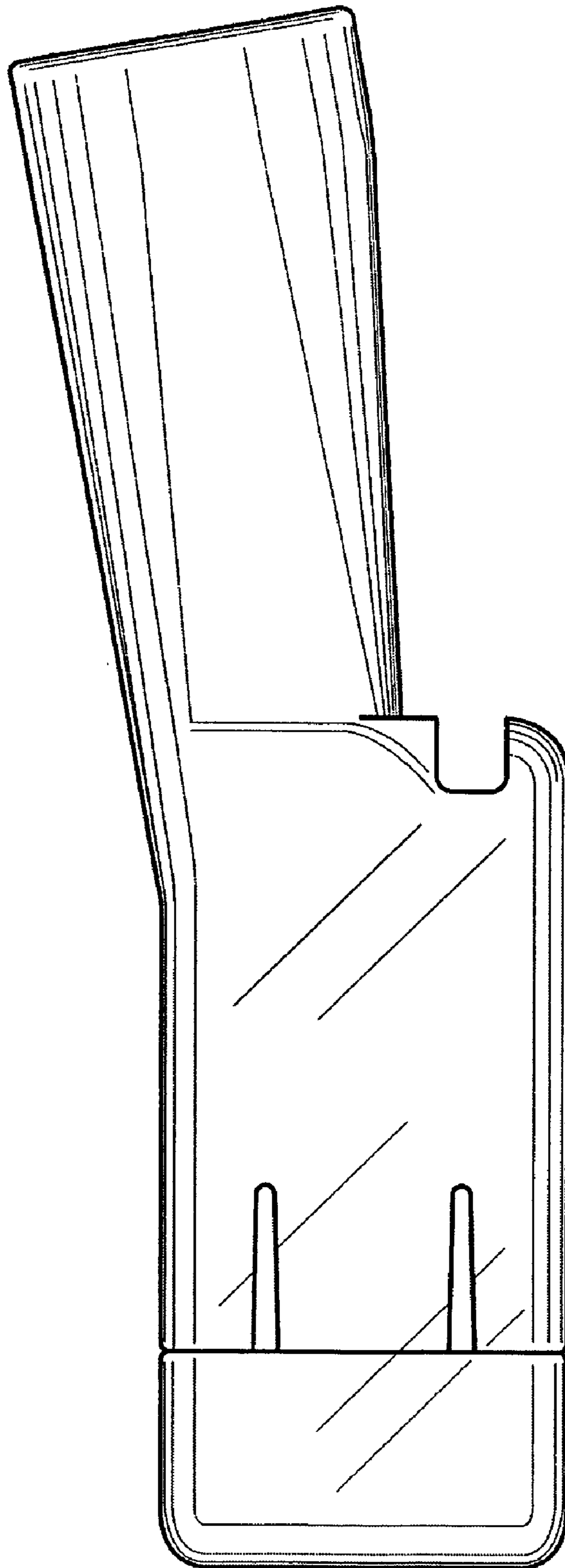


Figure 1

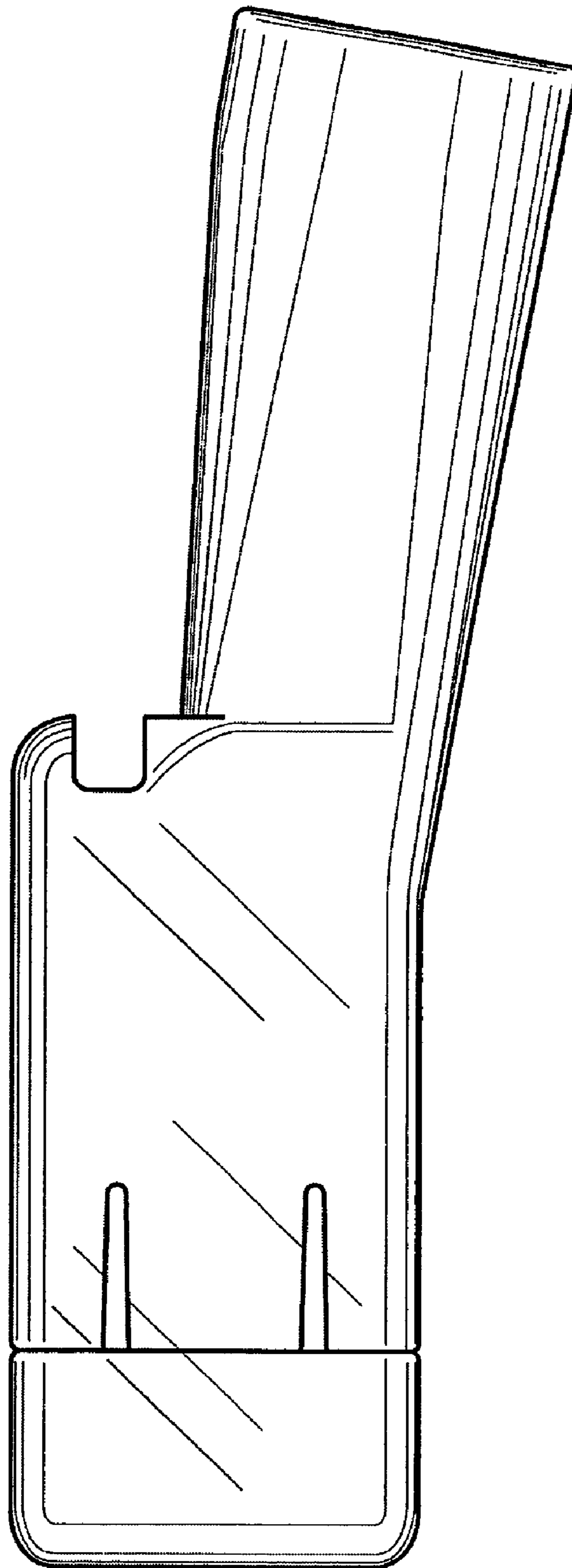


Figure 2

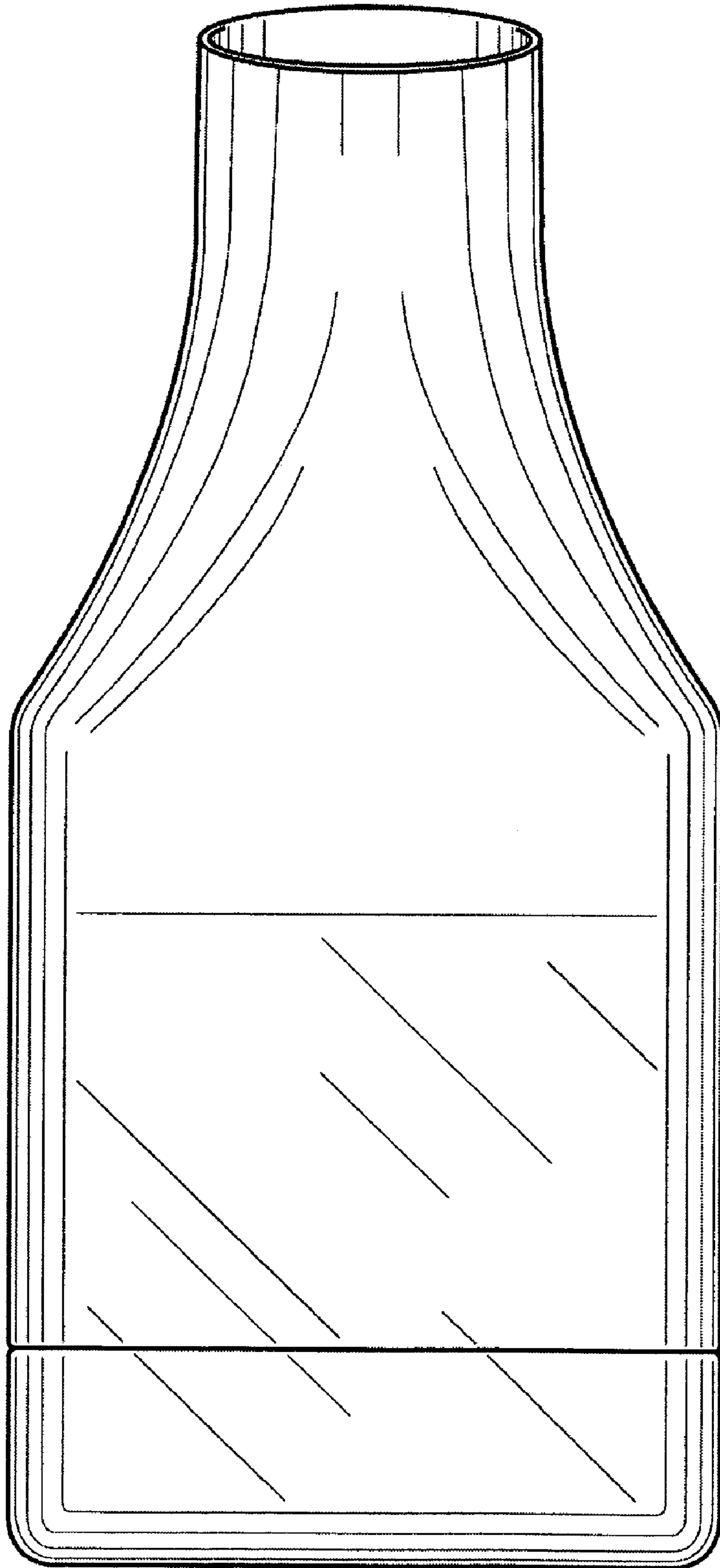


Figure 3

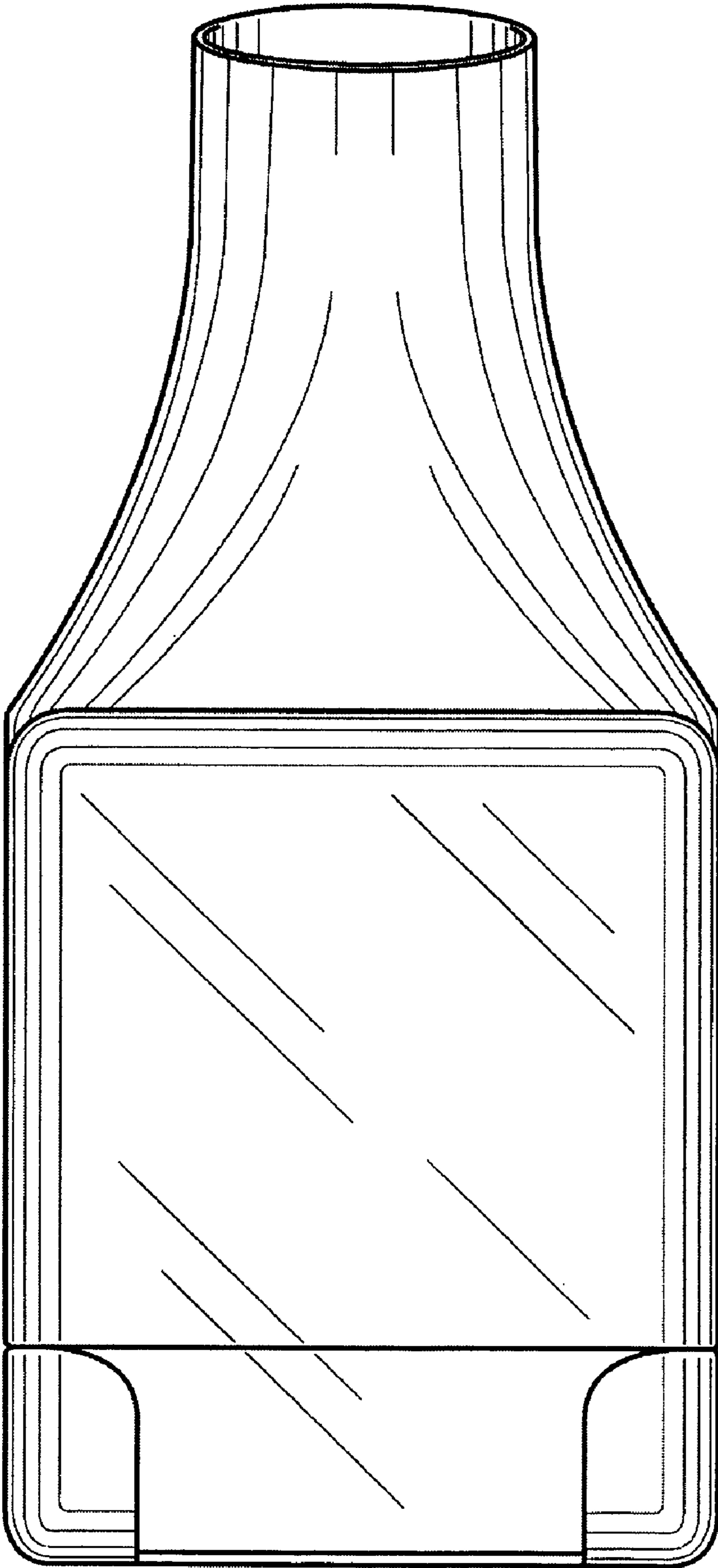


Figure 4

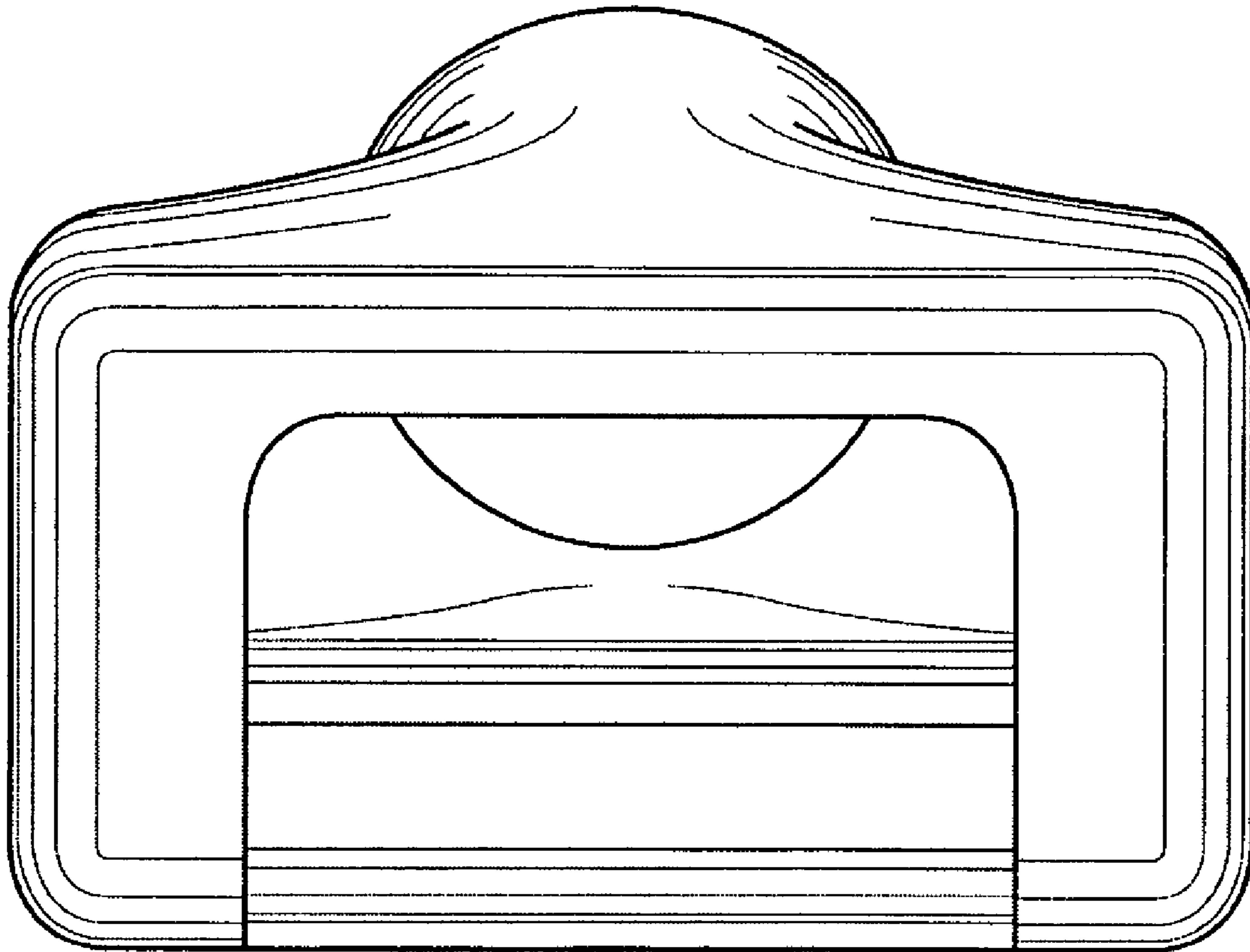


Figure 5

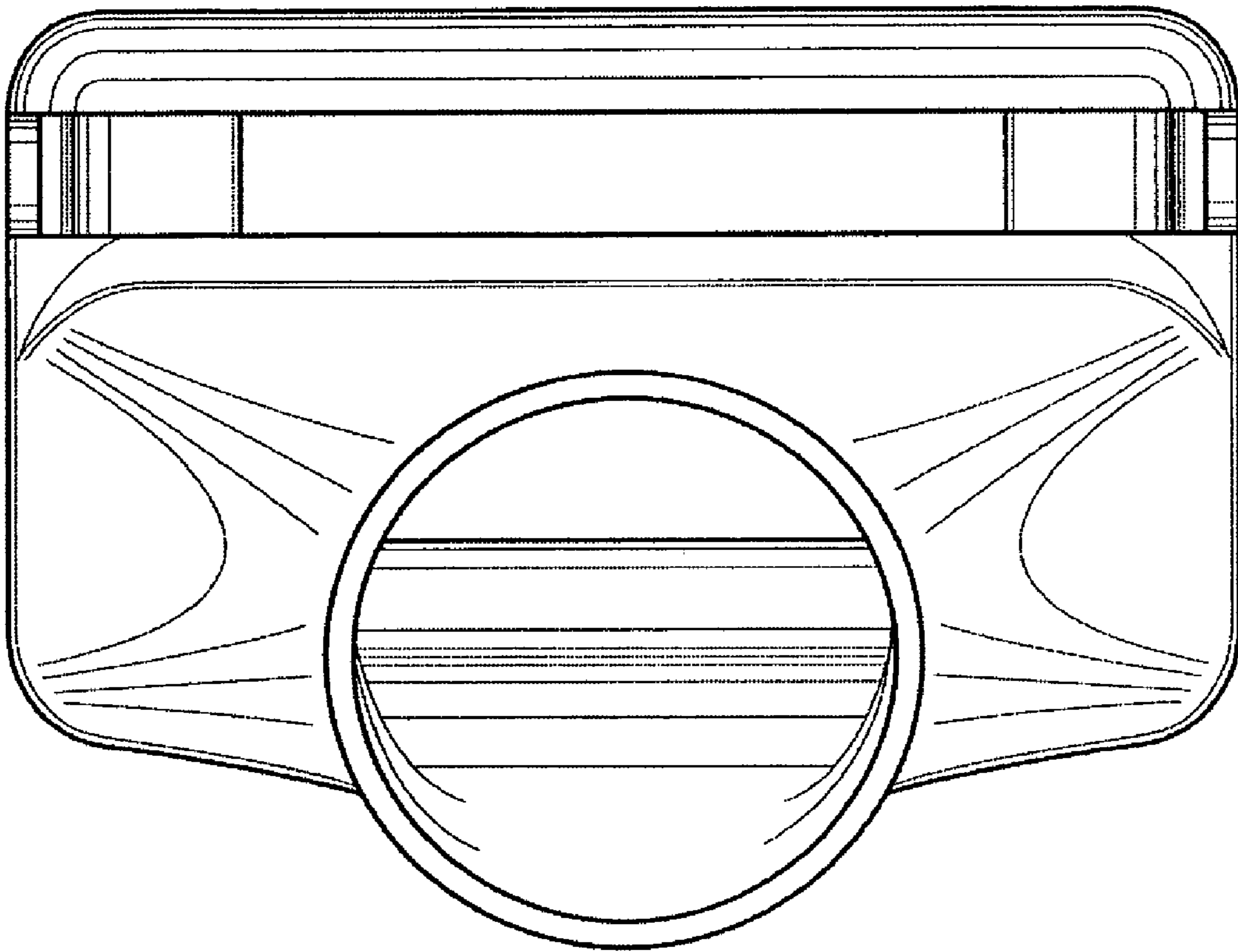


Figure 6

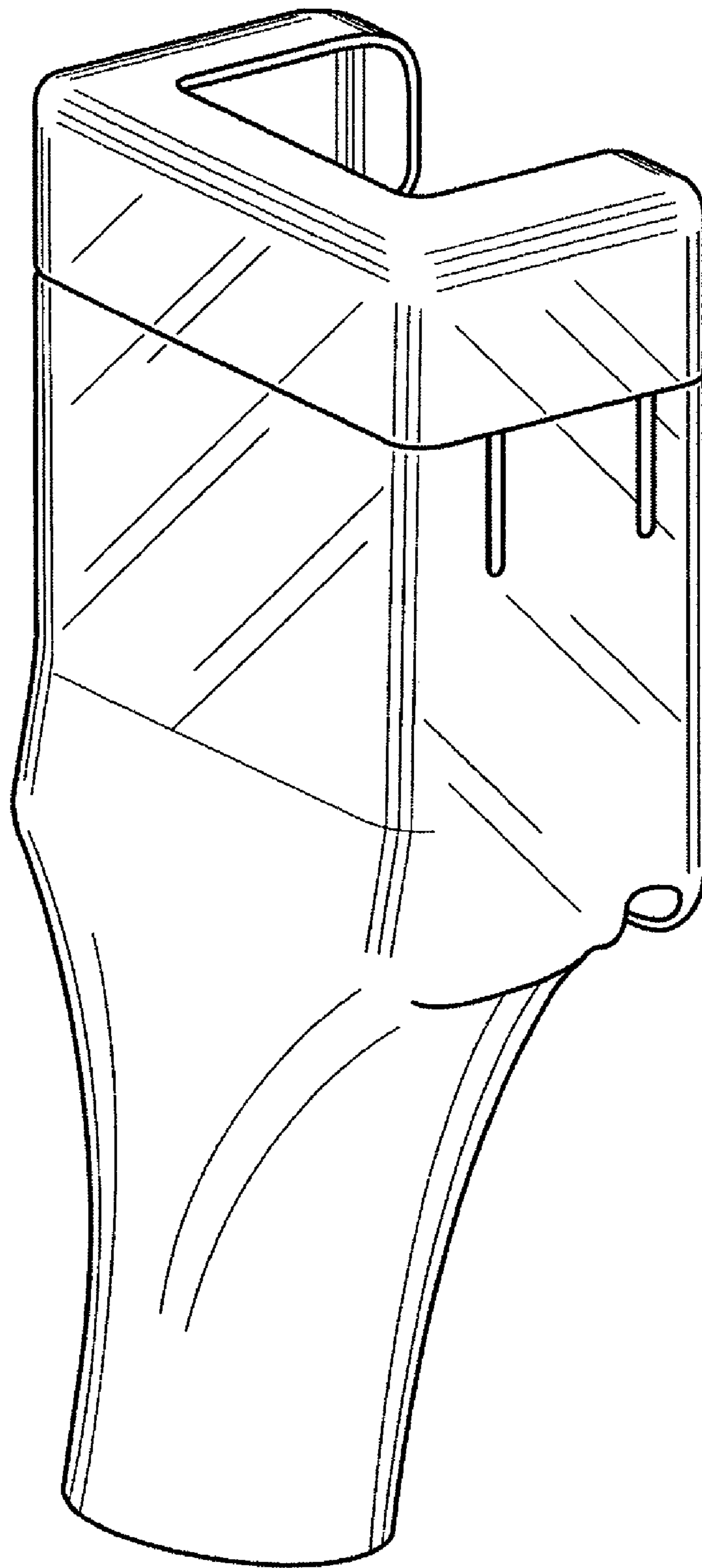


Figure 7



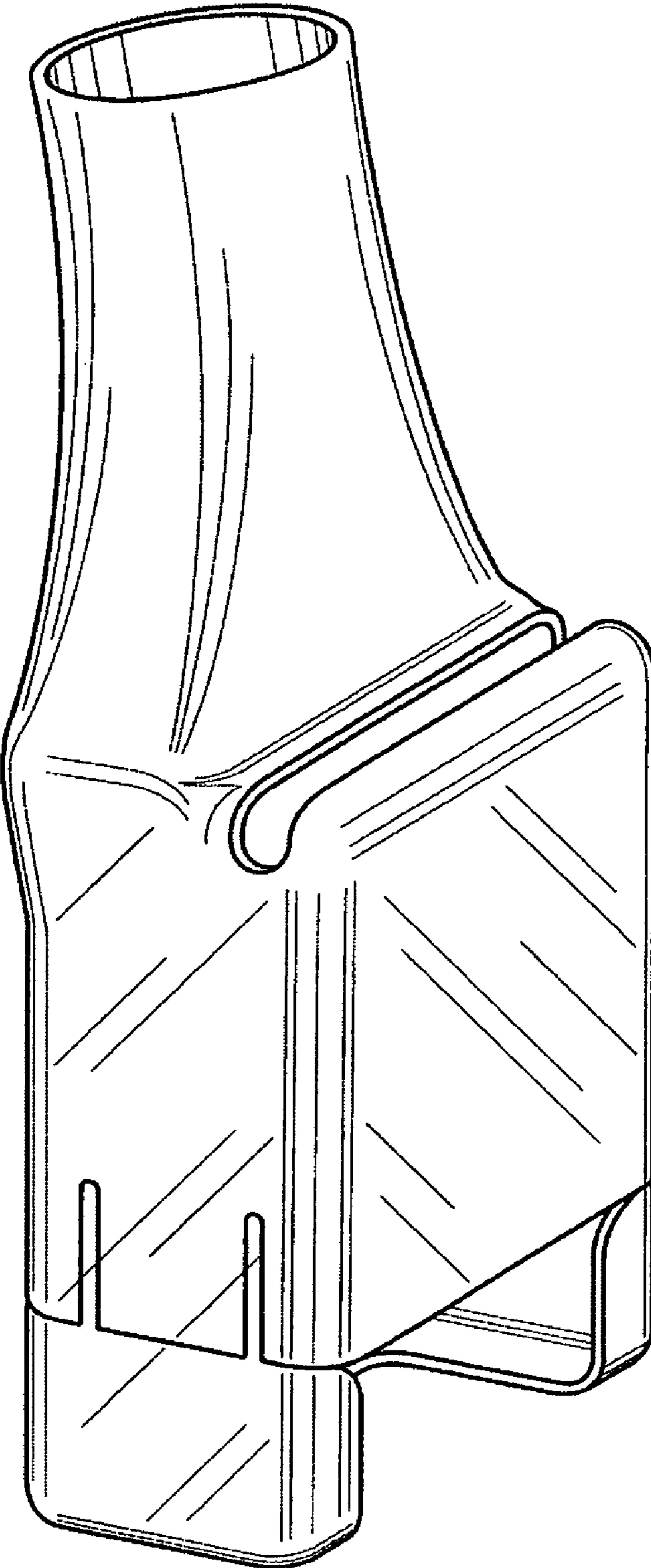


Figure 8