



US00D555527S

(12) **United States Design Patent**  
**LeSage**

(10) **Patent No.:** **US D555,527 S**

(45) **Date of Patent:** **\*\* Nov. 20, 2007**

(54) **CARBON MONOXIDE DETECTOR FOR  
AUTOMATICALLY OPENING GARAGE  
DOORS**

5,955,031 A 9/1999 Kling, Jr.  
6,110,038 A 8/2000 Stern  
D431,487 S 10/2000 Rienks

(76) Inventor: **Joseph D. LeSage**, 504 Nashua St.,  
Apt. 608, Milford, NH (US)  
03055-4755

\* cited by examiner

*Primary Examiner*—Antoine D. Davis  
(74) *Attorney, Agent, or Firm*—Mark Crossley; Crossley  
Patent Law

(\*\*) Term: **14 Years**

(21) Appl. No.: **29/266,549**

(57) **CLAIM**

(22) Filed: **Sep. 25, 2006**

The ornamental design for a carbon monoxide detector for  
automatically opening garage doors, as shown and  
described.

(51) **LOC (8) Cl.** ..... **10-04**

(52) **U.S. Cl.** ..... **D10/81**

(58) **Field of Classification Search** ..... D10/81;  
340/628, 629, 630, 632, 633, 634, 527; 454/239,  
454/256, 343

See application file for complete search history.

**DESCRIPTION**

FIG. 1 is a front elevation view of a carbon monoxide  
detector for automatically opening garage doors showing my  
new design;

FIG. 2 is a rear elevation view;

FIG. 3 is a right elevation view;

FIG. 4 is a left elevation view;

FIG. 5 is a top plan view;

FIG. 6 is a bottom plan view; and,

FIG. 7 is an isometric view of a carbon monoxide detector  
for automatically opening garage doors showing my new  
design.

(56) **References Cited**

**U.S. PATENT DOCUMENTS**

3,460,125	A *	8/1969	Lai et al.	.....	340/632
4,197,675	A	4/1980	Kelly		
4,338,526	A	7/1982	Martin et al.		
4,365,250	A	12/1982	Matsuoka et al.		
4,462,246	A *	7/1984	Advani et al.	.....	340/632
D308,646	S *	6/1990	Grilk	.....	D10/81
5,214,412	A *	5/1993	Gavlak et al.	.....	340/632
D369,566	S *	5/1996	Poon	.....	D10/81

**1 Claim, 4 Drawing Sheets**

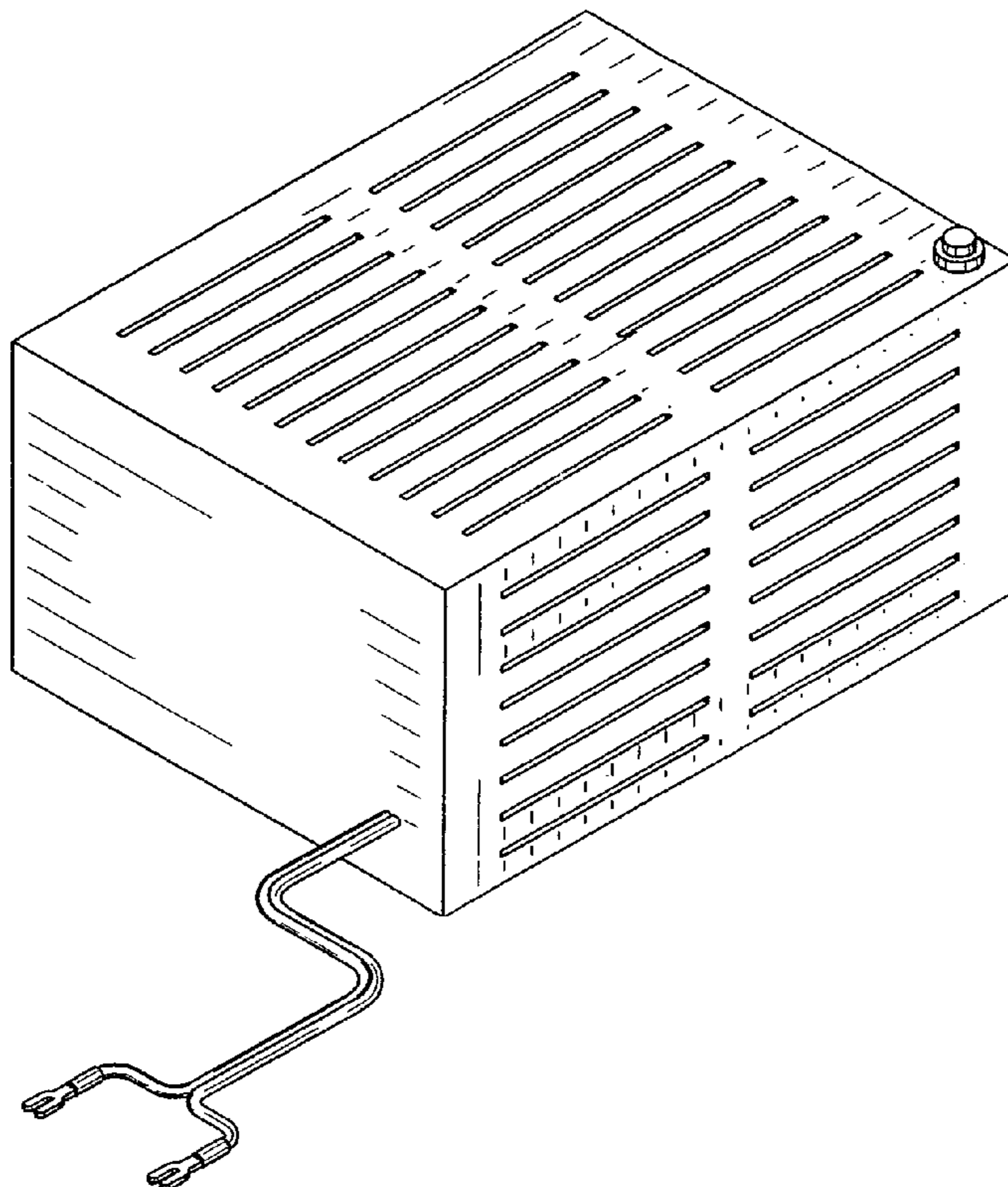


FIG. 1

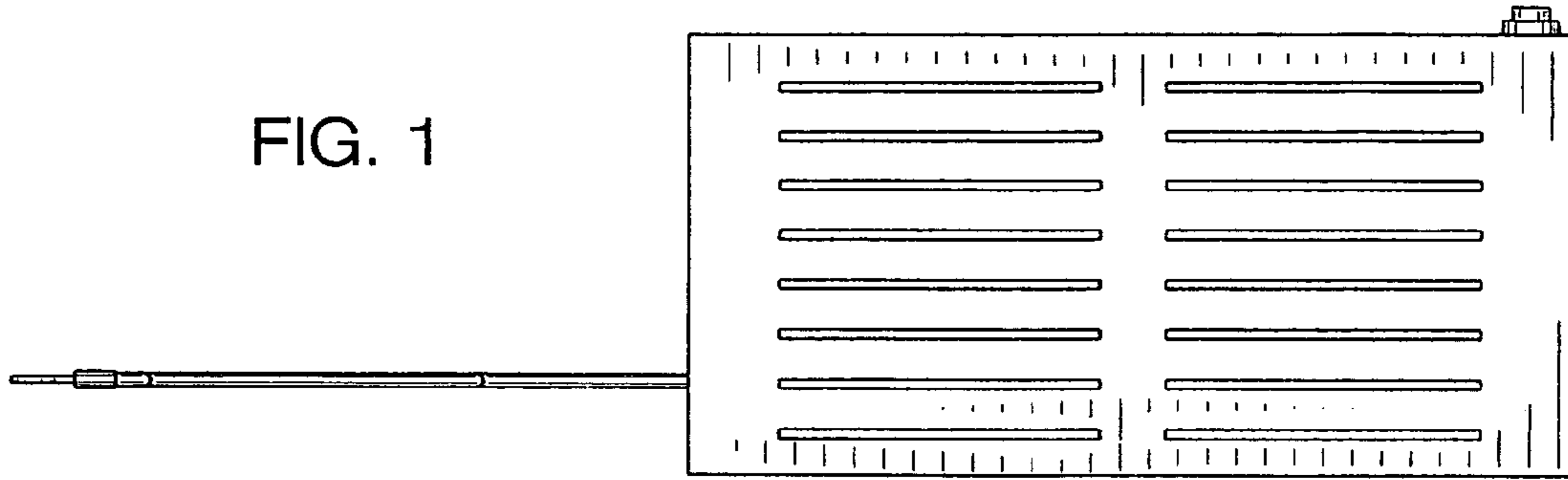
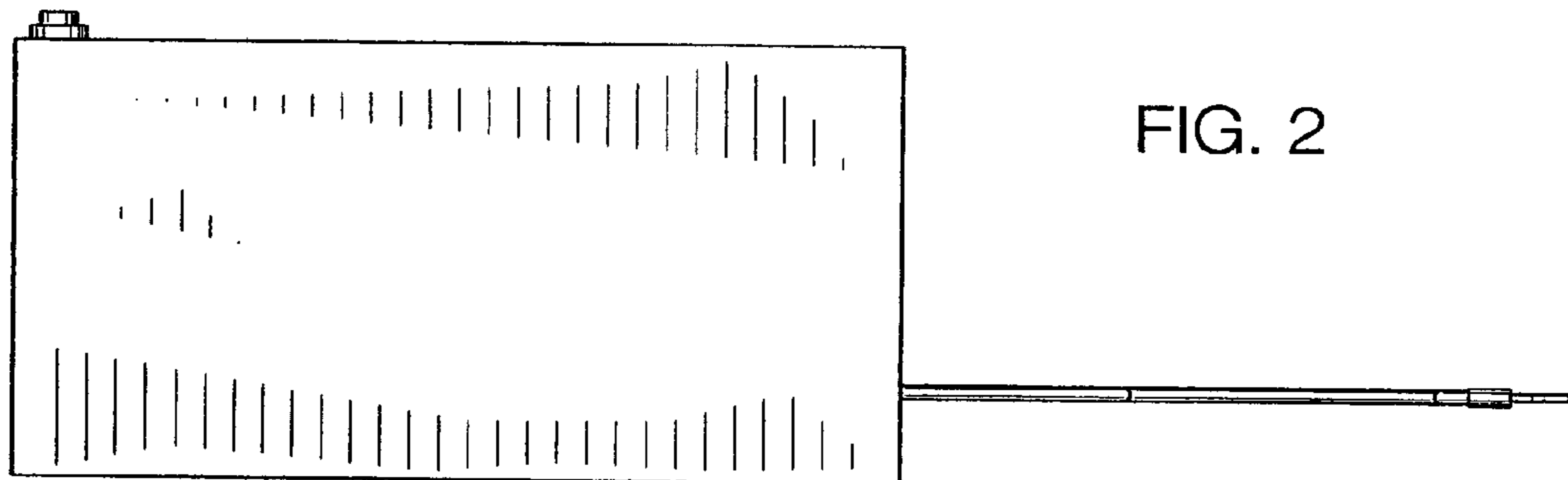
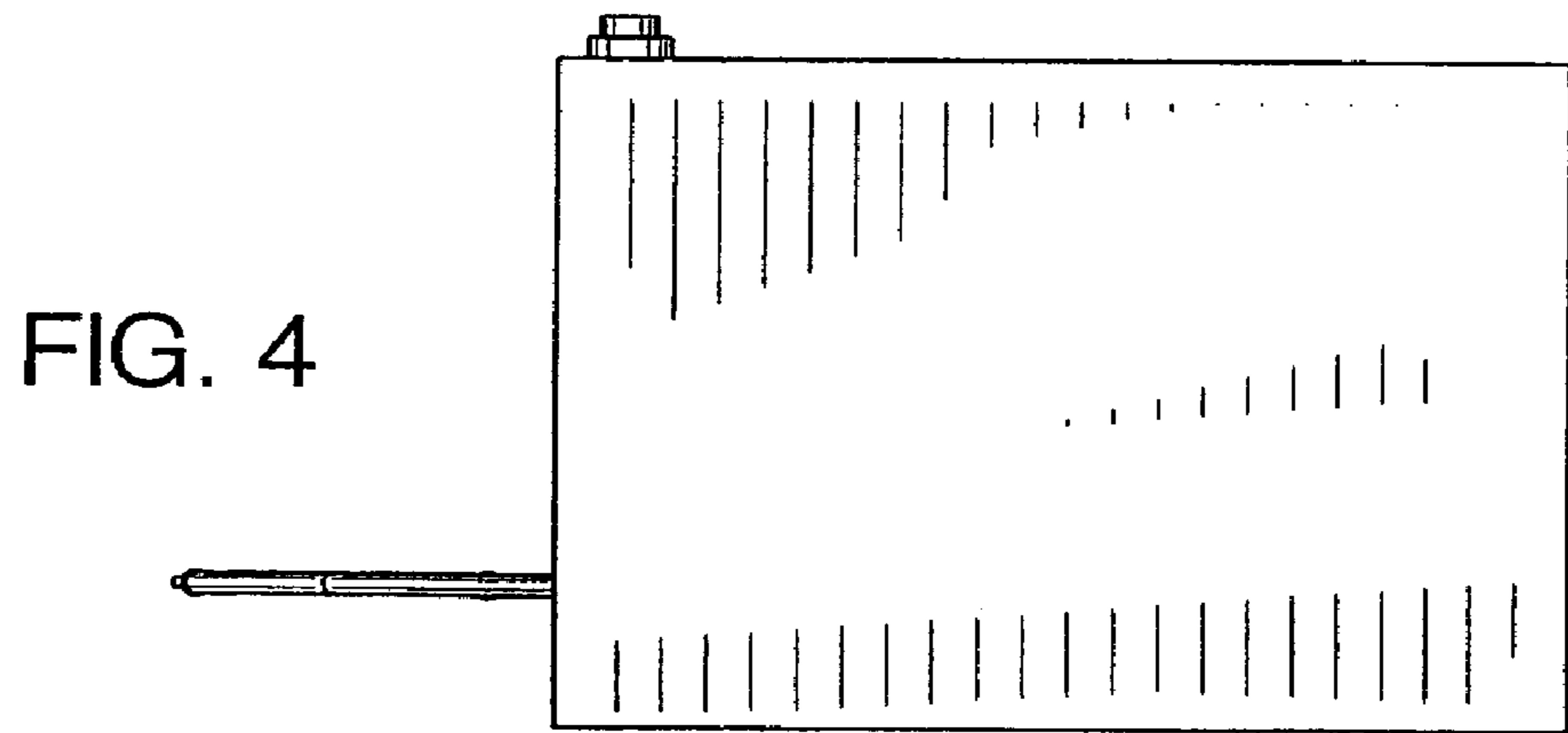
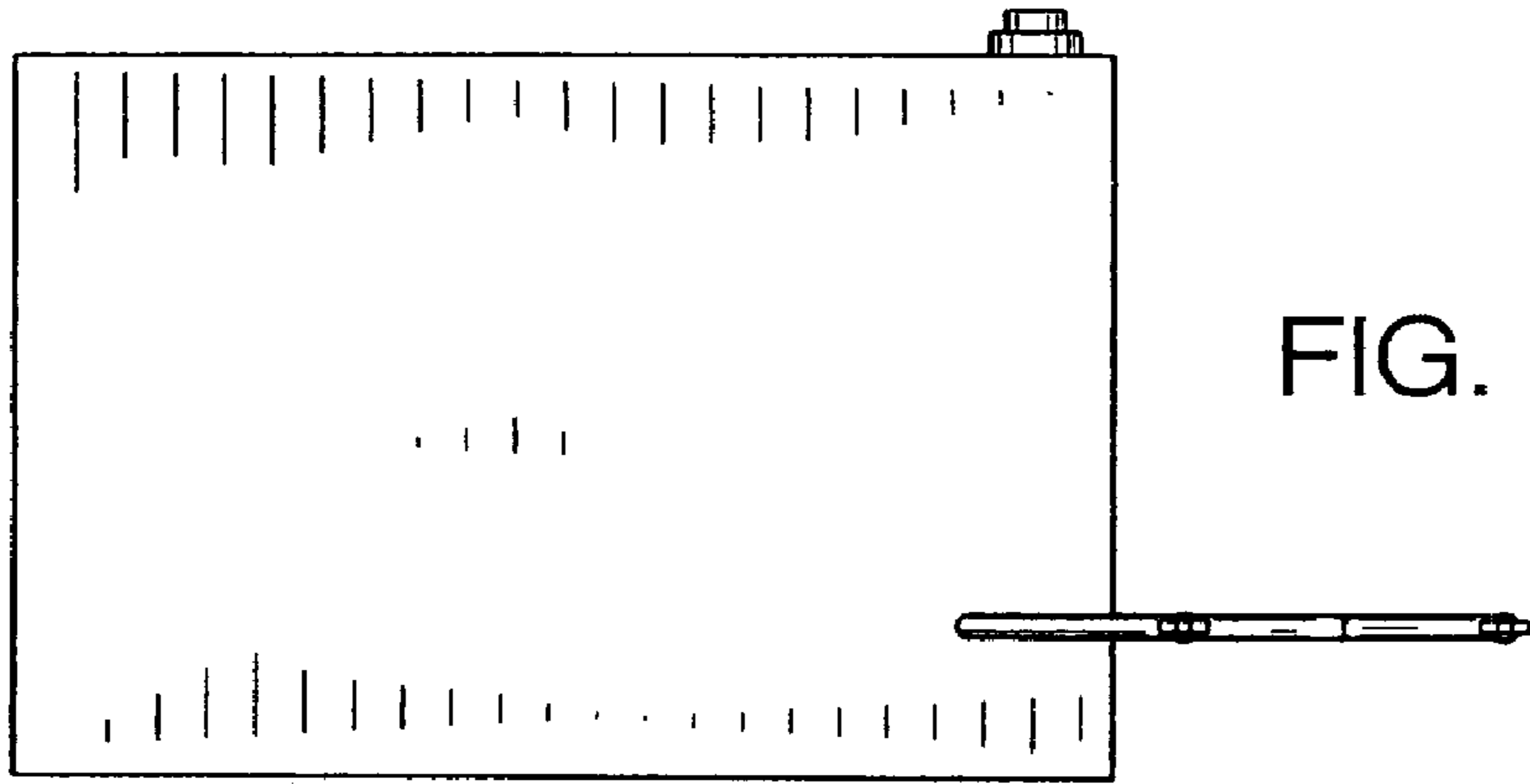
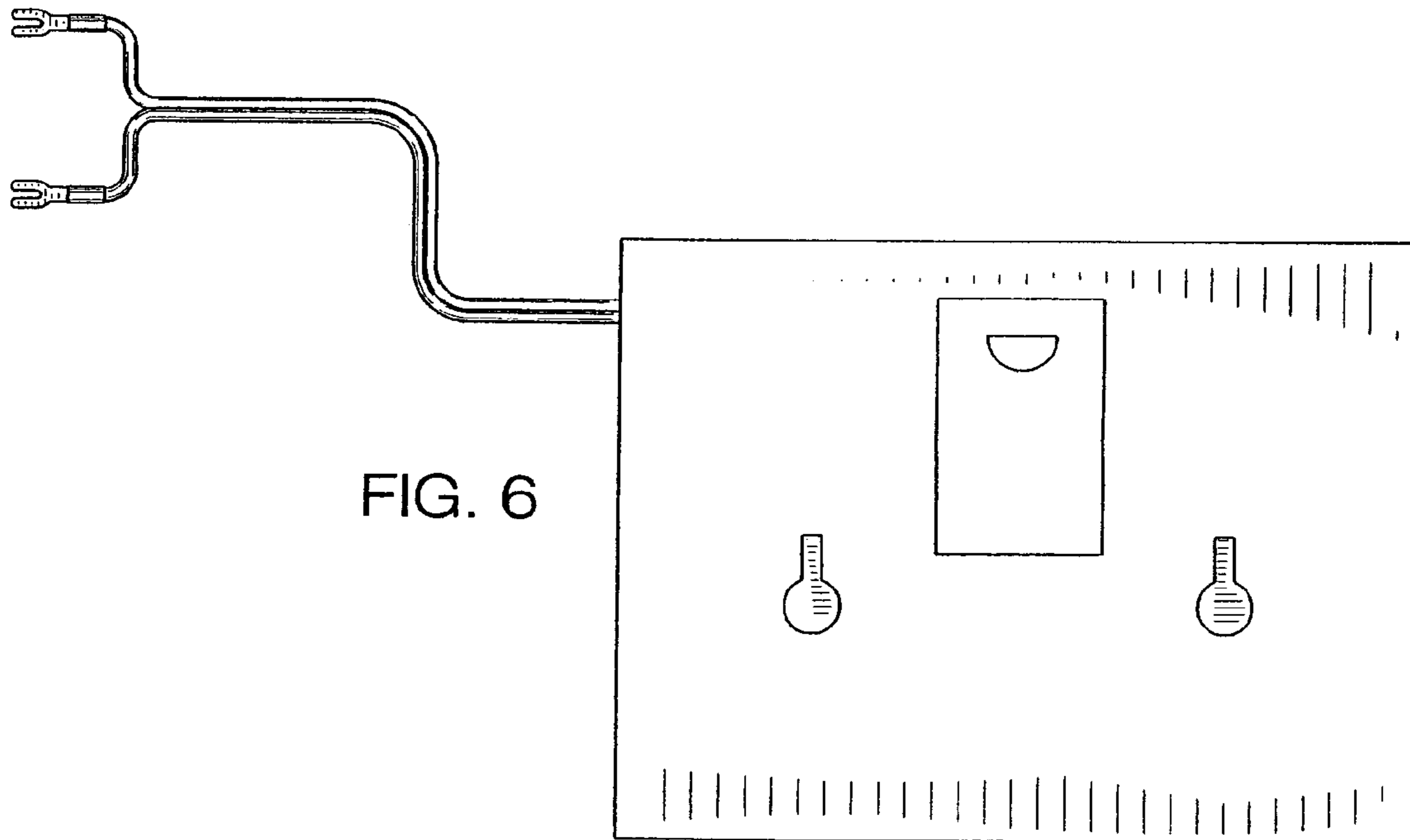
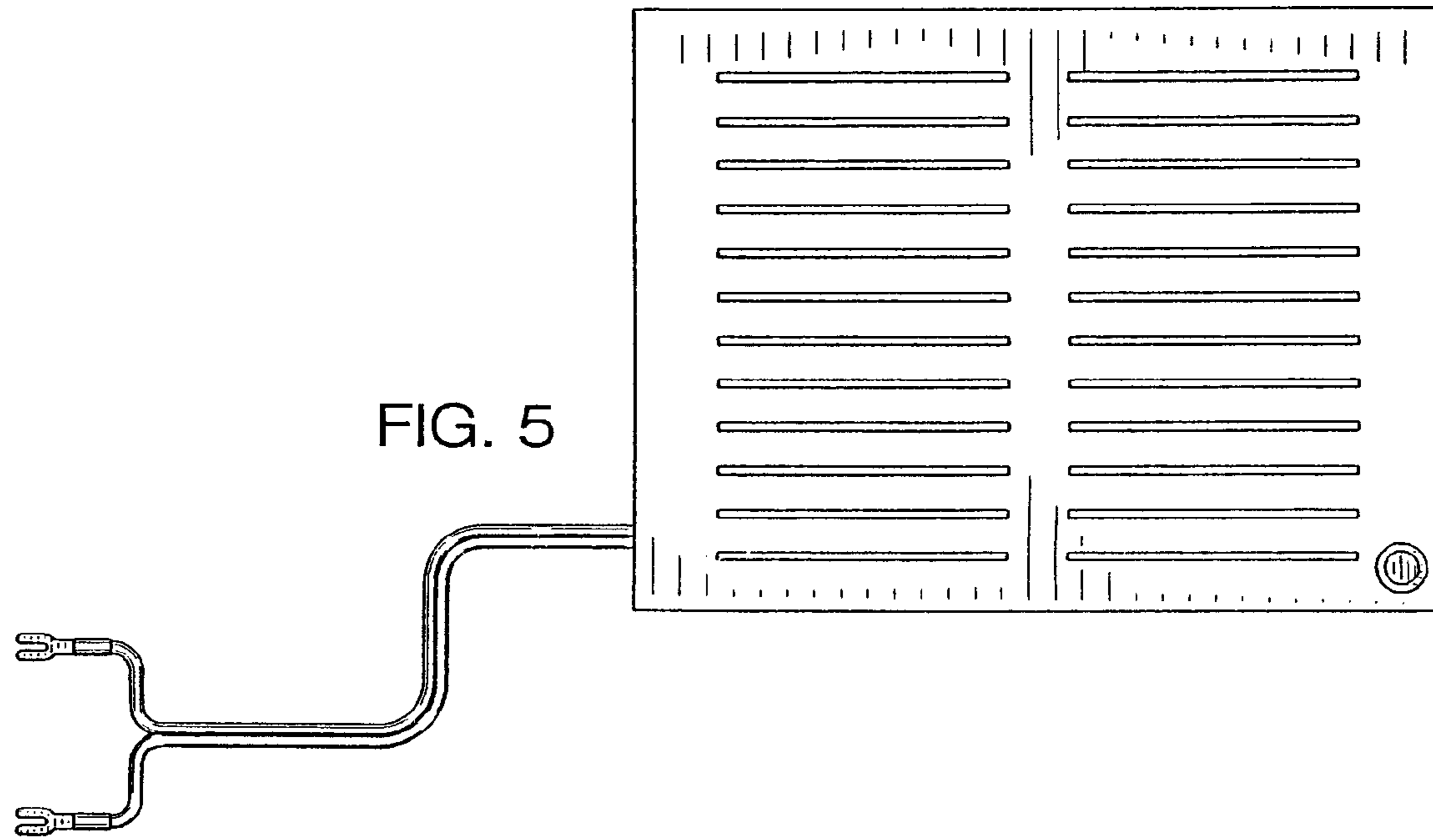


FIG. 2







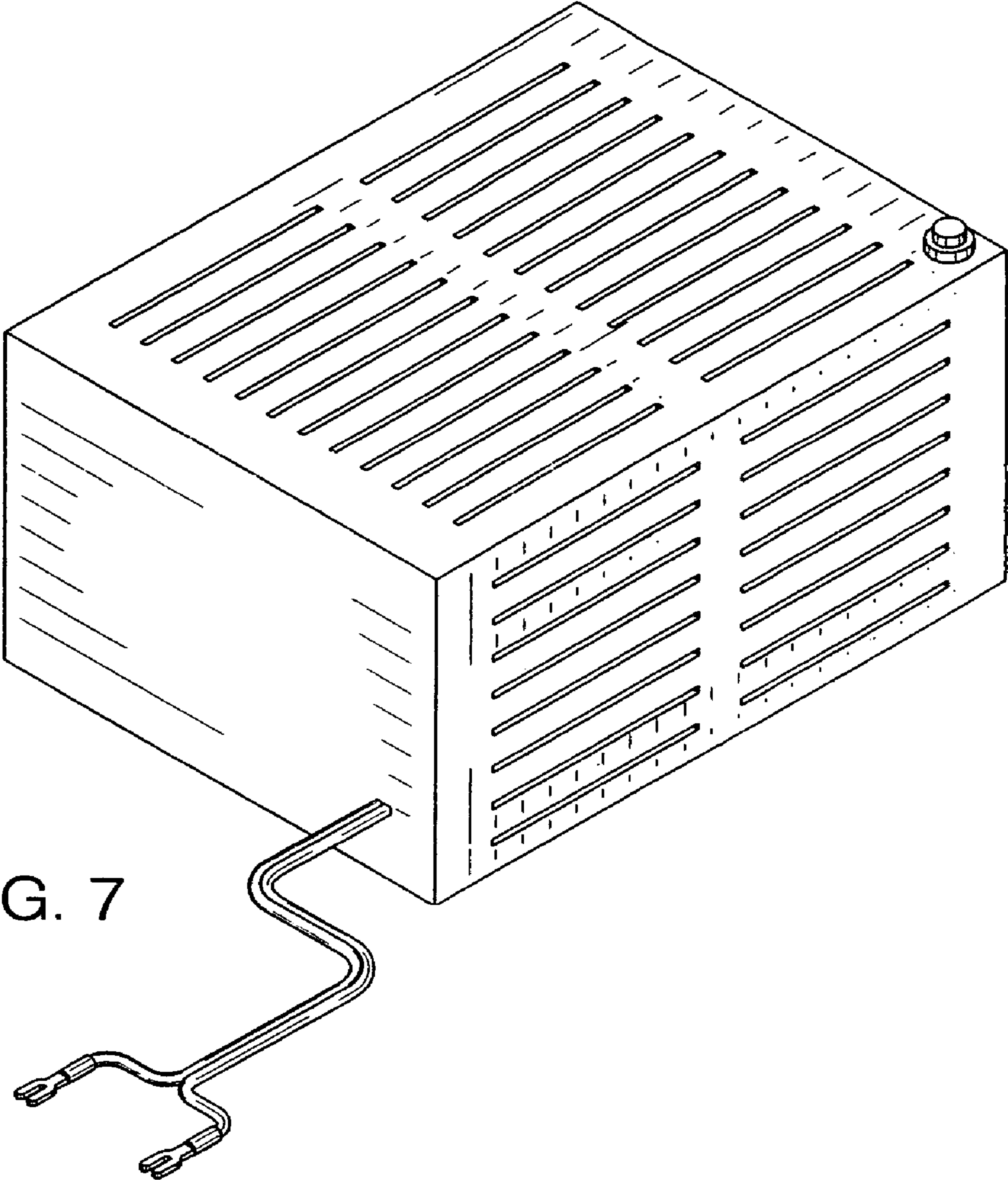


FIG. 7