



US00D555526S

(12) **United States Design Patent**
Hildebrandt et al.

(10) **Patent No.:** **US D555,526 S**

(45) **Date of Patent:** **** Nov. 20, 2007**

(54) **CABINET BATH WITH ROUND WINDOW**

Primary Examiner—Antoine D. Davis

(74) *Attorney, Agent, or Firm*—Christopher John Rudy

(75) Inventors: **Marc J. Hildebrandt**, Midland, MI
(US); **Theodore W. Selby**, Midland, MI
(US)

(57) **CLAIM**

The ornamental design for a cabinet bath with round window, as shown and described.

(73) Assignee: **King Refrigeration, Inc.**, Midland, MI
(US)

DESCRIPTION

(**) Term: **14 Years**

FIG. 1 is a front, elevational view of a cabinet bath with round window showing our new design;

(21) Appl. No.: **29/244,056**

FIG. 2 is a top view whereof;

(22) Filed: **Dec. 2, 2005**

FIG. 3 is left hand side, elevational view whereof, the right hand side a mirror image thereof;

(51) **LOC (8) Cl.** **10-04**

FIG. 4 is a bottom view whereof; and

(52) **U.S. Cl.** **D10/81; D24/234**

(58) **Field of Classification Search** D10/81;
D24/216, 232–234; 422/56, 58, 61, 63–67,
422/68.1–83, 43, 46, 48, 100, 102, 104
See application file for complete search history.

FIG. 5 is a rear, elevational view whereof; and,

FIGS. 6–8 are elevational views of another embodiment of a cabinet bath with round window showing our new design, with FIG. 6 from the front, FIG. 7 from the rear, and FIG. 8 from the left hand side with the right hand side a mirror image thereof. Bottom and rear views correspond analogously to those of FIGS. 4 and 5.

(56) **References Cited**

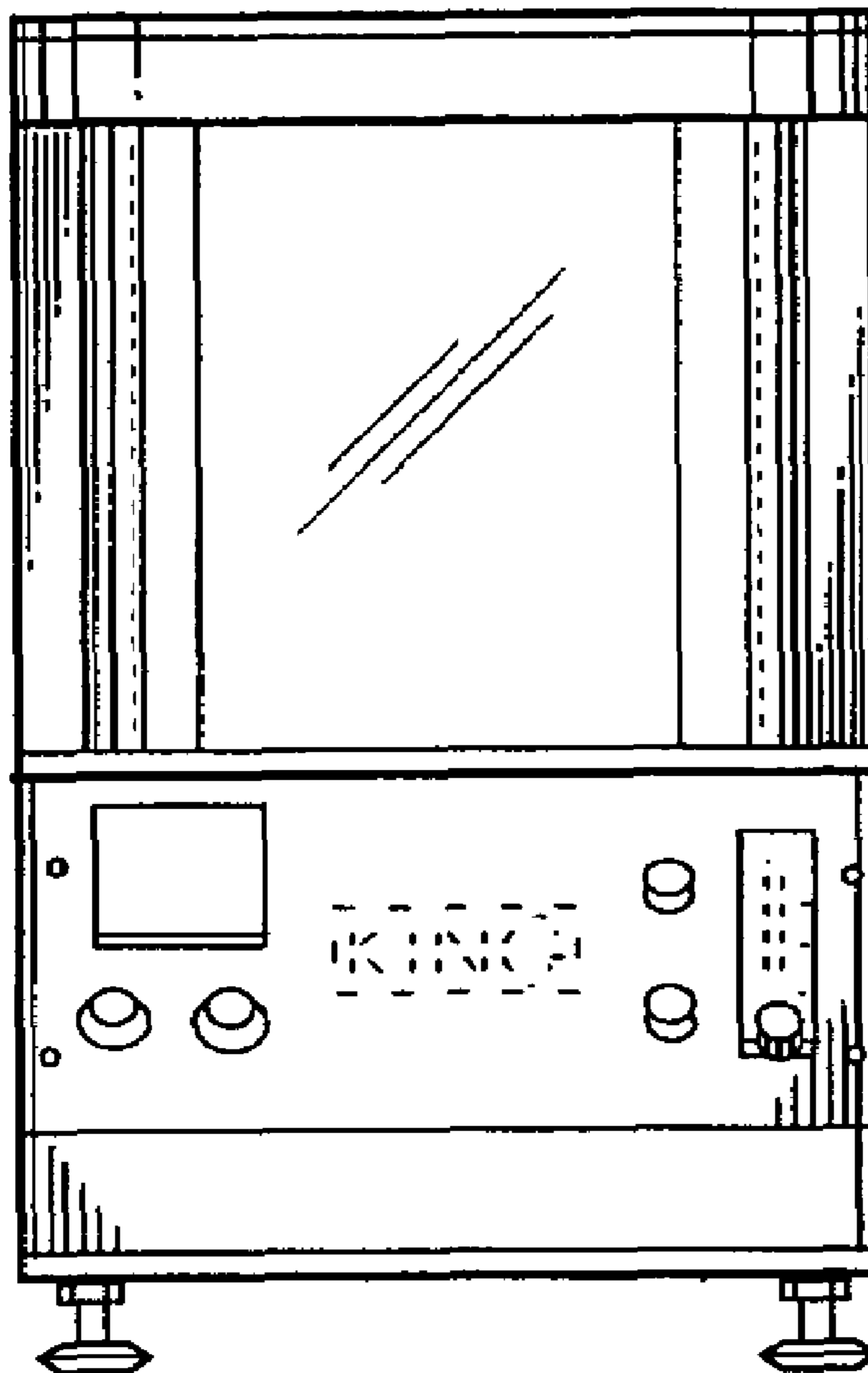
U.S. PATENT DOCUMENTS

D499,035 S * 11/2004 Cook et al. D10/81

Features shown in broken lines form no part of our design.

* cited by examiner

1 Claim, 2 Drawing Sheets



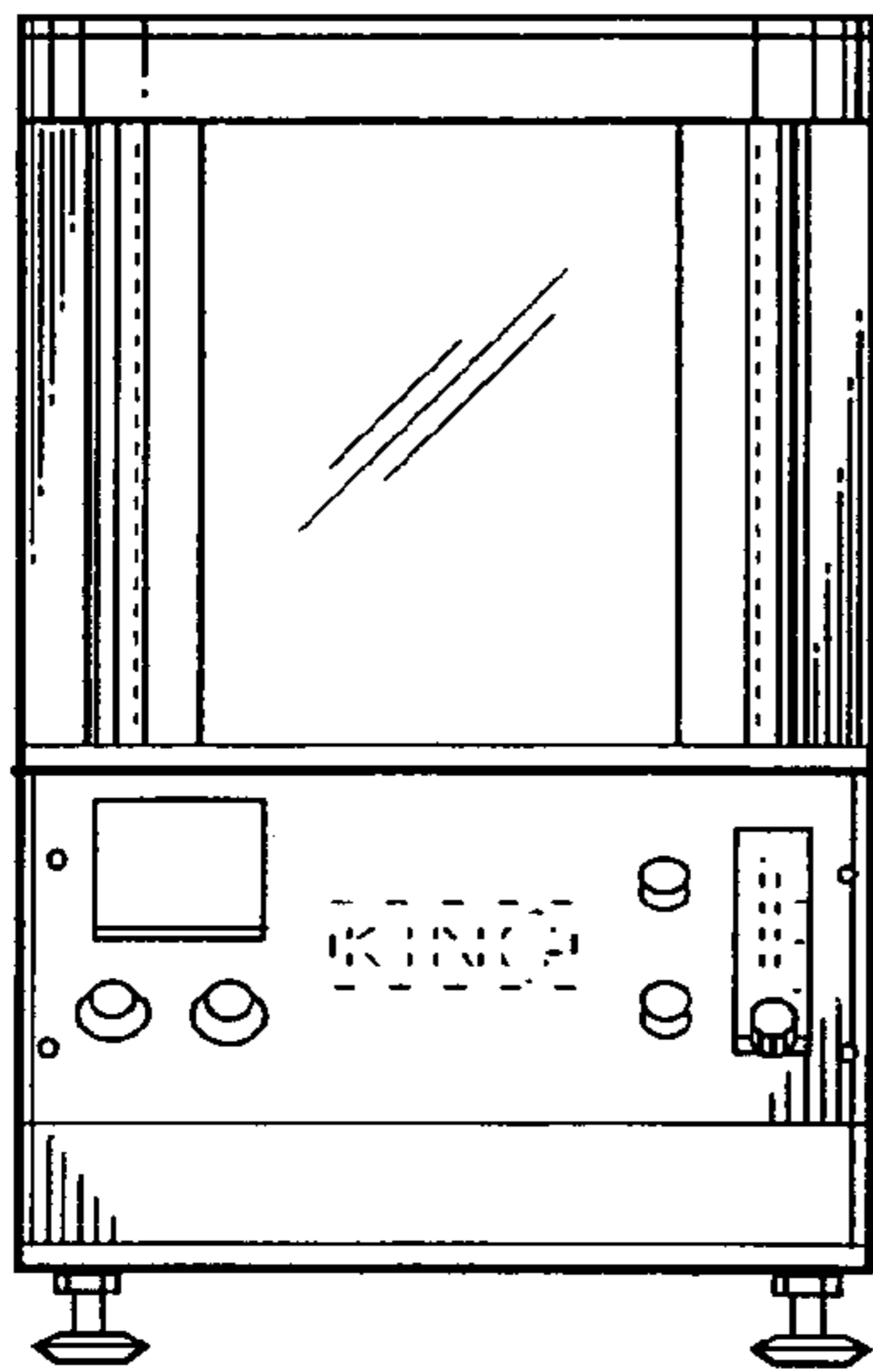


FIG. 1

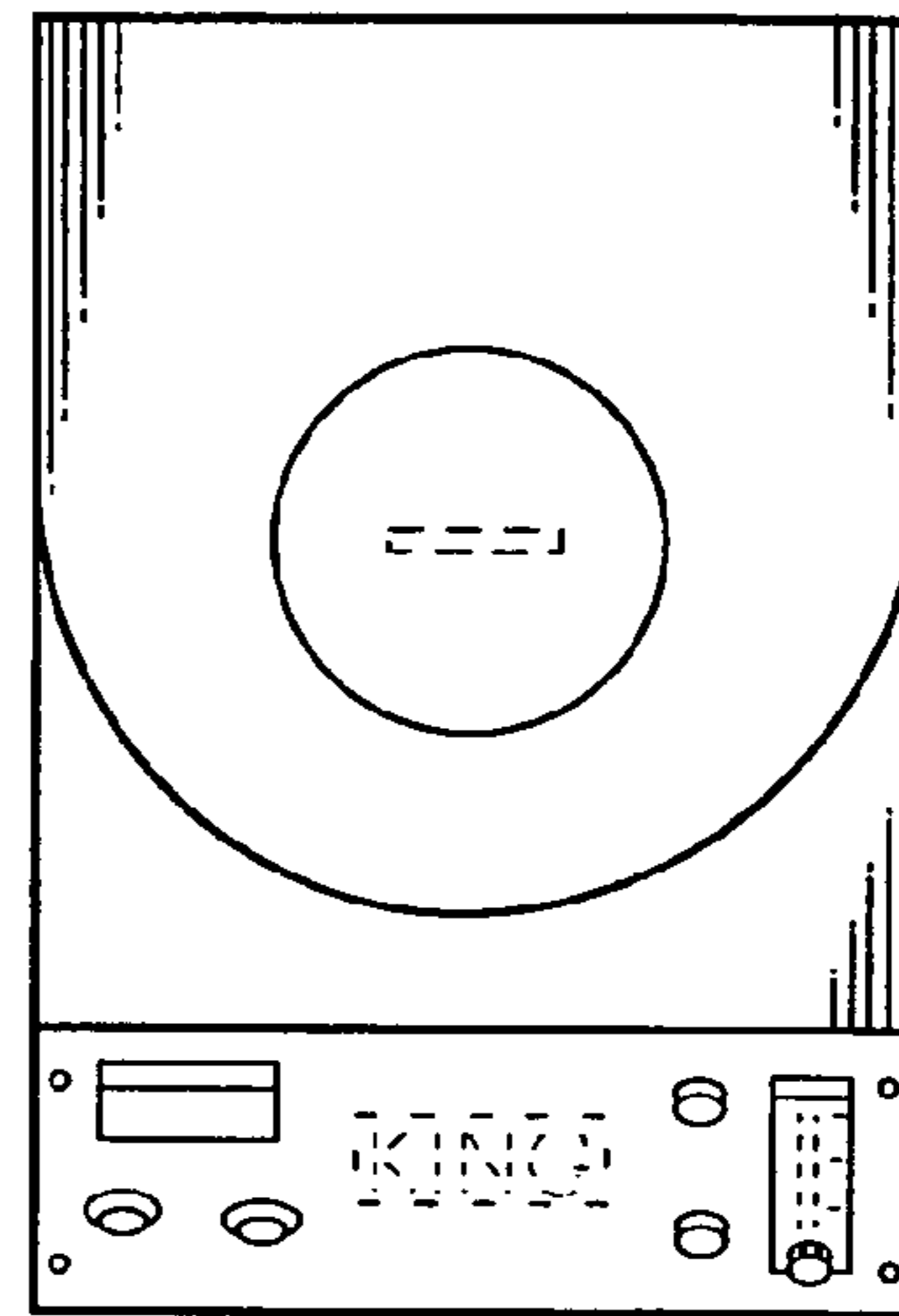


FIG. 2

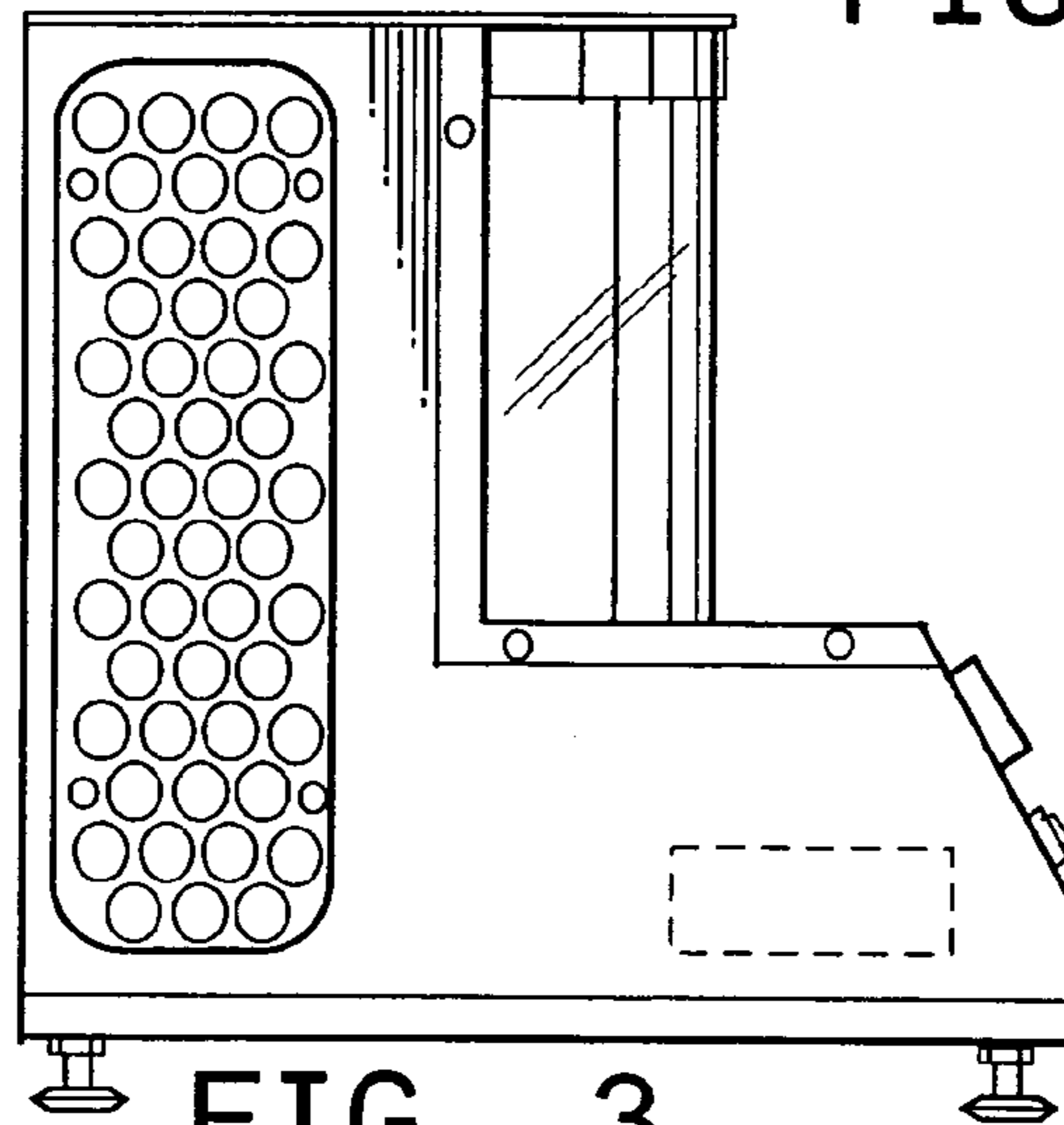


FIG. 3

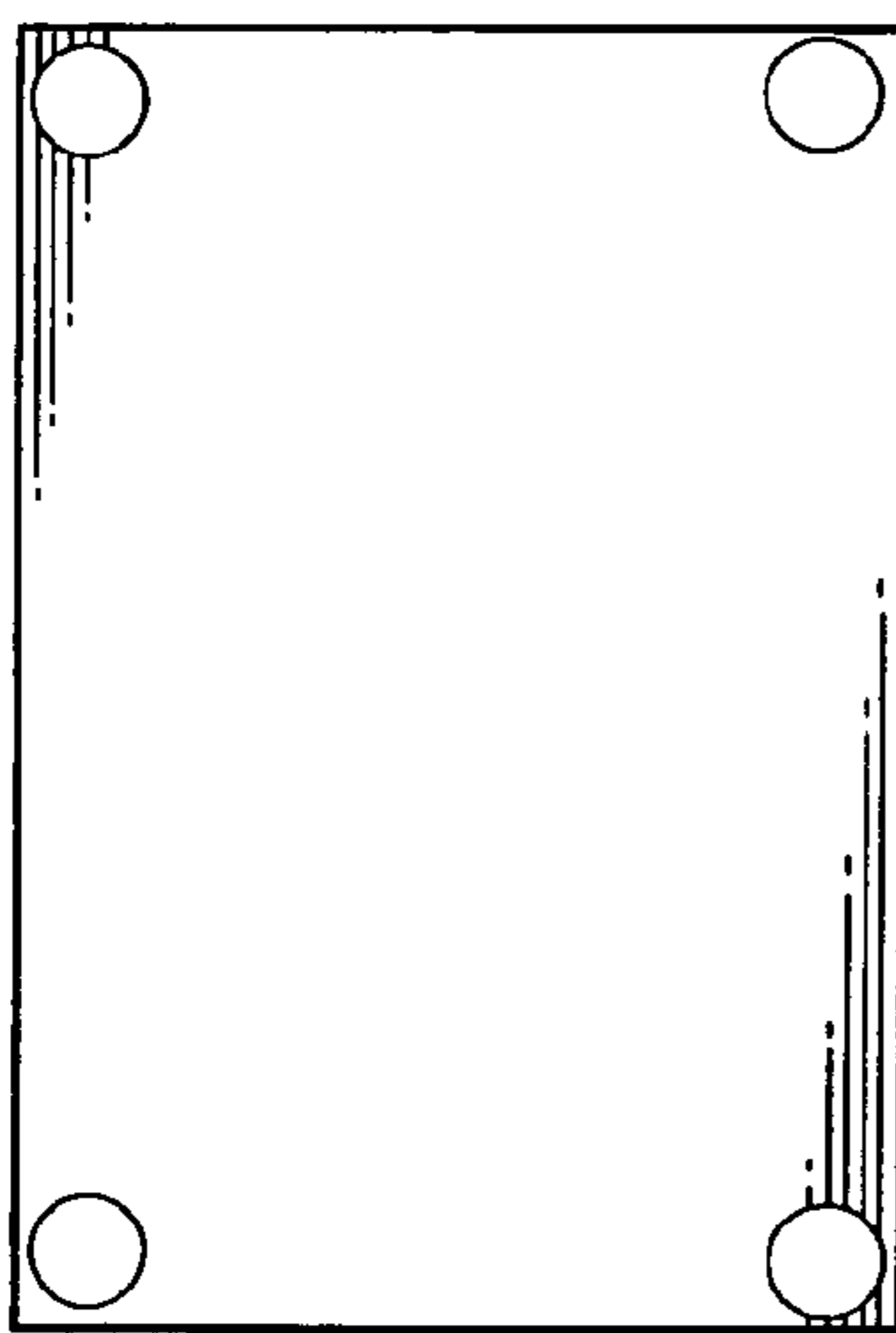


FIG. 4

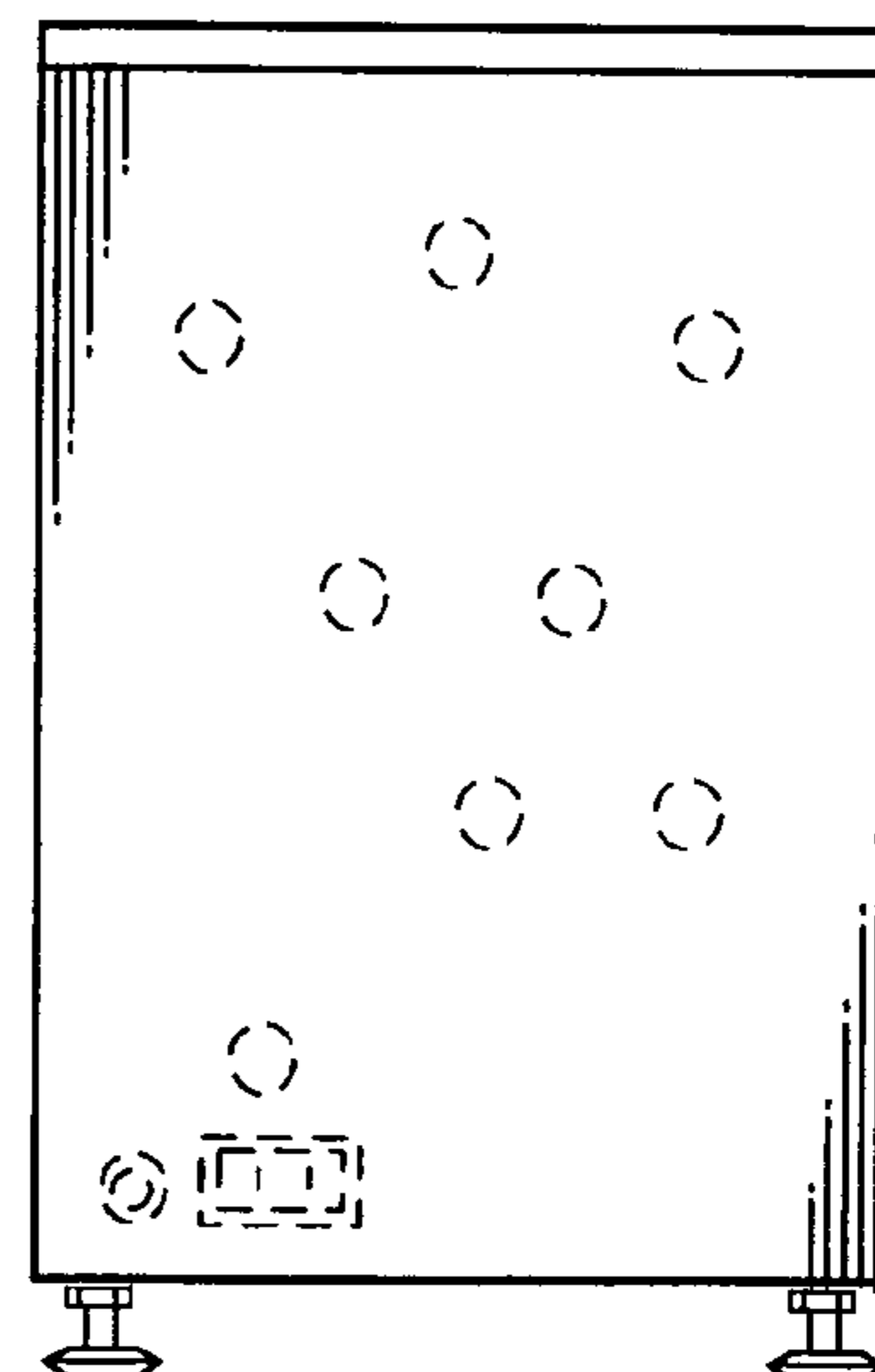


FIG. 5

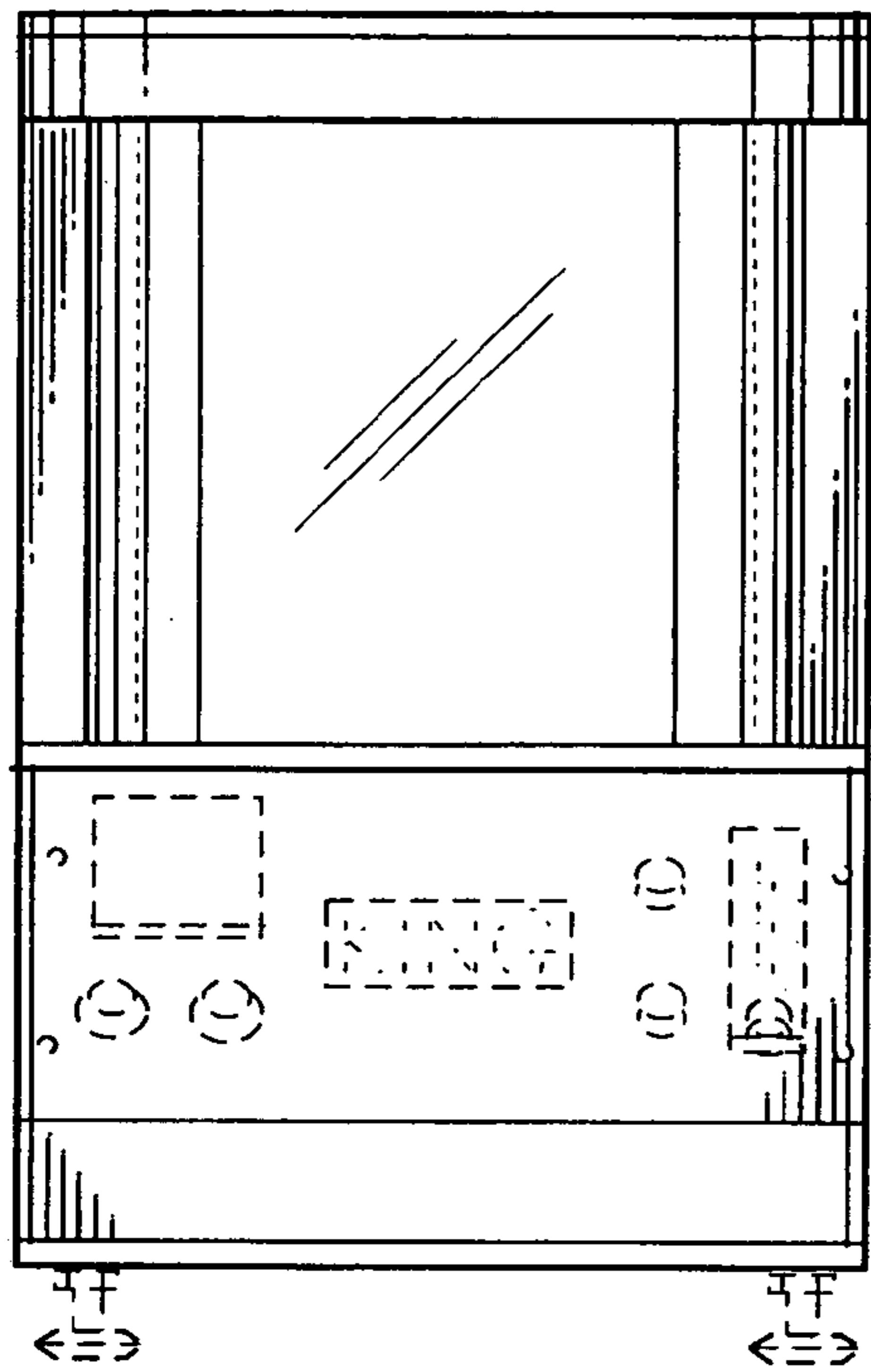


FIG. 6

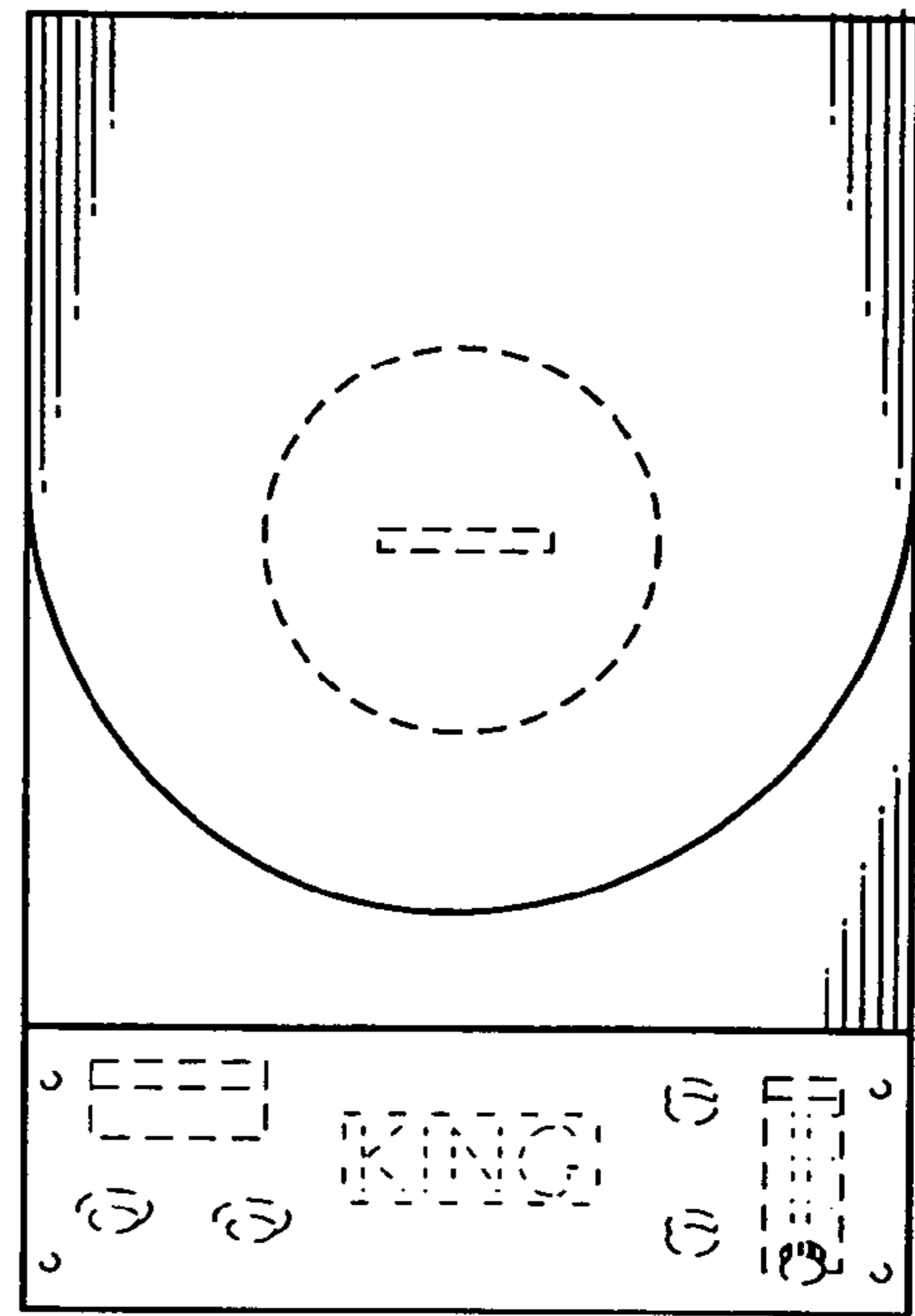


FIG. 7

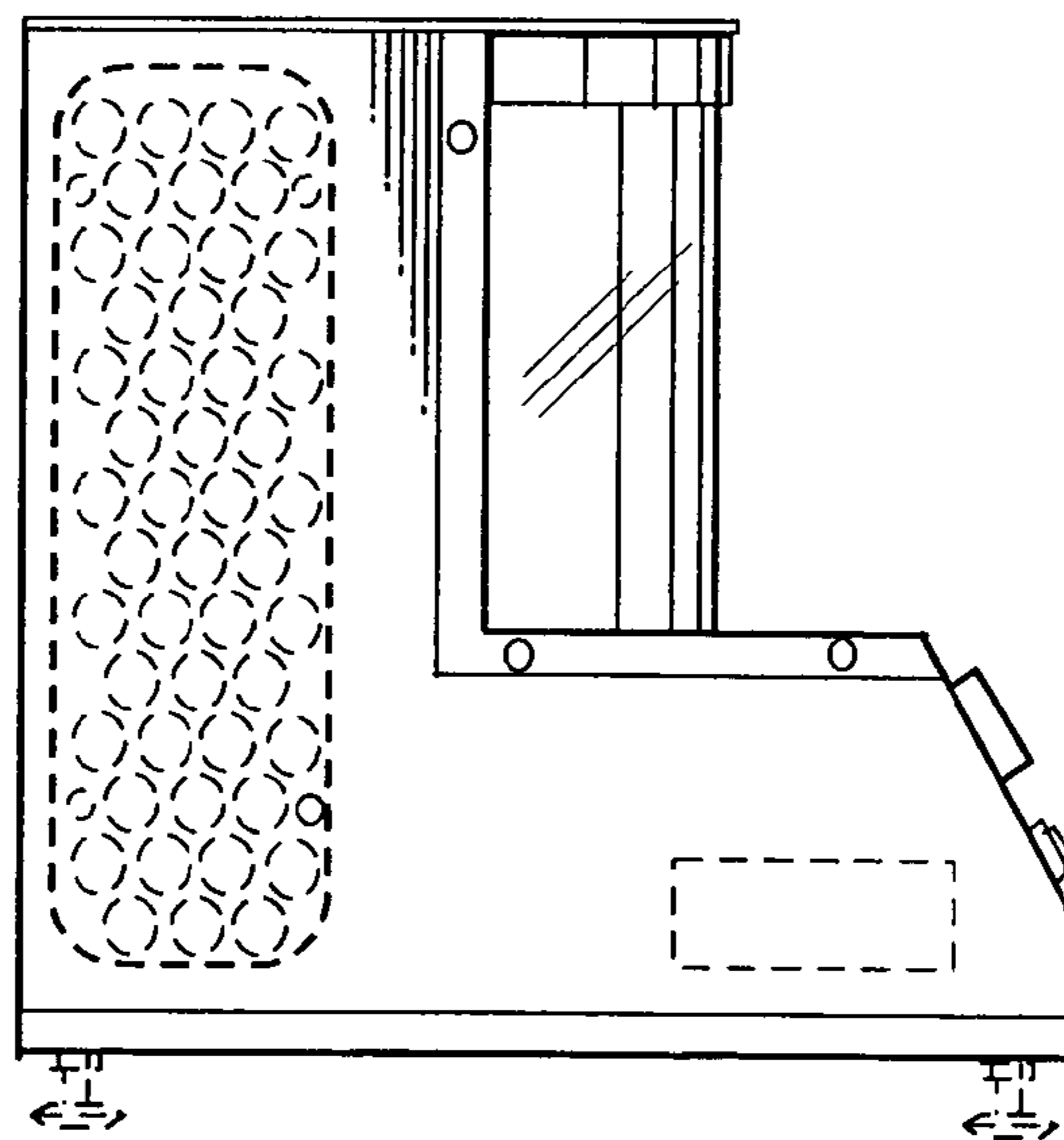


FIG. 8