



US00D55525S

(12) **United States Design Patent**  
**Chong et al.**

(10) **Patent No.:** **US D555,525 S**

(45) **Date of Patent:** **\*\* Nov. 20, 2007**

(54) **TEST INSTRUMENT**

(75) Inventors: **Seng Chuen Chong**, Penang (MY);  
**Soo Keat Lim**, Penang (MY); **Carol Geok Chooi Leh**, Penang (MY)

(73) Assignee: **Agilent Technologies, Inc.**, Palo Alto, CA (US)

(\*\*) Term: **14 Years**

(21) Appl. No.: **29/265,161**

(22) Filed: **Aug. 26, 2006**

(51) **LOC (8) Cl.** ..... **10-04**

(52) **U.S. Cl.** ..... **D10/78**

(58) **Field of Classification Search** ..... D10/78,  
D10/79; 200/336; 324/72.5, 110, 114, 115,  
324/149, 151 A, 151 R, 156, 158 F; 340/653,  
340/660; 439/482

See application file for complete search history.

(56) **References Cited**

**U.S. PATENT DOCUMENTS**

- 5,442,337 A \* 8/1995 Hwang ..... 324/110
- D361,949 S \* 9/1995 Kim ..... D10/78
- D365,031 S \* 12/1995 Kim ..... D10/78
- D385,808 S \* 11/1997 Kim ..... D10/78
- D446,137 S \* 8/2001 Chang ..... D10/78
- D446,463 S \* 8/2001 Chang ..... D10/78
- D446,735 S \* 8/2001 McCain ..... D10/78

- D472,828 S \* 4/2003 Chang ..... D10/78
- 6,985,819 B2 \* 1/2006 Lipscomb et al. .... 324/115
- D515,952 S \* 2/2006 Chang ..... D10/78

\* cited by examiner

*Primary Examiner*—Antoine D. Davis

(74) *Attorney, Agent, or Firm*—Marc Bobys

(57) **CLAIM**

The ornamental design for a test instrument, as shown and described.

**DESCRIPTION**

The present application is related to and claims priority from U.S. Utility patent application Ser. No. 11/460,999 and filed on Jul. 31, 2006 and U.S. Utility application Ser. No. 11/481,189 filed on Jul. 5, 2006.

FIG. 1 is a front-view of a test instrument of the present disclosure;

FIG. 2 is a rear-view of a housing of the test instrument;

FIG. 3 is an end-view of the test instrument;

FIG. 4 is another end-view of the test instrument;

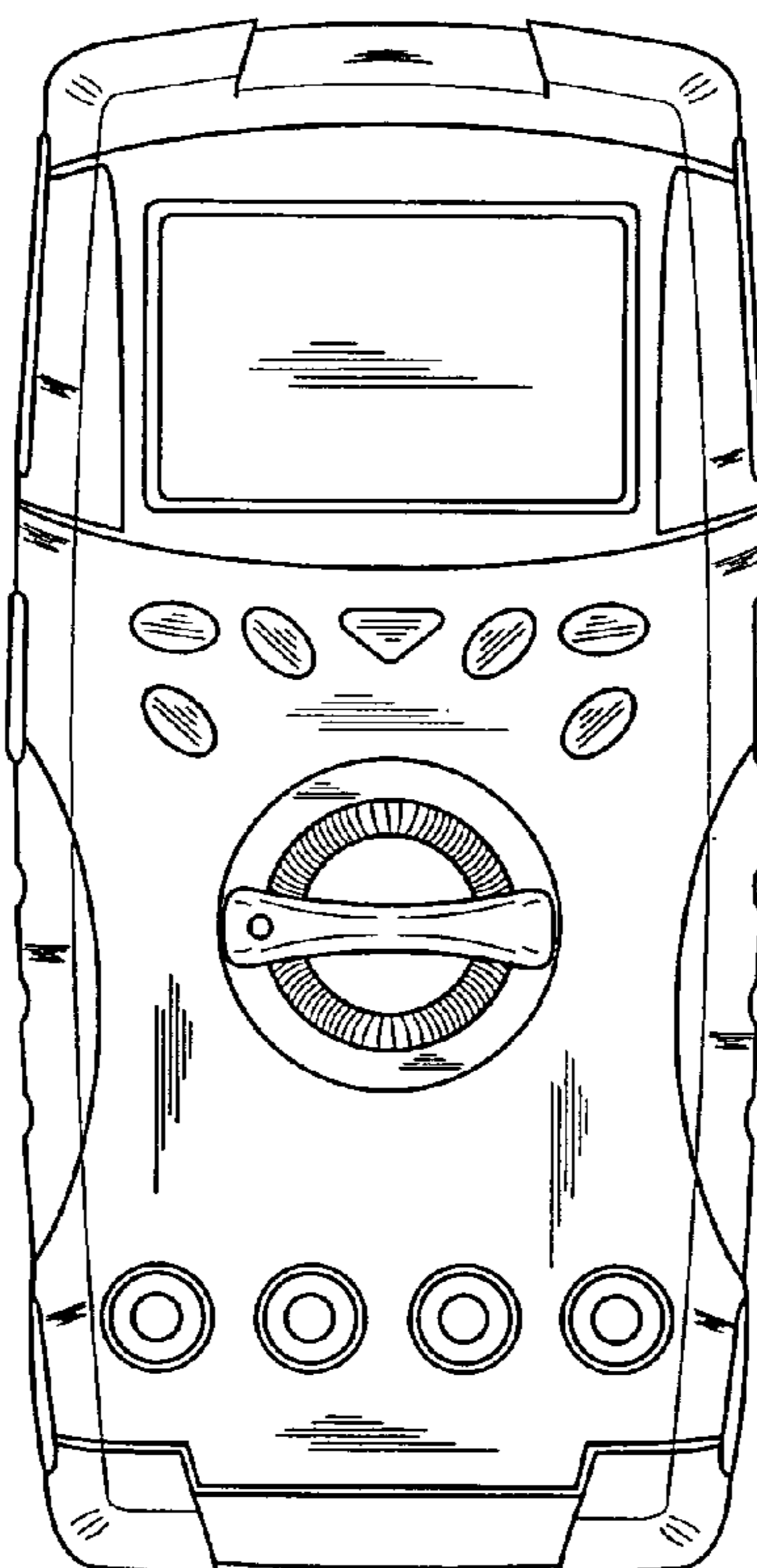
FIG. 5 is a side-view of the test instrument;

FIG. 6 is another side-view of the test instrument; and,

FIG. 7 is a perspective view of the test instrument.

The characteristic feature of the design resides in FIGS. 1–7.

**1 Claim, 5 Drawing Sheets**



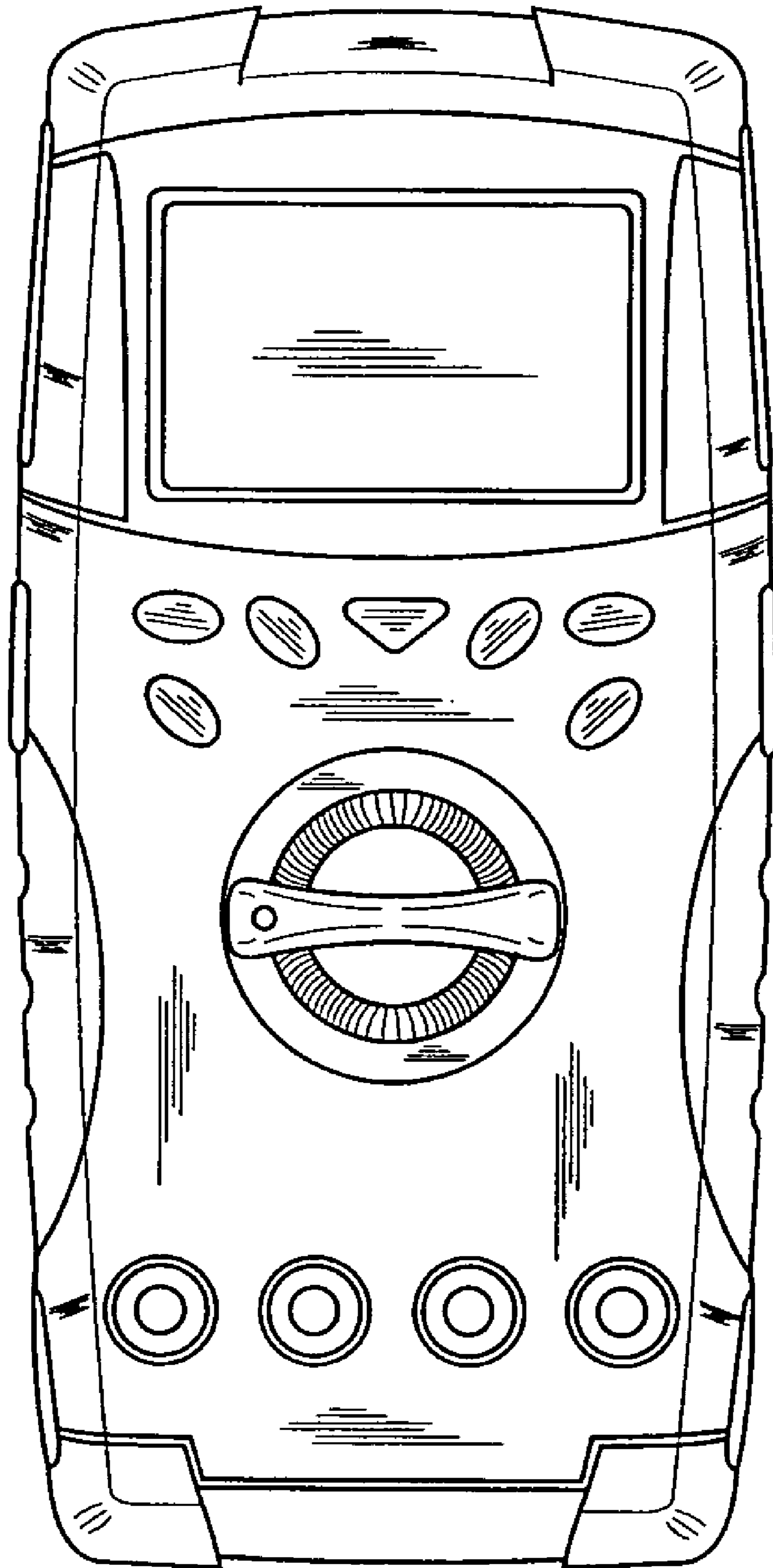


FIG. 1

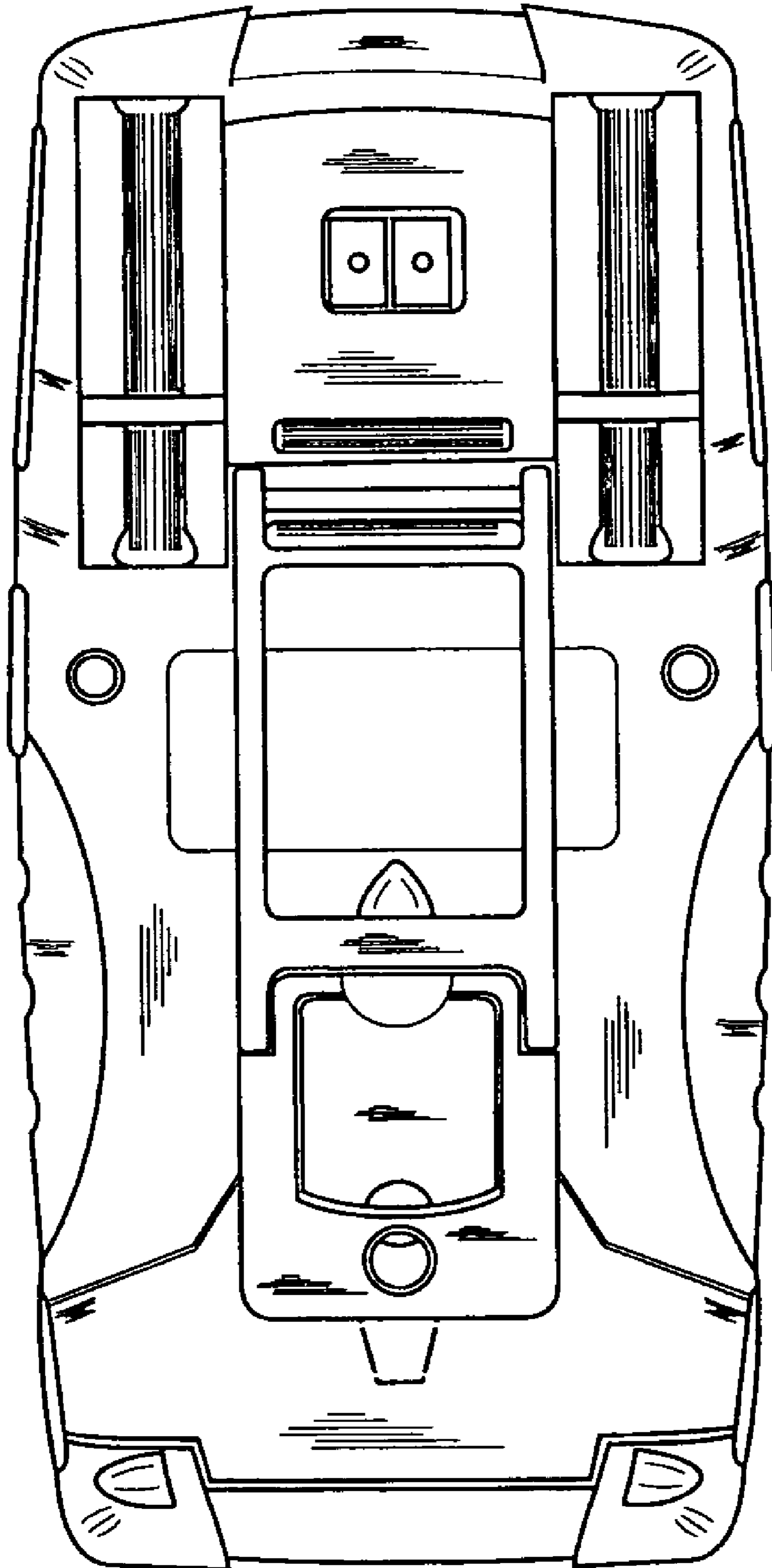


FIG. 2

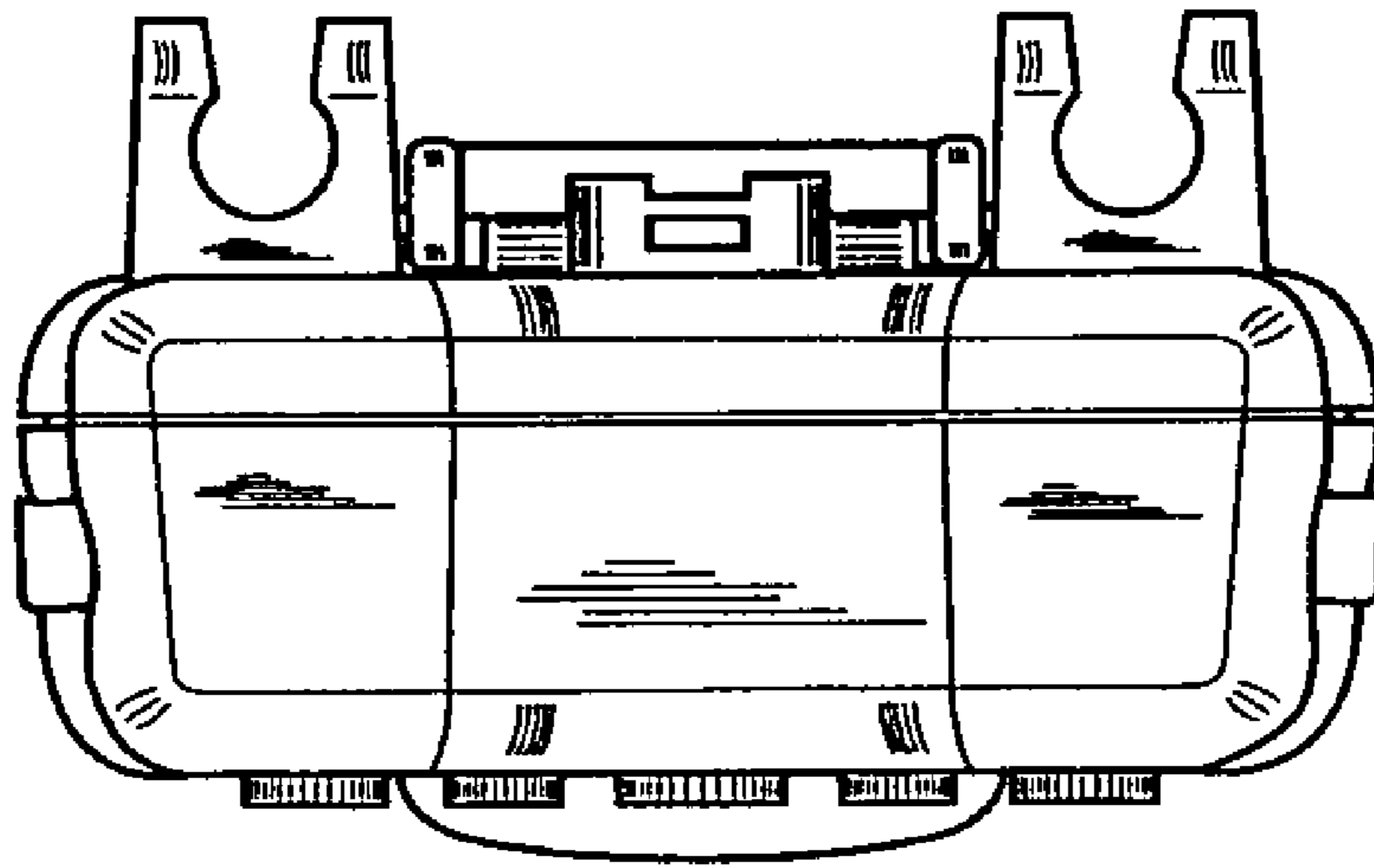


FIG. 3

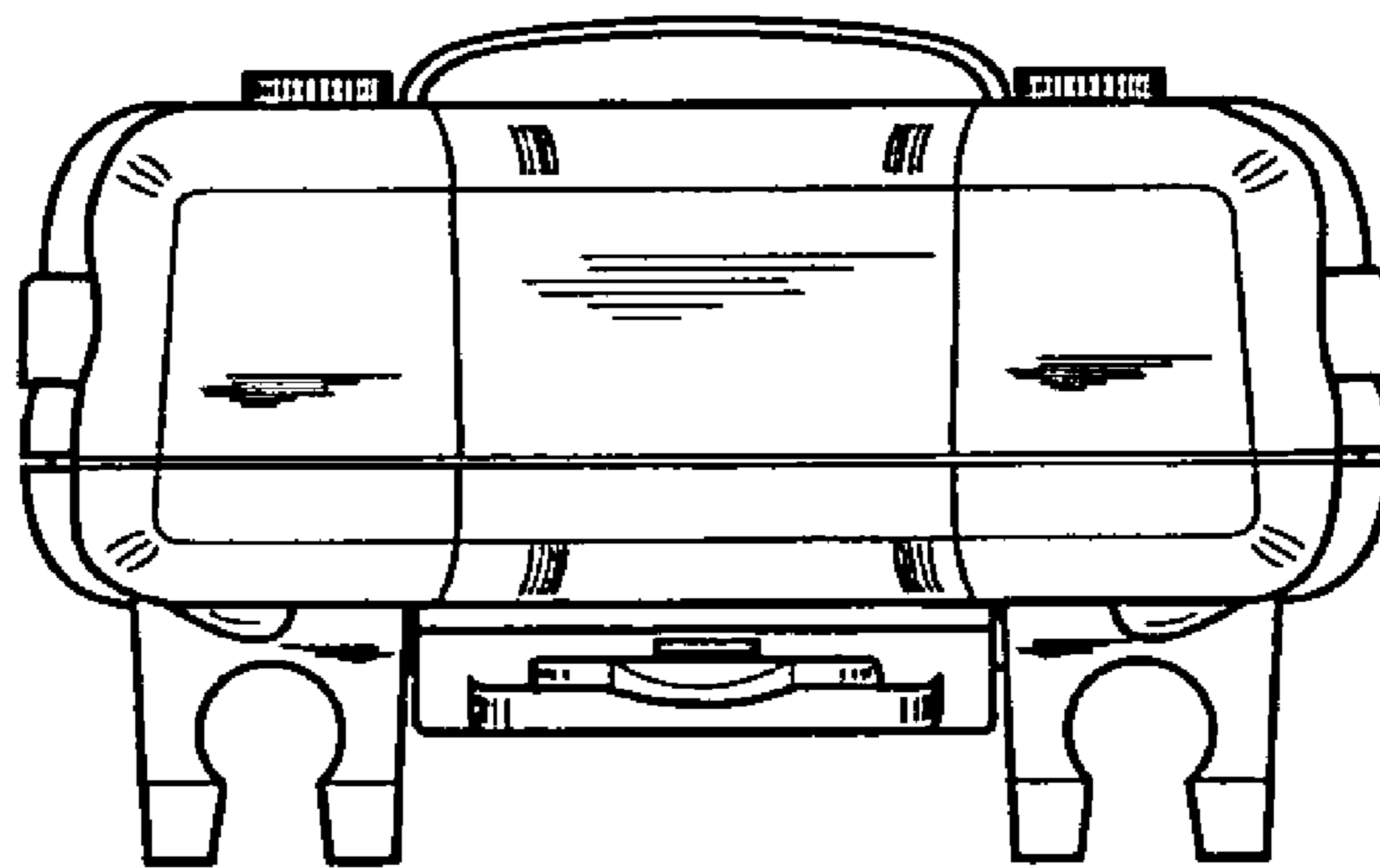


FIG. 4

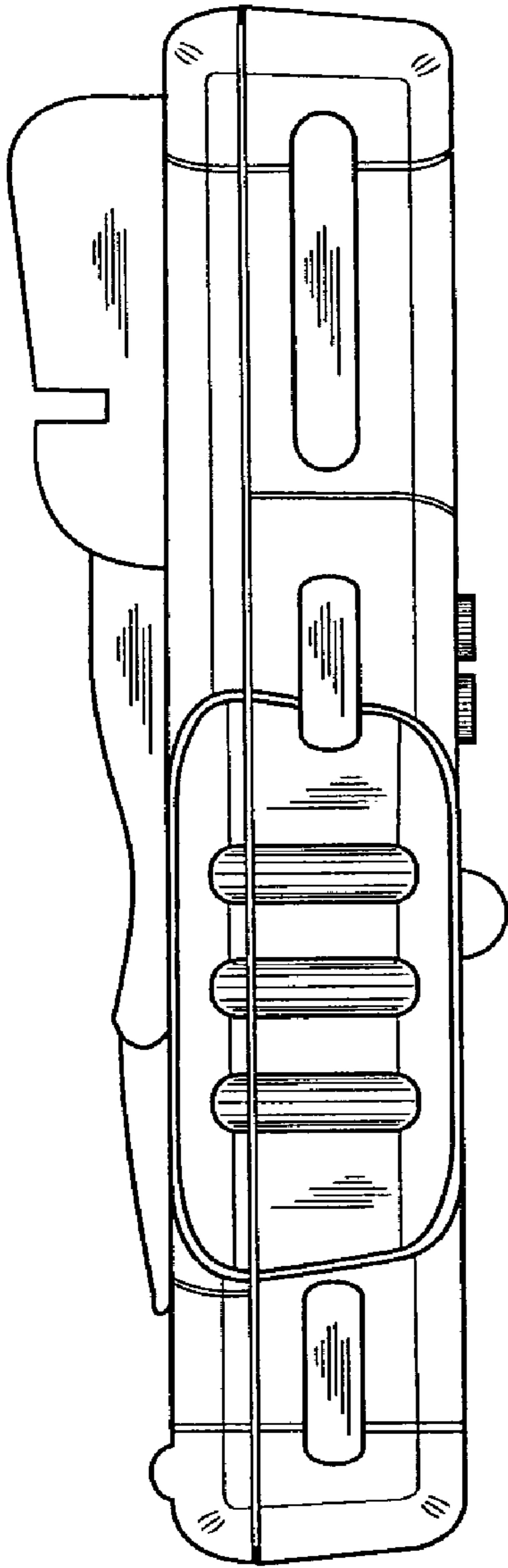


FIG. 5

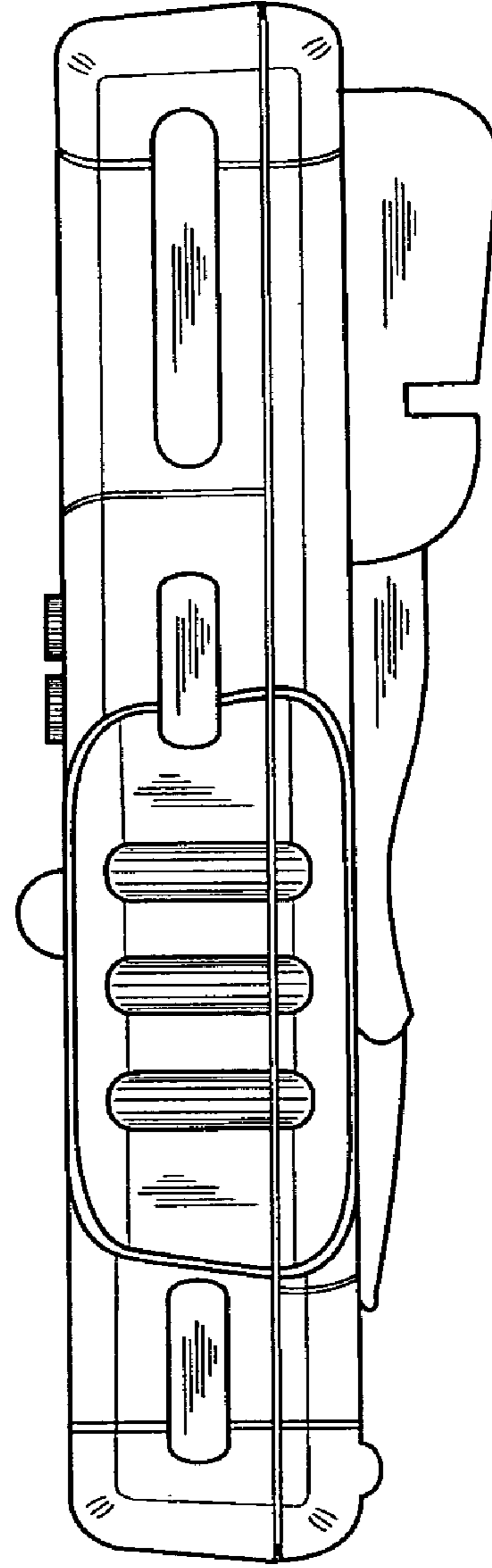


FIG. 6

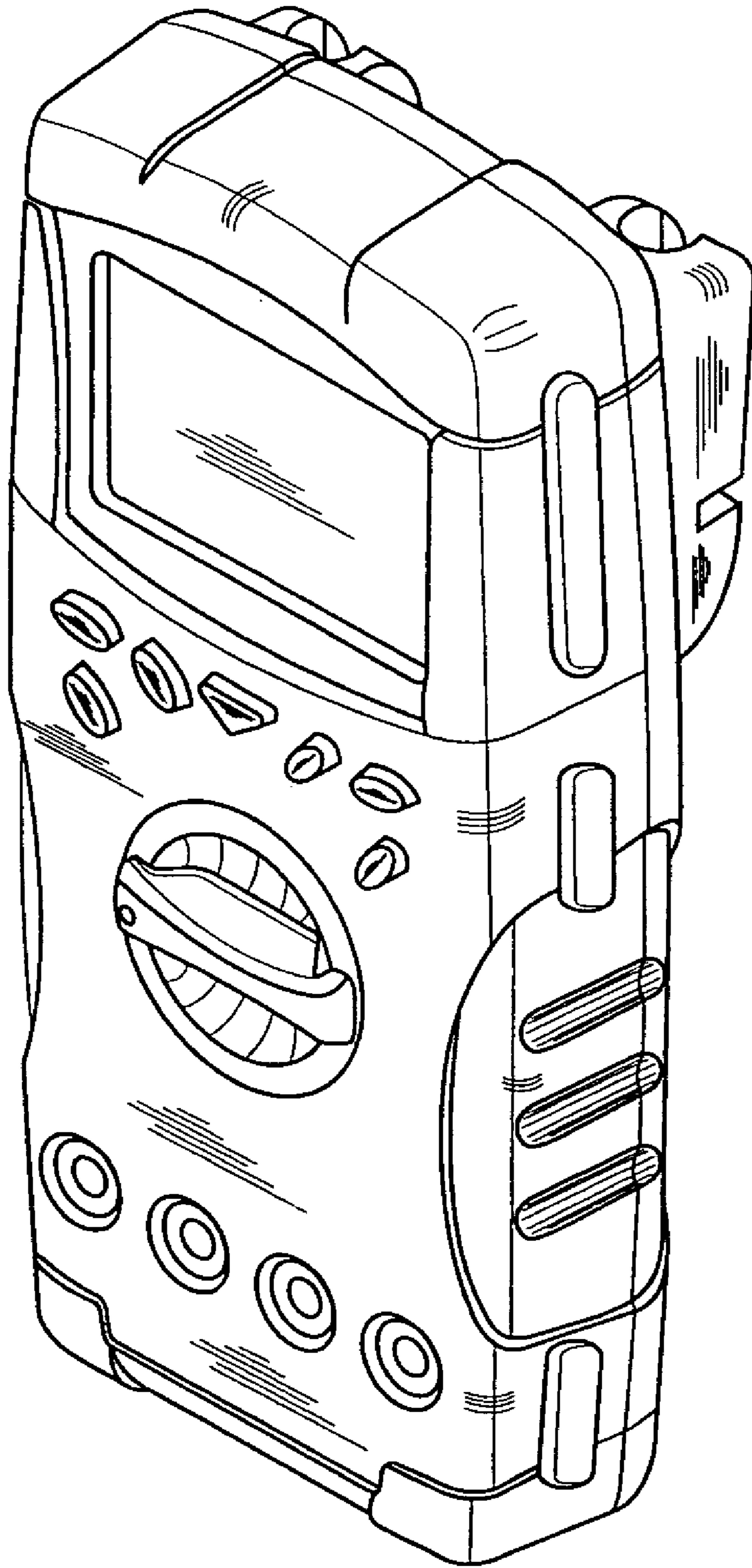


FIG. 7