



US00D555522S

(12) **United States Design Patent**
Keefe

(10) **Patent No.:** **US D555,522 S**

(45) **Date of Patent:** **** Nov. 20, 2007**

(54) **FOOD TIMER DEVICE**

D488,520 S * 4/2004 Yuen D21/524
D499,345 S * 12/2004 Bhavnani D10/40

(76) Inventor: **Shannon Keefe**, 2381 Lake St., Niles,
MI (US) 49126

OTHER PUBLICATIONS

(**) Term: **14 Years**

Kole Imports, 2002, p. 47, item HT-120, kitchen appliance timer shaped like a coffee pot [retrieved Jun. 11, 2007]. Retrieved from internet using Google advanced Catalog search, <URL:www.koleimports.com>.*

(21) Appl. No.: **29/268,003**

* cited by examiner

(22) Filed: **Oct. 27, 2006**

Primary Examiner—Lucy Lieberman

(51) **LOC (8) Cl.** **10-03**

(52) **U.S. Cl.** **D10/40; D10/6**

(58) **Field of Classification Search** D10/40,
D10/6; D13/162.1; D14/189; D21/524;
D3/271.1; 368/82–84, 187, 97–123, 276–278,
368/316, 317, 285; D7/594, 599, 613, 628
See application file for complete search history.

(57) **CLAIM**

The ornamental design for a food timer device, as shown and described.

(56) **References Cited**

DESCRIPTION

U.S. PATENT DOCUMENTS

D207,265	S	*	3/1967	Blumenthal	D21/524
D224,551	S	*	8/1972	Hancock	D10/6
D358,773	S	*	5/1995	Sutherland	D10/2
D361,518	S	*	8/1995	Petruzzi	D10/6
5,451,746	A		9/1995	Kadwell		
D411,465	S	*	6/1999	Nasca et al.	D10/6
D420,601	S	*	2/2000	Percy	D10/40
6,048,251	A	*	4/2000	Klitsner et al.	446/479
6,140,621	A		10/2000	Ho		
6,362,459	B1		3/2002	Schmidt		
6,625,089	B2	*	9/2003	Stekelenburg	368/107
6,657,923	B2	*	12/2003	Laughlin	368/10

FIG. 1 is a front elevational view of a food timer device showing my new design;

FIG. 2 is a rear elevational view thereof;

FIG. 3 is a top plan view thereof;

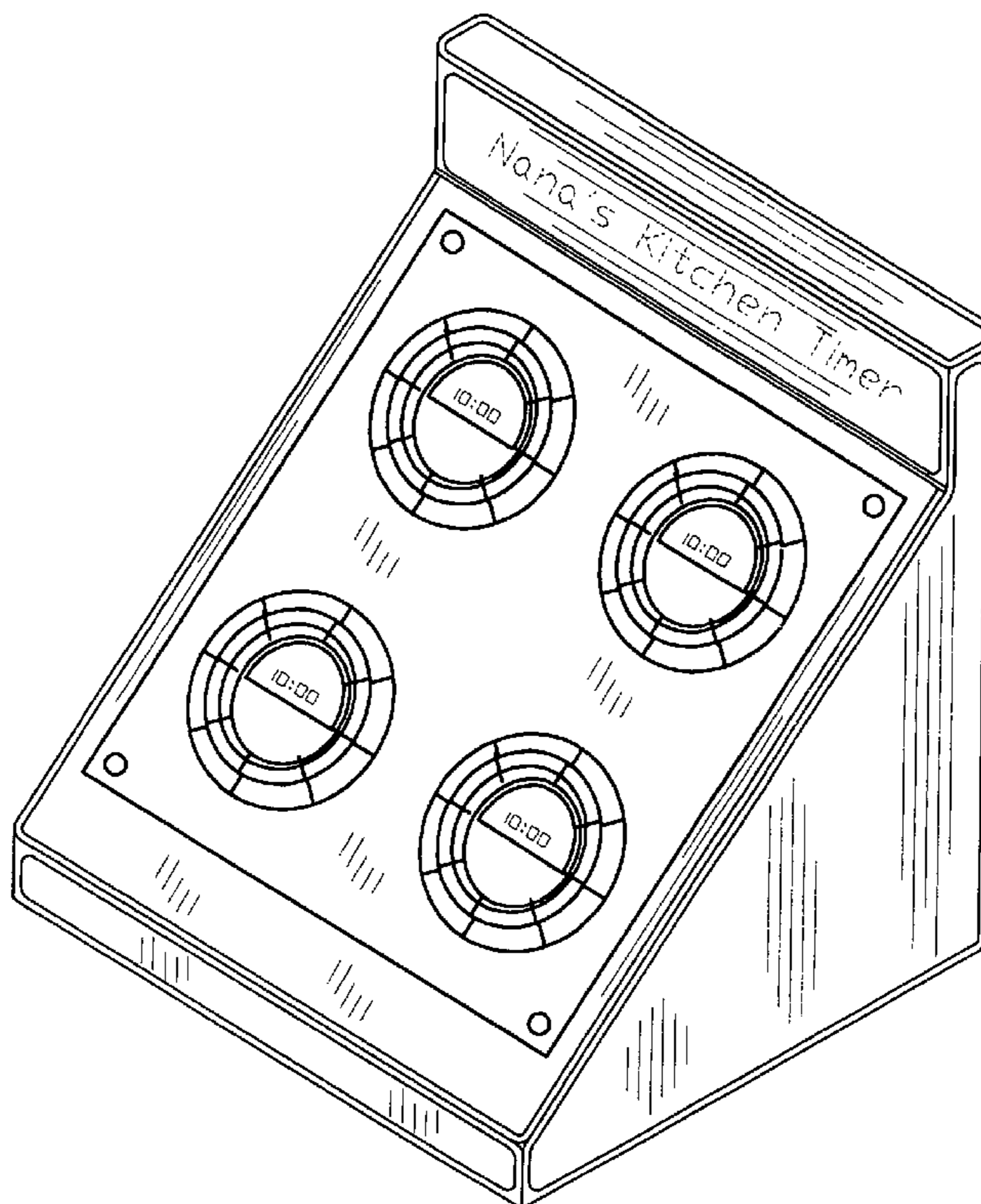
FIG. 4 is a left side elevation thereof;

FIG. 5 is a right side elevation thereof; and,

FIG. 6 is a perspective view thereof.

The broken lines showing indicia in FIGS. 1 and 6 are for illustrative purposes only and form no part of the claimed design.

1 Claim, 6 Drawing Sheets



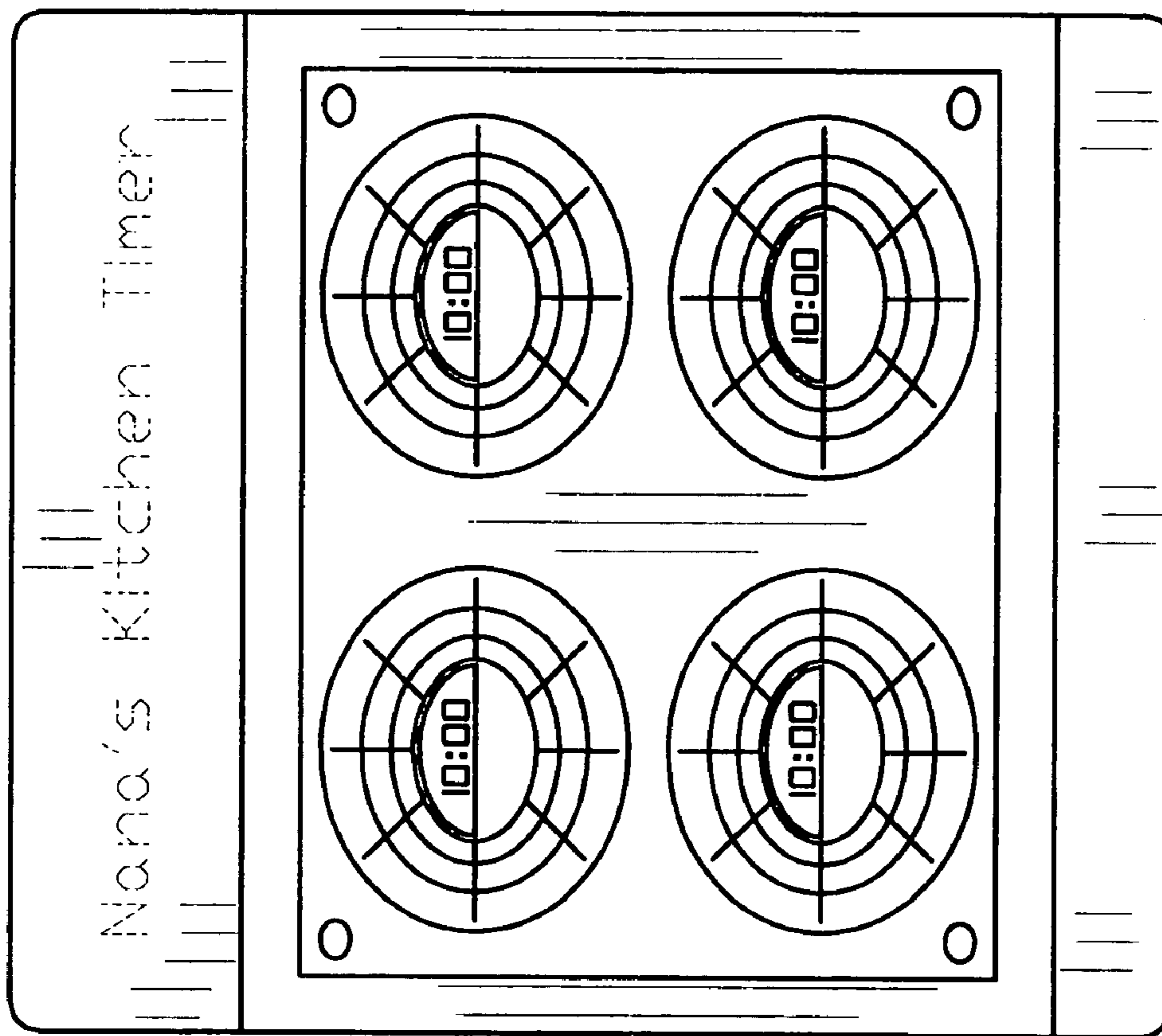


FIG. 1

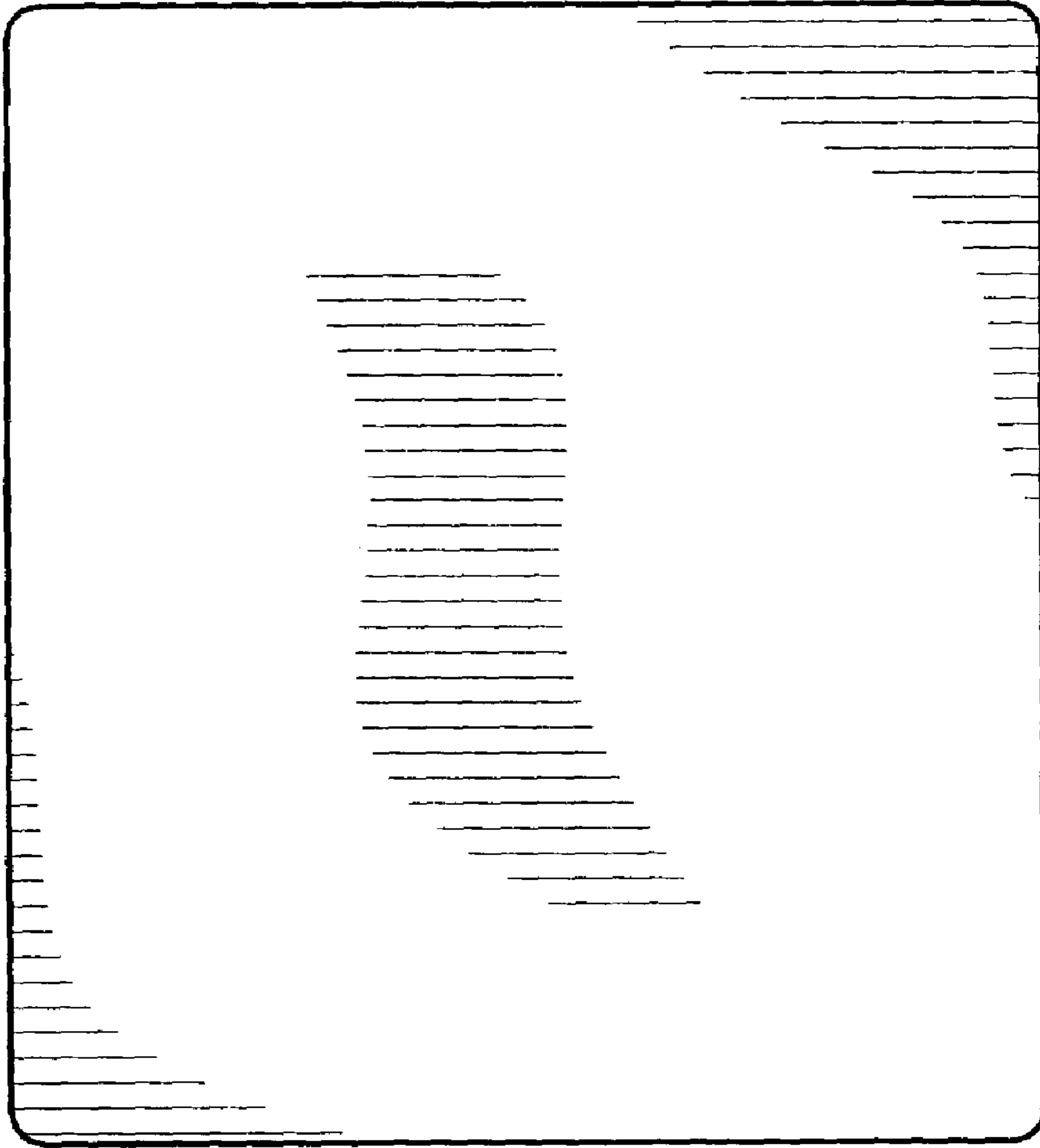


FIG. 2

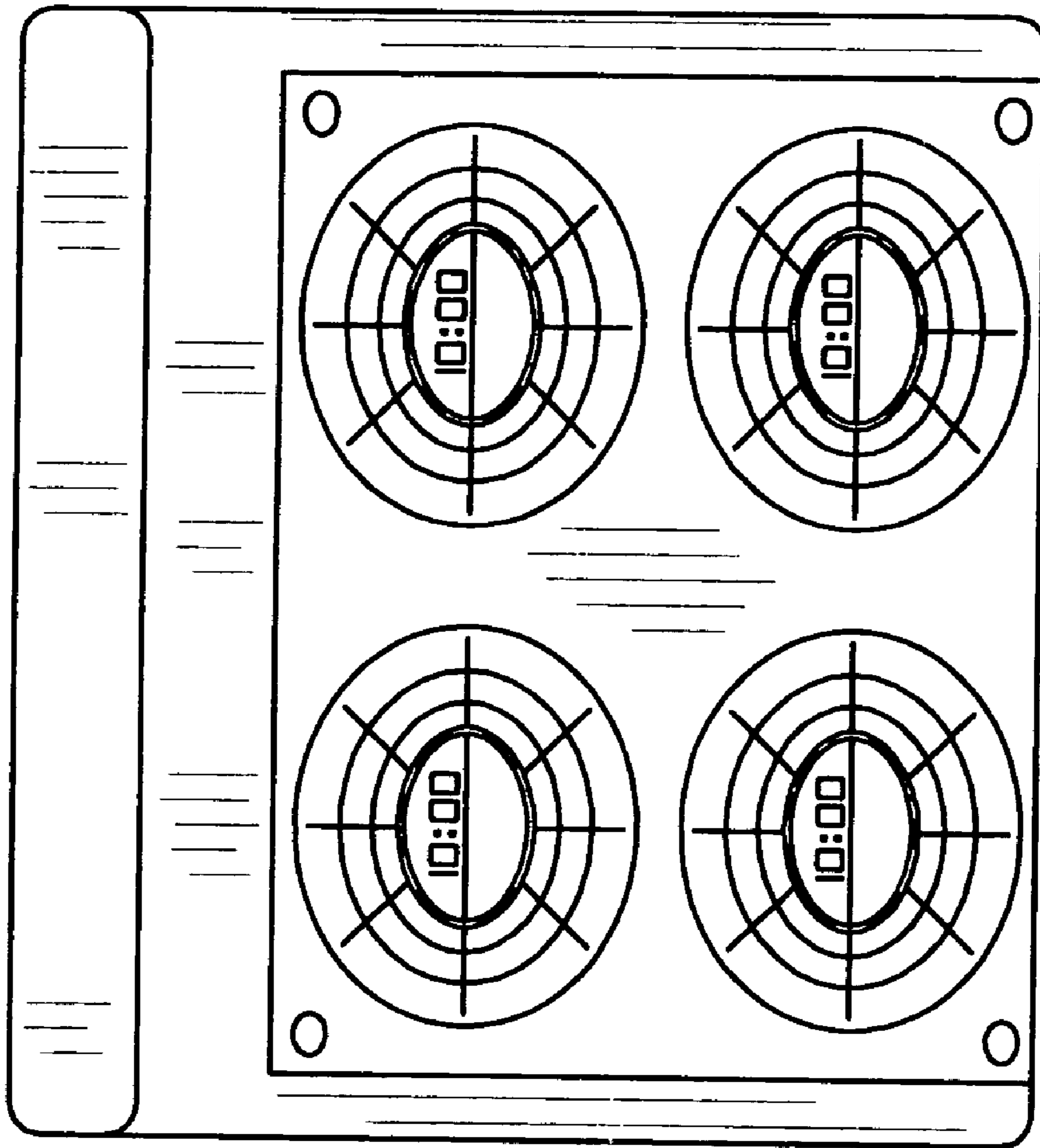


FIG. 3

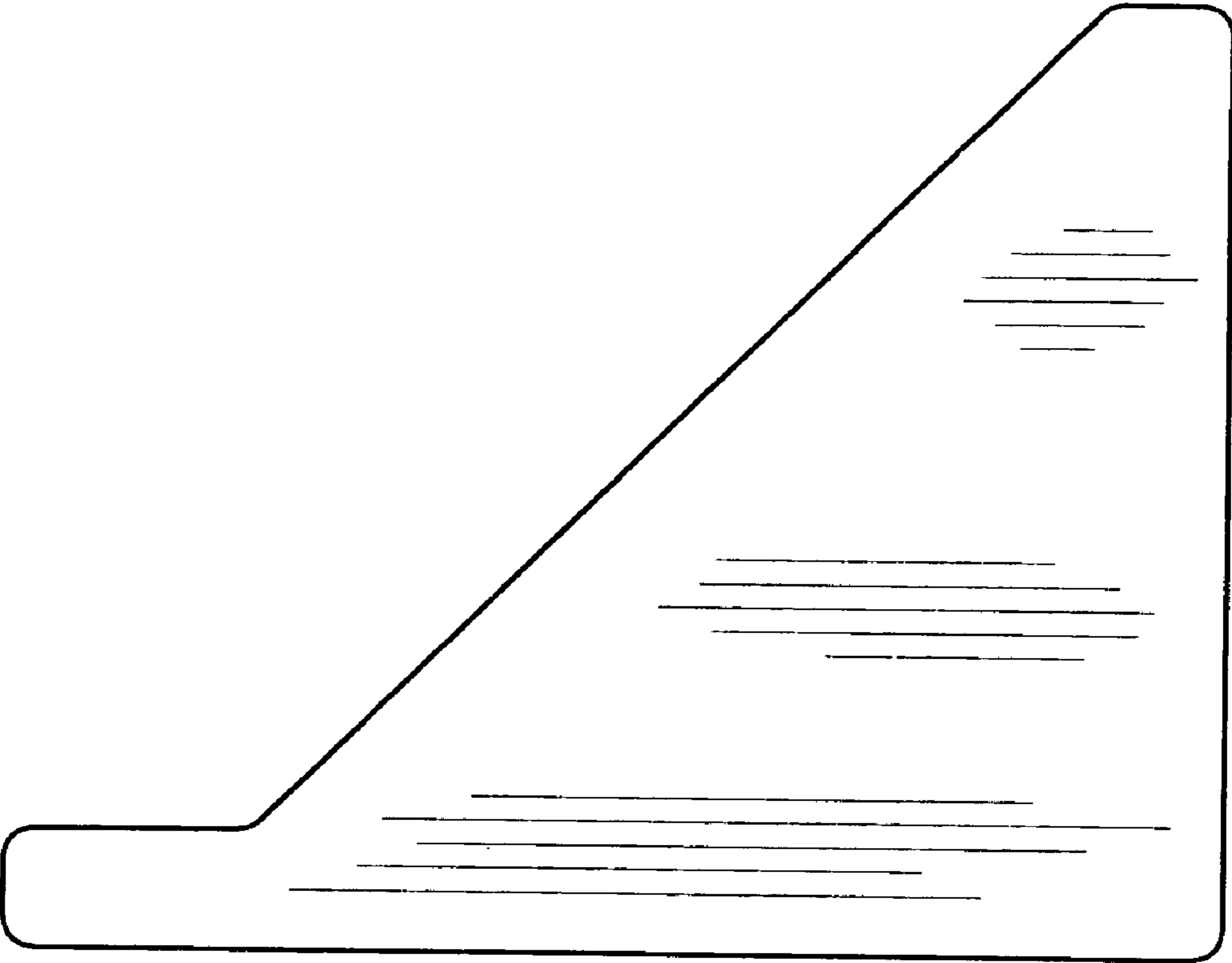


FIG. 4

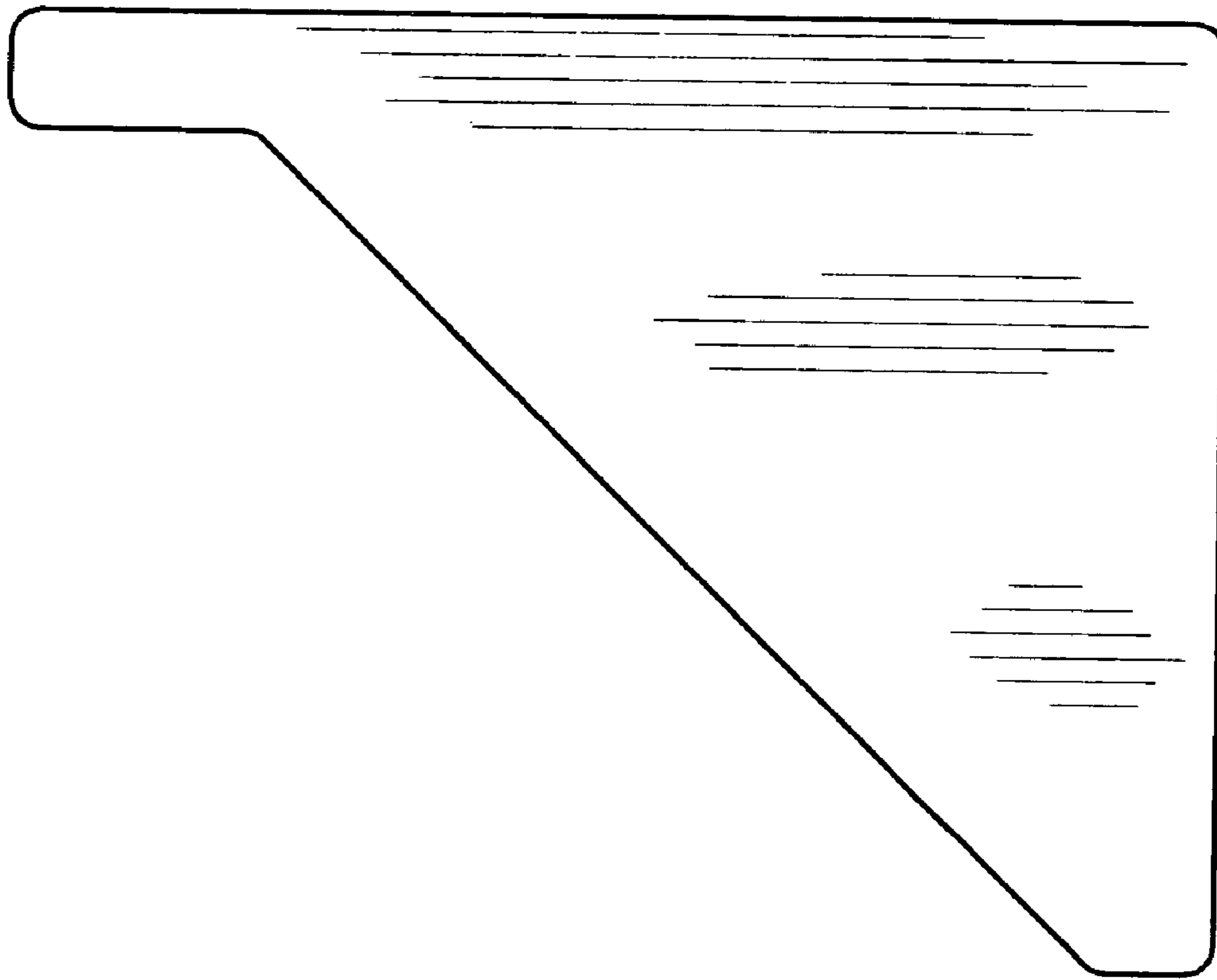


FIG. 5

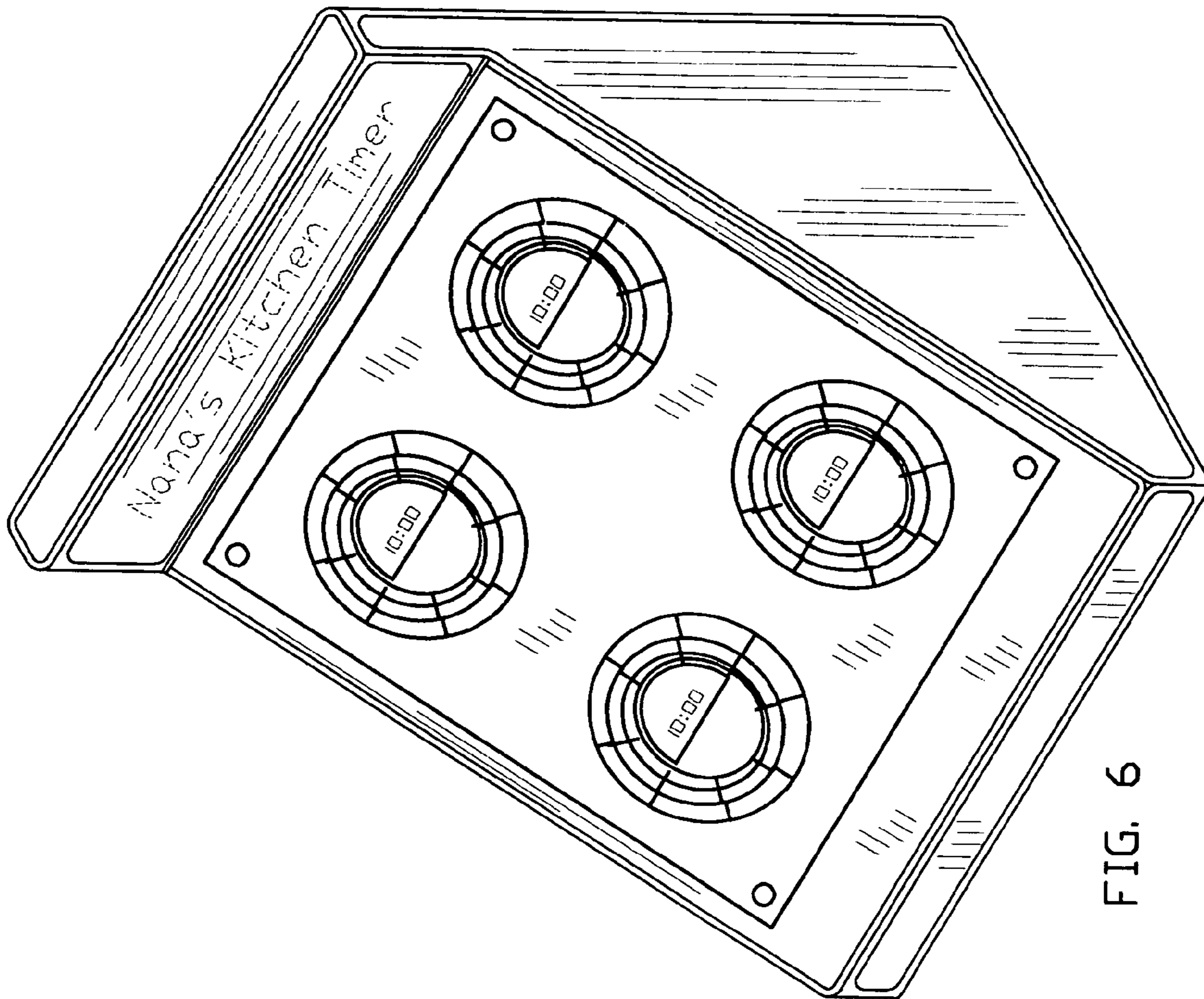


FIG. 6