



US00D555521S

(12) **United States Design Patent**
Gruosi-Scheufele

(10) **Patent No.:** **US D555,521 S**

(45) **Date of Patent:** **** Nov. 20, 2007**

(54) **WATCH**

(75) **Inventor:** **Caroline Gruosi-Scheufele**, Prangins (CH)

(73) **Assignee:** **Chopard International SA** (CH)

(**) **Term:** **14 Years**

(21) **Appl. No.:** **29/276,794**

(22) **Filed:** **Feb. 6, 2007**

(30) **Foreign Application Priority Data**

Aug. 9, 2006 (WO) DM/068 306

(51) **LOC (8) Cl.** **10-02**

(52) **U.S. Cl.** **D10/39**

(58) **Field of Classification Search** D10/30-39,
D10/123-126; 368/276, 277, 281-283, 285,
368/223, 228, 232, 80

See application file for complete search history.

(56) **References Cited**

U.S. PATENT DOCUMENTS

- D250,693 S * 1/1979 Perrin D10/39
- D399,435 S * 10/1998 Gogniat D10/39
- D403,248 S * 12/1998 Magninat D10/30
- D454,310 S * 3/2002 Dostourian D10/30

- D478,515 S * 8/2003 Sugiura et al. D10/32
- D487,404 S * 3/2004 Dubarry D10/39
- D496,290 S * 9/2004 Plan D10/32
- D498,683 S * 11/2004 Arabov D10/39
- D504,333 S * 4/2005 Arabov D10/39
- D526,215 S * 8/2006 Calvani D10/38
- D526,581 S * 8/2006 Calvani D10/39
- D531,063 S * 10/2006 Reginelli D10/32
- D538,682 S * 3/2007 Bodino D10/39

* cited by examiner

Primary Examiner—Lucy Lieberman

(74) *Attorney, Agent, or Firm*—McGlew & Tuttle P.C.

(57) **CLAIM**

The ornamental design for a watch, as shown and described.

DESCRIPTION

FIG. 1 is a right side view of a watch;

FIG. 2 is a top view thereof;

FIG. 3 is a left side view thereof;

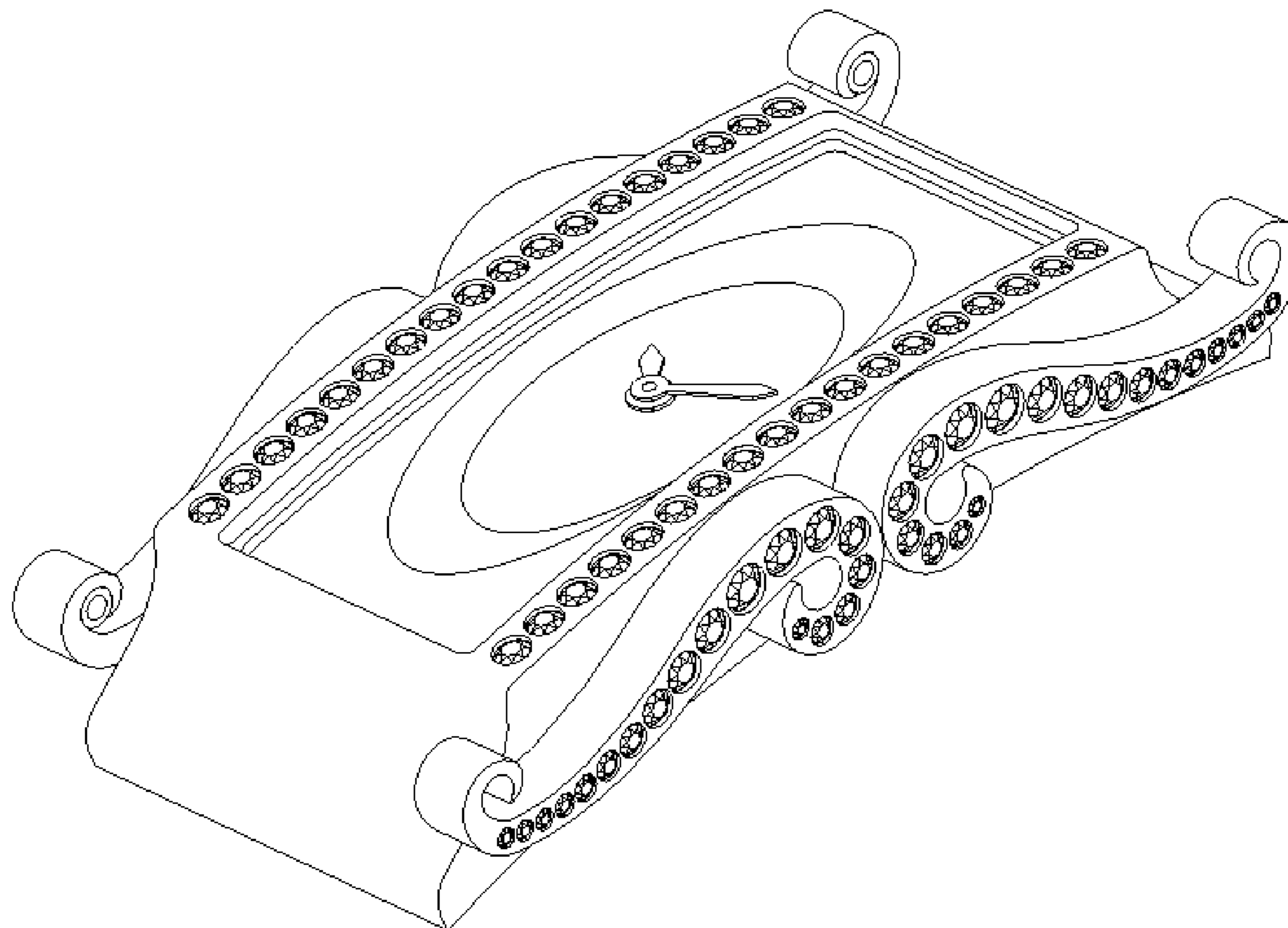
FIG. 4 is a front end view thereof;

FIG. 5 is a bottom view thereof;

FIG. 6 is a rear end view thereof; and,

FIG. 7 is a perspective view thereof.

1 Claim, 1 Drawing Sheet



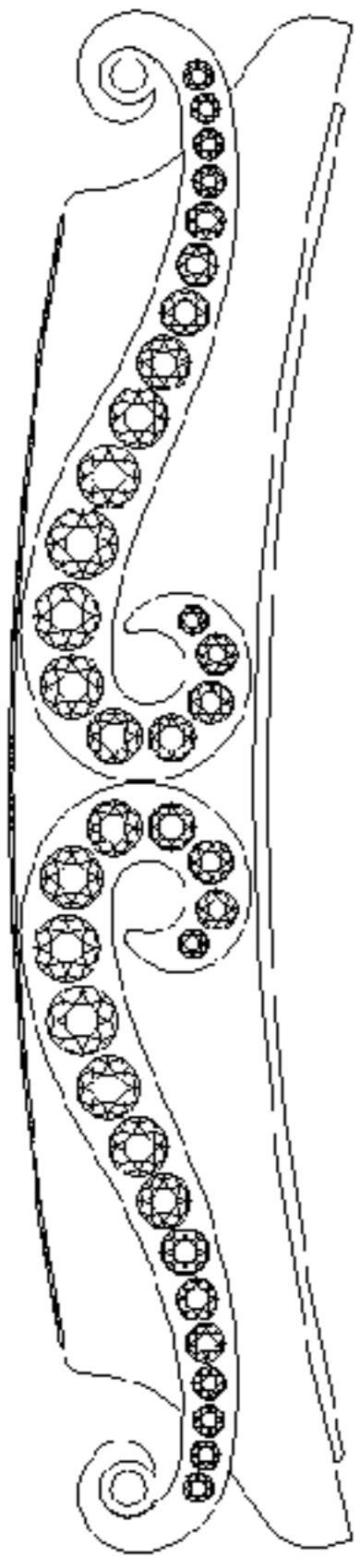


Fig. 1

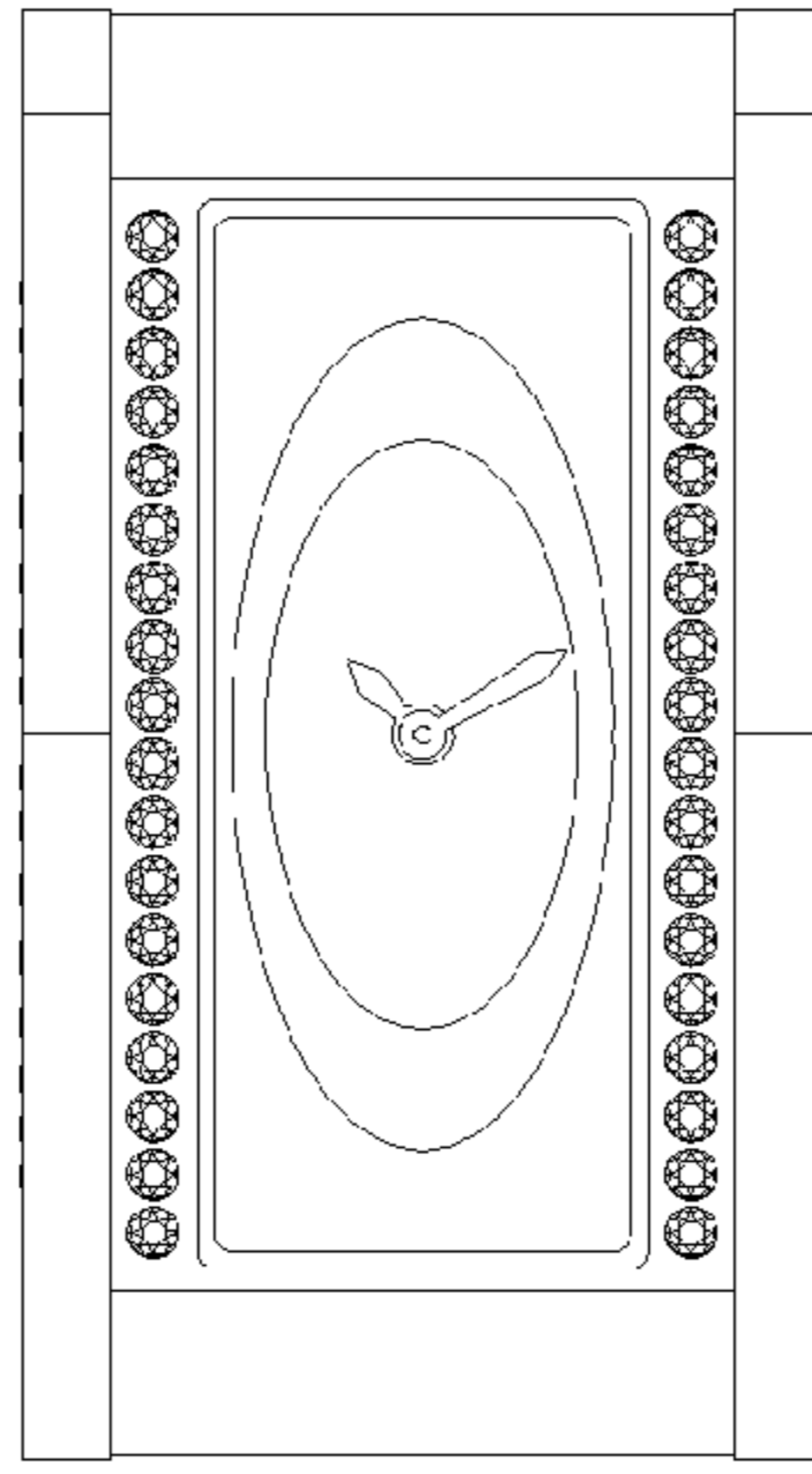


Fig. 2

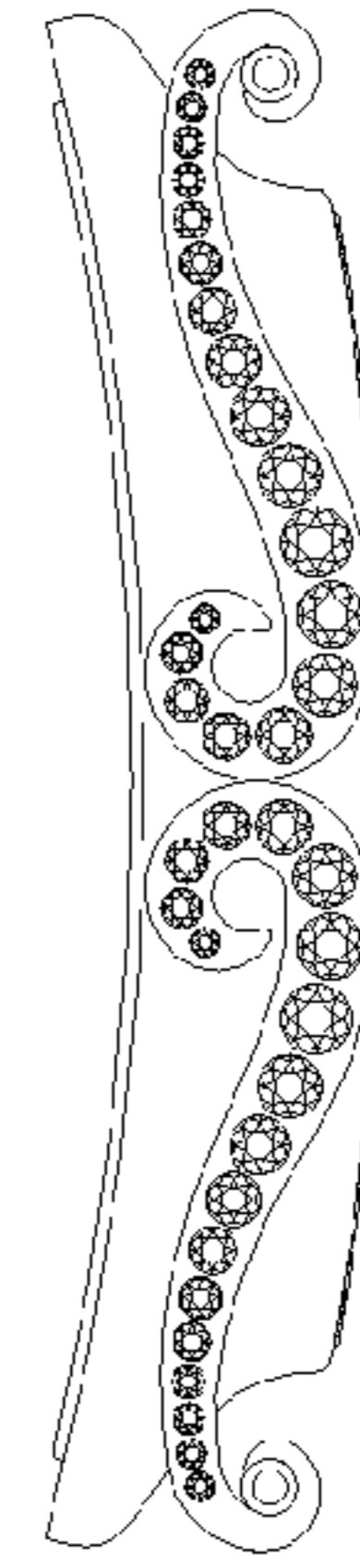


Fig. 3

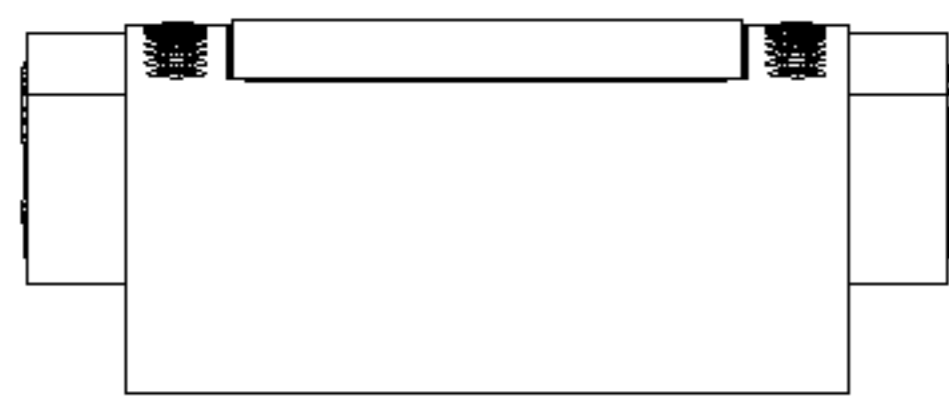


Fig. 4

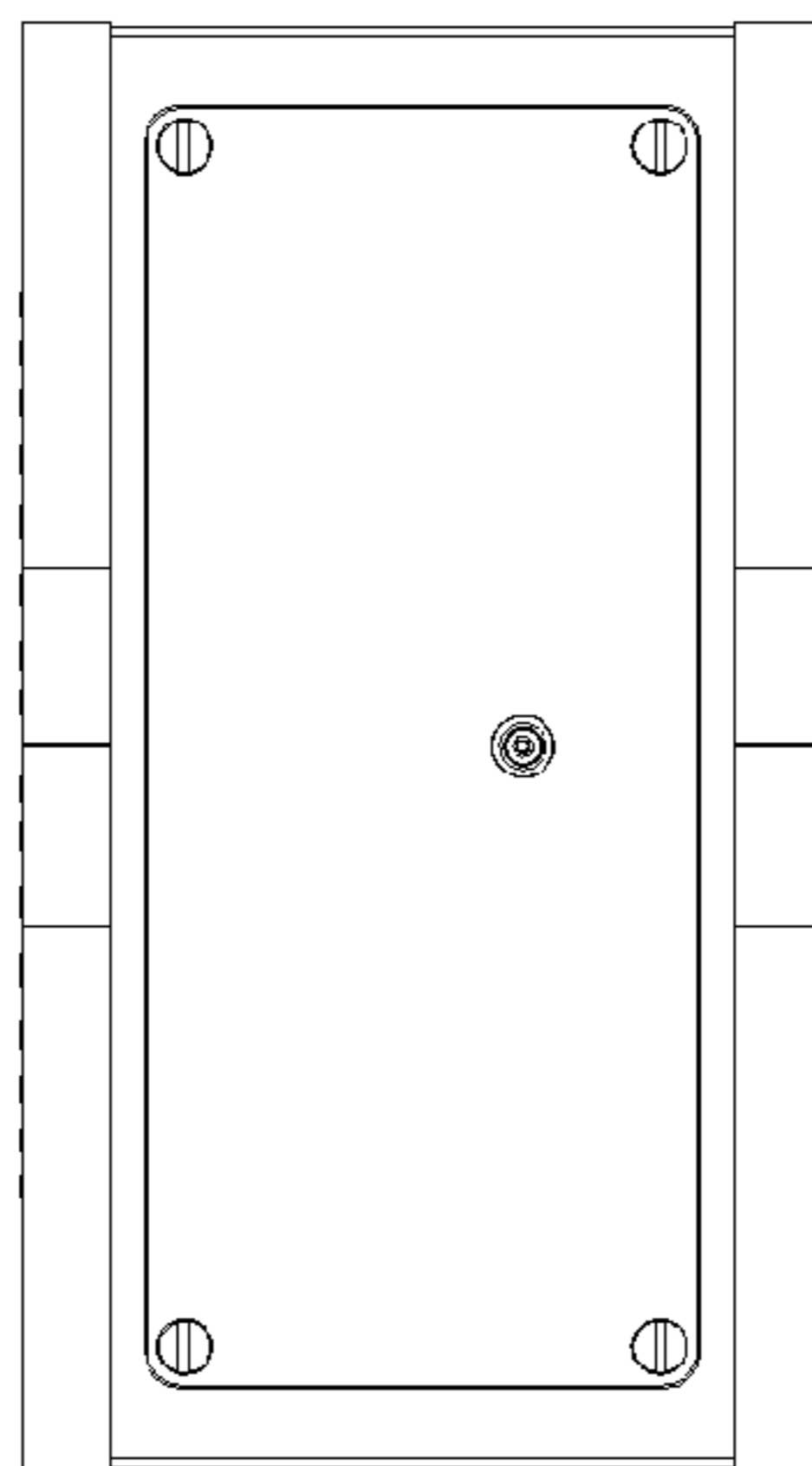


Fig. 5

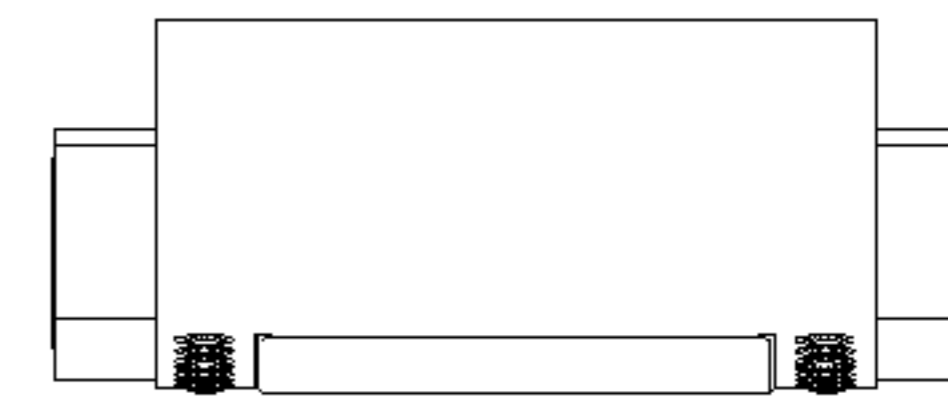


Fig. 6

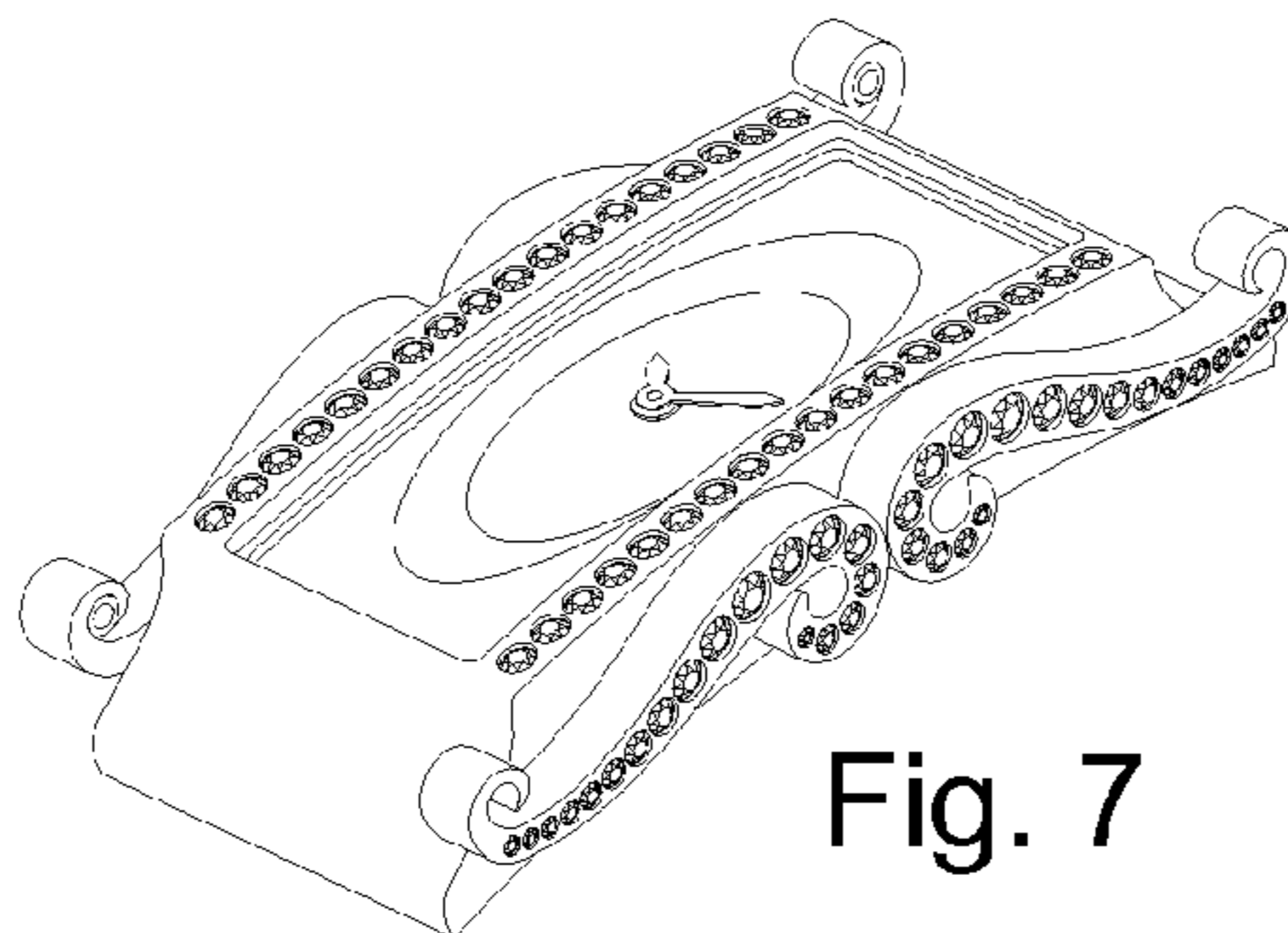


Fig. 7