



US00D555512S

(12) **United States Design Patent**
Lam

(10) **Patent No.:** **US D555,512 S**

(45) **Date of Patent:** **** Nov. 20, 2007**

(54) **CANDY CONTAINER**

(76) **Inventor:** **Samy Hak Tang Lam**, Block A, 11/F
Shun Wai Industrial Building, 15 Yuk
Yat Street, Tokwawan, Kowloon (HK)

(**) **Term:** **14 Years**

(21) **Appl. No.:** **29/262,726**

(22) **Filed:** **Jul. 10, 2006**

(51) **LOC (8) Cl.** **09-01**

(52) **U.S. Cl.** **D9/730**

(58) **Field of Classification Search** D9/414,
D9/416, 417, 418, 420, 730, 733, 735, 736;
D3/203.1, 203.2, 203.3; 206/536; 215/215;
220/259.5, 315, 345.1, 345.2, 345.4, 350;
429/97

See application file for complete search history.

(56) **References Cited**

U.S. PATENT DOCUMENTS

2,133,651	A *	10/1938	Baker	206/536
2,692,698	A *	10/1954	Waterman	220/350
D252,558	S *	8/1979	Beck	D9/418
4,880,712	A *	11/1989	Gordecki	429/97
D403,954	S *	1/1999	Okada et al.	D9/735
6,302,289	B1 *	10/2001	Andersson et al.	220/259.5
D494,466	S *	8/2004	Devine	D9/417
D513,584	S *	1/2006	Solowiejko et al.	D9/417
D523,352	S *	6/2006	Rathbone et al.	D9/733

* cited by examiner

Primary Examiner—Mitchell Siegel

Assistant Examiner—Shanda C. Hill

(74) *Attorney, Agent, or Firm*—Law Office of Sergei Orel, LLC

(57) **CLAIM**

The ornamental design for a candy container, as shown and described.

DESCRIPTION

FIG. 1 is a top view of the candy container showing my new design;

FIG. 2 is a left side view thereof;

FIG. 3 is a front view thereof;

FIG. 4 is a right side view thereof;

FIG. 5 is a bottom view thereof;

FIG. 6 is a rear view thereof;

FIG. 7 is a perspective view thereof;

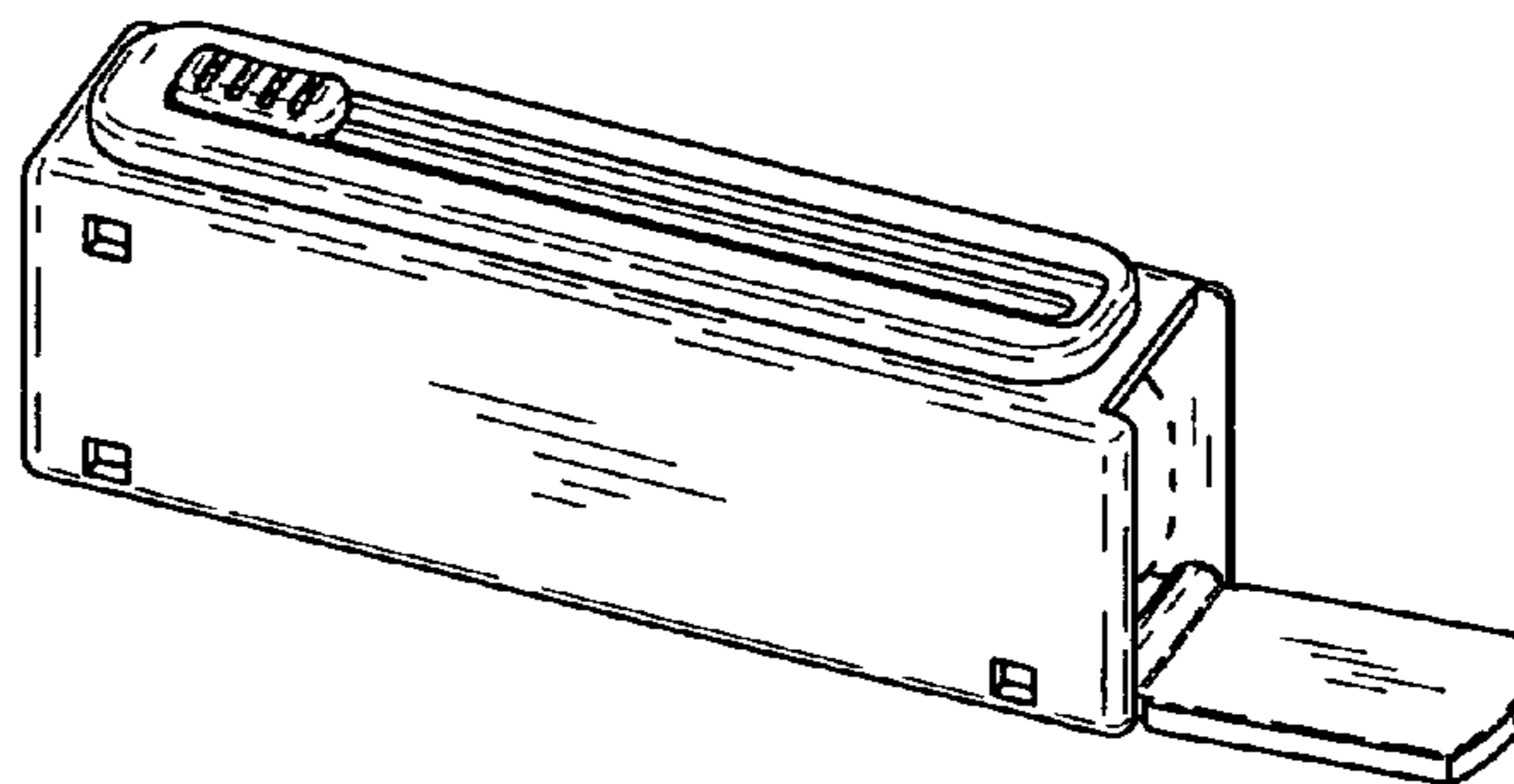
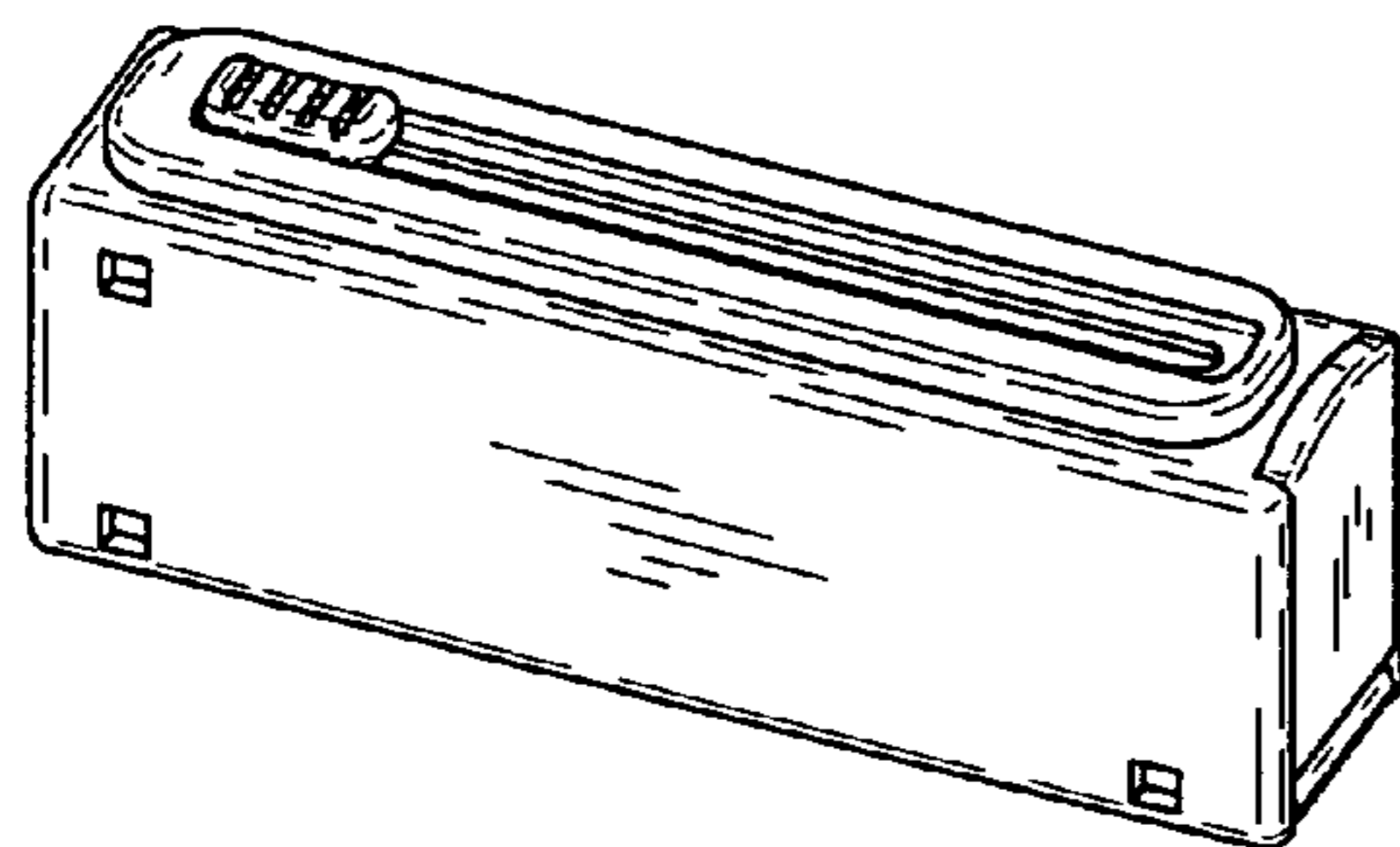
FIG. 8 is a perspective view thereof, shown with the cap open in condition of use;

FIG. 9 is a perspective view of FIG. 8 shown in an alternate position; and,

FIG. 10 is perspective view of FIG. 8 further shown in an alternate position.

The broken lines shown in the drawing disclosure are for illustrative purposes only and form no part of the claimed design.

1 Claim, 2 Drawing Sheets



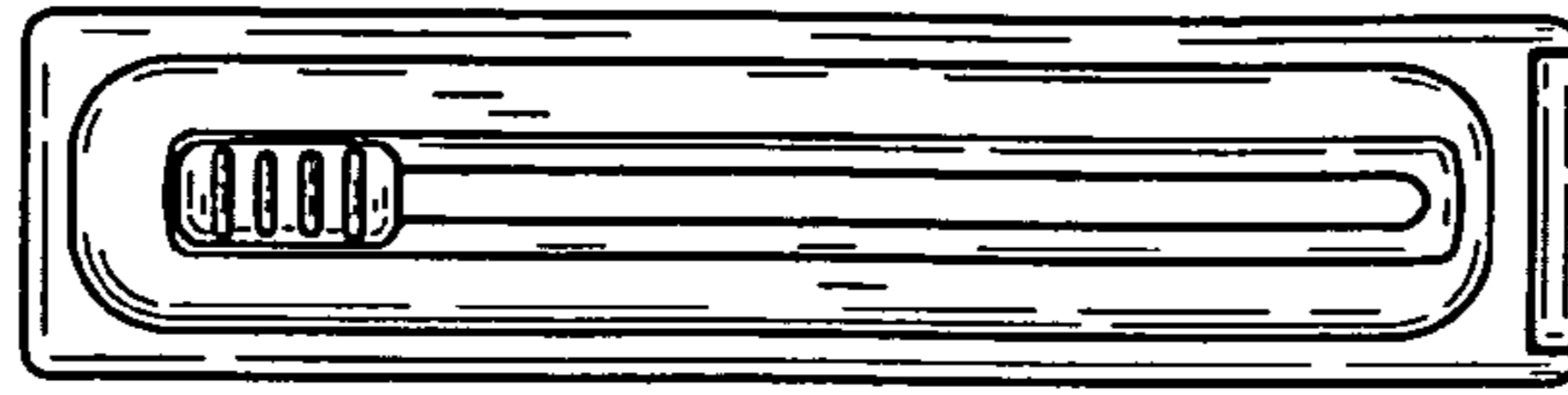


Fig.1

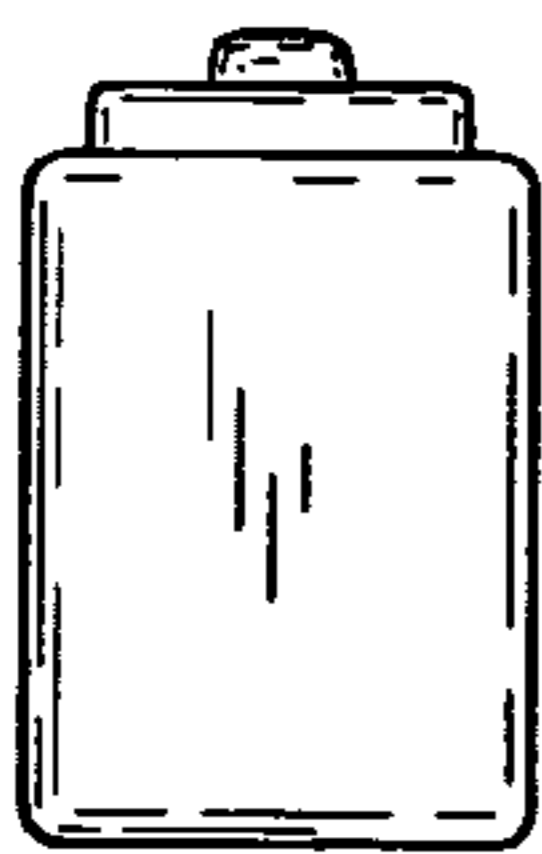


Fig.2

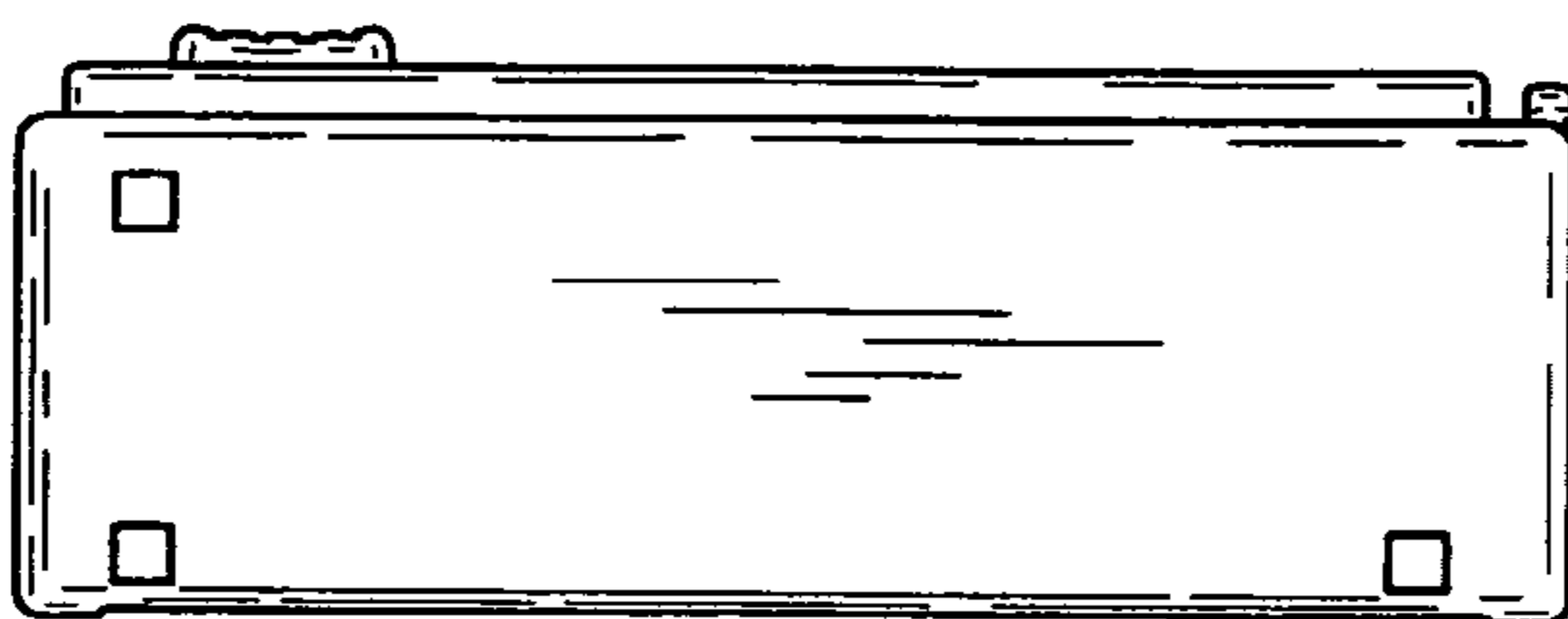


Fig.3

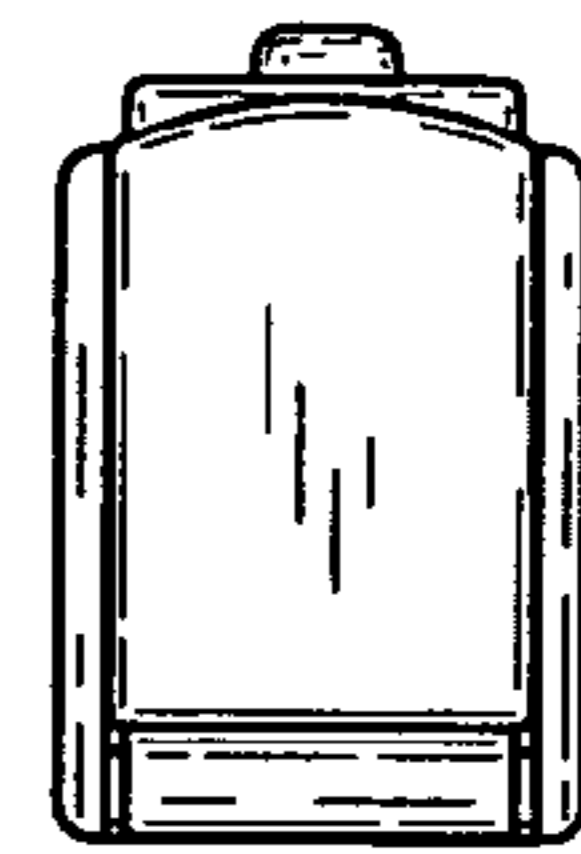


Fig.4

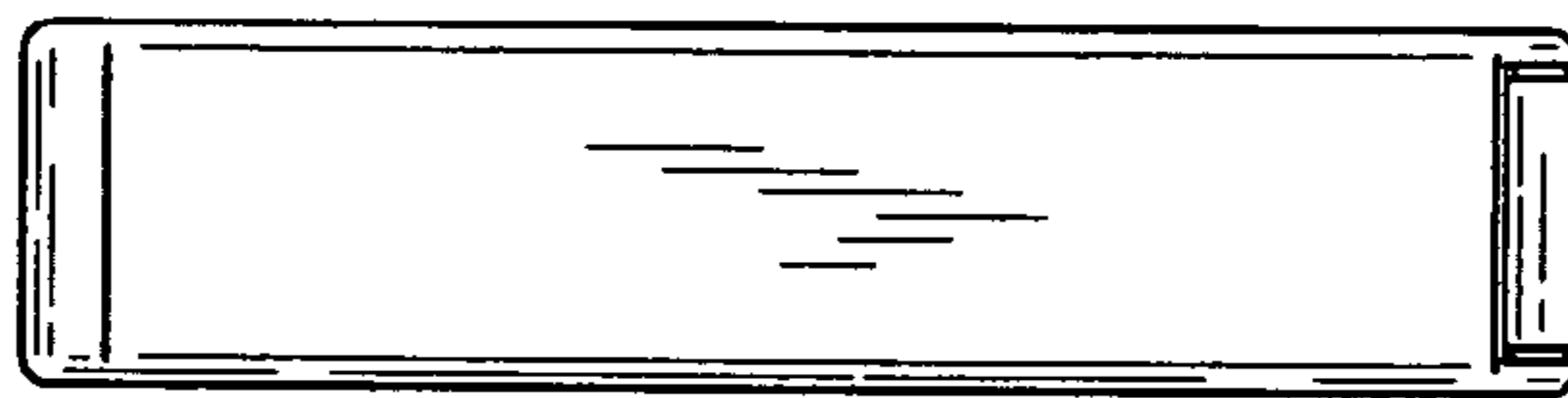


Fig.5

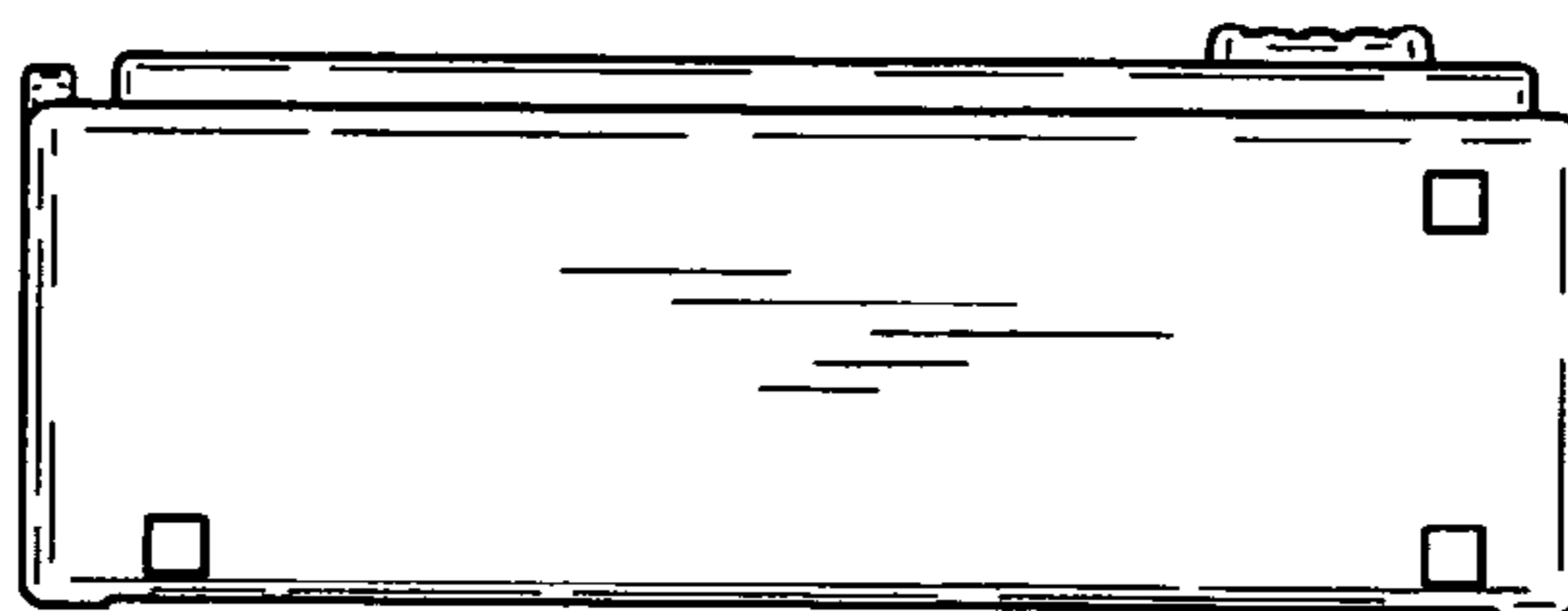


Fig.6

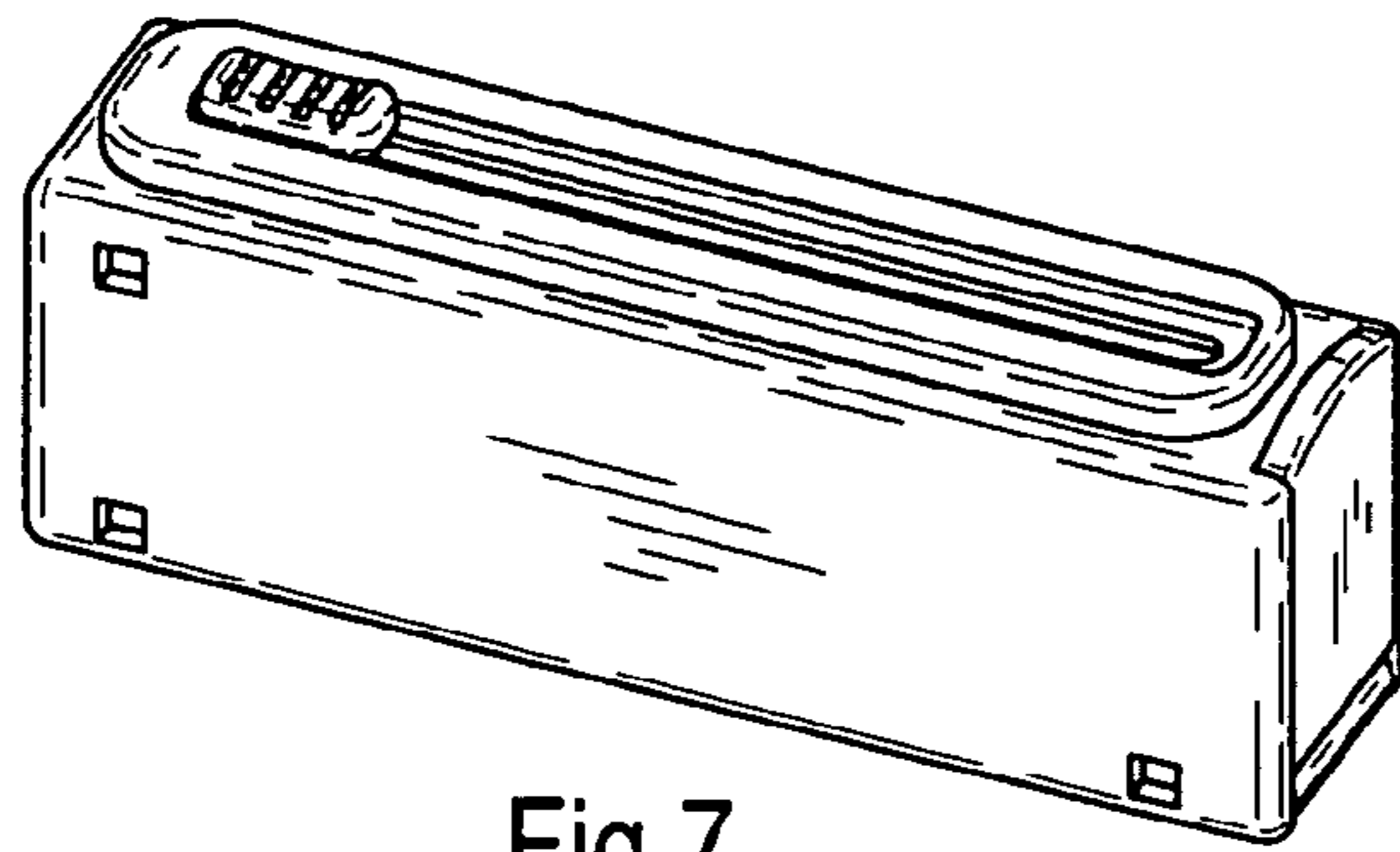


Fig.7

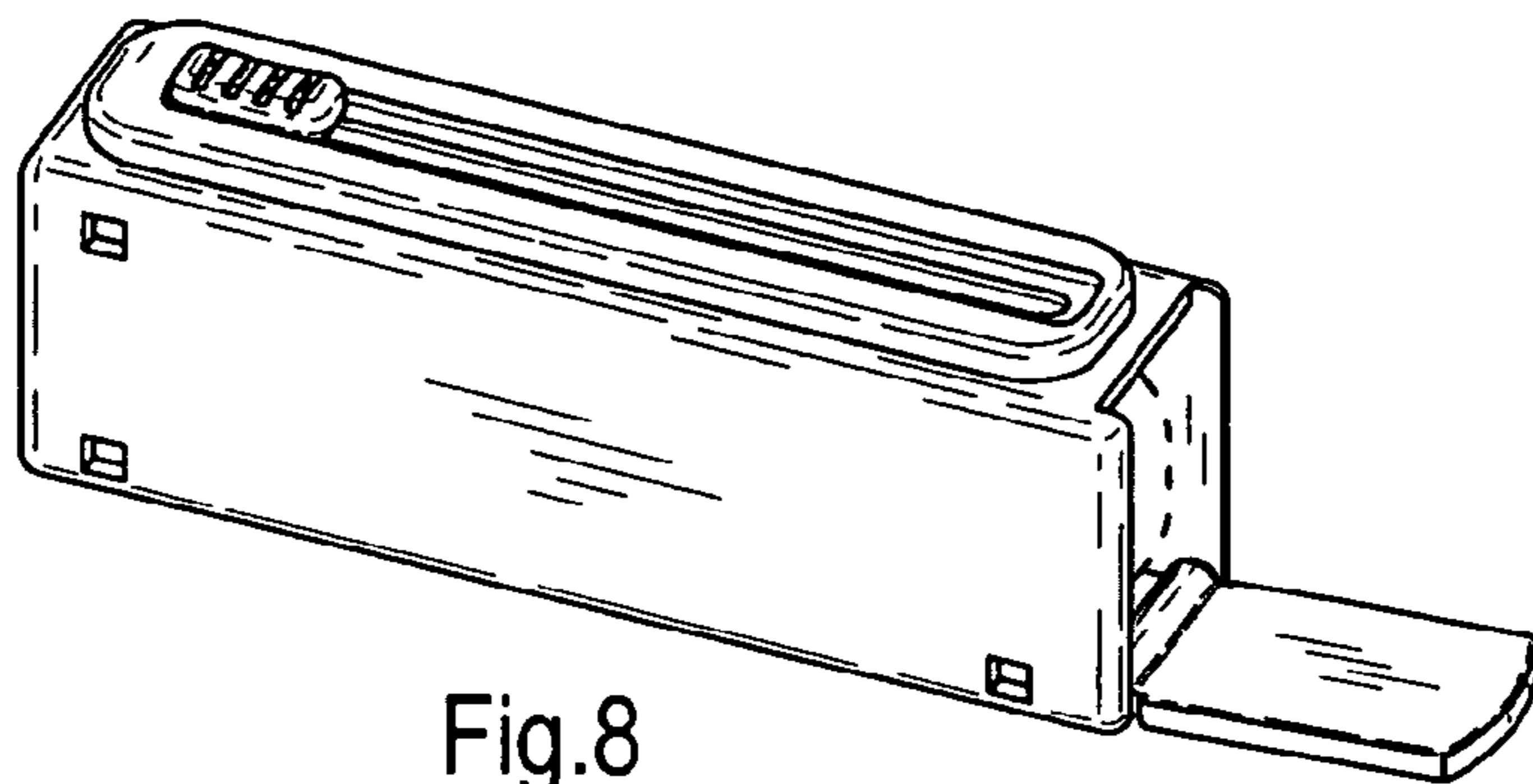


Fig.8

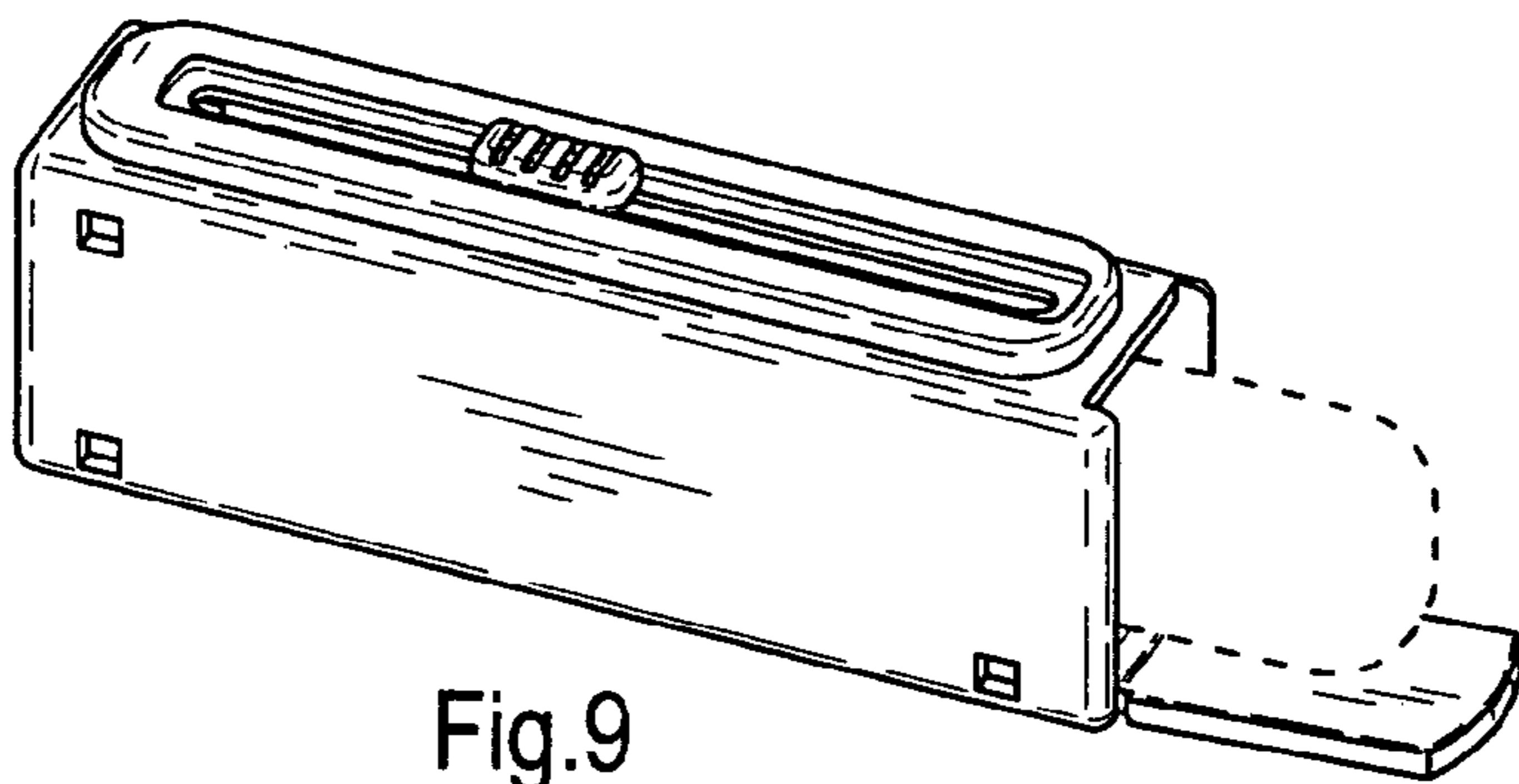


Fig.9

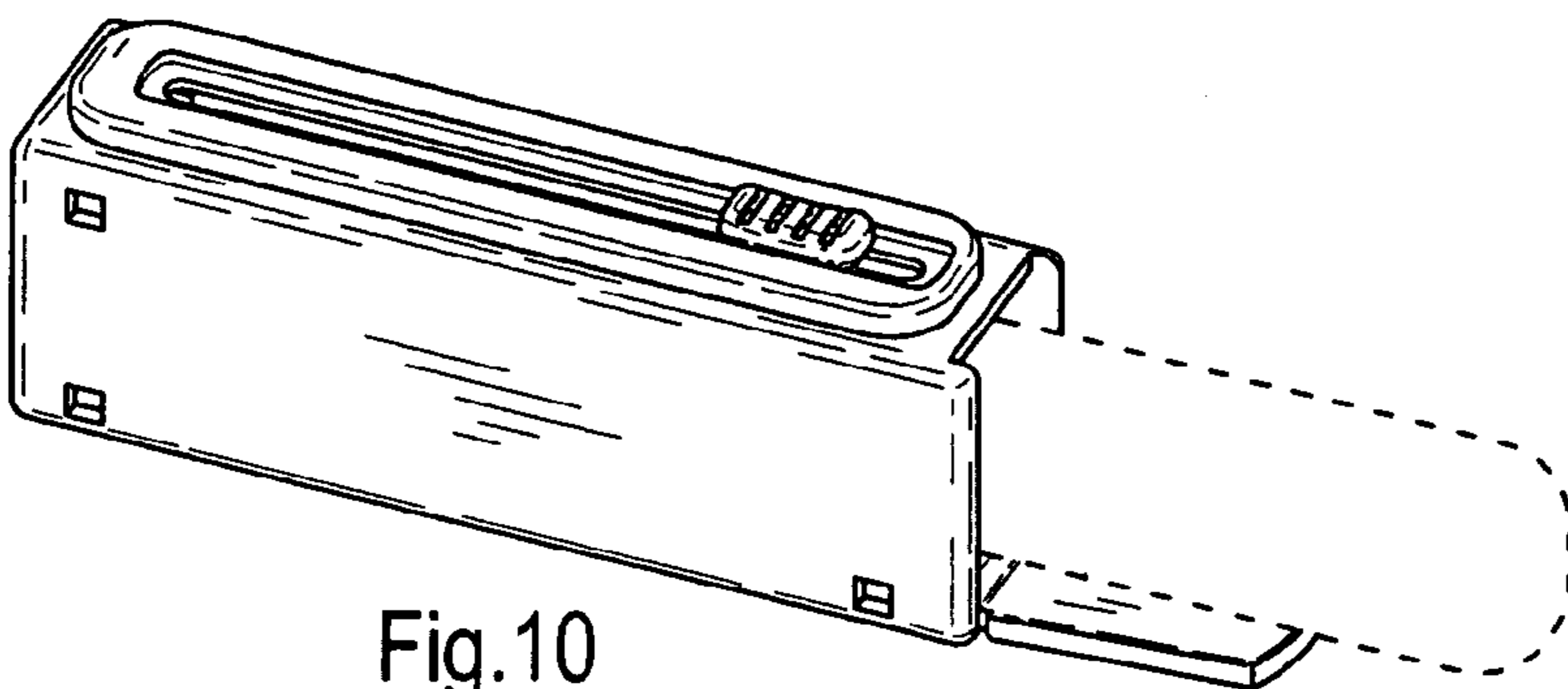


Fig.10