



US00D555511S

(12) **United States Design Patent**
Warmka et al.

(10) **Patent No.:** **US D555,511 S**

(45) **Date of Patent:** **** Nov. 20, 2007**

(54) **LINT CARD PACKAGE**

(75) Inventors: **Bridget K. Warmka**, Oakdale, MN (US); **Scott J. Fuenffinger**, Centerville, MN (US)

(73) Assignee: **3M Innovative Properties Company**, St. Paul, MN (US)

(**) Term: **14 Years**

(21) Appl. No.: **29/250,293**

(22) Filed: **Nov. 9, 2006**

(51) **LOC (8) Cl.** **09-03**

(52) **U.S. Cl.** **D9/722**

(58) **Field of Classification Search** 9/414, 9/415, 420, 433, 457, 715, 722, 732; D19/26, D19/65, 75, 86, 88, 90, 91; D28/9, 12; D4/137, D4/199; 15/104.002; 206/96, 216; 281/15.1, 281/16, 23, 44; 283/45; 428/40.1, 43
See application file for complete search history.

(56) **References Cited**

U.S. PATENT DOCUMENTS

924,275 A	6/1909	Richardson
1,490,529 A	4/1924	Dittgen
1,751,208 A	3/1930	Kappes
2,008,361 A	7/1935	Lindsey
2,085,728 A	7/1937	Clark
2,165,539 A	7/1939	Dahlgren
2,192,472 A	3/1940	Huston
2,192,473 A	3/1940	Huston
2,210,196 A	5/1940	Kerman
2,724,847 A	11/1955	Krasno
2,744,624 A	5/1956	Hoogstoel et al.
2,988,209 A	6/1961	Parrilla
3,082,453 A	3/1963	Mutchler et al.
3,231,918 A	2/1966	Marks

3,881,649 A	5/1975	Krautsack
D250,996 S *	2/1979	Glaser D9/457
D264,820 S *	6/1982	Feibelman D9/457
4,713,274 A	12/1987	Minor
D294,009 S *	2/1988	Lazar D9/715
4,746,018 A	5/1988	Mueller
4,928,814 A	5/1990	Rondot et al.
5,125,211 A	6/1992	O'Brien et al.

(Continued)

FOREIGN PATENT DOCUMENTS

JP 2000-342511 12/2000

Primary Examiner—Stella M. Reid

Assistant Examiner—Shanda C. Hill

(74) *Attorney, Agent, or Firm*—Trisha D. Adamson

(57) **CLAIM**

The ornamental design for a lint card package, as shown and described.

DESCRIPTION

FIG. 1 is a perspective view of a lint card package showing our new design, shown in an open position;

FIG. 2 is a perspective view of the lint card package;

FIG. 3 is a top view of the lint card package of FIG. 2;

FIG. 4 is a bottom view of the lint card package of FIG. 2;

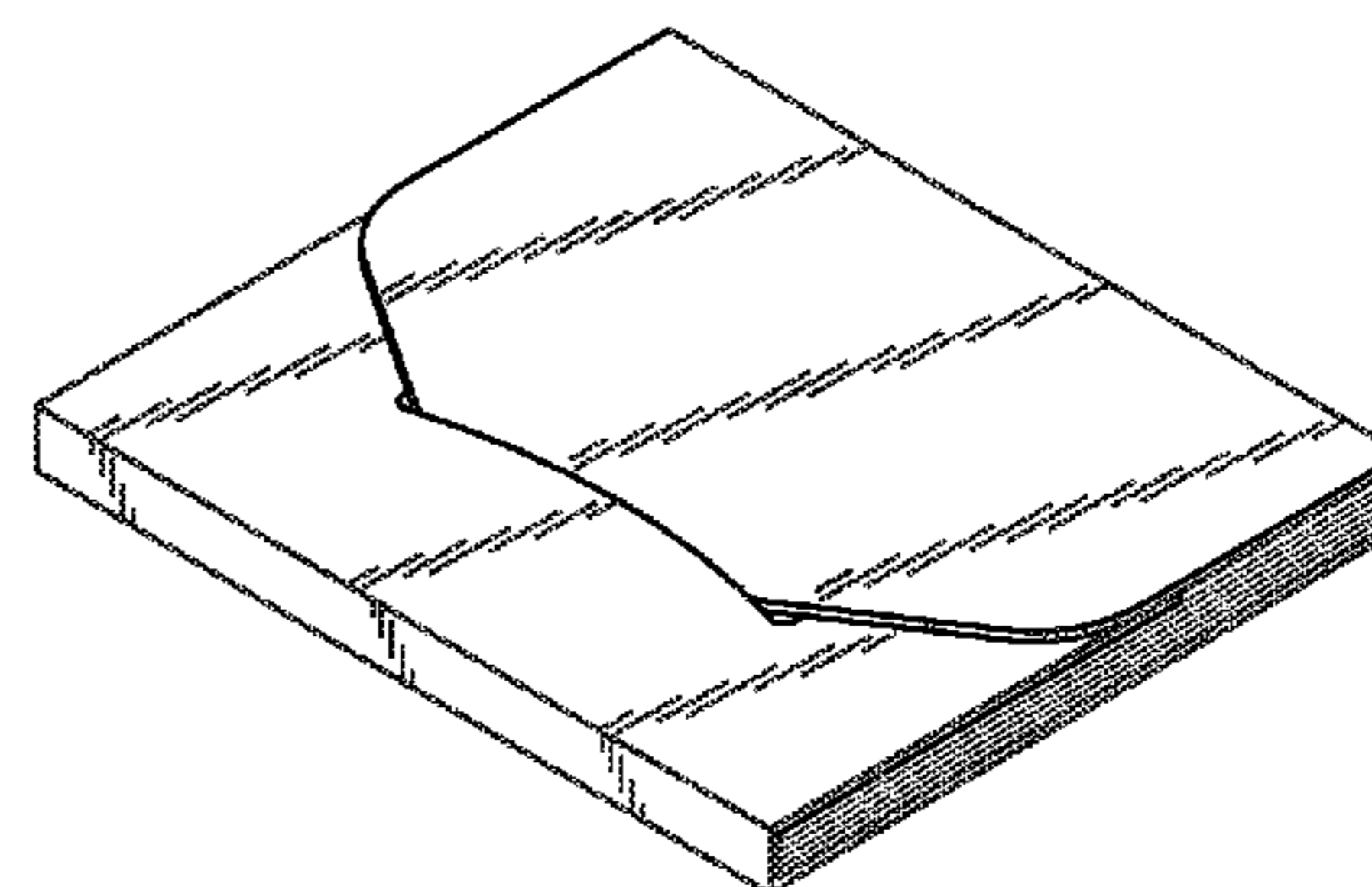
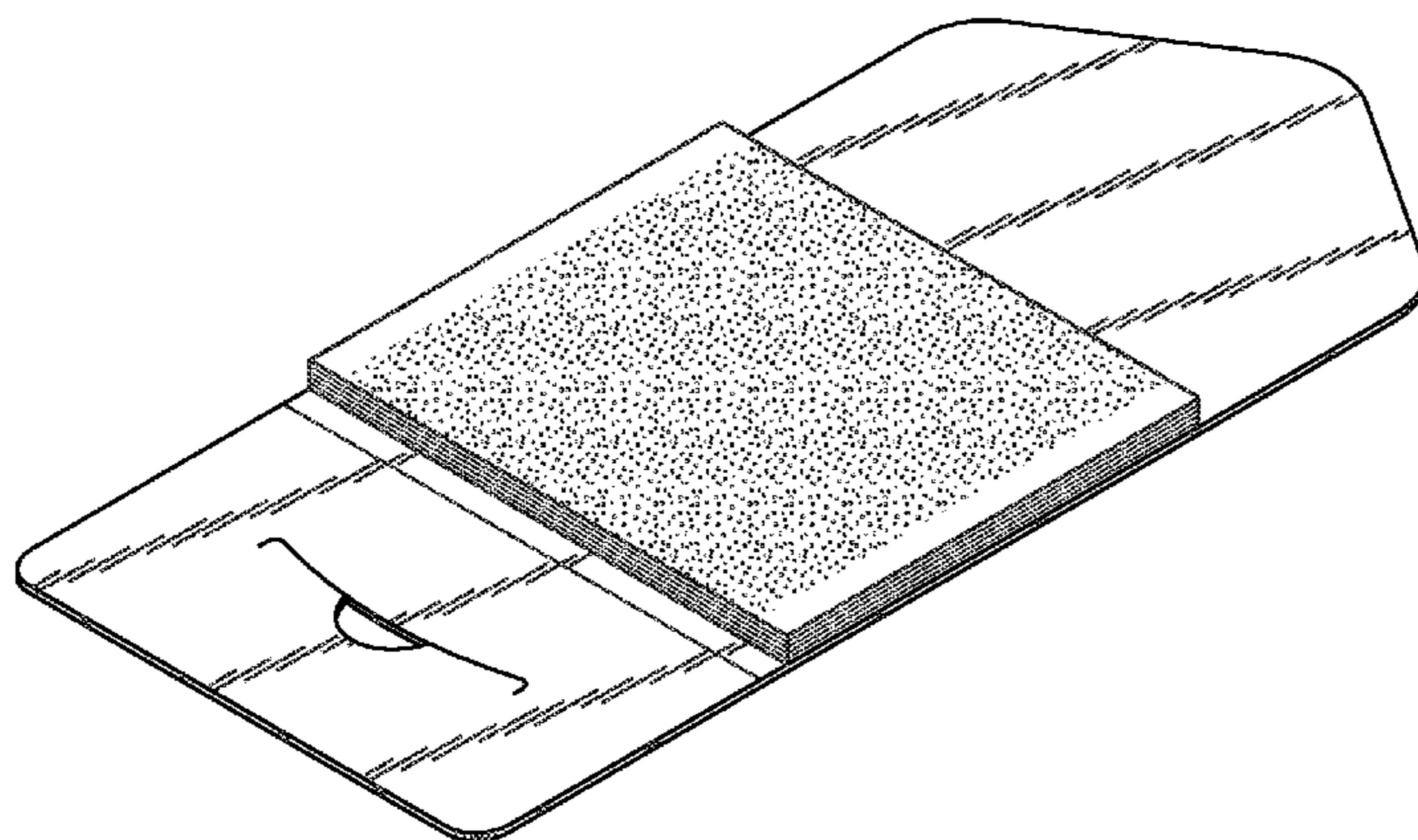
FIG. 5 is a front view of the lint card package of FIG. 2;

FIG. 6 is a rear view of the lint card package of FIG. 2; and,

FIG. 7 is a right side view of the lint card package of FIG. 2, the left side view being a mirror image thereof.

The surface shading illustrated in the drawings is provided merely to highlight the contour design; it is not intended to be illustrative of texture or gloss and forms no part of the claimed design.

1 Claim, 2 Drawing Sheets



US D555,511 S

Page 2

U.S. PATENT DOCUMENTS

5,397,117	A	3/1995	Mertens						
5,411,168	A	5/1995	Mertens et al.						
5,632,378	A	5/1997	Provost						
5,742,969	A	4/1998	Thomas et al.						
5,763,038	A	6/1998	Wood						
5,797,494	A	8/1998	Balling et al.						
5,894,623	A	4/1999	Thill						
5,922,427	A	7/1999	King						
D423,343	S *	4/2000	Smith et al.	D9/715					
6,094,917	A	8/2000	Sundhar et al.						
6,865,765	B2	3/2005	Aalbers						
D511,303	S *	11/2005	Smith et al.	D9/732					
D511,465	S *	11/2005	Smith et al.	D9/732					
7,032,754	B2	4/2006	Kopecky						
D523,473	S *	6/2006	Regala	D19/26					
D524,652	S *	7/2006	Harada et al.	D9/457					
D524,654	S *	7/2006	Harada et al.	D9/457					
D541,647	S *	5/2007	Ashby et al.	D9/415					
D543,102	S *	5/2007	Ashby et al.	D9/415					
D543,110	S *	5/2007	Harada et al.	D9/457					
2002/0157977	A1	10/2002	Reid-Killings et al.						

* cited by examiner

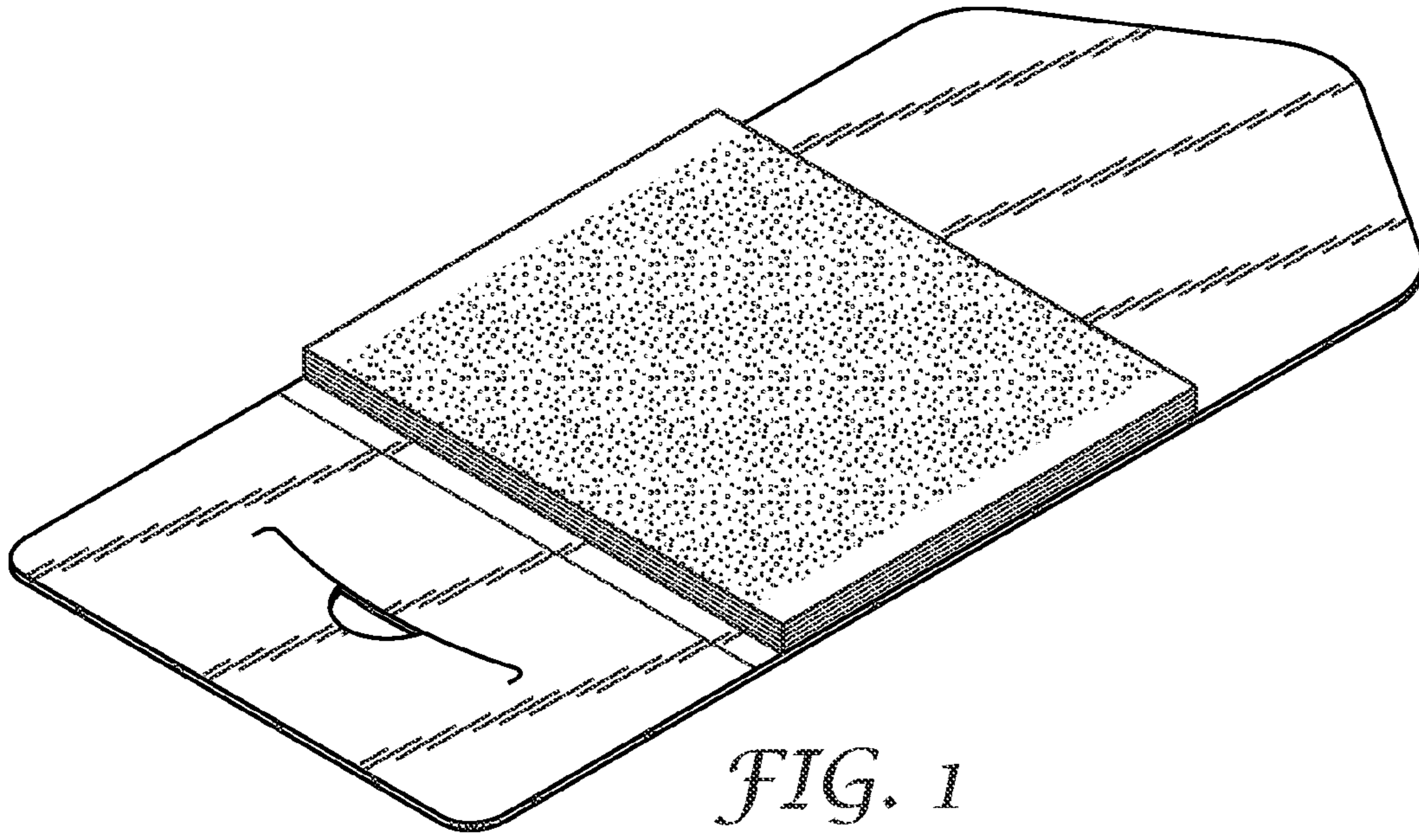


FIG. 1

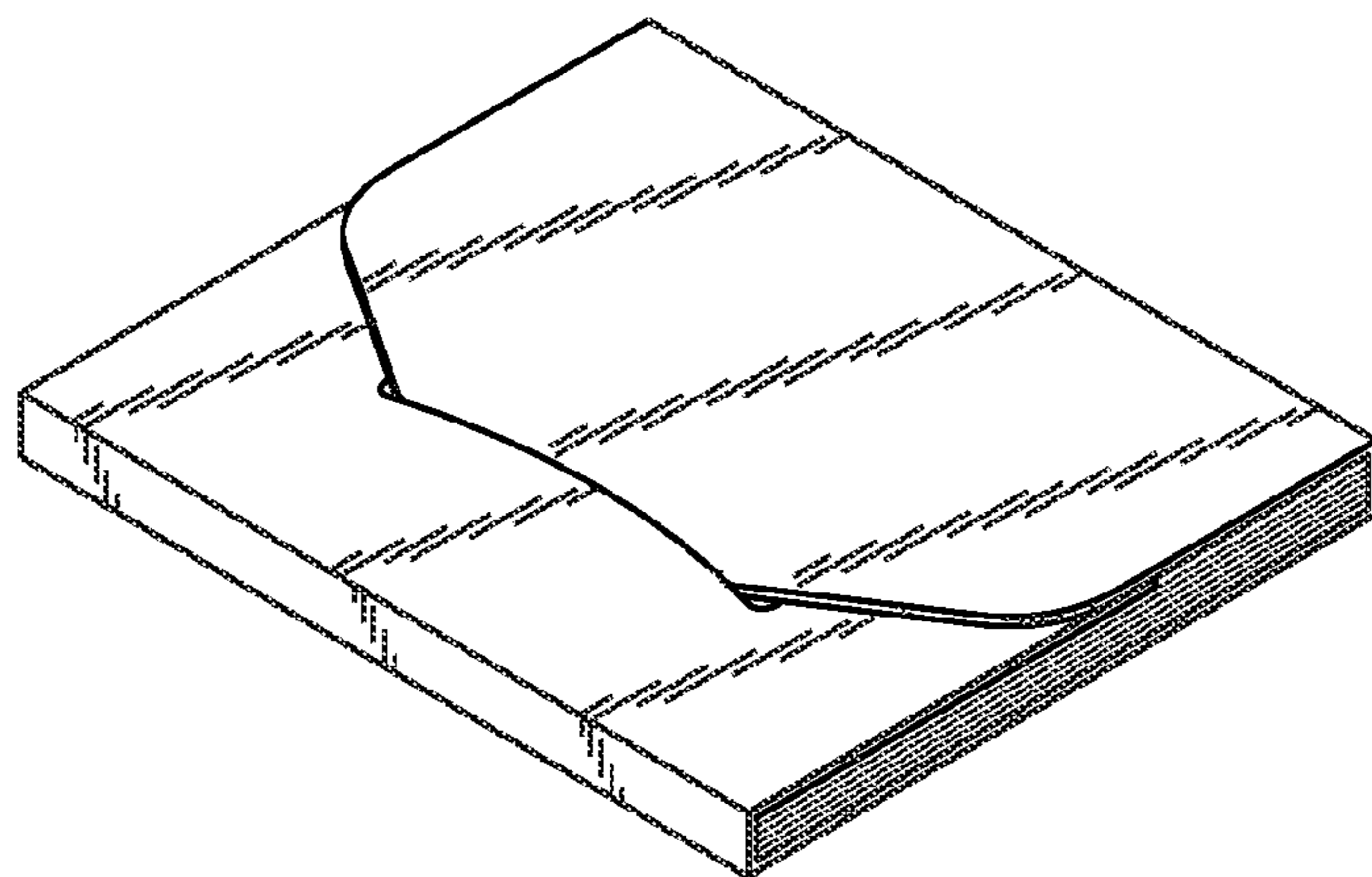


FIG. 2

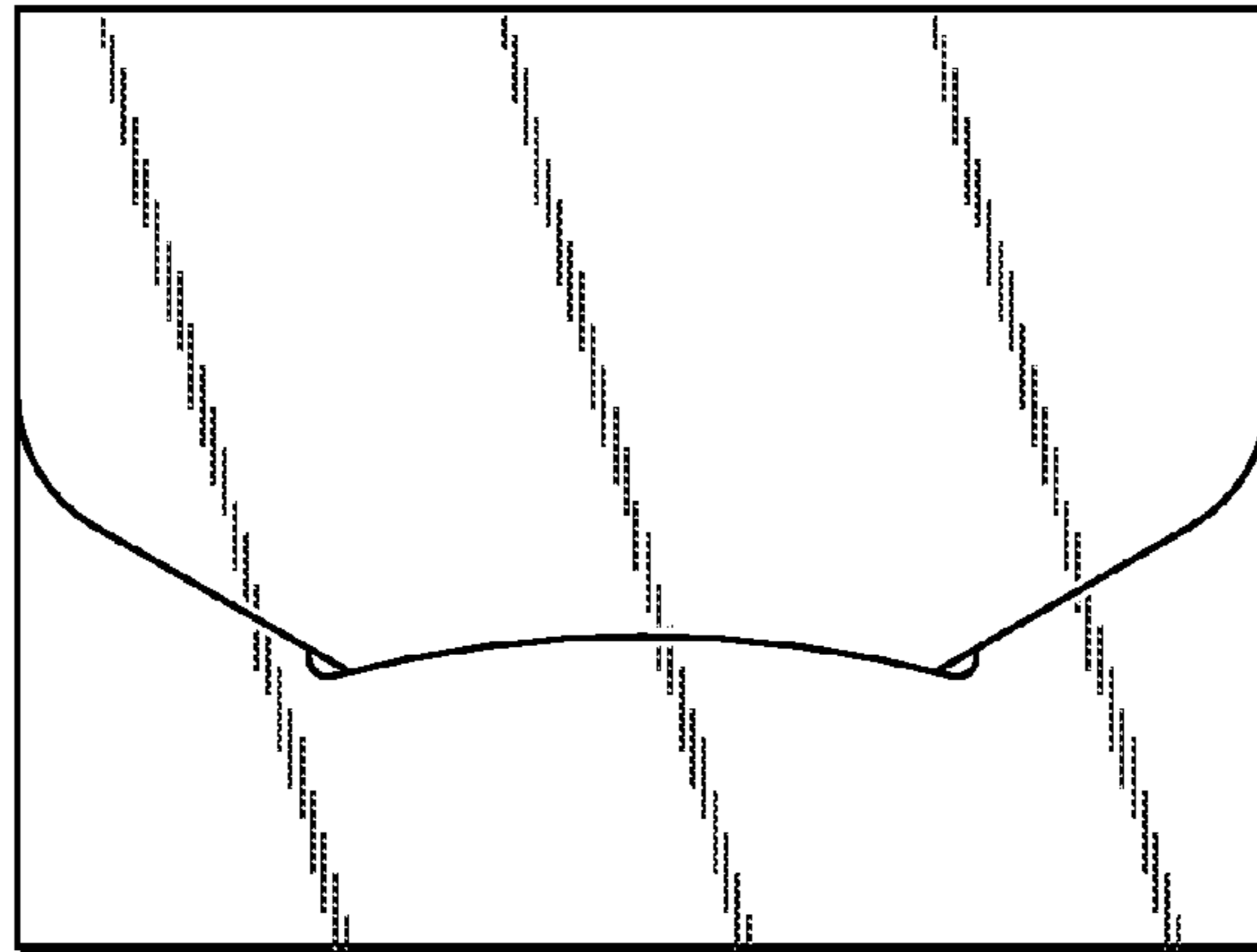


FIG. 3

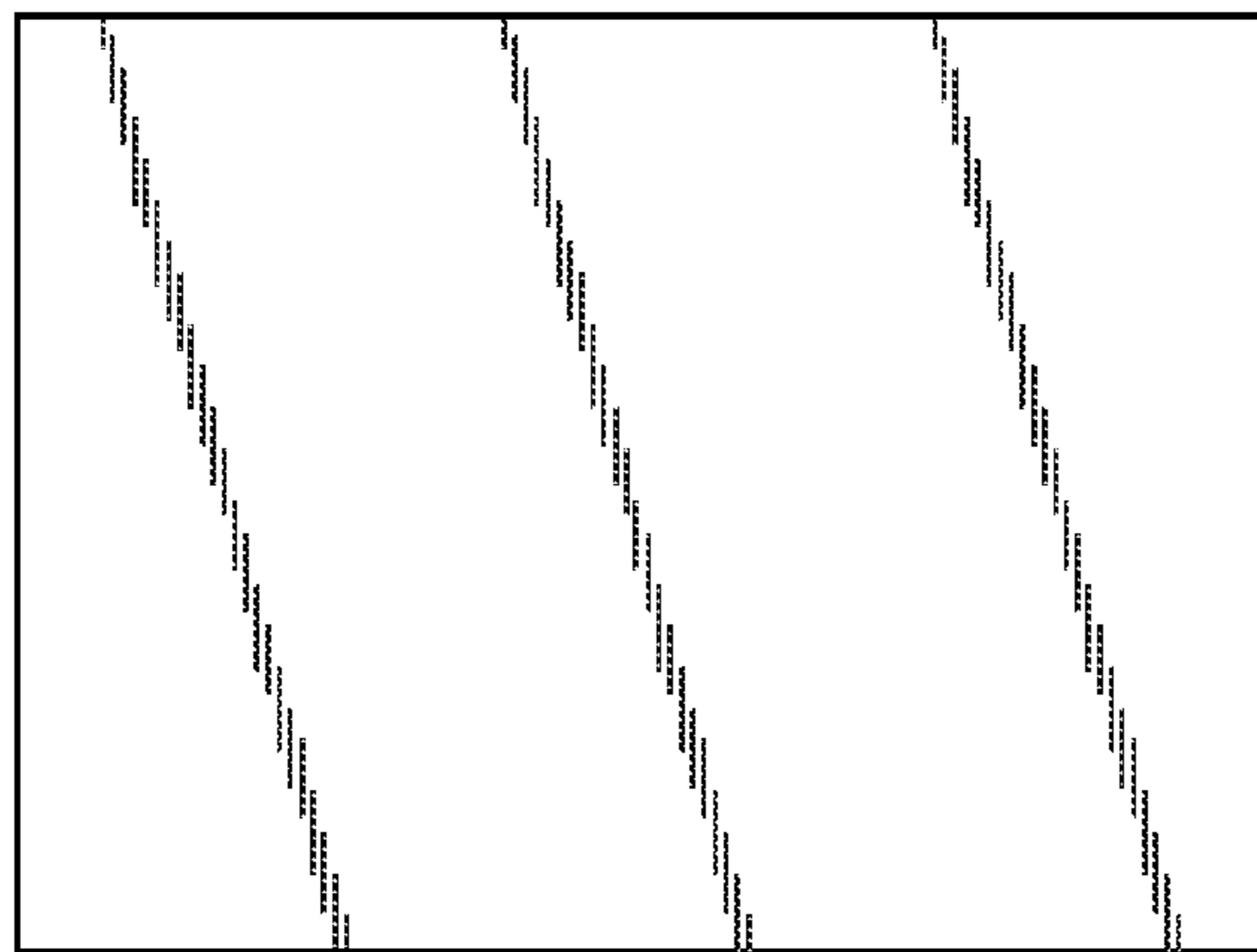


FIG. 4



FIG. 5



FIG. 7



FIG. 6