



US00D555505S

(12) **United States Design Patent**
Brandt

(10) **Patent No.:** **US D555,505 S**

(45) **Date of Patent:** **** Nov. 20, 2007**

(54) **BOTTLE**

(75) Inventor: **Andrea Brandt**, Hamburg (DE)

(73) Assignee: **The Procter & Gamble Company**,
Cincinnati, OH (US)

(**) Term: **14 Years**

(21) Appl. No.: **29/257,825**

(22) Filed: **Apr. 11, 2006**

(30) **Foreign Application Priority Data**

Oct. 14, 2005 (EM) 000415567

(51) **LOC (8) Cl.** **09-01**

(52) **U.S. Cl.** **D9/688**

(58) **Field of Classification Search** D9/688,
D9/501, 504, 529, 682, 686-691; D28/7,
D28/76, 91.1; 222/321.3, 321.7, 383.1, 556
See application file for complete search history.

(56) **References Cited**

U.S. PATENT DOCUMENTS

- D306,826 S * 3/1990 Bormioli D9/504
- D320,469 S * 10/1991 Hoenig D28/7
- D392,192 S * 3/1998 Fiore D9/529

- D399,130 S * 10/1998 Monaghan D9/686
- D474,974 S * 5/2003 Bakic D9/504
- D499,648 S * 12/2004 Lewis et al. D9/501
- D509,434 S * 9/2005 Haruta D9/504
- D532,937 S * 11/2006 Noh D28/76

* cited by examiner

Primary Examiner—Stella Reid

Assistant Examiner—Rashida C. McCoy

(74) *Attorney, Agent, or Firm*—Kenya T. Pierre; Andrew J. Hagerty; Brian M. Bolam

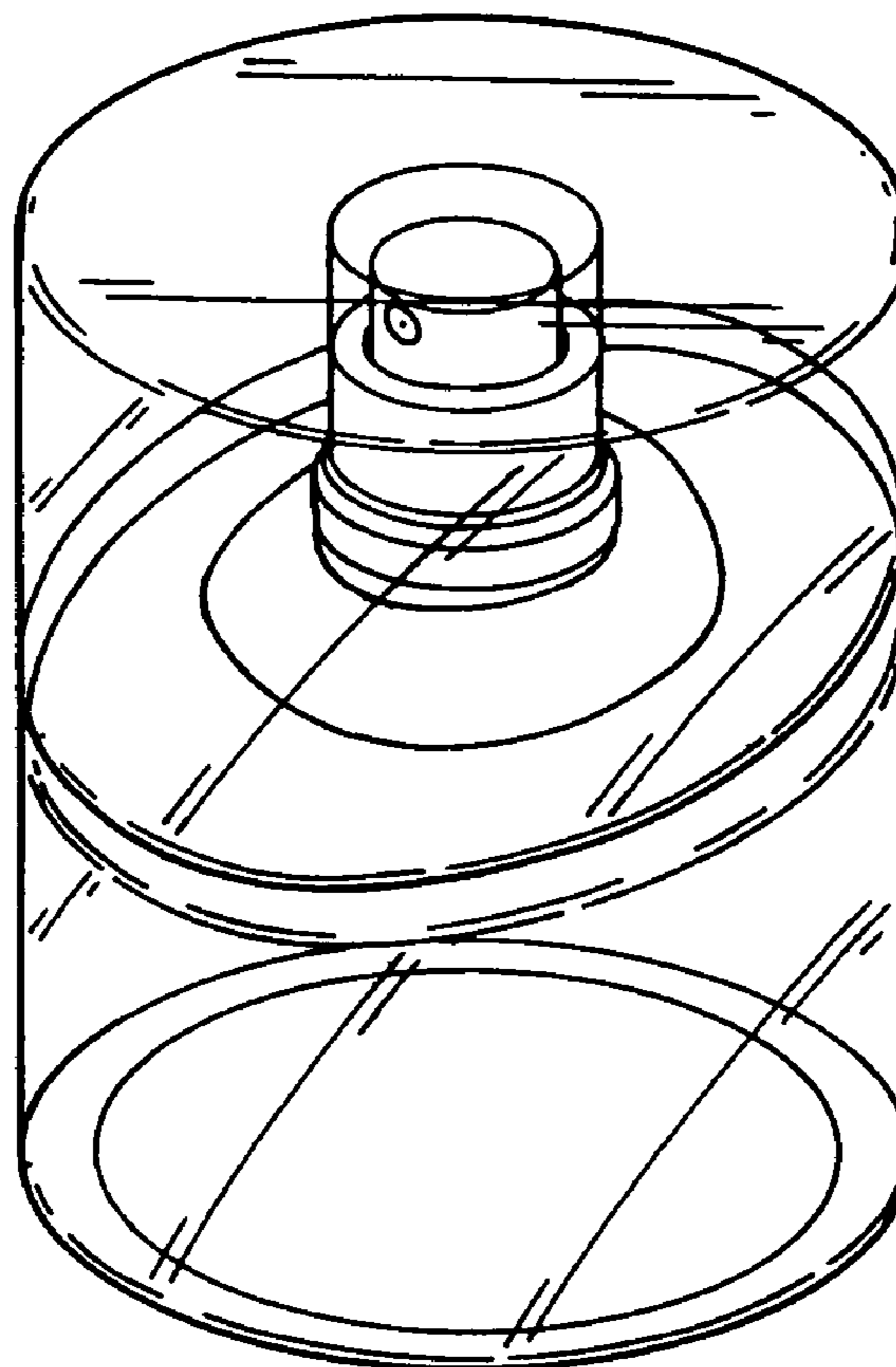
(57) **CLAIM**

The ornamental design for a bottle, as shown and described.

DESCRIPTION

FIG. 1 is a perspective view of the bottle of FIG. 1;
 FIG. 2 is a front elevational view of a bottle;
 FIG. 3 is a rear elevational view of the bottle of FIG. 1;
 FIG. 4 is a left side elevational view of the bottle of FIG. 1;
 FIG. 5 is a right side elevational view of the bottle of FIG. 1;
 FIG. 6 is a top plan view of the bottle of FIG. 1; and,
 FIG. 7 is a bottom plan view of the bottle of FIG. 1.

1 Claim, 3 Drawing Sheets



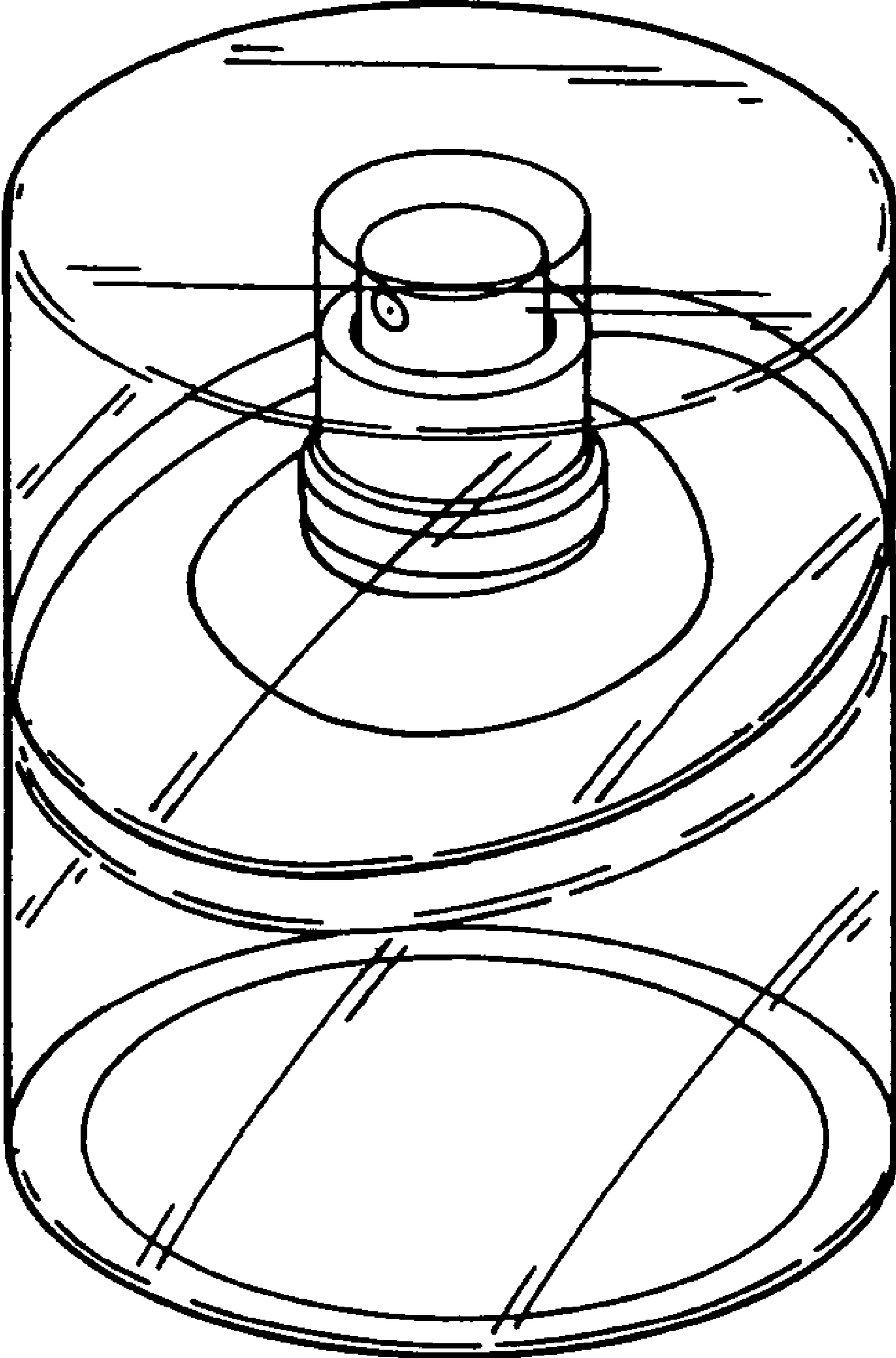


Fig. 1.

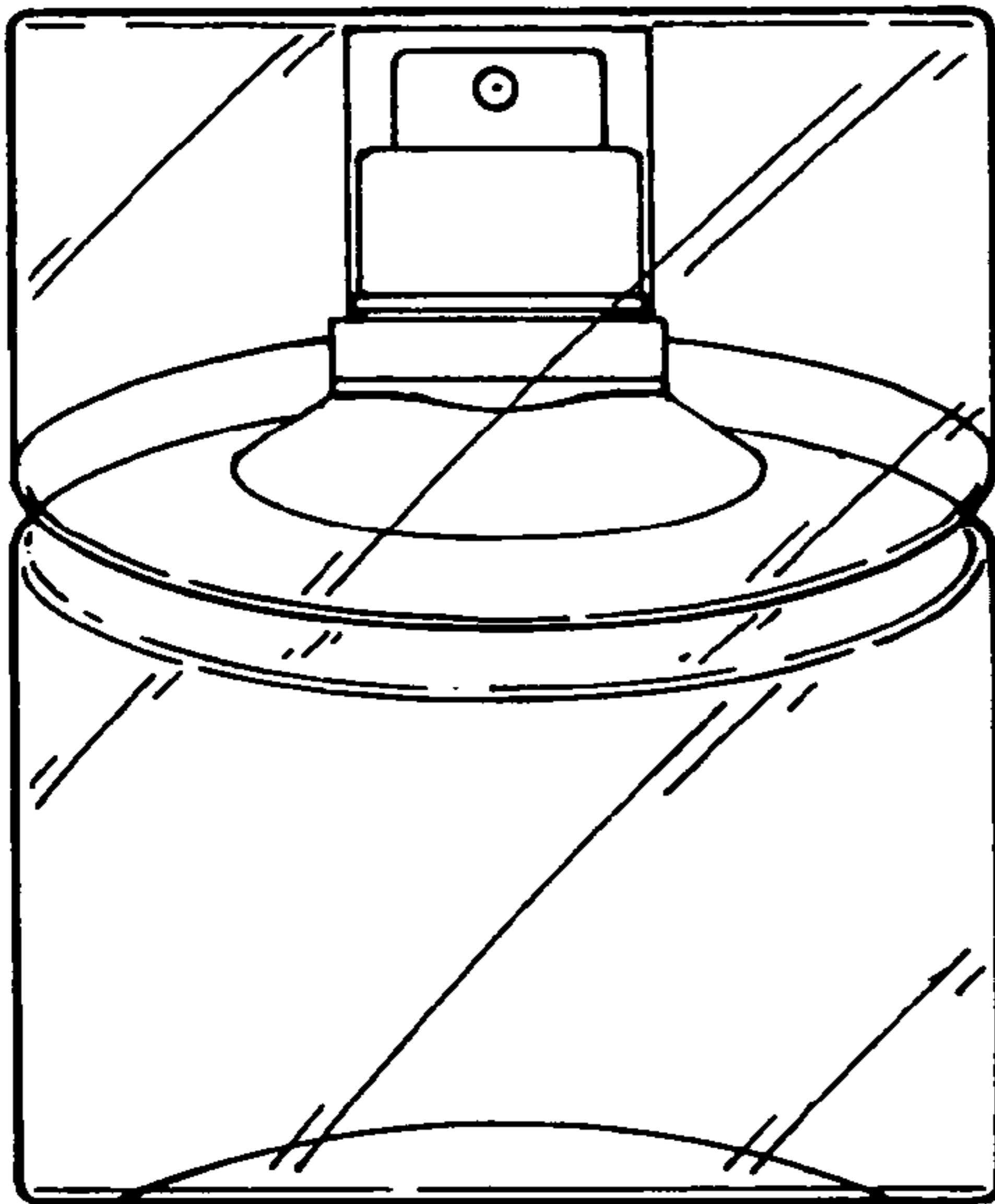


Fig.2.

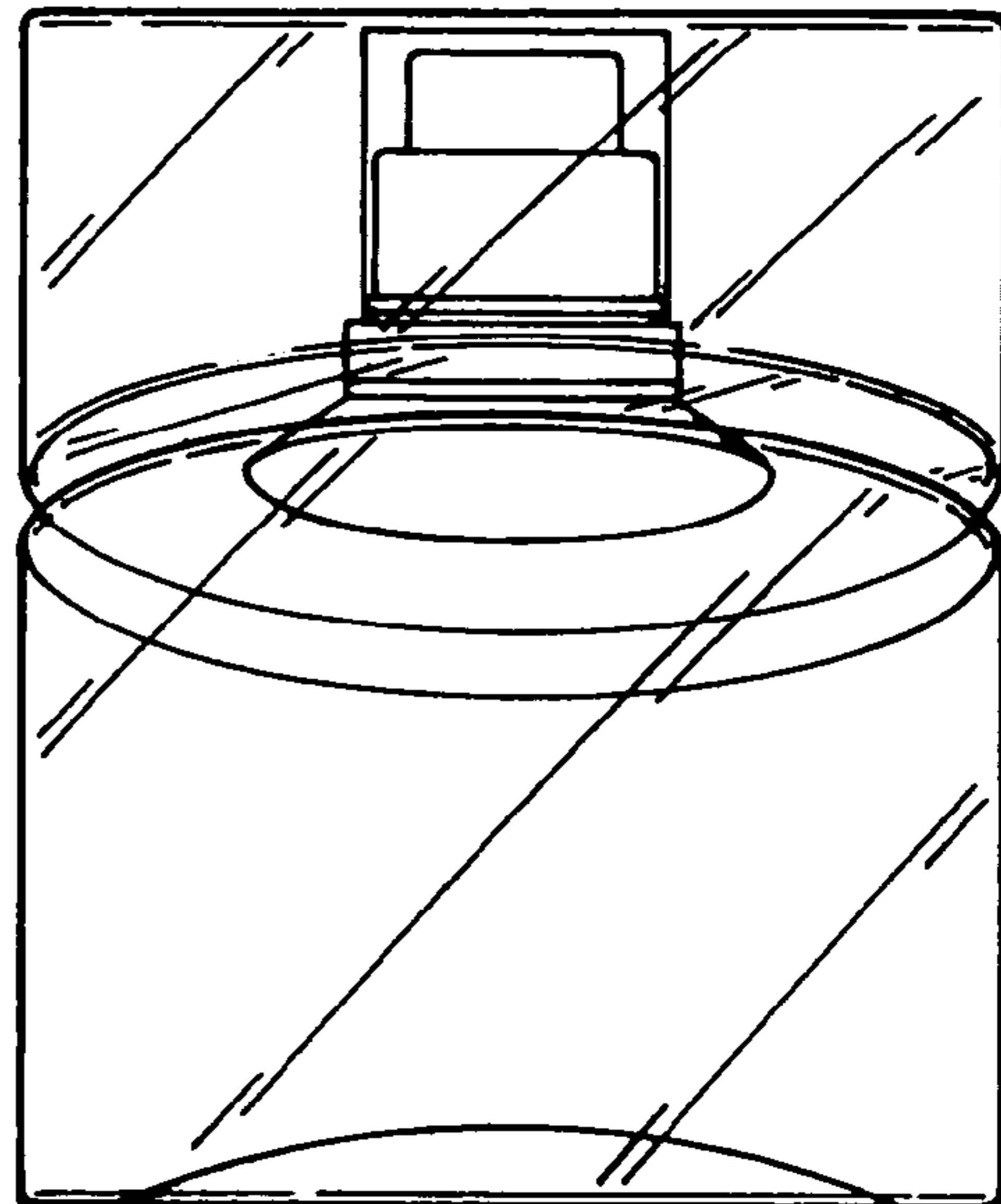


Fig.3.

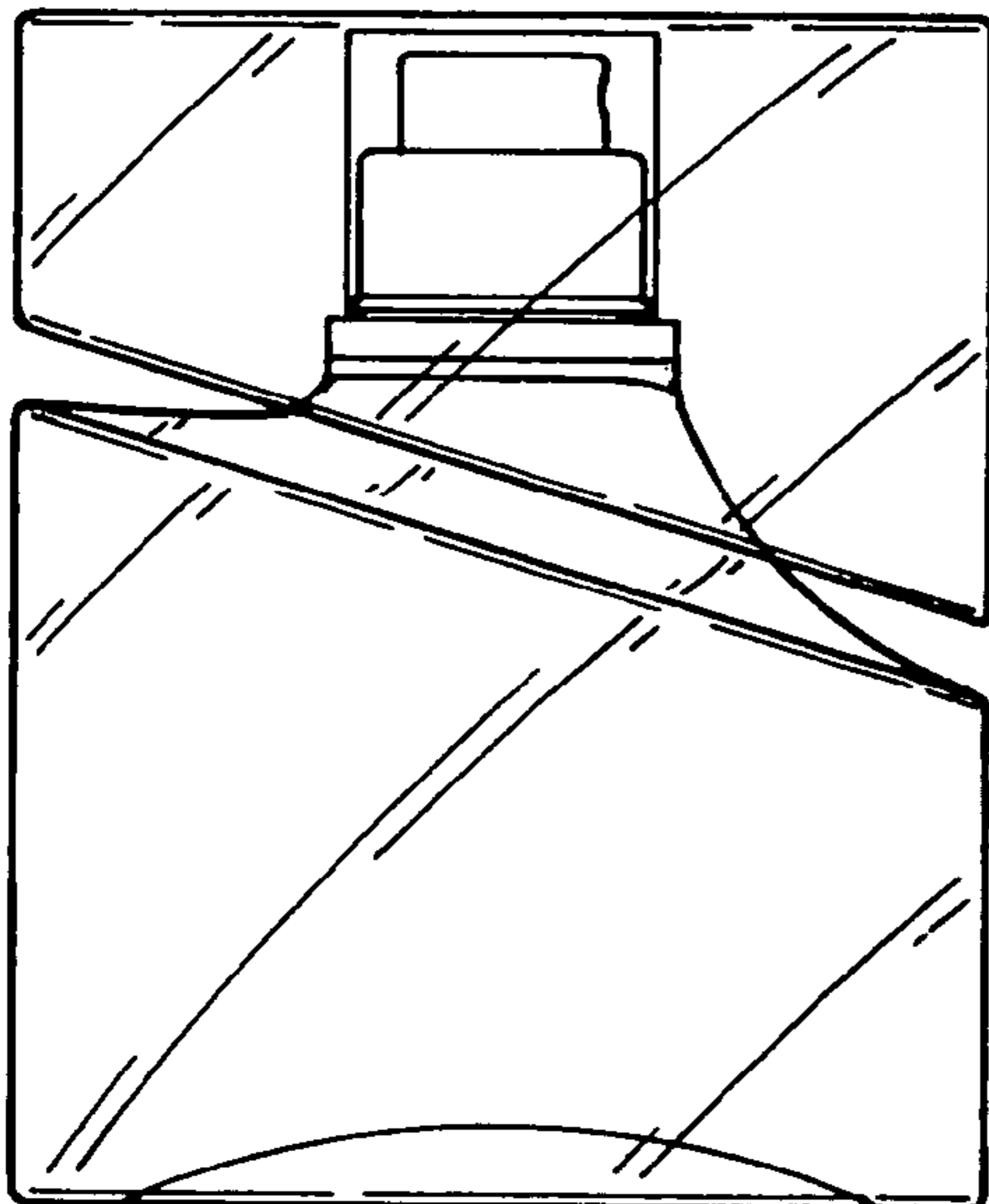


Fig.4.

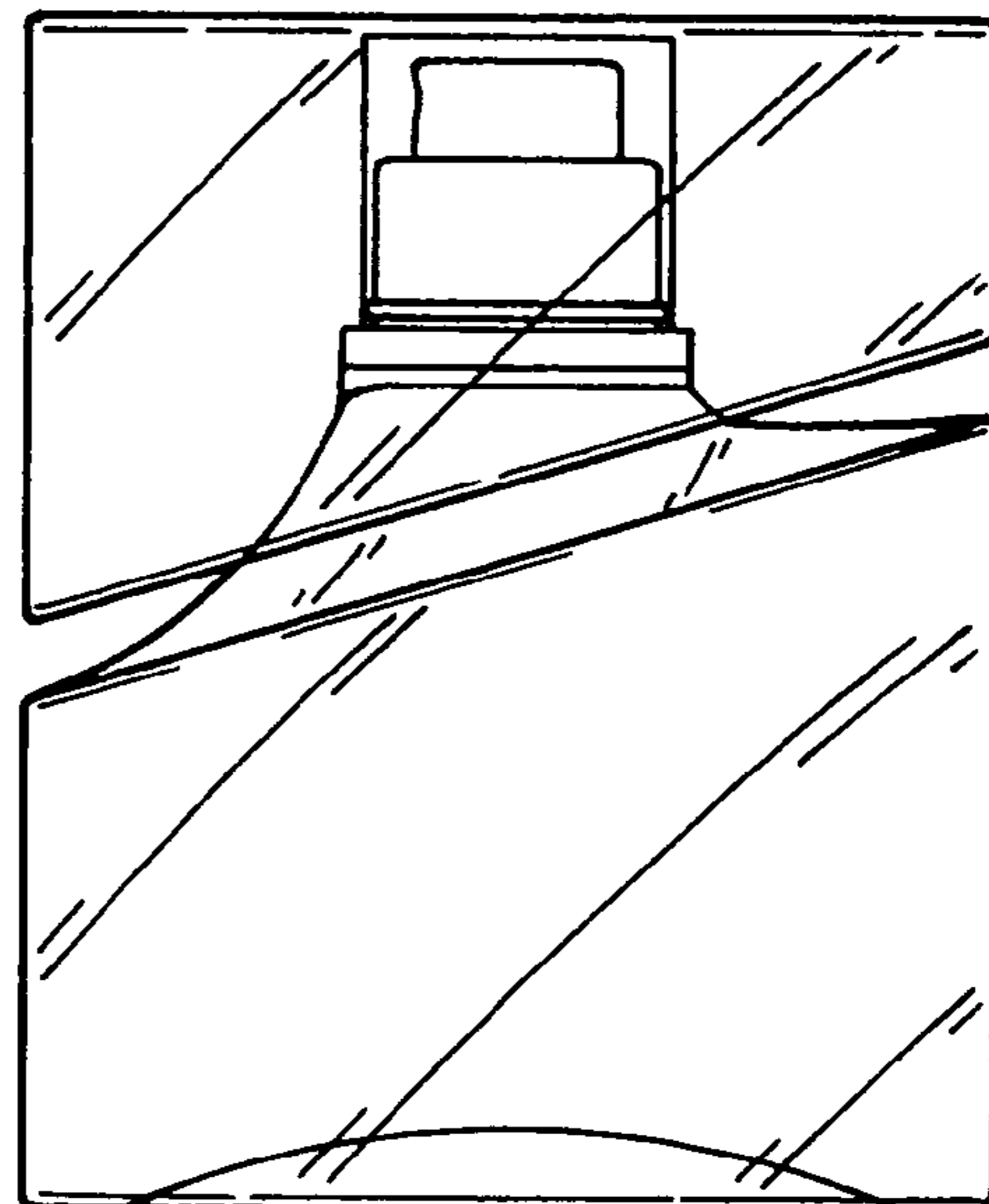


Fig.5.

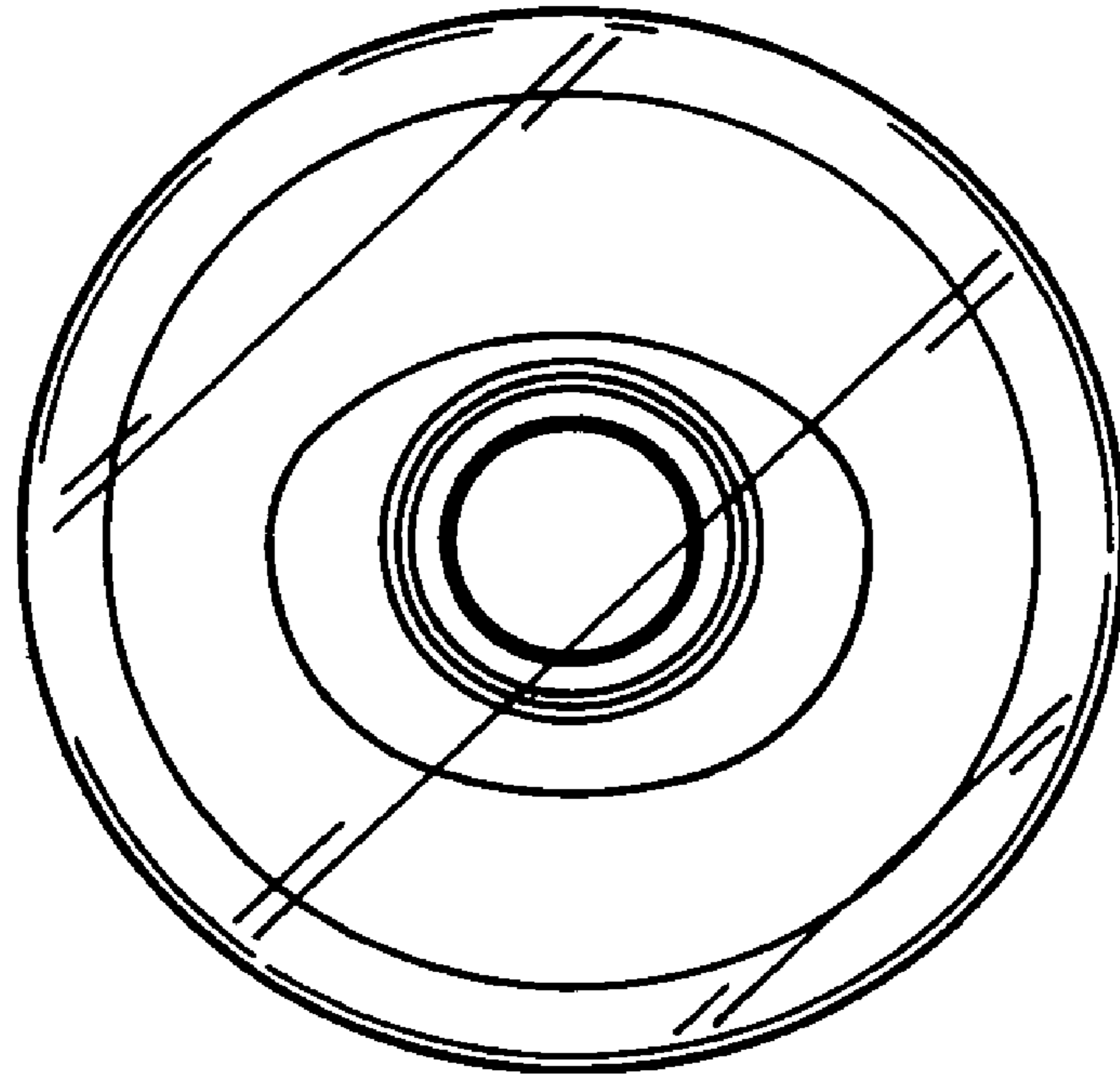


Fig.6.

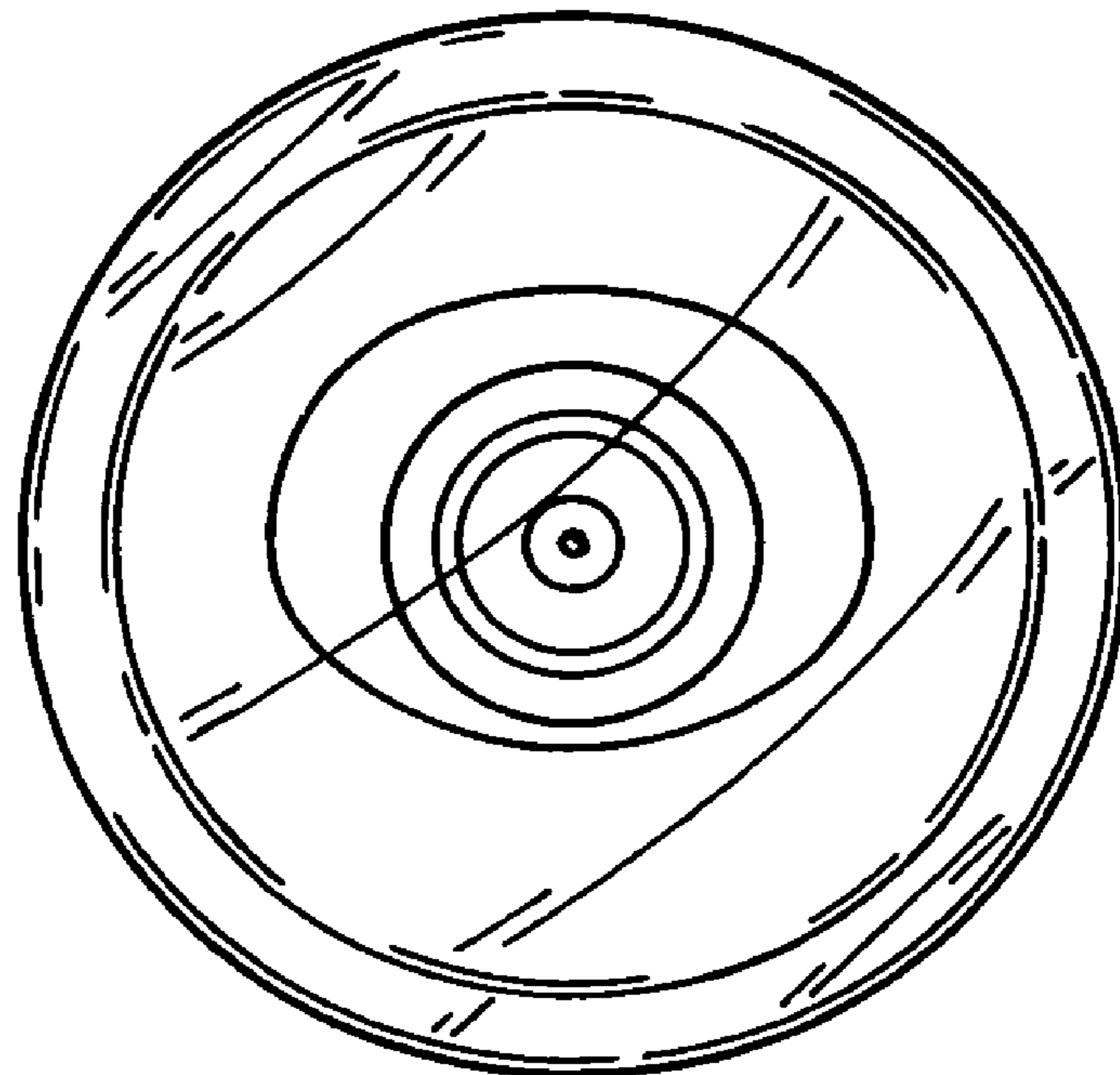


Fig.7.