



US00D555500S

(12) **United States Design Patent**
Johnston et al.

(10) **Patent No.:** **US D555,500 S**

(45) **Date of Patent:** **** Nov. 20, 2007**

(54) **CONTAINER**

(75) Inventors: **Richard Johnston**, Toledo, OH (US);
Joseph Labadie, Perrysburg, OH (US)

(73) Assignee: **Graham Packaging Company L.P.**,
York, PA (US)

(**) Term: **14 Years**

(21) Appl. No.: **29/261,324**

(22) Filed: **Jun. 13, 2006**

(51) **LOC (8) Cl.** **09-01**

(52) **U.S. Cl.** **D9/563; D9/571; D9/574**

(58) **Field of Classification Search** D9/516,
D9/520, 549-552, 554, 558-561, 563-565,
D9/567, 571, 574; 215/379-385; 220/660-662,
220/669, 675

See application file for complete search history.

(56) **References Cited**

U.S. PATENT DOCUMENTS

- D290,342 S * 6/1987 Lyons D9/571
- D293,210 S * 12/1987 Conrad D9/574
- D310,964 S * 10/1990 Weckman D9/542
- D352,461 S * 11/1994 Flanagan et al. D9/542
- D369,979 S * 5/1996 Krampe et al. D9/542
- D405,000 S * 2/1999 Mikol et al. D9/670

- D427,914 S * 7/2000 Croft et al. D9/542
- D516,435 S * 3/2006 Barraclough D9/682
- D536,619 S * 2/2007 Heisner D9/541

* cited by examiner

Primary Examiner—Ian Simmons

Assistant Examiner—Dana L Sipos

(74) *Attorney, Agent, or Firm*—Knoble Yoshida & Dunleavy
LLC

(57) **CLAIM**

The ornamental design for a container, as shown and described.

DESCRIPTION

FIG. 1 is a top, front, right side perspective view of a container according to the present invention;

FIG. 2 is a front elevational view thereof, the rear elevational view being identical;

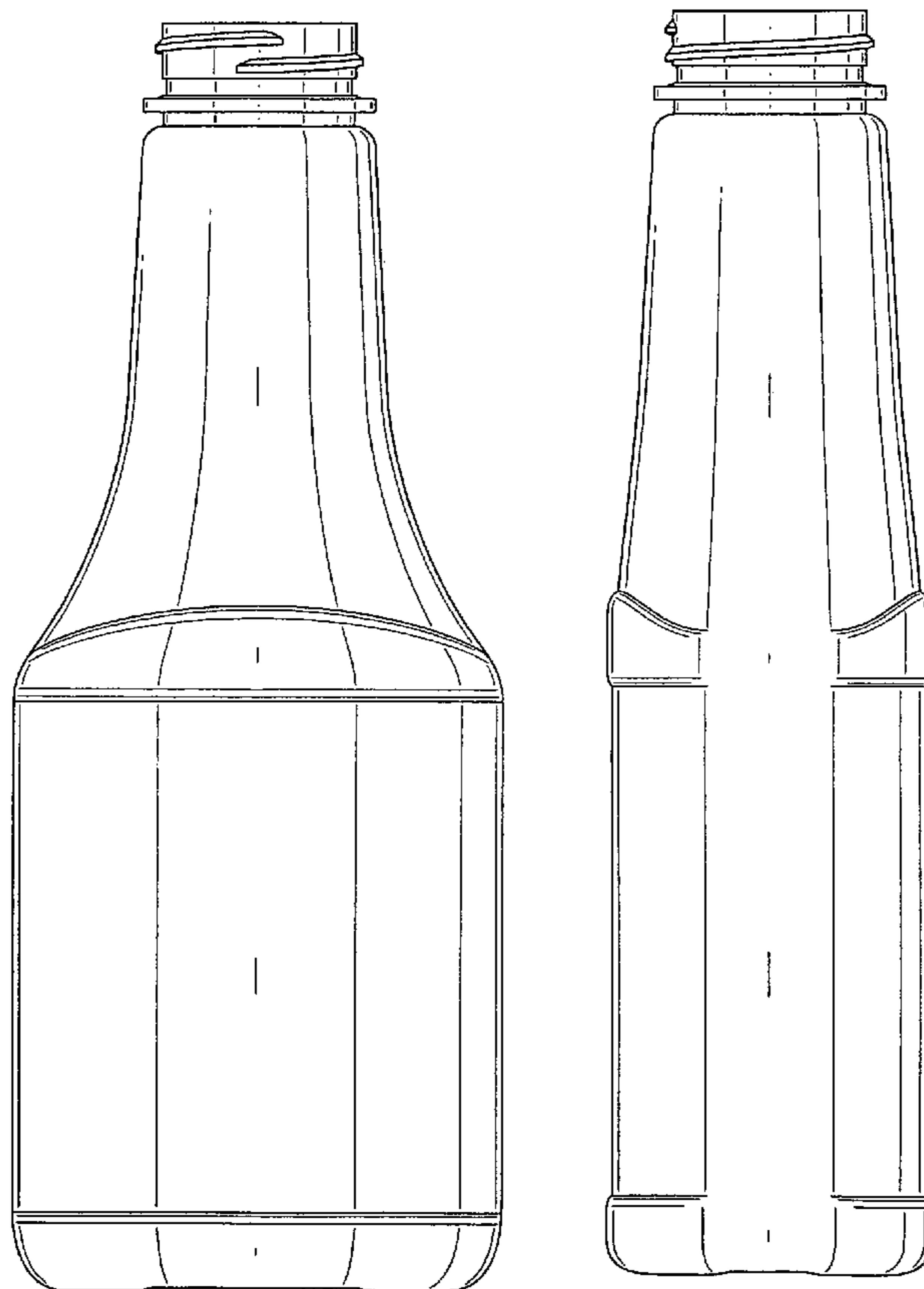
FIG. 3 is a right side elevational view thereof, the left side elevational view being identical;

FIG. 4 is a top plan view thereof; and,

FIG. 5 is a bottom plan view thereof.

The broken dot-dash line(s) define the bounds of the claim and form no part thereof.

1 Claim, 4 Drawing Sheets



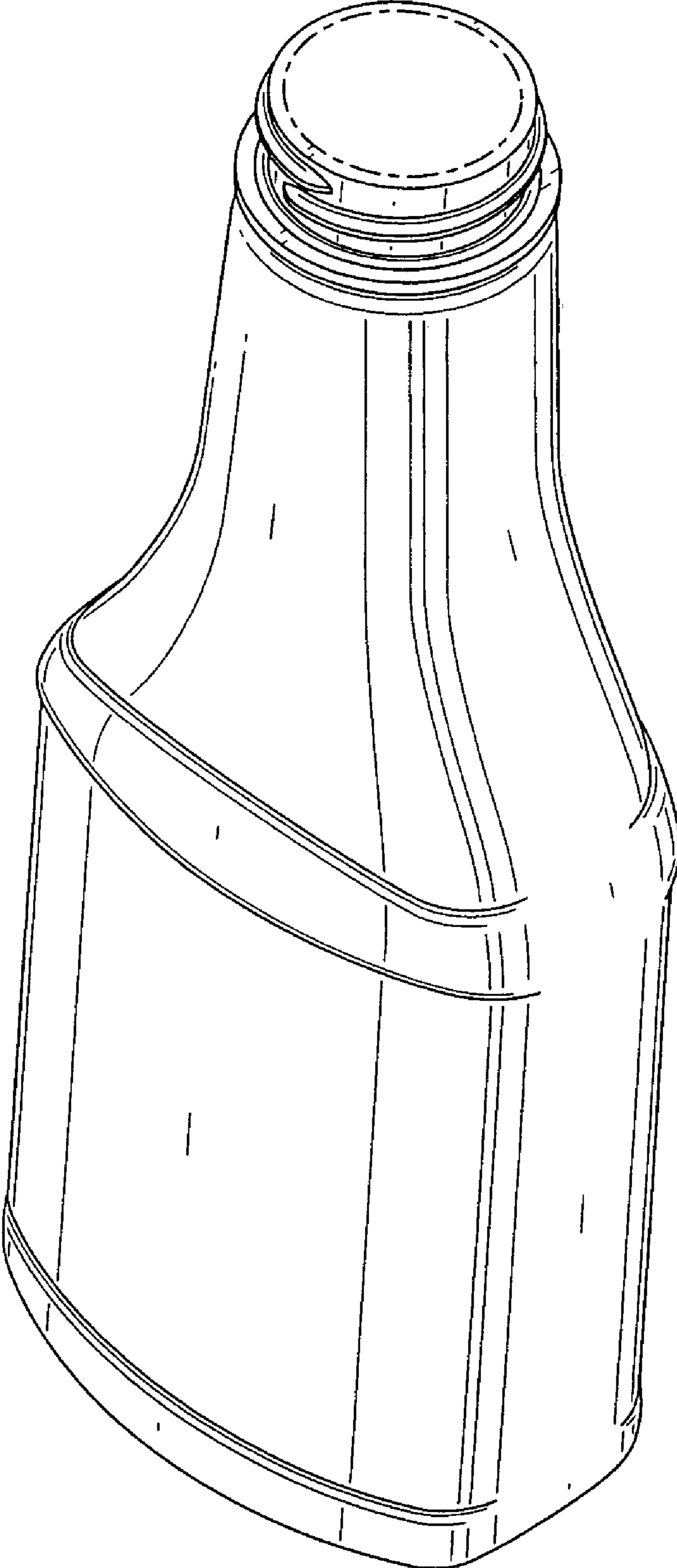


FIG. 1

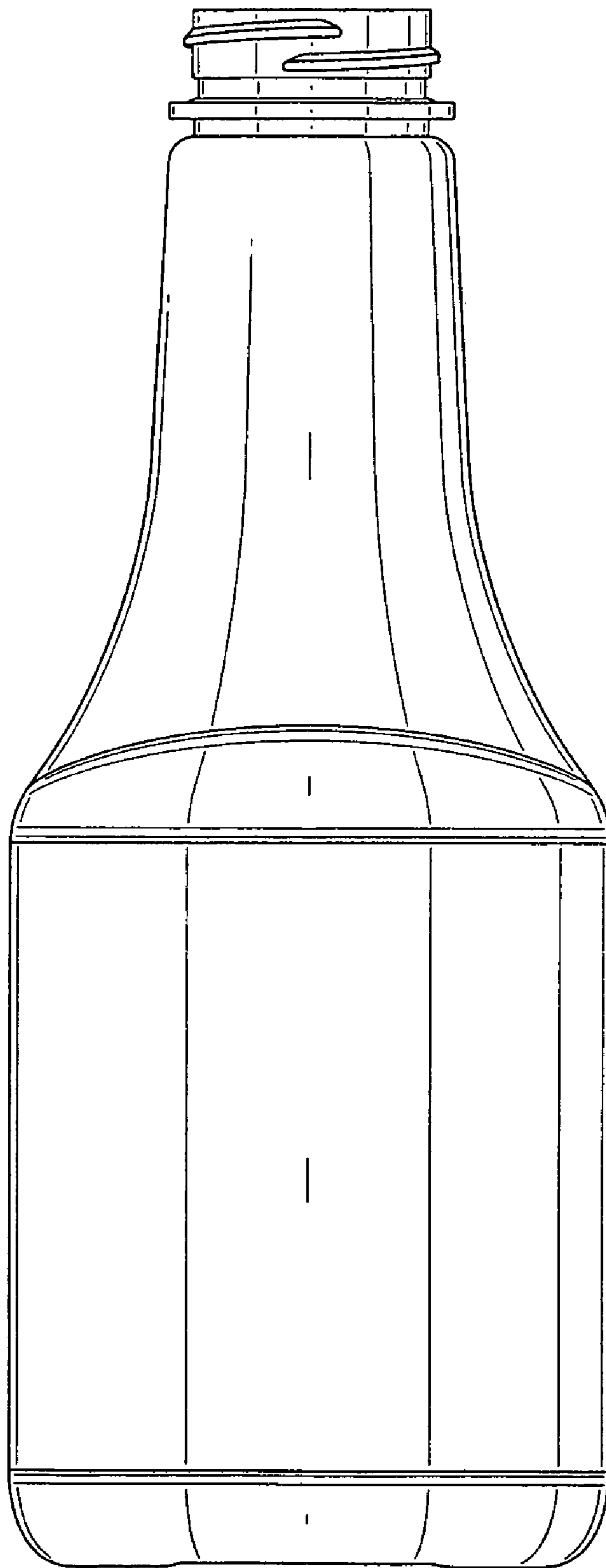


FIG. 2

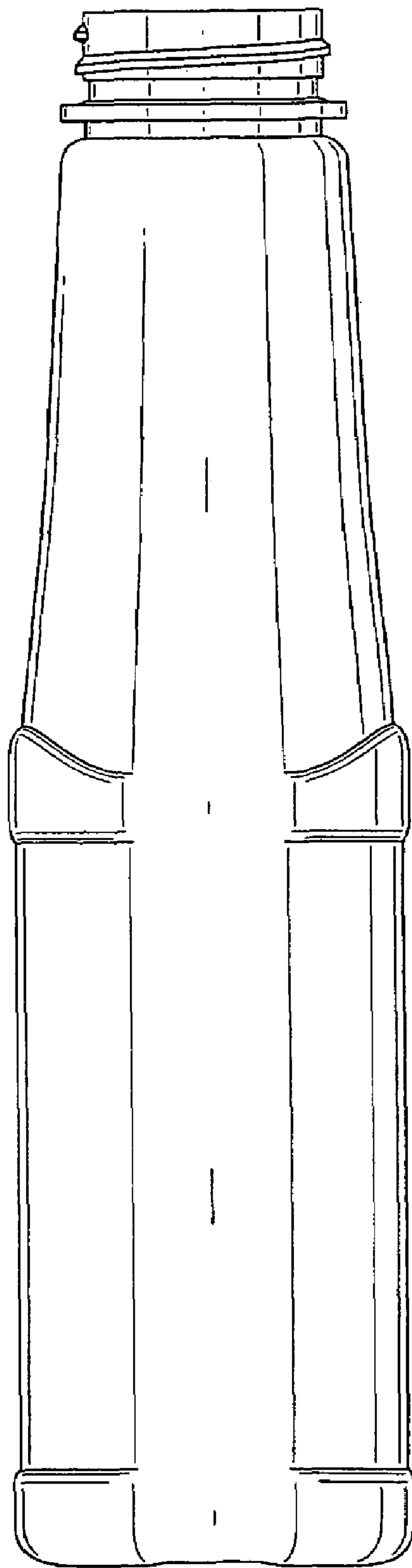


FIG. 3

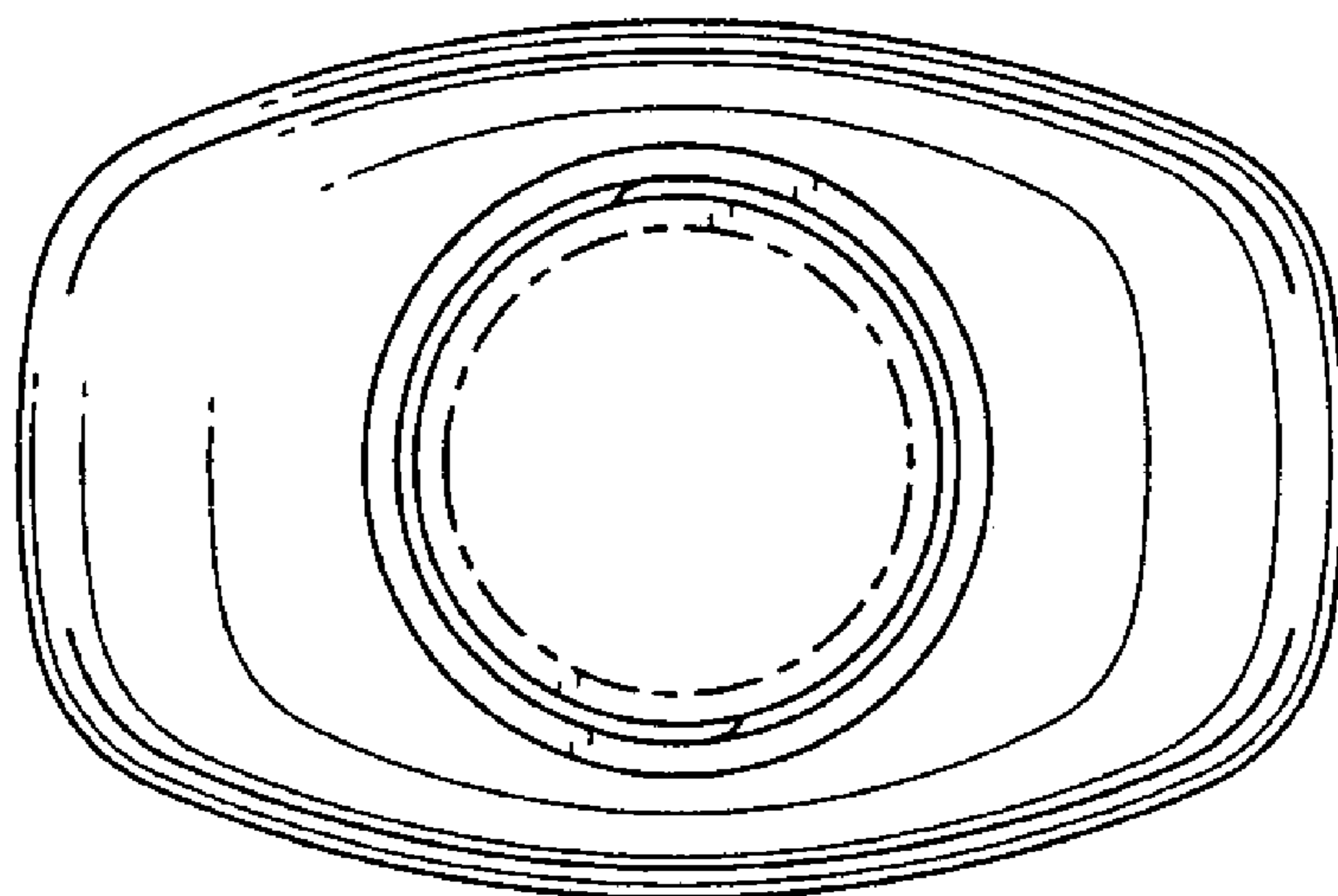


FIG. 4

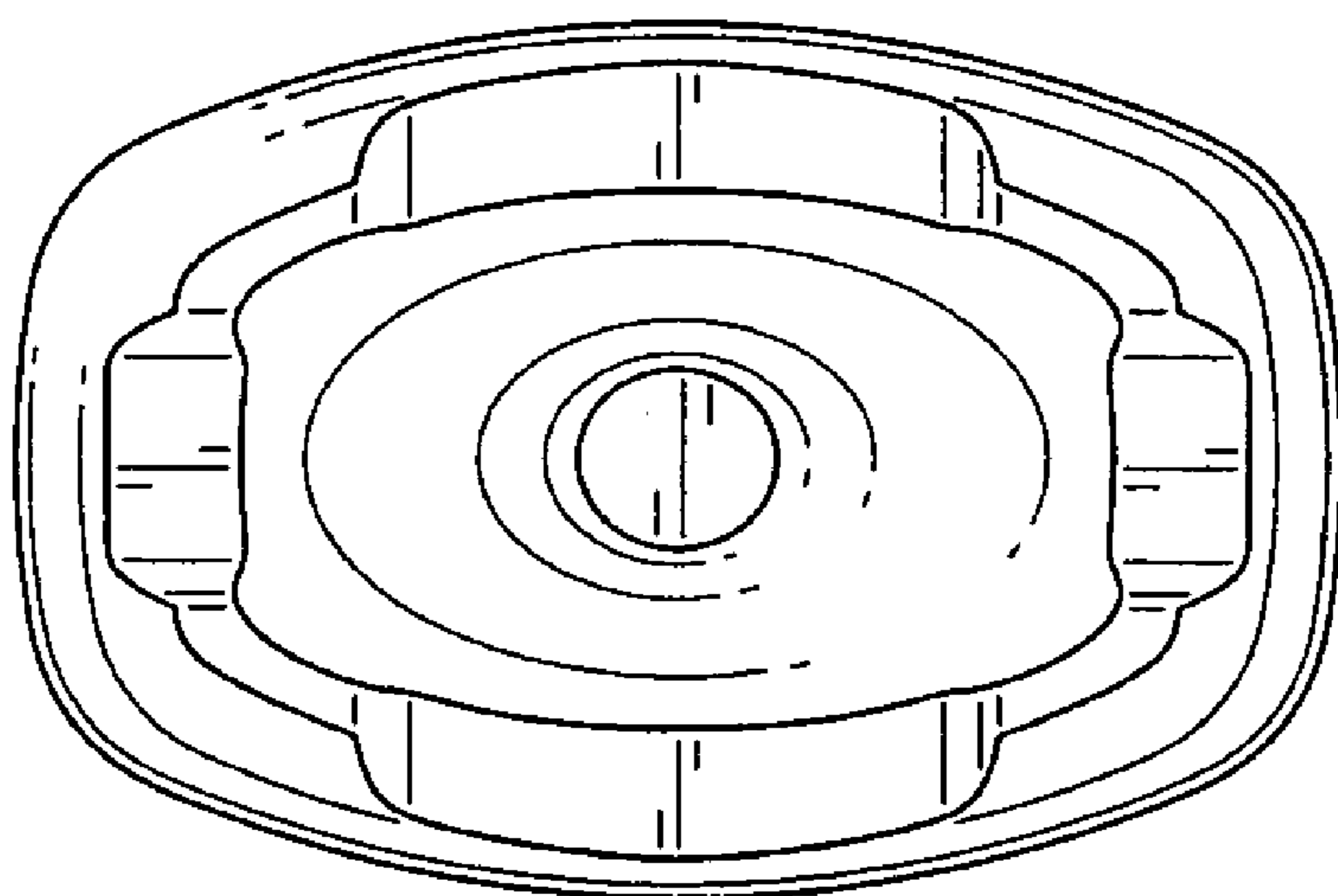


FIG. 5