



US00D555499S

(12) **United States Design Patent** (10) **Patent No.:** **US D555,499 S**  
**Ross** (45) **Date of Patent:** **\*\* Nov. 20, 2007**

(54) **CONTAINER LABEL PANEL**  
(75) Inventor: **John R Ross**, Westminster, CO (US)  
(73) Assignee: **Ball Corporation**, Broomfield, CO (US)  
(\*\*) Term: **14 Years**  
(21) Appl. No.: **29/262,485**  
(22) Filed: **Jul. 3, 2006**  
(51) **LOC (8) Cl.** ..... **09-01**  
(52) **U.S. Cl.** ..... **D9/558; D9/549**  
(58) **Field of Classification Search** ..... D9/516, D9/517, 530, 537, 538, 539, 540, 541, 549, D9/551, 553, 556, 557, 558; D7/606, 607, D7/608; 220/660, 662, 669, 670; 215/379, 215/381-385

See application file for complete search history.

(56) **References Cited**

**U.S. PATENT DOCUMENTS**

- 4,497,855 A 2/1985 Agrawal et al.
- D315,869 S 4/1991 Collett
- D331,880 S 12/1992 Wegner, IV et al.
- 5,261,543 A 11/1993 Ugarelli
- 5,337,909 A 8/1994 Vaillencourt
- D366,831 S 2/1996 Semersky et al.
- 5,704,503 A 1/1998 Krishnakumar et al.
- D393,802 S \* 4/1998 Collette et al. .... D9/502
- 5,735,420 A \* 4/1998 Nakamaki et al. .... 215/373
- 5,908,128 A 6/1999 Krishnakumar et al.
- 5,971,184 A 10/1999 Krishnakumar et al.
- 6,036,037 A 3/2000 Scheffer et al.
- D429,647 S 8/2000 Warner et al.
- D430,493 S \* 9/2000 Weick ..... D9/537
- D434,330 S \* 11/2000 Rowe et al. .... D9/538
- D445,033 S 7/2001 Bretz et al.
- D445,693 S \* 7/2001 Rashid ..... D9/538
- D457,066 S \* 5/2002 Weick ..... D9/538
- D465,158 S \* 11/2002 Peek et al. .... D9/538
- D466,021 S 11/2002 Thierjung et al.

- D469,358 S \* 1/2003 Bryant et al. .... D9/538
- D472,470 S 4/2003 Bretz et al.
- D474,977 S \* 5/2003 Yourist et al. .... D9/538
- D476,236 S 6/2003 Ungrady et al.
- 6,585,125 B1 \* 7/2003 Peek ..... 215/381
- D479,690 S \* 9/2003 DeGroff ..... D9/538
- D480,957 S \* 10/2003 Mooney et al. .... D9/656
- D485,765 S \* 1/2004 Thierjung et al. .... D9/538
- 6,763,963 B1 7/2004 Melrose et al.
- D494,475 S \* 8/2004 Thierjung et al. .... D9/538
- D497,551 S \* 10/2004 Gamel et al. .... D9/538
- D502,108 S \* 2/2005 Gamel et al. .... D9/538
- D502,877 S 3/2005 Stockwell et al.
- D503,625 S \* 4/2005 Nelson et al. .... D9/538
- 6,920,992 B2 7/2005 Lane et al.

(Continued)

*Primary Examiner*—Daniel Bui  
*Assistant Examiner*—Elizabeth J Oswecki  
(74) *Attorney, Agent, or Firm*—Brinks Hofer Gilson & Lione

(57) **CLAIM**

I claim the ornamental design for a container label panel, as shown and described.

**DESCRIPTION**

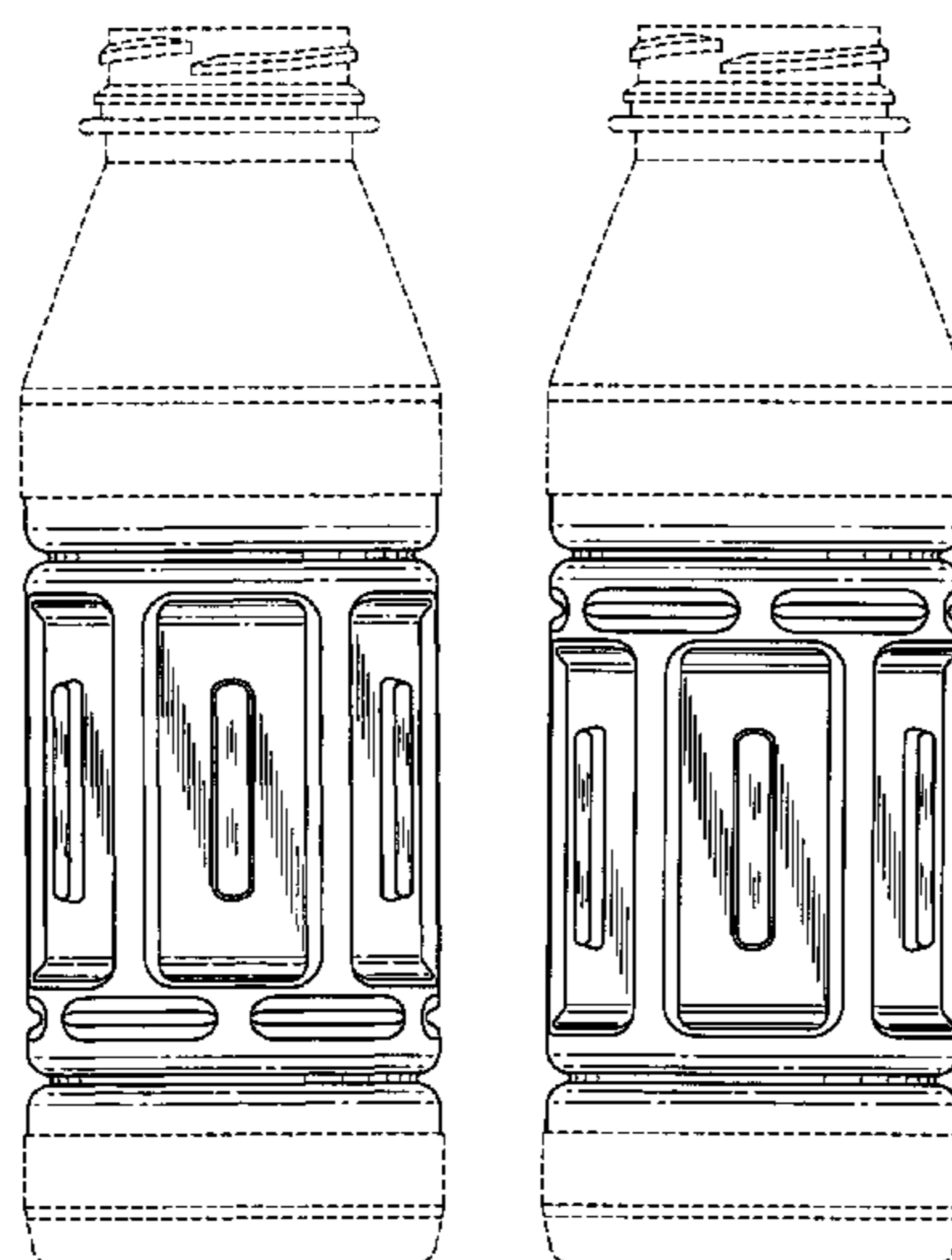
FIG. 1 is a side elevation view of the first embodiment of a container label panel showing my new design, the opposite side being a mirror image thereof;

FIG. 2 is an elevated perspective view of the opposite side of FIG. 1;

FIG. 3 is a side elevation view of the second embodiment of a container label panel shown in an inverted orientation; and, FIG. 4 is an elevated perspective view of the opposite side of FIG. 3.

The broken line showing of a container label panel is included for the purpose of illustration only and forms no part of the claimed design.

**1 Claim, 4 Drawing Sheets**



# US D555,499 S

Page 2

---

## U.S. PATENT DOCUMENTS

6,932,230	B2	8/2005	Pedmo et al.				
D525,530	S *	7/2006	Livingston et al. ....	D9/538			
D527,270	S *	8/2006	Ungrady .....	D9/538			
D532,693	S *	11/2006	Steih et al. ....	D9/516			
D538,660	S *	3/2007	Gatewood .....	D9/516			
D538,661	S *	3/2007	Wolf et al. ....	D9/516			
7,198,164	B2 *	4/2007	Yourist et al. ....	215/381			
D546,698	S *	7/2007	Riou .....	D9/541			
2005/0067370	A1 *	3/2005	Tanaka et al. ....	215/382			
2006/0186082	A1 *	8/2006	Gatewood et al. ....	215/381			

\* cited by examiner

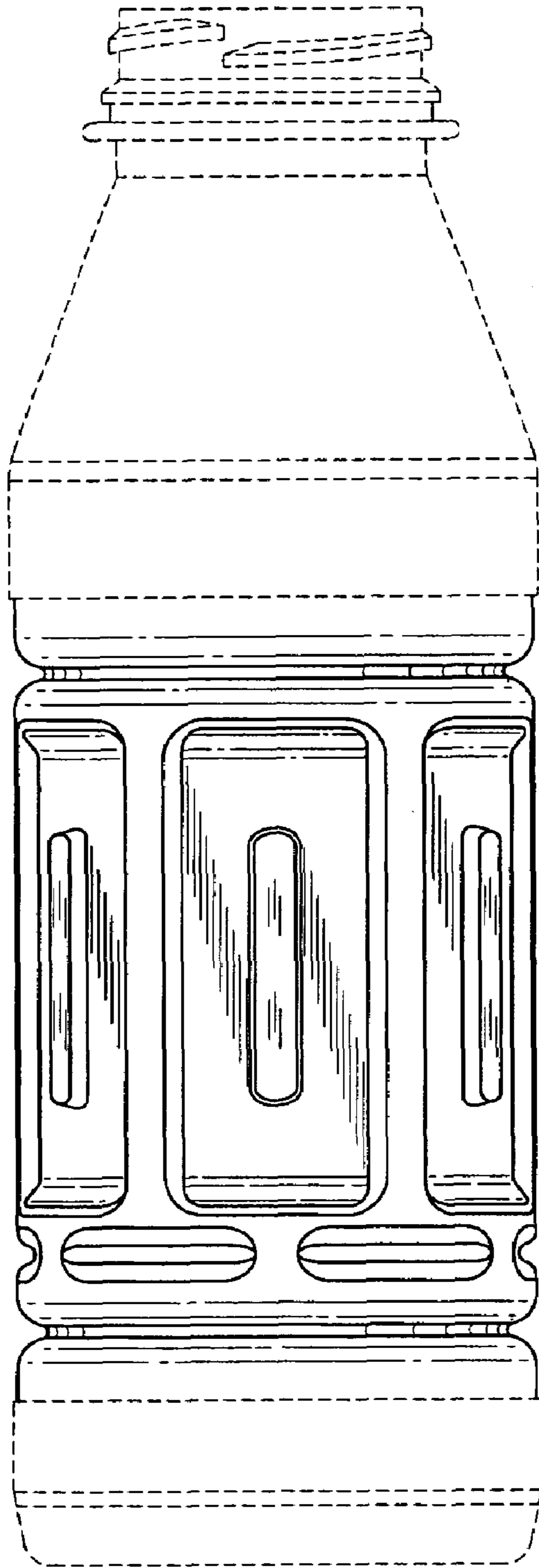


Fig. 1

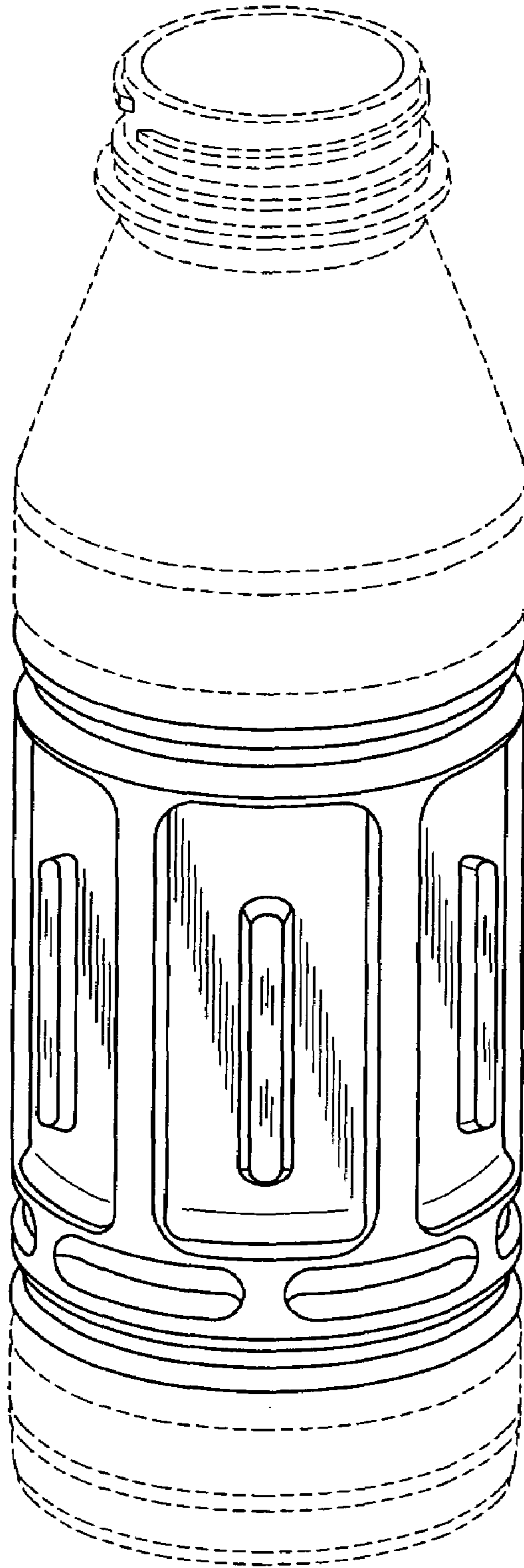


Fig. 2

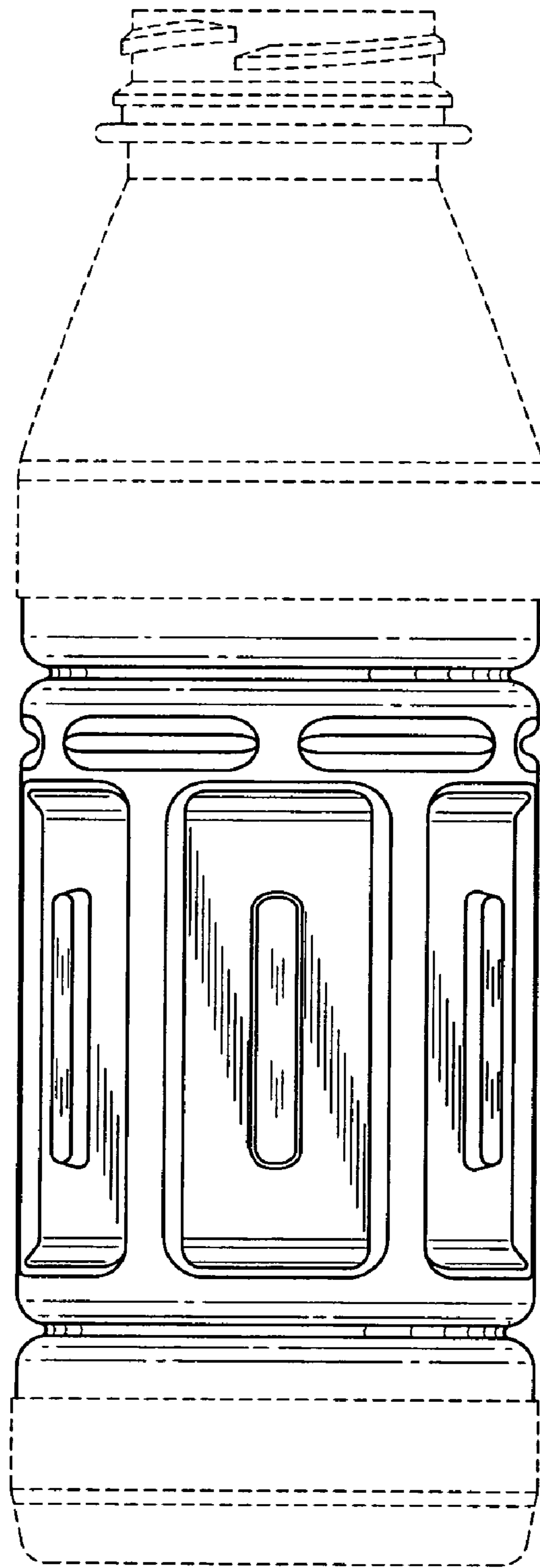


Fig. 3

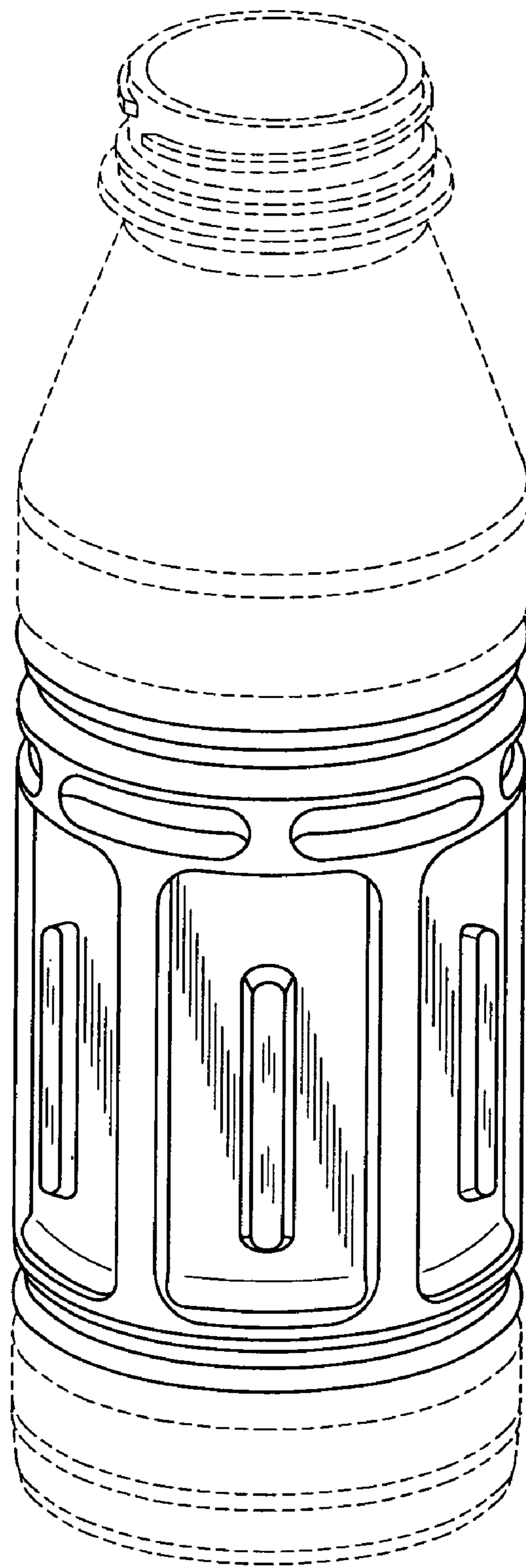


Fig. 4